

ide

GENERAL CATALOGUE



GENERAL CATALOGUE

1st EDITION 2021

IDE ELECTRIC, S.L.



Main Office

Leonardo da Vinci, 2
Pol. Ind. Los Huertos
E-50800 Zuera
Zaragoza (Spain)

Logistic Warehouse

Guttemberg, 48
Pol. Ind. Los Huertos
E-50800 Zuera
Zaragoza (Spain)

Telephone: +34 976 451 080**E-mail:** ide@ide.es**Web:** www.ide.es/eng

IDE ELECTRIC S.L.
www.ide.es



IDE is a company located in Zaragoza (Spain) which operates in the international electrical sector. It engages in the manufacture of plastic enclosures and metal cabinets for low-voltage electricity distribution and for the telecommunications sector. It also manufactures and markets power sockets for household and industrial use. All its series feature internationally-patented products.

Since it was founded in 1987, the company has been driven by innovation, quality and the technological development of its products and production processes.

This strategy of investing in ongoing improvement has led it to become one of the leading professional electrical material brands in the international electrical market.

The quality and the design of IDE's products, as well as the effective and personalised service it offers, has consolidated its position on the market with a loyal client portfolio.





Quality

IDE's products undergo regular quality controls such as glow-wire resistance, dust and watertightness, and resistance to impact.

These controls guarantee compliance with all the international quality and safety standards for the electricity market and allows it to be present as an approved supplier in highly industrialized and demanding sectors.



Safety, reliability and design for all environments

Our commitment

- **Quality:** investment in the continuous improvement of products and production processes.
- **Technical assistance:** personalised advice, technical assistance tools such as the CEC (Configurator of Electrical Cabinets) software and CAD drawings (DXF, PDF and STEP), etc.
- **Customisation:** solutions to meet the needs of specific installations.
- **Customer service:** guaranteed deadlines for production and delivery.
- **A wide catalogue:** over 3,500 standard items.
- **Distribution:** extensive national and international distribution network.

Our goal

- We focus on the quality of our products and on providing an efficient and reliable service.
- Personalised advice and technical assistance form part of a process of continuous improvement in our organisation.
- We are constantly improving the design of our products because we know how much image matters.

Available tools

CEC Panel set-up program

A powerful tool for configuring customised panels for every installation. It contains the full IDE catalogue and allows you to prepare complete quotations for metal cabinets and construction site panels, permitting the selection of all the accessories offered by IDE.



Through our website, www.ide.es, you will be able to subscribe to our CEC program.

Our website www.ide.es allows you to access all our products in just one click.

- Catalogues, technical data.
- Certificates.
- 2D and 3D drawings.
- Installation instructions.
- Applications and maintenance recommendations.
- Latest news and events.

Our R&D&I Department offers specialised and personalised technical advice.

You can use the export@ide.es email address for any technical queries you might have and send your RFQs for special assemblies, site panels or projects requiring particular specifications.



Custom solutions

Different designs for all sorts of requirements

- IDE's specialisation in plastic and metal enclosures means it can undertake custom projects for different end clients, providing special assemblies and metal cabinets to meet the specific needs of different installations.
- Our versatile manufacturing processes allow us to produce any type of assembly, cabinet or box at highly competitive prices and in short time frames.
- Sizes, shapes, cut-outs and colours all produced to meet the technical and quality standards of the most demanding markets.



Specialisation and technology within your reach



Our large engineering department can provide personalised technical advice.

Maintenance recommendations

Painted metal cabinets

Cabinets and accessories in the Argenta series meet the requirements of standard IEC 62208 for metallic enclosures that are to be installed outdoors.

Although standard IEC 62208 allows for a degree of rusting Ri1, in accordance with ISO 4628-3, and although in practice this degree of rusting does not affect the function or mechanical solidity of the enclosure, maintenance to avoid its aesthetic deterioration and to prolong its useful life is recommended.



Maintenance recommendations

- **Frequency:** Annual.
- **Visual inspection:** Detection of any harm to the surface such as scrapes or impacts that could have damaged the paint coating.
- **Initial signs of rust:** Due to scrapes, impacts or any other causes.
 - Remove the surface rust.
 - Abrade the surface rust to get rid of it completely.
- **Cleaning:** Clean the affected area with alcohol or an evaporating cleaner.
- **Paint:** Paint the affected surface with a synthetic paint.

Stainless steel cabinets

Due to its excellent strength, stainless steel is a material that is easy to keep in good condition, although there is a tendency to falsely believe that it is maintenance-free.

In order to preserve its inherent qualities, some minimum recommendations must be followed during its storage, handling and use. Together with the appropriate level of regular cleaning, this will allow it to remain in its original condition, maintaining its corrosion resistance, hygiene and appearance.



Maintenance recommendations

- The frequency of cleaning will depend on the environment to which the cabinet is exposed.
- Wash the surfaces with water and neutral soap until all the dirt has been cleaned off.
- Use cloths and/or sponges that will not scratch the stainless steel surface.
- Never forget to rinse well with water following all cleaning.
- Finishing by drying the cabinet to enhance the surfaces' appearance.
- Clean and dry following the direction of the polish lines.

What not to do:

We advise against doing any of the following:

- Do not use bleach.
- Never use any carbon steel tools in contact with stainless steel, as this will cause contamination from the steel and the immediate appearance of orangebrown rust on the stainless steel surfaces.



Maximum resistance and safety within your reach

Protection Rating

Degree of protection against solid objects

| IP | IP 0X | IP 1X | IP 2X | IP 3X | IP 4X | IP 5X | IP 6X |
|-----------------------|---------------|-------------------------------|-------------------------------|------------------------------|----------------------------|----------------|---------------------|
| Equipment protection | No protection | Solid objects above Ø 50 mm | Solid objects above Ø 12.5 mm | Solid objects above Ø 2.5 mm | Solid objects above Ø 1 mm | Dust tightness | Full dust tightness |
| Protection of persons | No protection | Unintended impact on the hand | Fingers | Tools and screws | Fine tools and small wires | Dust tightness | Full dust tightness |

Degree of watertightness

| IP X0 | IP X1 | IP X2 | IP X3 | IP X4 | IP X5 | IP X6 | IP X7 | IP X8 |
|-------|---------------------------------------------|----------------------------------------|----------------------------------------|-------------------------------------|---------------------------------|-------------------------------------|-----------|-------------------------------------------------------|
| | Vertical fall of water drops (condensation) | Water fall up to 15° from the vertical | Rain water up to 60° from the vertical | Water projection in every direction | Water thrown in every direction | Water thrown similar to a wave slap | Immersion | Prolonged effects of immersion in specific conditions |

Degree of protection against mechanical impact

| IK | IK 00 | IK 01 | IK 02 | IK 03 | IK 04 | IK 05 | IK 06 | IK 07 | IK 08 | IK 09 | IK 10 |
|-----------------------|---------------|-------|-------|-------|-------|-------|-------|-------|-------|-------|-------|
| Shock Energy (Joules) | No protection | 0,15 | 0,2 | 0,35 | 0,5 | 0,7 | 1 | 2 | 5 | 10 | 20 |

- IP XX: Protection of the enclosure against the entry of liquids and solid objects.
- IP XX: Degree of protection against the entry of solid objects (from 0 to 6).
- IP XX: Degree of watertightness (from 0 to 8).
- IK XX: Protection against mechanical impact.
- IK XX: Resistance to impact in Joules.

Industrial cabinets

Wall-mounting cabinets

Cabinets for industrial environments, available in different materials, degrees of protection and resistances, in order to meet the specific needs of each environment.



ARGENTA SERIES
IP66 Rolled steel cabinets

See page 18



ARGENTA INOX SERIES
304L and 316L stainless steel cabinets

See page 28



Industrial environments

Manufacturing companies that require a high degree of protection against dust, splattering and impacts.

Materials:

- Cold rolled steel primed and painted RAL 7035.
- Injected polyurethane sealing gasket.

Technical characteristics:

- Degree of protection: IP66 - NEMA 1, 4, 12 (single-door cabinets).
IP55 - NEMA 1, 12 (double-door cabinets).
- Resistance to impact: IK10.

Industrial environments with extremely aggressive agents or saline environments

Food, chemical and petrochemical industries, where a high degree of hygiene is required. Sea ports and areas with a high salt or chlorine concentration.

Materials:

- AISI 304L stainless steel (food environments).
- AISI 316L stainless steel (marine or chlorine environments).
- Injected polyurethane sealing gasket.

Technical characteristics:

- Degree of protection: IP66 - NEMA 1, 4, 4x, 12 (single-door cabinets).
IP55 - NEMA 1, 12 (double-door cabinets).
- Resistance to impact: IK10.

A specific product for each environment



ARGENTA ATEX SERIES

Rolled steel and AISI 304L & 316L stainless steel ATEX cabinets

See page 64



GLASS SERIES

IP66-IP55 Polyester cabinets

See page 86



Environments with potentially explosive atmospheres

Hazardous areas with the possibility of explosive atmosphere due to the presence of flammable gases, vapours, mists or dust in which an explosion may occur after ignition.

Rolled steel (RAL 7035 grey):

- Degree of protection: IP66 - NEMA 1, 4, 12.
- Resistance to impact: IK10.
- ATEX Classification: II 2GD-Ex eb IIC Gb - Ex tb IIIC Db.
- Certified by LOM: Cabinets with injected polyurethane sealing gasket (-25 °C / +60 °C).

Stainless Steel (AISI 304L & 316L):

- Degree of protection: IP66 - NEMA 1, 4, 4x, 12.
- Resistance to impact: IK10.
- ATEX Classification: II 2GD-Ex eb IIC Gb - Ex tb IIIC Db.
- Certified by DEKRA: Cabinets with injected silicone rubber sealing gasket (-55 °C / +100 °C).



Outdoor facilities and industrial environments

Chemical and pharmaceutical industries, transformer sub-stations and outdoor areas where durability and resistance against chemicals and UV rays are necessary.

Materials:

- Fibreglass-reinforced hot pressed polyester.
- Colour: Grey RAL 7035.

Technical characteristics:

- Degree of protection: IP66 / IP55.
- Resistance to impact: IK10 / IK08.

Watertight boxes for the industrial sector

Watertight boxes

Designed for industrial and outdoor use where enclosures with a high level of protection and safety are required. For the solar power sector, chemical industries, marine environments, swimming pools, warehouses, garages, etc.



STAR SERIES

IP65 Boxes for power sockets

See page 246



ECOLOGY SERIES

IP65 Distribution boxes

See page 260



Technical characteristics:

- Degree of protection: IP65.
- Capacity of 4, 6, 9, 12, 18, 24, 36 modules and extension module.
- Possibility of plain boxes and boxes with knock-out covers, offering maximum versatility.
- Base and frame in grey ABS RAL 7035.
- Transparent window in tinted PC.
- Halogen-free plastic materials, with UV protection.



Technical characteristics:

- Degree of protection: IP65.
- Capacity from 4 to 54 modules.
- ABS and polycarbonate versions, grey RAL 7035.
- Transparent window in tinted PC.
- Halogen-free plastic materials, with UV protection.

ECO-STAR SYSTEM

Combined with each other, they offer the installer the most versatile internationally-certified solution to combine distribution boxes (ECOLOGY) and units for power sockets (STAR).



Boxes to be installed where a high degree of safety and protection is required



PRYMA SERIES

IP67 Boxes for industrial sockets

See page 238



LIGHT SERIES

IP65-IP67 Junction boxes

See page 272



Watertight boxes for industrial sockets. Boxes intended to the industrial sector with a maximum degree of protection, IP67.

Technical characteristics:

- Degree of protection: IP67 (both in the box and in the power sockets).
- Capacity of 9, 13 and 26 modules.
- Base and frame in grey ABS, RAL 7035.
- Transparent window in tinted PC.
- Halogen-free plastic materials, with UV protection.



Boxes intended for electrical junctions or for watertight trunking boxes, in industrial environments.

Technical characteristics:

- Surface watertight boxes available in three different versions:
 - With conical cable glands (IP65).
 - With knock-out sides (IP65-IP67).
 - With plain sides (IP65-IP67).
- Special assemblies with power sockets can be supplied.
- Base and cover in PS and cable glands in PVC, RAL 7035.
- Opaque or transparent cover.
- Halogen-free plastic materials.
- This series is completed with the motor-protection with high cover.

IDE Worldwide













IDE is present in more than 70 countries, exporting more than half of its turnover

IDE is present in more than 70 countries, exporting more than half of its turnover.

The presence in international fairs allows it to establish and consolidate the commercial ties necessary to continue with its expansion policy.







Industrial cabinets and enclosures

| | | |
|-----------------------------------------------------------------------------------------------|---------------------------------------------------------------------------------------|------------|
| IP66 ROLLED STEEL WALL-MOUNTING CABINETS |  | 20 |
| IP66 STAINLESS STEEL WALL-MOUNTING CABINETS | | 28 |
| ARGENTA | | 18 |
| IP66 ROLLED STEEL TERMINAL BOXES |  | 52 |
| IP66 STAINLESS STEEL TERMINAL BOXES | | 56 |
| TECNO | | 50 |
| IP66 ROLLED STEEL WALL-MOUNTING CABINETS (ARGENTA ATEX) |  | 68 |
| IP66 STAINLESS STEEL WALL-MOUNTING CABINETS (ARGENTA ATEX) | | 72 |
| IP66 STAINLESS STEEL TERMINAL BOXES (TECNO ATEX) | | 76 |
|  ATEX | | 64 |
| IP66 POLYESTER WALL-MOUNTING CABINETS |  | 90 |
| IP55 POLYESTER WALL-MOUNTING CABINETS | | 92 |
| GLASS | | 86 |
| IP66 POLYESTER DOUBLE INSULATION BOXES |  | 98 |
| ROC | | 98 |
| IP55-IP65 STEEL FLOOR-STANDING COMPACT CABINETS (BIG) |  | 108 |
| IP65 STAINLESS STEEL FLOOR-STANDING COMPACT CABINETS (BIG INOX) | | 112 |
| IP55-IP65 STEEL FLOOR-STANDING SEMI-COMPACT CABINETS (FSC) | | 120 |
| IP55 STEEL FLOOR-STANDING COMBINABLE CABINETS (ENL) | | 126 |
| IP55 PC CONTROL CABINET | | 136 |
| ARGENTA PLUS | | 106 |
| IP55 STEEL CONTROL DESKS |  | 166 |
| BALTIC | | 166 |
| THERMAL MANAGEMENT |  | 176 |
| INSTALLATION COMPONENTS |  | 222 |

INDEX






Industrial Plastic Boxes

| | | |
|--------------------------------------------------|-------------------------------------------------------------------------------------|------------|
| IP67 BOXES FOR INDUSTRIAL SOCKETS |  | 240 |
| PRYMA COMPLET: COMBINATION UNITS | | 244 |
| PRYMA | | 238 |
| IP65 BOXES FOR INDUSTRIAL SOCKETS | | 248 |
| IP65 BOXES WITH KNOCK-OUT LIDS |  | 252 |
| STAR COMPLET: COMBINATION UNITS | | 258 |
| STAR | | 246 |
| IP65 DISTRIBUTION BOXES |  | |
| ECOLOGY | | 260 |
| IP65-IP67 JUNCTION BOXES | | 274 |
| LIGHT COMPLET: JUNCTION BOXES WITH POWER SOCKETS |  | 280 |
| LIGHT | | 272 |

Tertiary Sector

| | | |
|-------------------------------------------------------------------------------|---------------------------------------------------------------------------------------|------------|
| SMALL DISTRIBUTION BOXES |  | 284 |
| IP40 SURFACE DISTRIBUTION BOXES | | 290 |
| IP40 FLUSH-FIT DISTRIBUTION BOXES (HOLLOW AND BRICK WALLS) |  | 296 |
| GOLD | | 288 |
| IP40 FLUSH-FIT DISTRIBUTION BOXES WITH STEEL DOOR (HOLLOW AND BRICK WALLS) |  | |
| SILVER | | 306 |
| IP30-IP40 COMBINABLE STEEL SURFACE DISTRIBUTION CABINETS | | 315 |
| IP40 COMPACT STEEL SURFACE DISTRIBUTION CABINETS | | 316 |
| IP65 COMPACT STEEL SURFACE DISTRIBUTION CABINETS |  | 316 |
| IP40 STEEL FLUSH-FIT DISTRIBUTION CABINETS | | 317 |
| (48-192 MODULES) ATLANTIC | | 312 |
| IP40 COMBINABLE STEEL DISTRIBUTION CABINETS | | 335 |
| IP55 COMPACT STEEL DISTRIBUTION CABINETS |  | 336 |
| (192-288 MODULES) ATLANTIC PLUS | | 332 |

Plastic boxes: Residential Sector

| | | |
|----------------------------------------------------------------------|-------------------------------------------------------------------------------------|------------|
| IP40 FLUSH-FIT DISTRIBUTION BOXES DIAMANT |  | 348 |
| FLUSH-FIT WIRING AND JUNCTION BOXES (HOLLOW WALLS) DOMOS-K |  | 356 |
| FLUSH-FIT WIRING AND JUNCTION BOXES (BRICK WALLS) DOMOS |  | 362 |
| IP40-IP55 SURFACE BOXES AND MECHANISMS VERDI |  | 368 |
| BOXES FOR ELECTRICAL COMPONENTS AMERICAN |  | 374 |

Industrial power sockets 50/60 Hz

| | | |
|-------------------------------------------|---------------------------------------------------------------------------------------|------------|
| MUNDIAL | | 378 |
| IP44-IP54-IP67-IP68 SCHUKO-TYPE |  | 382 |
| IP44-IP67 LOW VOLTAGE |  | 390 |
| IP44-IP67 INTERLOCKING |  | 402 |
| IP44 EXTRA LOW VOLTAGE |  | 406 |
| PACKING UNITS | | 410 |
| QUICK SEARCH | | 423 |
| CONDITIONS OF SALE | | 444 |





Industrial cabinets and enclosures
STEEL AND POLYESTER

ARGENTA
TECNO
ATEX
GLASS
ROC
ARGENTA PLUS
BALTIC
THERMAL MANAGEMENT
INSTALLATION COMPONENTS

ARGENTA



IP66 Steel wall-mounting cabinets

The ARGENTA Series is a group of steel enclosures used to house electrical or electronic switchgear, control gear and equipment necessary to supply, distribute and transform electricity in industrial installations.

This series comprises an extensive range of standard models made with premium-quality materials in cold-rolled steel plate or stainless steel. Both of these materials are available in ATEX version and are intended for installation in potentially explosive atmospheres. (See the specific section on page 68).

The design and manufacture of this product line is flexible and can be customized for settings that require specific dimensions depending on user requirements and installations.

The full range is accompanied by a set of complementary accessories: mounting plates, inner doors, canopies, eyebolts, ventilation systems, chassis, etc.



ARGENTA Technical Specifications (Rolled steel)

- **Degree of protection:**
Single-door cabinets: IP66 / NEMA 1, 12, 4.
Double-door cabinets: IP55 / NEMA 1, 12.
- **Resistance to impact:**
Opaque door: IK10.
Transparent door: IK09.
- **Ambient temperature range:** -25 °C / +40 °C.
- **Maximum rated operating voltage:** 1000 V AC / 1500 V DC.
(See references on page 22)

ARGENTA INOX Technical Specifications (Stainless steel)

- **Degree of protection:**
Single-door cabinets: IP66 / NEMA 1, 4, 4x, 12.
Double-door cabinets: IP55 / NEMA 1, 12.
- **Resistance to impact:**
Opaque door: IK10.
Transparent door: IK09.
- **Ambient temperature range:** -25 °C / +40 °C.
- **Maximum rated operating voltage:** 1000 V AC / 1500 V DC.
(See references on page 30)

ARGENTA Certifications (Rolled steel)



Compliant with the Low Voltage Directive 2014/35/EU.
Standards: UNE-EN 62208 and UNE-EN 61439-1
(as applicable).
UL508A and Gost-R certificates.
Bureau Veritas according to UNE-EN 62208 standards.
Certificate for boats.
VDE Certificate available for single-door cabinets.

ARGENTA INOX Certifications (Stainless steel)



Compliant with the Low Voltage Directive 2014/35/EU.
Standards: UNE-EN 62208 and UNE-EN 61439-1
(as applicable).
UL508A Certificate.
VDE Certificate available for single-door cabinets.

ARGENTA

IP66 rolled steel wall-mounting cabinets



Product series (Rolled steel)

Standard

- Opaque door cabinets with mounting plate.
- Transparent single-door cabinets with mounting plate (add GNT to the reference).

To order

- Opaque door cabinets without mounting plate (add /SP to the standard reference).
- Special cabinets, dimensions, cut-outs, colours, etc.

Supply

- Supplied in individual packaging containing cabinet, plate and accessory bag.

Plain mounting plate

- For cabinets with a height of up to 700 mm they are supplied unassembled inside the packaging.
- For cabinets with a height of up to 800 mm and above they are supplied assembled.

Accessory bag:

- 4 watertight caps (if the wall-mounting cut-out holes are not used).
- Nut and washer kit for securing the earth wire.
- Plate height adjusters, nuts, washers and drainage caps.
- Key.
- Cable entry lid and fixing screws.
- Assembly instructions.

Intended for industrial facilities, wherever a high degree of protection and safety is required

Material

- Cold-rolled steel EN 10130+A1.
- Injected polyurethane sealing gasket.

Finish

- Coated with primer and hardened RAL 7035 embossed polyester paint, with UV protection.

Protection

- Corrosion resistance according to the UNE-EN 62208 standard. For outdoor installations the use of a canopy is recommended. The effect of corrosion must be taken into consideration.

Standard painting cycle

- **Degreasing:** Removal of remains of contaminants by means of a neutral stripper and tensoactive concentrate.
- **Rinsing:** Two rinses, the first one with mains water and the second one with demineralised water.
- **Passivation:** Thin-coat conversion agent.
- **Drying:** With hot air (in a tunnel at 100 °C).
- **Primer painting:** Application of a first layer of antioxidant protection primer paint.
- **First firing:** Furnace polymerisation adherence at 170 °C for 10 min.
- **Painting:** Coated with hardened RAL 7035 polyester paint.
- **Firing:** Furnace polymerisation adherence at 180 °C for 15-20 min.



Enclosure

- Manufactured in cold-rolled steel from a single cross-shaped part.
- Totally reversible cabinet.
- Sheet thickness:
 - 1.2 mm for cabinets from 250x200 to 600x500.
 - 1.5 mm for cabinets from 600x600 to 1400x1000 mm.
- Wall-mounting by means of four Ø9 mm cut-out holes.
- Wall-mounting support leaving a gap of 11 mm (supplied as an accessory).
- Four M8x25 bolts at the back of the cabinet for securing plates, adjustment elements or chassis.
- M6x10 earth bolt located on the cabinet wall for joining enclosure and door by means of earth wire.
- 2-mm thick cable entry lid with sealing gasket to guarantee IP protection.
- Double fold to prevent water from entering the cabinet.
- Drainage hole at the base of the cabinet to prevent condensation on the inside.

Door

- Possibility of opaque or transparent door with 110° reversible opening.
- Possibility of double door as of a width of 1000 mm.
- Concealed and removal hinges with quick-assembly and disassembly pins.
- Sheet thickness on opaque doors:
 - 1.2 mm for cabinets from 250x200 to 600x400 mm.
 - 1.5 mm for cabinets from 600x500 to 800x1000 mm.
 - 2 mm for cabinets from 800x1200 to 1400x1000 mm.
- Transparent glass door:
 - 4-mm thick tempered glass in cabinets from 300x400 to 1200x1200 mm.
 - 3-mm thick Polycarbonate in cabinets from 250x200 to 300x300 mm.
- Injected polyurethane sealing gasket to guarantee IP protection.
- Welded reinforcement profiles with cut-out holes with a separation of 25 mm for fitting accessories.
- Door centring device included in cabinets with a height of 600 mm and greater.



Locking

- Standard 5-mm double-bit lock plus key.
- Three-point rod lock for cabinets with a height of 1000 mm or greater.
- Other types of locks supplied as accessories.

Mounting plate

- Flat mounting plate included in all cabinet references.
- Made from galvanised sheet steel with a thickness of 2 mm.
- For cabinets with a height of 600 mm or greater, the plates have folds on the sides to provide greater rigidity.



IP66 opaque single-door cabinets. Rolled steel

| Reference No. | Dim. cabinet | Dim. plate | Sheet thickness | | Cable entry | No. locks | No. hinges | Reinf. prof. | Door with transparent panel | Weight KG | Power dissipation according to temperature increase °C P(W)* | | | | |
|---------------|---------------|------------|-----------------|-----|-------------|-----------|------------|--------------|-----------------------------|-----------|--------------------------------------------------------------|--------|--------|--------|--------|
| | (AXBXC) | (AXB) | E | D | (DXE) | | | | H X W | | 20 | 25 | 30 | 35 | 40 |
| GN808030 | 800x800x300 | 770x750 | 1.5 | 1.5 | 125x685 | 2 | 3 | 2 | 697x649 | 41.1 | 183.04 | 228.80 | 274.56 | 320.32 | 366.08 |
| GN808040 | 800x800x400 | 770x750 | 1.5 | 1.5 | 125x685 | 2 | 3 | 2 | 697x649 | 45.1 | 211.20 | 264.00 | 316.80 | 369.60 | 422.40 |
| GN8010030 | 800x1000x300 | 770x950 | 1.5 | 1.5 | 125x885 | 2 | 3 | 4 | 697x849 | 50.1 | 216.92 | 271.15 | 325.38 | 379.61 | 433.84 |
| GN1006025 | 1000x600x250 | 970x550 | 1.5 | 2 | 125x485 | 3P | 3 | 2 | 897x419 | 40.1 | 165.00 | 206.25 | 247.50 | 288.75 | 330.00 |
| GN1006030 | 1000x600x300 | 970x550 | 1.5 | 2 | 125x485 | 3P | 3 | 2 | 897x419 | 42.2 | 179.52 | 224.40 | 269.28 | 314.16 | 359.04 |
| GN1006040 | 1000x600x400 | 970x550 | 1.5 | 2 | 125x485 | 3P | 3 | 2 | 897x419 | 46.2 | 208.56 | 260.70 | 312.84 | 364.98 | 417.12 |
| GN1008025 | 1000x800x250 | 970x750 | 1.5 | 2 | 125x685 | 3P | 3 | 2 | 897x619 | 50.8 | 203.50 | 254.38 | 305.25 | 356.13 | 407.00 |
| GN1008030 | 1000x800x300 | 970x750 | 1.5 | 2 | 125x685 | 3P | 3 | 2 | 897x619 | 53.1 | 219.56 | 274.45 | 329.34 | 384.23 | 439.12 |
| GN1008040 | 1000x800x400 | 970x750 | 1.5 | 2 | 125x685 | 3P | 3 | 2 | 897x619 | 57.8 | 251.68 | 314.60 | 377.52 | 440.44 | 503.36 |
| GN10010030 | 1000x1000x300 | 970x950 | 1.5 | 1.5 | 125x885 | 3P | 3 | 4 | 897x819 | 60.6 | 259.60 | 324.50 | 389.40 | 454.30 | 519.20 |
| GN1206025 | 1200x600x250 | 1170x550 | 1.5 | 2 | 125x485 | 3P | 3 | 2 | 1097x419 | 47.1 | 193.38 | 241.73 | 290.07 | 338.42 | 386.76 |
| GN1206030 | 1200x600x300 | 1170x550 | 1.5 | 2 | 125x485 | 3P | 3 | 2 | 1097x419 | 49.4 | 209.88 | 262.35 | 314.82 | 367.29 | 419.76 |
| GN1206040 | 1200x600x400 | 1170x550 | 1.5 | 2 | 125x485 | 3P | 3 | 2 | 1097x419 | 53.8 | 242.88 | 303.60 | 364.32 | 425.04 | 485.76 |
| GN1208030 | 1200x800x300 | 1170x750 | 1.5 | 2 | 125x685 | 3P | 3 | 2 | 1097x619 | 62.1 | 256.08 | 320.10 | 384.12 | 448.14 | 512.16 |
| GN1208040 | 1200x800x400 | 1170x750 | 1.5 | 2 | 125x685 | 3P | 3 | 2 | 1097x619 | 67.5 | 292.16 | 365.20 | 438.24 | 511.28 | 584.32 |
| GN1209030 | 1200x900x285 | 1170x850 | 1.5 | 2 | 125x685 | 3P | 3 | 2 | 1097x719 | 67.4 | 271.66 | 339.57 | 407.48 | 475.40 | 543.31 |
| GN12010030 | 1200x1000x300 | 1170x950 | 1.5 | 1.5 | 125x885 | 3P | 3 | 4 | 1097x819 | 70.7 | 302.28 | 377.85 | 453.42 | 528.99 | 604.56 |
| GN12012025 | 1200x1200x250 | 1170x1150 | 1.5 | 1.5 | 2x(125x485) | 3P | 3 | 4 | 1097x1019 | 79.6 | 327.36 | 409.20 | 491.04 | 572.88 | 654.72 |
| GN1406030 | 1400x600x300 | 1370x550 | 1.5 | 1.5 | 125x485 | 3P | 3 | 2 | 1297x419 | 53.0 | 240.20 | 300.30 | 360.40 | 420.40 | 480.50 |
| GN1406040 | 1400x600x400 | 1370x550 | 1.5 | 1.5 | 125x485 | 3P | 3 | 2 | 1297x419 | 58.3 | 277.20 | 346.50 | 415.80 | 485.10 | 554.40 |
| GN1408030 | 1400x800x300 | 1370x750 | 1.5 | 1.5 | 125x685 | 3P | 3 | 2 | 1297x619 | 66.4 | 292.60 | 365.80 | 438.90 | 512.10 | 585.20 |
| GN1408040 | 1400x800x400 | 1370x750 | 1.5 | 1.5 | 125x685 | 3P | 3 | 2 | 1297x619 | 72.3 | 332.60 | 415.80 | 499.00 | 582.10 | 665.30 |
| GN14010040 | 1400x1000x400 | 1370x950 | 1.5 | 1.5 | 125x885 | 3P | 3 | 4 | 1297x819 | 93.1 | 388.10 | 485.10 | 582.10 | 679.00 | 776.20 |

Single-door cabinets: IP66 / NEMA 1, 4, 12.

Cold rolled steel primed and painted RAL 7035.

Injected polyurethane sealing gasket.

3P: one 3-point lock.

Cabinets supplied with mounting plate. For references without plate, add /SP; e.g.: GN403015/SP.

Pack of 4 plate height adjusters supplied in all references, even in those without plate /SP.

For references with transparent door, add GNT; e.g.: GNT403015.

Transparent doors from 250x200 to 300x300 mm: 3-mm thick Polycarbonate.

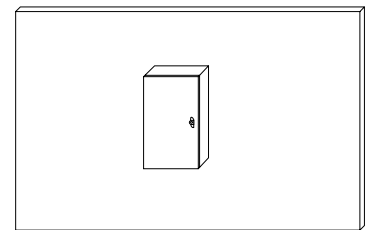
Transparent doors from 300x400 to 1400x1000 mm: 4-mm thick tempered glass.

For special cabinets, cabinets without plate, and cabinets with transparent door, check availability of UL certificate.

* Calculations obtained according to the CEI 890:1997 standard + Corrigendum 1998; "Method of temperature-rise assessment by extrapolation for partially type-tested assemblies (PTTA) of low-voltage switchgear and control gear".

SEE DIMENSIONS ON [PAGE 25](#).

SEE ACCESSORIES ON [PAGE 32](#).



Opaque door cabinets

Transparent door cabinet

ARGENTA

IP66 rolled steel wall-mounting cabinets

IP55 opaque double-door cabinets. Rolled steel

| Reference No. | Dim. cabinet | Dim. plate | Sheet thickness | | Cable entry [DXE] | No. locks | No. hinges | Reinf. prof. | Door with transparent panel | Weight KG | Power dissipation according to temperature increase °C P(W)* | | | | |
|---------------|---------------|------------|-----------------|-----|-------------------|-----------|------------|--------------|-----------------------------|-----------|--------------------------------------------------------------|--------|--------|--------|--------|
| | [AXBXC] | [AXB] | E | D | | | | | H X W | | 20 | 25 | 30 | 35 | 40 |
| GN5010025/PD | 500x1000x250 | 470x950 | 1.5 | 1.5 | 125x885 | 3P | 2 | 2 | - | 32.9 | 140.30 | 175.30 | 210.40 | 245.40 | 280.50 |
| GN5010030/PD | 500x1000x300 | 470x950 | 1.5 | 1.5 | 125x885 | 3P | 2 | 2 | - | 35.5 | 152.90 | 191.10 | 229.40 | 267.60 | 305.80 |
| GN6012025/PD | 600x1200x250 | 570x1150 | 1.5 | 1.5 | 2x(125x485) | 3P | 2 | 2 | - | 44.7 | 186.80 | 233.50 | 280.20 | 326.90 | 373.60 |
| GN6012030/PD | 600x1200x300 | 570x1150 | 1.5 | 1.5 | 2x(125x485) | 3P | 2 | 2 | - | 47.6 | 202.00 | 252.50 | 302.90 | 353.40 | 403.90 |
| GN8010020/PD | 800x1000x200 | 770x950 | 1.5 | 1.5 | 125x885 | 3P | 3 | 2 | - | 46.3 | 185.68 | 232.10 | 278.52 | 324.94 | 371.36 |
| GN8010030/PD | 800x1000x300 | 770x950 | 1.5 | 1.5 | 125x885 | 3P | 3 | 2 | - | 51.1 | 216.92 | 271.15 | 325.38 | 379.61 | 433.84 |
| GN8010040/PD | 800x1000x400 | 770x950 | 1.5 | 1.5 | 125x885 | 3P | 3 | 2 | - | 55.8 | 248.16 | 310.20 | 372.24 | 434.28 | 496.32 |
| GN8012030/PD | 800x1200x300 | 770x1150 | 1.5 | 1.5 | 2x(125x485) | 3P | 3 | 2 | - | 59.6 | 250.80 | 313.50 | 376.20 | 438.90 | 501.60 |
| GN8012040/PD | 800x1200x400 | 770x1150 | 1.5 | 1.5 | 2x(125x485) | 3P | 3 | 2 | - | 64.9 | 285.12 | 356.40 | 427.68 | 498.96 | 570.24 |
| GN10010030/PD | 1000x1000x300 | 970x950 | 1.5 | 2 | 125x885 | 3P | 3 | 2 | - | 65.7 | 259.60 | 324.50 | 389.40 | 454.30 | 519.20 |
| GN10010040/PD | 1000x1000x400 | 970x950 | 1.5 | 2 | 125x885 | 3P | 3 | 2 | - | 70.9 | 294.80 | 368.50 | 442.20 | 515.90 | 589.60 |
| GN10012030/PD | 1000x1200x300 | 970x1150 | 1.5 | 2 | 2x(125x485) | 3P | 3 | 2 | - | 76.7 | 299.64 | 374.55 | 449.46 | 524.37 | 599.28 |
| GN10012040/PD | 1000x1200x400 | 970x1150 | 1.5 | 2 | 2x(125x485) | 3P | 3 | 2 | - | 82.4 | 337.92 | 422.40 | 506.88 | 591.36 | 675.84 |
| GN12010030/PD | 1200x1000x300 | 1170x950 | 1.5 | 2 | 125x885 | 3P | 3 | 2 | - | 76.8 | 302.28 | 377.85 | 453.42 | 528.99 | 604.56 |
| GN12010040/PD | 1200x1000x400 | 1170x950 | 1.5 | 2 | 125x885 | 3P | 3 | 2 | - | 82.6 | 341.44 | 426.80 | 512.16 | 597.52 | 682.88 |
| GN12012025/PD | 1200x1200x250 | 1170x1150 | 1.5 | 2 | 2x(125x485) | 3P | 3 | 2 | - | 86.5 | 327.36 | 409.20 | 491.04 | 572.88 | 654.72 |
| GN12012030/PD | 1200x1200x300 | 1170x1150 | 1.5 | 2 | 2x(125x485) | 3P | 3 | 2 | - | 89.3 | 348.48 | 435.60 | 522.72 | 609.84 | 696.96 |
| GN12012040/PD | 1200x1200x400 | 1170x1150 | 1.5 | 2 | 2x(125x485) | 3P | 3 | 2 | - | 95.9 | 390.72 | 488.40 | 586.08 | 683.76 | 781.44 |
| GN14010030/PD | 1400x1000x300 | 1370x950 | 1.5 | 2 | 125x885 | 3P | 3 | 2 | - | 87.6 | 344.96 | 431.20 | 517.44 | 603.68 | 689.92 |
| GN14010040/PD | 1400x1000x400 | 1370x950 | 1.5 | 2 | 125x885 | 3P | 3 | 2 | - | 100.5 | 388.08 | 485.10 | 582.12 | 679.14 | 776.16 |
| GN14012040/PD | 1400x1200x400 | 1370x950 | 1.5 | 2 | 2x(125x485) | 3P | 3 | 2 | - | 115.2 | 443.50 | 554.40 | 665.30 | 776.20 | 887.00 |

Double-door cabinets: IP55 / NEMA 1, 12.

Cold rolled steel primed and painted RAL 7035.

Injected polyurethane sealing gasket.

3P: one 3-point lock.

Cabinets supplied with mounting plate. For references without mounting plate, add /SP; e.g.: GN6012030PD/SP.

Pack of 4 plate height adjusters supplied in all references, even in those without plate /SP.

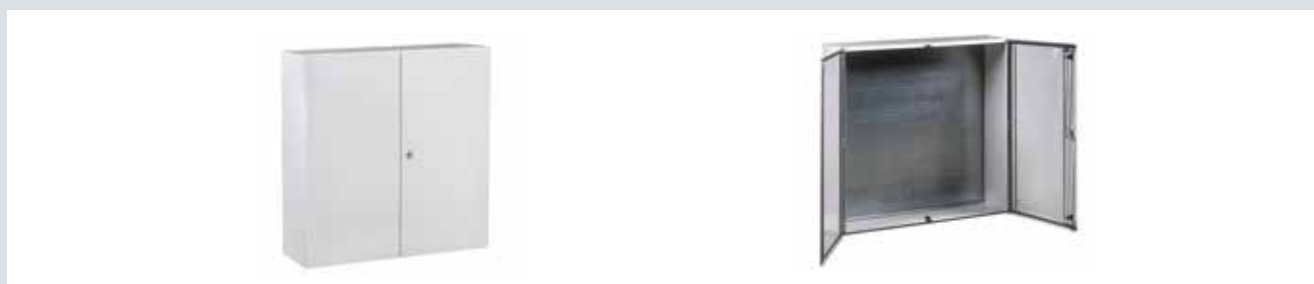
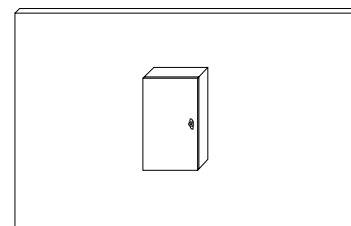
VDE certificate only available for single-door cabinets.

For special cabinets and cabinets without plate, check availability of UL certificate.

* Calculations obtained according to the CEI 890:1997 standard + Corrigendum 1998; "Method of temperature-rise assessment by extrapolation for partially type-tested assemblies (PTTA) of low-voltage switchgear and control gear".

SEE DIMENSIONS ON PAGE 25.

SEE ACCESSORIES ON PAGE 32.



Opaque double-door cabinets

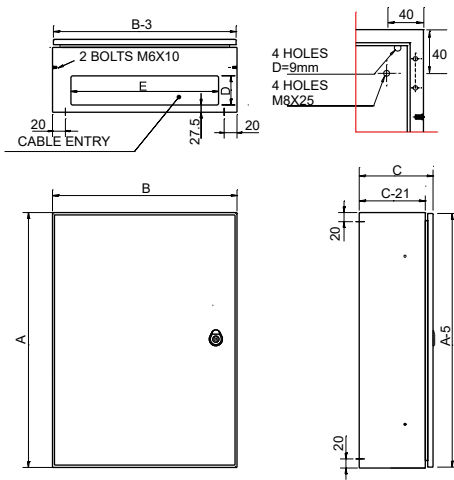


Maximum acceptable loads

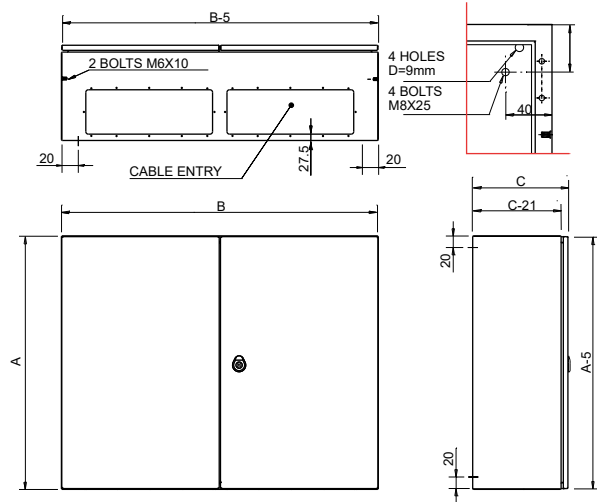
| | Total load | Door | Plate |
|---------------------------------------------|------------|-------|--------|
| Cabinets from 250x200x150 to 300x300x200 | 150 kg | 25 kg | 125 kg |
| Cabinets from 300x400x150 to 400x300x200 | 175 kg | 25 kg | 150 kg |
| Cabinets from 400x400x150 to 600x400x300 | 225 kg | 25 kg | 200 kg |
| Cabinets from 600x500x150 to 700x500x300 | 275 kg | 25 kg | 250 kg |
| Cabinets from 800x400x200 to 800x800x400 | 325 kg | 25 kg | 300 kg |
| Cabinets from 800x1000x300 to 1400x1200x400 | 390 kg | 40 kg | 350 kg |

Dimensions: Argenta rolled steel

Single door



Double door



ARGENTA

IP66 rolled steel wall-mounting cabinets

IP54 combinable cabinets. Rolled steel

| Reference | Dim. cabinet | Dim. plate | Sheet thickness | | No. locks | No. hinges | Reinf. profiles | Weight | Power dissipation according to temperature increase °C P(W)* | | | | |
|-------------------|--------------|----------------|-----------------|------|-----------|------------|-----------------|--------|--------------------------------------------------------------|-------|-------|-------|-------|
| | H X W X D | HEIGHT X WIDTH | ENCL. | DOOR | | | | | KG | 20 | 25 | 30 | 35 |
| GNL605040 | 600x500x400 | 570x450 | 1.5 | 1.5 | 3P | 2 | 2 | 21.2 | 114.0 | 142.5 | 170.9 | 199.4 | 227.9 |
| GNL606040 | 600x600x400 | 570x550 | 1.5 | 1.5 | 3P | 2 | 2 | 24.8 | 129.4 | 161.7 | 194.0 | 226.4 | 258.7 |
| GNL608040 | 600x800x400 | 570x750 | 1.5 | 1.5 | 3P | 2 | 2 | 32.0 | 160.2 | 200.2 | 240.2 | 280.3 | 320.3 |
| GNL6010040 | 600x1000x400 | 570x950 | 1.5 | 1.5 | 3P | 4 | 4 | 40.2 | 191.0 | 238.7 | 286.4 | 334.2 | 381.9 |
| GNL6012040 | 600x1200x400 | 570x1150 | 1.5 | 1.5 | 3P | 4 | 4 | 47.3 | 221.8 | 277.2 | 332.6 | 388.1 | 443.5 |

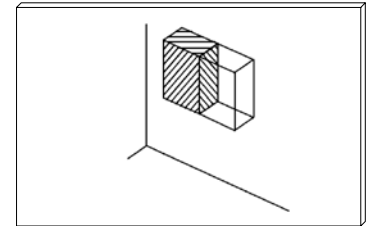
Cold rolled steel primed and painted RAL 7035.

Injected polyurethane sealing gasket.

Cabinets supplied with mounting plate. Pack of 4 plate height adjusters supplied.

It is not compatible with the assembly of a chassis or inner door.

* Calculations obtained according to the CEI 890:1997 standard + Corrigendum 1998; "Method of temperature-rise assessment by extrapolation for partially type-tested assemblies (PTTA) of low-voltage switchgear and control gear".



Side panel



Reference

Description

PLA6040

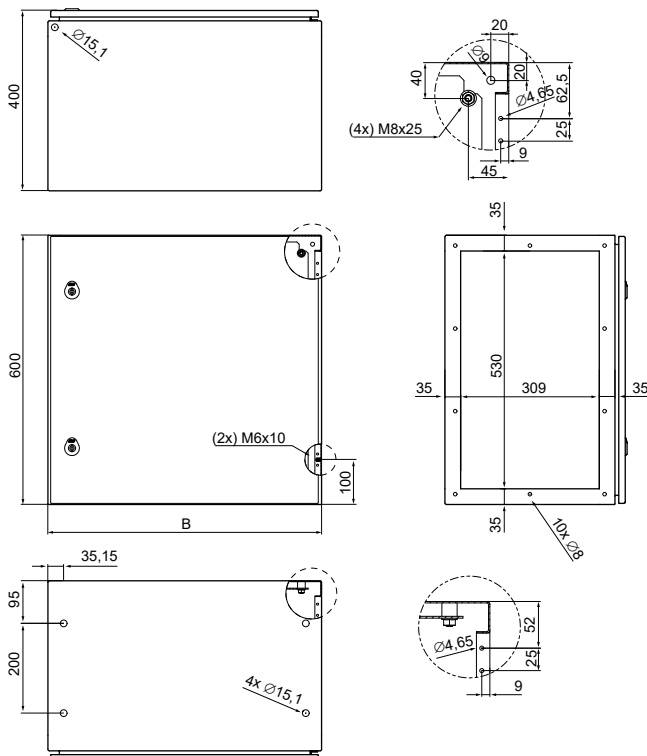
Side panel 600x400 (2 units)

MATERIALS: Cold rolled steel primed and painted RAL 7035.

CHARACTERISTICS: For wall-mounting combinable cabinets.

FOR THE FOLLOWING CABINETS: GNL.

Dimensions: Argenta combinable





Enclosure

- Made of cold rolled steel, primed and painted RAL 7035.
- Sheet thickness: 1.5 mm.
- Supplied without side panels.
- Four dies in the upper part to install eyebolts. It is necessary to order reference number 48475 as an accessory.
- No cable entry.

Door

- Sheet thickness: 1.5 mm.
- Injected polyurethane sealing gasket.
- Welded reinforcement profiles with cut-out holes with a separation of 25 mm for fitting accessories.



Side panels

- Side panels: Supplied as an accessory, reference PLA6040, including two panels.
- Made of cold rolled steel primed and painted RAL 7035.
- Injected polyurethane sealing gasket.
- M6 countersunk screws for attachment.

Union of cabinets

- The cabinets are joined using 10 M6 screws and nuts, included.
- To achieve an IP54 degree of protection it is necessary to join the cabinets using the sealing gasket reference No. 48480 [see page 142].

Mounting plate

- Flat mounting plate included in all cabinet references.
- Made from galvanised sheet steel with a thickness of 2 mm.

Locking

- Standard 5-mm double-bit lock plus key.
- Other types of locks supplied as accessories.

ARGENTA INOX

IP66 stainless steel wall-mounting cabinets



Product series (Stainless steel)

Standard

- AISI 304L and 316L opaque-door cabinets (with mounting plate).
- AISI 304L and AISI 316L cabinets with transparent door (with mounting plate).

To order

- Cabinets without mounting plate (add /SP to the reference).
- Special cabinets: dimensions, cut-outs, machined...

Supply

Supplied in individual packaging containing cabinet, plate and accessory bag.

The cabinets are supplied with protective film or, failing that, bagged.

Plain mounting plate

- For cabinets with a height of up to 700 mm they are supplied unassembled inside the packaging.
- For cabinets with a height from 800 mm and above they are supplied assembled.

Accessory bag:

- 4 watertight caps (if the wall-mounting cut-out holes are not used).
- Earth kit consisting of nut, washer and earth symbol label.
- Plate height adjusters and nuts.
- Key and assembly instructions.

Intended for outdoor and industrial facilities with extremely aggressive agents or saline environments

Recommended applications

- **AISI 304L:** Industrial environments and outdoor facilities with aggressive agents or saline environments; food, chemical and petrochemical industries, where a high degree of hygiene is required.
- **AISI 316L:** All previous applications and, in addition, sea ports and areas with a high salt or chlorine concentration.

Material

- AISI 304L - AISI 316L stainless steel.
- Injected polyurethane sealing gasket.

Finish

- Scotch 320 satin finish.



Enclosure

- Manufactured in 304L or 316L stainless steel from a single cross-shaped part.
- Sheet thickness:
1.2 mm for cabinets from 300x200 to 600x500 mm.
1.5 mm for cabinets from 600x600 to 1200x1000 mm.
- Wall-mounting by means of four Ø9 mm cut-out holes. Wall-mounting support leaving a gap of 11 mm (supplied as an accessory).
- Four M8x25 bolts at the back of the cabinet for securing plates, adjustment elements or chassis.
- M6x15 earth bolt located on the cabinet wall for joining enclosure and door by means of earth wire.
- Double fold to prevent water from entering the cabinet.

Door

- Opaque door with 110° opening.
- Double door for cabinets with a width of 1000 mm and greater.
- Hinges welded to the enclosure.
- Opaque door sheet thickness:
1.2 mm for cabinets from 300x200 to 600x400 mm.
1.5 mm for cabinets from 600x500 to 1200x1000 mm.
2 mm for cabinets of 1000x800 mm.
- Transparent door available on request. Doors made of 4-mm thick tempered glass, for cabinets from 400x300 to 1000x800 mm
- Injected polyurethane sealing gasket to guarantee IP protection.
- Screwed reinforcement profiles with cut-out holes with separation of 25 mm for fitting accessories.
- Door centring device included in cabinets with a height of 600 mm and greater.



Locking

- Standard lock in painted zamak, 5-mm double-bit lock plus key.
- A three-point rod zamak lock is supplied for cabinets with height of 1000 mm.

Mounting plate

- Flat mounting plate included in all cabinet references.
- Made from galvanised sheet steel with a thickness of 2 mm.
- For cabinets with a height of 800 mm or greater, the plates have folds on the sides to provide greater rigidity.

ARGENTA INOX

IP66 stainless steel wall-mounting cabinets

IP66 opaque-door cabinets. AISI 304L stainless steel

| Reference No. | Cabinet dimensions (AXBXC) | Dim. plate (AXB) | Sheet thickness | | No. locks | No. hinges | Reinf. profiles | Door with transp. panel | Weight KG | Power dissipation according to temperature increase °C P(W)* | | | | |
|----------------|-------------------------------|---------------------|-----------------|-----|-----------|------------|-----------------|-------------------------|--------------|--------------------------------------------------------------|-------|-------|-------|-------|
| | | | ENCL. DOOR | | | | | | | 20 | 25 | 30 | 35 | 40 |
| INX302015 | 300x200x150 | 270x150 | 1.2 | 1.2 | 1 | 2 | - | - | 3.9 | 22.8 | 28.5 | 34.2 | 39.8 | 45.5 |
| INX302515 | 300x250x150 | 270x200 | 1.2 | 1.2 | 1 | 2 | - | - | 4.7 | 26.2 | 32.8 | 39.4 | 45.9 | 52.5 |
| INX303015 | 300x300x150 | 270x250 | 1.2 | 1.2 | 1 | 2 | - | - | 5.2 | 29.7 | 37.1 | 44.6 | 52.0 | 59.4 |
| INX403020 | 400x300x200 | 370x250 | 1.2 | 1.2 | 1 | 2 | - | 296x149 | 7.3 | 43.6 | 54.5 | 65.3 | 76.2 | 87.1 |
| INX404020 | 400x400x200 | 370x350 | 1.2 | 1.2 | 1 | 2 | 2 | 296x249 | 9.5 | 52.8 | 66.0 | 79.2 | 92.4 | 105.6 |
| INX406020 | 400x600x200 | 370x550 | 1.2 | 1.5 | 1 | 2 | 2 | 297x449 | 13.5 | 71.3 | 89.1 | 106.9 | 124.7 | 142.6 |
| INX504020 | 500x400x200 | 470x350 | 1.2 | 1.2 | 2 | 2 | 2 | 396x249 | 11.6 | 62.9 | 78.7 | 94.4 | 110.1 | 125.8 |
| INX504025 | 500x400x250 | 470x350 | 1.2 | 1.2 | 2 | 2 | 2 | 396x249 | 12.2 | 62.9 | 78.7 | 94.4 | 110.1 | 125.8 |
| INX604020 | 600x400x200 | 570x350 | 1.2 | 1.2 | 2 | 2 | 2 | 496x249 | 13.4 | 73.0 | 91.3 | 109.6 | 127.8 | 146.1 |
| INX605025 | 600x500x250 | 570x450 | 1.2 | 1.5 | 2 | 2 | 2 | 497x349 | 17.7 | 95.2 | 118.9 | 142.7 | 166.5 | 190.3 |
| INX606025 | 600x600x250 | 570x550 | 1.5 | 1.5 | 2 | 2 | 2 | 497x449 | 22.7 | 108.2 | 135.3 | 162.4 | 189.4 | 216.5 |
| INX705025 | 700x500x250 | 670x450 | 1.5 | 1.5 | 2 | 2 | 2 | 597x349 | 22.3 | 107.8 | 134.8 | 161.7 | 188.7 | 215.6 |
| INX806030 | 800x600x300 | 770x550 | 1.5 | 1.5 | 2 | 3 | 2 | 697x449 | 30.5 | 149.2 | 186.5 | 223.7 | 261.0 | 298.3 |
| INX808030 | 800x800x300 | 770x750 | 1.5 | 1.5 | 2 | 3 | 2 | 697x649 | 39.1 | 183.0 | 228.8 | 274.6 | 320.3 | 366.1 |
| INX1008030 | 1000x800x300 | 970x750 | 1.5 | 1.5 | 3P | 3 | 2 | 897x619 | 47.6 | 219.6 | 274.5 | 329.3 | 384.2 | 439.1 |
| INX10010030/PD | 1000x1000x300 | 970x950 | 1.5 | 1.5 | 3P | 3 | 4 | - | 59.0 | 259.6 | 324.5 | 389.4 | 454.3 | 519.2 |
| INX12010030/PD | 1200x1000x300 | 1170x950 | 1.5 | 1.5 | 3P | 3 | 4 | - | 68.3 | 302.3 | 377.9 | 453.4 | 529.0 | 604.6 |

IP66 opaque-door cabinets. AISI 316L stainless steel

| Reference No. | Cabinet dimensions (AXBXC) | Dim. plate (AXB) | Sheet thickness | | No. locks | No. hinges | Reinf. profiles | Door with transp. panel | Weight KG | Power dissipation according to temperature increase °C P(W)* | | | | |
|--------------------|-------------------------------|---------------------|-----------------|-----|-----------|------------|-----------------|-------------------------|--------------|--------------------------------------------------------------|-------|-------|-------|-------|
| | | | ENCL. DOOR | | | | | | | 20 | 25 | 30 | 35 | 40 |
| INX302015-316 | 300x200x150 | 270x150 | 1.2 | 1.2 | 1 | 2 | - | - | 3.8 | 22.8 | 28.5 | 34.2 | 39.8 | 45.5 |
| INX302515-316 | 300x250x150 | 270x200 | 1.2 | 1.2 | 1 | 2 | - | - | 4.6 | 26.2 | 32.8 | 39.4 | 45.9 | 52.5 |
| INX303015-316 | 300x300x150 | 270x250 | 1.2 | 1.2 | 1 | 2 | - | - | 5.2 | 29.7 | 37.1 | 44.6 | 52.0 | 59.4 |
| INX403020-316 | 400x300x200 | 370x250 | 1.2 | 1.2 | 1 | 2 | - | 296x149 | 7.1 | 43.6 | 54.5 | 65.3 | 76.2 | 87.1 |
| INX404020-316 | 400x400x200 | 370x350 | 1.2 | 1.2 | 1 | 2 | 2 | 296x249 | 9.5 | 52.8 | 66.0 | 79.2 | 92.4 | 105.6 |
| INX406020-316 | 400x600x200 | 370x550 | 1.2 | 1.5 | 1 | 2 | 2 | 297x449 | 13.7 | 71.3 | 89.1 | 106.9 | 124.7 | 142.6 |
| INX504020-316 | 500x400x200 | 470x350 | 1.2 | 1.2 | 2 | 2 | 2 | 396x249 | 11.4 | 62.9 | 78.7 | 94.4 | 110.1 | 125.8 |
| INX504025-316 | 500x400x250 | 470x350 | 1.2 | 1.2 | 2 | 2 | 2 | 396x249 | 12.2 | 62.9 | 78.7 | 94.4 | 110.1 | 125.8 |
| INX604020-316 | 600x400x200 | 570x350 | 1.2 | 1.2 | 2 | 2 | 2 | 496x249 | 13.3 | 73.0 | 91.3 | 109.6 | 127.8 | 146.1 |
| INX605025-316 | 600x500x250 | 570x450 | 1.2 | 1.5 | 2 | 2 | 2 | 497x349 | 17.7 | 95.2 | 118.9 | 142.7 | 166.5 | 190.3 |
| INX606025-316 | 600x600x250 | 570x550 | 1.5 | 1.5 | 2 | 2 | 2 | 497x449 | 22.6 | 108.2 | 135.3 | 162.4 | 189.4 | 216.5 |
| INX705025-316 | 700x500x250 | 670x450 | 1.5 | 1.5 | 2 | 2 | 2 | 597x349 | 22.1 | 107.8 | 134.8 | 161.7 | 188.7 | 215.6 |
| INX806030-316 | 800x600x300 | 770x550 | 1.5 | 1.5 | 2 | 3 | 2 | 697x449 | 30.5 | 149.2 | 186.5 | 223.7 | 261.0 | 298.3 |
| INX808030-316 | 800x800x300 | 770x750 | 1.5 | 1.5 | 2 | 3 | 2 | 697x649 | 39.4 | 183.0 | 228.8 | 274.6 | 320.3 | 366.1 |
| INX1008030-316 | 1000x800x300 | 970x750 | 1.5 | 1.5 | 3P | 3 | 2 | 897x619 | 47.8 | 219.6 | 274.5 | 329.3 | 384.2 | 439.1 |
| INX10010030/PD-316 | 1000x1000x300 | 970x950 | 1.5 | 1.5 | 3P | 3 | 4 | - | 59.0 | 259.6 | 324.5 | 389.4 | 454.3 | 519.2 |
| INX12010030/PD-316 | 1200x1000x300 | 1170x950 | 1.5 | 1.5 | 3P | 3 | 4 | - | 68.3 | 302.3 | 377.9 | 453.4 | 529.0 | 604.6 |

Single opaque or transparent door cabinets: IP66 / NEMA 1, 4, 4x, 12.

Double opaque-door cabinets: IP55 / NEMA 1, 12.

Scotch 320 satin finish stainless steel. Injected polyurethane sealing gasket.

3P: one 3-point lock.

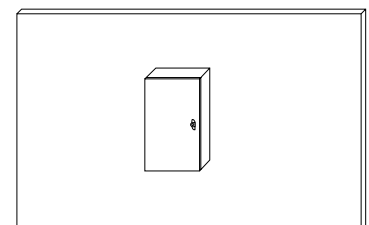
/PD: Double-door cabinets.

Cabinets supplied with mounting plate.

For references without plate, add /SP; e.g.: INX403020/SP - INX10010030PD/SP. (Check availability).

Pack of 4 plate height adjusters supplied in all references, even in those without plate /SP.

For references with transparent door, add T; e.g.: INXT302515 (Check availability).



VDE certificate only available for single-door cabinets.

For special cabinets, cabinets without plate and cabinets with transparent door, check availability of UL certificate.

* Calculations obtained according to the CEI 890:1997 standard + Corrigendum 1998; "Method of temperature-rise assessment by extrapolation for partially type-tested assemblies (PTTA) of low-voltage switchgear and control gear".

SEE DIMENSIONS ON PAGE 31.

SEE ACCESSORIES ON PAGE 32.



Single-door INOX cabinets



Transparent door INOX cabinet



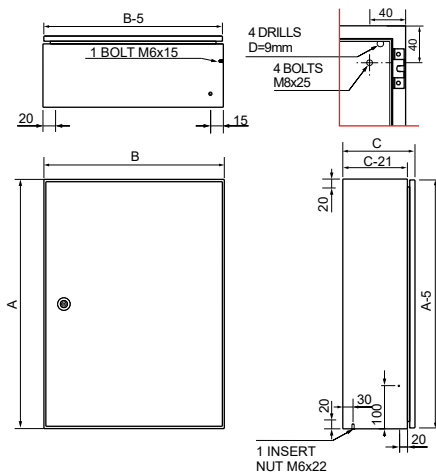
Double-door INOX cabinet

Maximum acceptable loads

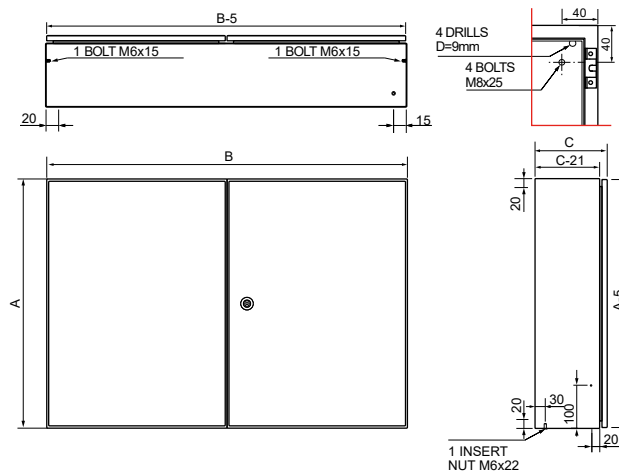
| | Total load | Opaque door | Plate |
|---------------------------------------------|------------|-------------|--------|
| Cabinets from 250x200x150 to 300x300x200 | 150 kg | 25 kg | 125 kg |
| Cabinets from 300x400x150 to 400x300x200 | 175 kg | 25 kg | 150 kg |
| Cabinets from 400x400x150 to 600x400x300 | 225 kg | 25 kg | 200 kg |
| Cabinets from 600x500x150 to 700x500x250 | 275 kg | 25 kg | 250 kg |
| Cabinets from 800x400x200 to 800x800x300 | 325 kg | 25 kg | 300 kg |
| Cabinets from 800x1000x300 to 1200x1000x300 | 390 kg | 40 kg | 350 kg |

Dimensions

Single door



Double door



ARGENTA

IP66 steel wall-mounting cabinets accessories

Plain metal mounting plates



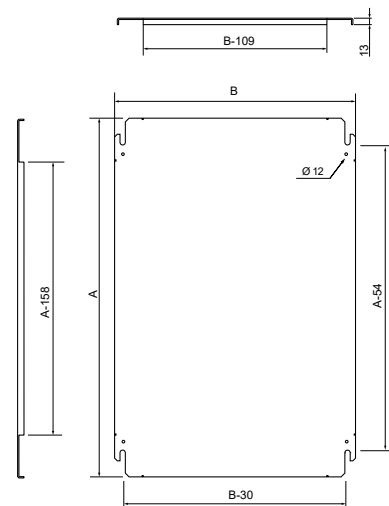
MATERIAL: Plain mounting plate in 2-mm thick galvanised steel.

CHARACTERISTICS: Pack of 4 height adjusters plus 4 anti-twist bolts for assembling the plate supplied with the cabinet reference. (Including cabinets without plate /SP).

Ref. 48228, page 34.

FOR THE FOLLOWING CABINETS:
GN - ATX - INX.

| Reference No. | Dimensions (AXB) | Plate thickness mm | Folds | | For cabinet | |
|---------------|---------------------|-----------------------|--------|-------|-------------|-------|
| | | | HORIZ. | VERT. | HEIGHT | WIDTH |
| PL2520 | 220x150 | 2 | - | - | 250 | 200 |
| PL2525 | 220x200 | 2 | - | - | 250 | 250 |
| PL3020 | 270x150 | 2 | - | - | 300 | 200 |
| PL3025 | 270x200 | 2 | - | - | 300 | 250 |
| PL3030 | 270x250 | 2 | - | - | 300 | 300 |
| PL3040 | 270x350 | 2 | - | - | 300 | 400 |
| PL4030 | 370x250 | 2 | - | - | 400 | 300 |
| PL4040 | 370x350 | 2 | - | - | 400 | 400 |
| PL4060 | 370x550 | 2 | 2 | - | 400 | 600 |
| PL5030 | 470x250 | 2 | - | - | 500 | 300 |
| PL5040 | 470x350 | 2 | - | - | 500 | 400 |
| PL5050 | 470x450 | 2 | - | - | 500 | 500 |
| PL5070 | 470x650 | 2 | - | - | 500 | 700 |
| PL5080 | 470x750 | 2 | 2 | 2 | 500 | 800 |
| PL50100 | 470x950 | 2 | 2 | 2 | 500 | 1000 |
| PL6040 | 570x350 | 2 | - | 2 | 600 | 400 |
| PL6050 | 570x450 | 2 | - | 2 | 600 | 500 |
| PL6060 | 570x550 | 2 | 2 | 2 | 600 | 600 |
| PL6080 | 570x750 | 2 | 2 | - | 600 | 800 |
| PL60120 | 570x1150 | 2 | 2 | 2 | 600 | 1200 |
| PL7050 | 670x450 | 2 | - | 2 | 700 | 500 |
| PL8040 | 770x350 | 2 | - | - | 800 | 400 |
| PL8060 | 770x550 | 2 | 2 | 2 | 800 | 600 |
| PL8080 | 770x750 | 2 | 2 | 2 | 800 | 800 |
| PL80100 | 770x950 | 2 | 2 | 2 | 800 | 1000 |
| PL80120 | 770x1150 | 2 | 2 | 2 | 800 | 1200 |
| PL10060 | 970x550 | 2 | 2 | 2 | 1000 | 600 |
| PL10080 | 970x750 | 2 | 2 | 2 | 1000 | 800 |
| PL100100 | 970x950 | 2 | 2 | 2 | 1000 | 1000 |
| PL100120 | 970x1150 | 2 | 2 | 2 | 1000 | 1200 |
| PL12060 | 1170x550 | 2 | 2 | 2 | 1200 | 600 |
| PL12080 | 1170x750 | 2 | 2 | 2 | 1200 | 800 |
| PL12090 | 1170x850 | 2 | 2 | 2 | 1200 | 900 |
| PL120100 | 1170x950 | 2 | 2 | 2 | 1200 | 1000 |
| PL120120 | 1170x1150 | 2 | 2 | 2 | 1200 | 1200 |
| PL14060 | 1370x550 | 2 | 2 | 2 | 1400 | 600 |
| PL14080 | 1370x750 | 2 | 2 | 2 | 1400 | 800 |
| PL140100 | 1370x950 | 2 | 2 | 2 | 1400 | 1000 |
| PL140120 | 1370x1150 | 2 | 2 | 2 | 1400 | 1200 |

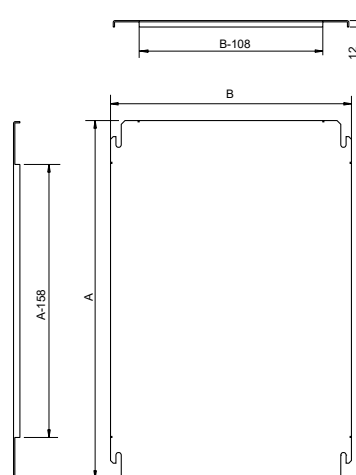


Plain insulating mounting plates



MATERIAL: Plain mounting plate in Bakelite.
CHARACTERISTICS: Pack of 4 height adjusters plus 4 anti-twist bolts for assembling the plate supplied with the cabinet reference. (Including cabinets without plate /SP).
 Ref. 48228, page 34.
FOR THE FOLLOWING CABINETS:
 GN - ATX - INX.

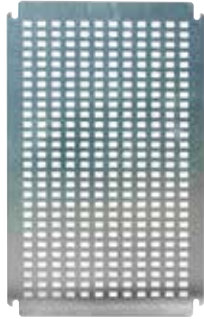
| Reference No. | Dimensions | Plate thickness | For cabinet | |
|---------------|------------|-----------------|-------------|-------|
| | (AXB) | mm | HEIGHT | WIDTH |
| PLB2520 | 220x150 | 3 | 250 | 200 |
| PLB2525 | 220x200 | 3 | 250 | 250 |
| PLB3020 | 270x150 | 3 | 300 | 200 |
| PLB3025 | 270x200 | 3 | 300 | 250 |
| PLB3030 | 270x250 | 3 | 300 | 300 |
| PLB3040 | 270x350 | 3 | 300 | 400 |
| PLB4030 | 370x250 | 3 | 400 | 300 |
| PLB4040 | 370x350 | 3 | 400 | 400 |
| PLB4060 | 370x550 | 3 | 400 | 600 |
| PLB5030 | 470x250 | 3 | 500 | 300 |
| PLB5040 | 470x350 | 3 | 500 | 400 |
| PLB5050 | 470x450 | 4 | 500 | 500 |
| PLB5070 | 470x650 | 4 | 500 | 700 |
| PLB6040 | 570x350 | 4 | 600 | 400 |
| PLB6050 | 570x450 | 4 | 600 | 500 |
| PLB6060 | 570x550 | 4 | 600 | 600 |
| PLB6080 | 570x750 | 4 | 600 | 800 |
| PLB7050 | 670x450 | 4 | 700 | 500 |
| PLB8040 | 770x350 | 4 | 800 | 400 |
| PLB8060 | 770x550 | 4 | 800 | 600 |
| PLB8080 | 770x750 | 4 | 800 | 800 |
| PLB80100 | 770x950 | 5 | 800 | 1000 |
| PLB80120 | 770x1150 | 5 | 800 | 1200 |
| PLB10060 | 970x550 | 5 | 1000 | 600 |
| PLB10080 | 970x750 | 5 | 1000 | 800 |
| PLB100100 | 970x950 | 5 | 1000 | 1000 |
| PLB100120 | 970x1150 | 5 | 1000 | 1200 |
| PLB12060 | 1170x550 | 5 | 1200 | 600 |
| PLB12080 | 1170x750 | 5 | 1200 | 800 |
| PLB12090 | 1170x850 | 5 | 1200 | 900 |
| PLB120100 | 1170x950 | 5 | 1200 | 1000 |
| PLB120120 | 1170x1150 | 5 | 1200 | 1200 |
| PLB140100 | 1370x950 | 5 | 1400 | 1000 |



ARGENTA

IP66 steel wall-mounting cabinets accessories

Perforated metal mounting plates



MATERIAL: Perforated mounting plate in 2-mm thick galvanised steel.

CHARACTERISTICS: Pack of 4 height adjusters plus 4 anti-twist bolts for assembling the plate supplied with the cabinet reference. (Including cabinets without plate /SP).

Ref. 48228, page 34.

Cut-out holes 14x9 - Distance between perforations 25 mm.

Recommended caged nuts:

48429: For front assembly.

48416 or 48435: For rear assembly.

[See references on page 235]

FOR THE FOLLOWING CABINETS:

GN - ATX - INX.

| Reference No. | Dimensions | Plate thickness | For cabinet | |
|---------------|------------|-----------------|-------------|-------|
| | (AXB) | mm | HEIGHT | WIDTH |
| PLU2520 | 220x150 | 2 | 250 | 200 |
| PLU2525 | 220x200 | 2 | 250 | 250 |
| PLU3020 | 270x150 | 2 | 300 | 200 |
| PLU3025 | 270x200 | 2 | 300 | 250 |
| PLU3030 | 270x250 | 2 | 300 | 300 |
| PLU3040 | 270x350 | 2 | 300 | 400 |
| PLU4030 | 370x250 | 2 | 400 | 300 |
| PLU4040 | 370x350 | 2 | 400 | 400 |
| PLU4060 | 370x550 | 2 | 400 | 600 |
| PLU5030 | 470x250 | 2 | 500 | 300 |
| PLU5040 | 470x350 | 2 | 500 | 400 |
| PLU5050 | 470x450 | 2 | 500 | 500 |
| PLU5070 | 470x650 | 2 | 500 | 700 |
| PLU6040 | 570x350 | 2 | 600 | 400 |
| PLU6050 | 570x450 | 2 | 600 | 500 |
| PLU6060 | 570x550 | 2 | 600 | 600 |
| PLU6080 | 570x750 | 2 | 600 | 800 |
| PLU7050 | 670x450 | 2 | 700 | 500 |
| PLU8040 | 770x350 | 2 | 800 | 400 |
| PLU8060 | 770x550 | 2 | 800 | 600 |
| PLU8080 | 770x750 | 2 | 800 | 800 |
| PLU80100 | 770x950 | 2 | 800 | 1000 |
| PLU80120 | 770x1150 | 2 | 800 | 1200 |
| PLU10060 | 970x550 | 2 | 1000 | 600 |
| PLU10080 | 970x750 | 2 | 1000 | 800 |
| PLU100100 | 970x950 | 2 | 1000 | 1000 |
| PLU100120 | 970x1150 | 2 | 1000 | 1200 |
| PLU12060 | 1170x550 | 2 | 1200 | 600 |
| PLU12080 | 1170x750 | 2 | 1200 | 800 |
| PLU12090 | 1170x850 | 2 | 1200 | 900 |
| PLU120100 | 1170x950 | 2 | 1200 | 1000 |
| PLU120120 | 1170x1150 | 2 | 1200 | 1200 |

Plate height adjuster



| Reference No. | Description |
|---------------|------------------------------------------------|
| 48228 | Pack of 4 height adjusters + 4 anti-twist nuts |

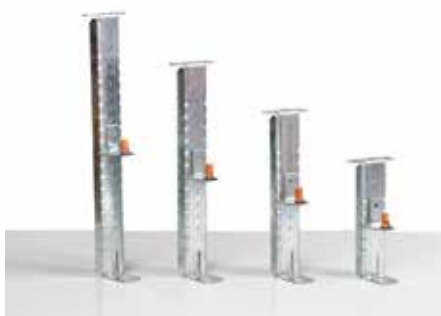
MATERIAL: Rubber.

CHARACTERISTICS: It is supplied in all cabinet references. (Including cabinets without plate /SP).

Pack of 4 height adjusters + 4 anti-twist nuts.

FOR THE FOLLOWING CABINETS: GN - ATX - INX.

Height adjustment element



| Reference No. | For cabinet depth (mm) |
|---------------|------------------------|
| SP150 | 150 |
| SP200 | 200 |
| SP250 | 250 |
| SP300 | 300 |
| SP400 | 400 |

MATERIAL: Galvanised steel.

CHARACTERISTICS: Height adjustment element for mounting plates.

Height adjustment in increments of 12.5 mm.

Required for the assembly of the inner doors.

SUPPLY: Pack of 4 adjustable supports.

FOR THE FOLLOWING CABINETS: GN - ATX - INX.

Modular chassis (rolled steel)

| Reference No. | No. of modules | Rows | For cabinet | | |
|---------------|----------------|-------------|-------------|-------|---------|
| | | | HEIGHT | WIDTH | DEPTH |
| CH3025/1520 | 16 | 2x8 | 300 | 250 | 150-200 |
| CH3030/1520 | 22 | 2x11 | 300 | 300 | 150-200 |
| CH4030/1520 | 33 | 3x11 | 400 | 300 | 150-200 |
| CH4040/1520 | 45 | 3x15 | 400 | 400 | 150-200 |
| CH4040/2530 | 45 | 3x15 | 400 | 400 | 250-300 |
| CH4060/1520 | 78 | 3x26 | 400 | 600 | 150-200 |
| CH4060/2530 | 78 | 3x26 | 400 | 600 | 250-300 |
| CH5040/1520 | 48 | 3x16 | 500 | 400 | 150-200 |
| CH5040/2530 | 48 | 3x16 | 500 | 400 | 250-300 |
| CH6040/1520 | 64 | 4x16 | 600 | 400 | 150-200 |
| CH6040/2530 | 64 | 4x16 | 600 | 400 | 250-300 |
| CH6060/1520 | 104 | 4x26 | 600 | 600 | 150-200 |
| CH6060/2530 | 104 | 4x26 | 600 | 600 | 250-300 |
| CH7050/1520 | 110 | 5x22 | 700 | 500 | 150-200 |
| CH7050/2530 | 110 | 5x22 | 700 | 500 | 250-300 |
| CH8060/1520 | 128 | 4x26 + 1x24 | 800 | 600 | 150-200 |
| CH8060/2530 | 128 | 4x26 + 1x24 | 800 | 600 | 250-300 |
| CH8080/1520 | 190 | 5x38 | 800 | 800 | 150-200 |
| CH8080/2530 | 190 | 5x38 | 800 | 800 | 250-300 |
| CH10060/2530 | 156 | 6x26 | 1000 | 600 | 250-300 |
| CH10080/2530 | 228 | 6x38 | 1000 | 800 | 250-300 |
| CH10080/40 | 228 | 6x38 | 1000 | 800 | 400 |

MATERIAL: Frame: Galvanised steel. Chassis lid: Cold rolled steel primed and painted RAL 7035.

CHARACTERISTICS: Includes frame, chassis lid, locking screws and height adjusters. It also includes two holes at the front to apply the knob handle (Ref. 48545), and one hole at the side to run the earth wire.

Caps are supplied to cover the holes in case not used.

Bag of assembly accessories included.

FOR THE FOLLOWING CABINETS: GN - INX - ATX.

Modular chassis (stainless steel)

| Reference No. | No. of modules | Rows | For cabinet | | |
|-----------------|----------------|-------------|-------------|-------|-------|
| | | | HEIGHT | WIDTH | DEPTH |
| INXCH3025/1520 | 16 | 2x8 | 300 | 250 | 150 |
| INXCH4030/1520 | 33 | 3x11 | 400 | 300 | 200 |
| INXCH5040/1520 | 48 | 3x16 | 500 | 400 | 200 |
| INXCH6040/1520 | 64 | 4x16 | 600 | 400 | 200 |
| INXCH6060/2530 | 104 | 4x26 | 600 | 600 | 250 |
| INXCH7050/2530 | 110 | 5x22 | 700 | 500 | 250 |
| INXCH8060/2530 | 128 | 4x26 + 1x24 | 800 | 600 | 300 |
| INXCH8080/2530 | 190 | 5x38 | 800 | 800 | 300 |
| INXCH10080/2530 | 228 | 6x38 | 1000 | 800 | 300 |

MATERIAL: AISI 304L stainless steel. Scotch 320 satin finish.

CHARACTERISTICS: Includes frame, chassis lid, locking screws and height adjusters.

Bag of assembly accessories included.

FOR THE FOLLOWING CABINETS: INX - ATX.

Handle

| Reference No. | Description |
|---------------|-------------|
| 48545 | Knob handle |

MATERIAL: Wood-filled phenolic resin. Shiny black.

CHARACTERISTICS: Resistant to most industrial chemical products, oils, greases and adverse weather conditions, including ultraviolet light.

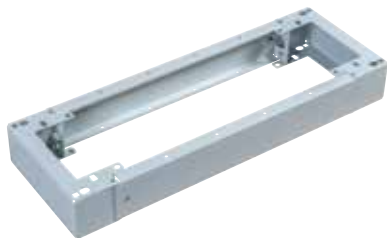
Rated service temperature: -30 °C / +140 °C.

FOR THE FOLLOWING CABINETS: Inner doors and modular chassis.

ARGENTA

IP66 steel wall-mounting cabinets accessories

Plinths (rolled steel)



| Reference No. | Dimensions | For cabinet | |
|----------------------|------------------------|-------------|-------|
| | HEIGHT X WIDTH X DEPTH | WIDTH | DEPTH |
| 100-MM PLINTH | | | |
| ZCLA106020 | 100x600x200 | 600 | 200 |
| ZCLA106025 | 100x600x250 | 600 | 250 |
| ZCLA106030 | 100x600x300 | 600 | 300 |
| ZCLA106040 | 100x600x400 | 600 | 400 |
| ZCLA108020 | 100x800x200 | 800 | 200 |
| ZCLA108025 | 100x800x250 | 800 | 250 |
| ZCLA108030 | 100x800x300 | 800 | 300 |
| ZCLA108040 | 100x800x400 | 800 | 400 |
| ZCLA1010025 | 100x1000x250 | 1000 | 250 |
| ZCLA1010030 | 100x1000x300 | 1000 | 300 |
| ZCLA1010040 | 100x1000x400 | 1000 | 400 |
| ZCLA1012025 | 100x1200x250 | 1200 | 250 |
| ZCLA1012030 | 100x1200x300 | 1200 | 300 |
| ZCLA1012040 | 100x1200x400 | 1200 | 400 |
| 200-MM PLINTH | | | |
| ZCLA206020 | 200x600x200 | 600 | 200 |
| ZCLA206025 | 200x600x250 | 600 | 250 |
| ZCLA206030 | 200x600x300 | 600 | 300 |
| ZCLA206040 | 200x600x400 | 600 | 400 |
| ZCLA208020 | 200x800x200 | 800 | 200 |
| ZCLA208025 | 200x800x250 | 800 | 250 |
| ZCLA208030 | 200x800x300 | 800 | 300 |
| ZCLA208040 | 200x800x400 | 800 | 400 |
| ZCLA2010025 | 200x1000x250 | 1000 | 250 |
| ZCLA2010030 | 200x1000x300 | 1000 | 300 |
| ZCLA2010040 | 200x1000x400 | 1000 | 400 |
| ZCLA2012025 | 200x1200x250 | 1200 | 250 |
| ZCLA2012030 | 200x1200x300 | 1200 | 300 |
| ZCLA2012040 | 200x1200x400 | 1200 | 400 |

MATERIAL: Cold rolled steel primed and painted RAL 7035.

CHARACTERISTICS: Plinth supplied complete with front and side covers.

FOR THE FOLLOWING CABINETS: GN.

Plinths (stainless steel)



| Reference No. | Dimensions | For cabinet | |
|--------------------------------|-------------------------------|-------------|-------|
| | | WIDTH | DEPTH |
| AISI 304L 100-MM PLINTH | HEIGHT X WIDTH X DEPTH | | |
| INXZCLA104020 | 100x400x200 | 400 | 200 |
| INXZCLA105025 | 100x500x250 | 500 | 250 |
| INXZCLA106020 | 100x600x200 | 600 | 200 |
| INXZCLA106025 | 100x600x250 | 600 | 250 |
| INXZCLA106030 | 100x600x300 | 600 | 300 |
| INXZCLA108030 | 100x800x300 | 800 | 300 |
| INXZCLA1010030 | 100x1000x300 | 1000 | 300 |

MATERIAL: AISI 304L stainless steel. Scotch 320 satin finish.
Check availability for plinths AISI 316L.

CHARACTERISTICS: Plinth supplied complete with front and side covers.

FOR THE FOLLOWING CABINETS: INX.

Plinth cable support



| Reference No. | For plinth depth (mm) |
|---------------|-----------------------|
| 48497 | 250 |
| 48498 | 300 |
| 48499 | 400 |

MATERIAL: Galvanised steel.

CHARACTERISTICS: It is fitted on the inside of the plinth. Height-adjustable.

FOR THE FOLLOWING CABINETS: GN.

Standard cable entry lids

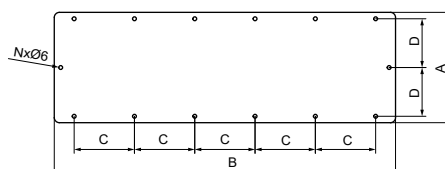


| Reference | Dimensions of the cable entry gap (mm) | Dimensions of the lid (mm) | | | | |
|-----------|----------------------------------------|----------------------------|-------|-----|----|----|
| | | HEIGHT | WIDTH | A | B | C |
| TS0815 | 65x120 | 112 | 167 | 107 | 46 | 6 |
| TS0820 | 65x185 | 112 | 232 | 86 | 46 | 8 |
| TS0830 | 65x285 | 112 | 332 | 90 | 46 | 10 |
| TS1423 | 125x215 | 172 | 262 | 101 | 76 | 8 |
| TS1430 | 125x285 | 172 | 332 | 90 | 76 | 10 |
| TS1440 | 125x385 | 172 | 432 | 93 | 76 | 12 |
| TS1450 | 125x485 | 172 | 532 | 94 | 76 | 14 |
| TS1470 | 125x685 | 172 | 732 | 96 | 76 | 18 |
| TS1490 | 125x885 | 172 | 932 | 97 | 76 | 22 |

MATERIAL: Cold rolled steel primed and painted RAL 7035.

CHARACTERISTICS: Standard spare cover for cable entry. Fitting screws included.

FOR THE FOLLOWING CABINETS: GN.



ARGENTA

IP66 steel wall-mounting cabinets accessories

Cable entry lid for FL21-type frame

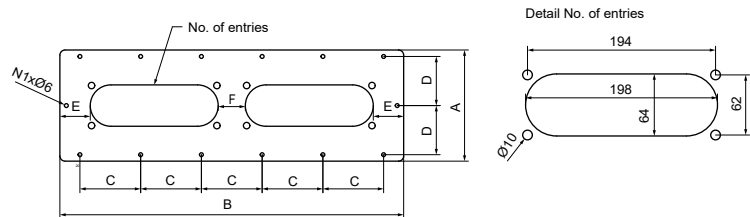


| Reference No. | Dimensions of the cable entry gap | Dimensions of the lid (mm) | | | | | | | No. of entries | |
|---------------|-----------------------------------|----------------------------|-------|-----|----|-----|----|----|----------------|----|
| | | HEIGHT | WIDTH | A | B | C | D | E | F | N1 |
| TF1423 | 125x215 | 172 | 262 | 101 | 76 | 32 | - | 8 | 1 | |
| TF1430 | 125x285 | 172 | 332 | 90 | 76 | 67 | - | 10 | 1 | |
| TF1440 | 125x385 | 172 | 432 | 93 | 76 | 117 | - | 12 | 1 | |
| TF1450 | 125x485 | 172 | 532 | 94 | 76 | 47 | 42 | 14 | 2 | |
| TF1470 | 125x685 | 172 | 732 | 96 | 76 | 32 | 37 | 18 | 3 | |
| TF1490 | 125x885 | 172 | 932 | 97 | 76 | 107 | 62 | 22 | 3 | |

MATERIAL: Cold rolled steel primed and painted RAL 7035.

CHARACTERISTICS: Fitting screws included.

FOR THE FOLLOWING CABINETS: GN.



FL21-type frame and lid



| Reference No. | Description | Internal dimensions |
|---------------|------------------|---------------------|
| | | HEIGHT X WIDTH |
| TFL21 | Frame 90x214 | 68x170 |
| TCFL21 | Plain lid 90x214 | - |

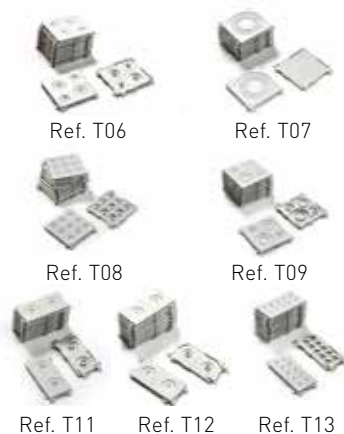
MATERIAL: Fibreglass-reinforced polypropylene.

CHARACTERISTICS: FL21 frame for fitting the various inserts. Covers with entrances with membranes of various diameters for different combinations. For the full set, order the cable entry cover, the FL21 frame and the inserts. IP65 protection degree.

SUPPLY: 10-pieces bag.

FOR THE FOLLOWING CABINETS: GN.

Interchangeable inserts for FL21-type frame



| Reference No. | Dimensions | No. of entries |
|---------------|----------------|------------------------------------|
| | HEIGHT X WIDTH | Ø |
| T06 | 68x68 | 2xM25 (8-17 mm) 2xM16 (5-10 mm) |
| T07 | 68x68 | 1xM32-M40-M50 |
| T08 | 68x68 | 9x7-14 mm |
| T09 | 68x68 | 2x20-30 mm 2x10-20 mm |
| T11 | 34x68 | 2x8-17 mm |
| T12 | 34x68 | 2xM20 (6-13 mm) |
| T13 | 34x68 | 10x4-10 mm |

MATERIAL: Fibreglass-reinforced polypropylene.

CHARACTERISTICS: Interchangeable inserts for FL21-type frame. IP65 protection degree.

SUPPLY: 10-pieces bag.

FOR THE FOLLOWING CABINETS: GN.

Cable entry lid for FL13-type frame

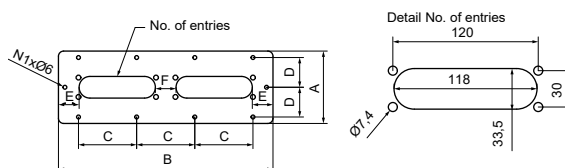


| Reference No. | Dimensions of the cable entry gap (mm) | Die-cut dimensions (mm) | | | | | | | No. of entries | |
|---------------|----------------------------------------|-------------------------|-----|----|----|----|----|----|----------------|--|
| | | HEIGHT X WIDTH | A | B | C | D | E | F | | |
| TF0820 | 65x185 | 112 | 232 | 86 | 46 | 57 | - | 7 | 1 | |
| TF0830 | 65x285 | 112 | 332 | 90 | 46 | 32 | 32 | 10 | 2 | |

MATERIAL: Cold rolled steel primed and painted RAL 7035.

CHARACTERISTICS: Fitting screws included.

FOR THE FOLLOWING CABINETS: GN.



FL13-type frame and lid



| Reference No. | Description | Internal dimensions |
|---------------|------------------|---------------------|
| | | HEIGHT X WIDTH |
| TFL13 | Frame 52x134 | 34x102 |
| TCFL13 | Plain lid 52x134 | - |

MATERIAL: Fibreglass-reinforced polypropylene.

CHARACTERISTICS: FL13 frame for fitting the various inserts. Covers with entrances with membranes of various diameters for different combinations. For the full set, order the cable entry cover, the FL13 frame and the inserts. IP65 protection degree.

SUPPLY: 10-pieces bag.

FOR THE FOLLOWING CABINETS: GN.

Interchangeable inserts for FL13-type frame



| Reference No. | Dimensions | No. of entries |
|---------------|----------------|----------------|
| | HEIGHT X WIDTH | Ø |
| T14 | 34x68 | 2x 8-17 mm |
| T15 | 34x68 | 2xM20 6-13 mm |
| T16 | 34x68 | 10x 4-10 mm |
| T17 | 34x34 | 1xM20 6-13 mm |

MATERIAL: Fibreglass-reinforced polypropylene.

CHARACTERISTICS: Interchangeable inserts for FL13-type frame. IP65 protection degree.

SUPPLY: 10-pieces bag.

FOR THE FOLLOWING CABINETS: GN.

ARGENTA

IP66 steel wall-mounting cabinets accessories

Canopy (rolled steel)



| Reference No. | Dimensions | | For cabinet | |
|---------------|------------|---------|-------------|-------|
| | WIDTH | X DEPTH | WIDTH | DEPTH |
| TEJ2015 | 200 | x175 | 200 | 150 |
| TEJ2515 | 250 | x175 | 250 | 150 |
| TEJ2520 | 250 | x225 | 250 | 200 |
| TEJ3015 | 300 | x175 | 300 | 150 |
| TEJ3020 | 300 | x225 | 300 | 200 |
| TEJ3025 | 300 | x275 | 300 | 250 |
| TEJ4015 | 400 | x175 | 400 | 150 |
| TEJ4020 | 400 | x225 | 400 | 200 |
| TEJ4025 | 400 | x275 | 400 | 250 |
| TEJ4030 | 400 | x325 | 400 | 300 |
| TEJ5015 | 500 | x175 | 500 | 150 |
| TEJ5020 | 500 | x225 | 500 | 200 |
| TEJ5025 | 500 | x275 | 500 | 250 |
| TEJ5030 | 500 | x325 | 500 | 300 |
| TEJ6020 | 600 | x225 | 600 | 200 |
| TEJ6025 | 600 | x275 | 600 | 250 |
| TEJ6030 | 600 | x325 | 600 | 300 |
| TEJ6040 | 600 | x425 | 600 | 400 |
| TEJ7020 | 700 | x225 | 700 | 200 |
| TEJ8020 | 800 | x225 | 800 | 200 |
| TEJ8025 | 800 | x275 | 800 | 250 |
| TEJ8030 | 800 | x325 | 800 | 300 |
| TEJ8040 | 800 | x425 | 800 | 400 |
| TEJ10020 | 1000 | x225 | 1000 | 200 |
| TEJ10025 | 1000 | x275 | 1000 | 250 |
| TEJ10030 | 1000 | x325 | 1000 | 300 |
| TEJ10040 | 1000 | x425 | 1000 | 400 |
| TEJ12025 | 1200 | x275 | 1200 | 250 |
| TEJ12030 | 1200 | x325 | 1200 | 300 |
| TEJ12040 | 1200 | x425 | 1200 | 400 |

MATERIAL: Cold rolled steel primed and painted RAL 7035.

CHARACTERISTICS: It protects the controls or lights from the rain and dust. Recommended for outdoor use cabinets.

It is fixed directly to the enclosure.

It is supplied with all the screws required for assembly.

FOR THE FOLLOWING CABINETS: GN.

Inner door (rolled steel)



| Reference No. | Dimensions | For cabinet | |
|---------------|------------|-------------|-------|
| | | HEIGHT | WIDTH |
| PIN3020 | 250x150 | 300 | 200 |
| PIN3025 | 250x200 | 300 | 250 |
| PIN3030 | 250x250 | 300 | 300 |
| PIN3040 | 250x350 | 300 | 400 |
| PIN4030 | 350x250 | 400 | 300 |
| PIN4040 | 350x350 | 400 | 400 |
| PIN4060 | 350x550 | 400 | 600 |
| PIN5030 | 450x250 | 500 | 300 |
| PIN5040 | 450x350 | 500 | 400 |
| PIN5050 | 450x450 | 500 | 500 |
| PIN5070 | 450x650 | 500 | 700 |
| PIN6040 | 550x350 | 600 | 400 |
| PIN6050 | 550x450 | 600 | 500 |
| PIN6060 | 550x550 | 600 | 600 |
| PIN6080 | 550x750 | 600 | 800 |
| PIN7050 | 650x450 | 700 | 500 |
| PIN8040 | 750x350 | 800 | 400 |
| PIN8060 | 750x550 | 800 | 600 |
| PIN8080 | 750x750 | 800 | 800 |
| PIN80100 | 750x950 | 800 | 1000 |
| PIN80120 | 750x1150 | 800 | 1200 |
| PIN10060 | 950x550 | 1000 | 600 |
| PIN10080 | 950x750 | 1000 | 800 |
| PIN100100 | 950x950 | 1000 | 1000 |
| PIN100120 | 950x1150 | 1000 | 1200 |
| PIN12060 | 1150x550 | 1200 | 600 |
| PIN12080 | 1150x750 | 1200 | 800 |
| PIN12090 | 1150x850 | 1200 | 900 |
| PIN120100 | 1150x950 | 1200 | 1000 |
| PIN120120 | 1150x1150 | 1200 | 1200 |
| PIN14060 | 1350x550 | 1400 | 600 |
| PIN14080 | 1350x750 | 1400 | 800 |
| PIN140100 | 1350x950 | 1400 | 1000 |

MATERIAL: Cold rolled steel painted RAL 7035.

CHARACTERISTICS: The corresponding height adjustment element must be ordered for the installation of the inner door (see references on page 34).

It is supplied with the same lock type as the standard door: 5-mm double-bit lock.
Reversible hinges and 90° opening.

Possibility of simultaneous assembly of inner door and mounting plate.

Possibility of installing knob handle; Ref. 48545 (see page 35).

It is not compatible with the assembly of a door retainer or switch.

FOR THE FOLLOWING CABINETS: GN - ATX.

ARGENTA

IP66 steel wall-mounting cabinets accessories

Canopy (stainless steel)



| Reference No. | Dimensions | For cabinet | |
|---------------|---------------|-------------|-------|
| | | WIDTH | DEPTH |
| | WIDTH X DEPTH | | |
| INXTEJ2015 | 210x163 | 200 | 150 |
| INXTEJ2515 | 260x163 | 250 | 150 |
| INXTEJ3015 | 310x163 | 300 | 150 |
| INXTEJ3020 | 310x211 | 300 | 200 |
| INXTEJ4020 | 410x211 | 400 | 200 |
| INXTEJ5025 | 510x259 | 500 | 250 |
| INXTEJ6020 | 610x211 | 600 | 200 |
| INXTEJ6025 | 610x259 | 600 | 250 |
| INXTEJ6030 | 610x307,5 | 600 | 300 |
| INXTEJ8030 | 810x307,5 | 800 | 300 |
| INXTEJ10030 | 1010x307,5 | 1000 | 300 |

MATERIAL: AISI 304L stainless steel. Scotch 320 satin finish. Check availability for canopies AISI 316L.

CHARACTERISTICS: It protects the controls or lights from the rain and dust.

It is fixed directly to the enclosure.

It is supplied with all the screws required for assembly.

FOR THE FOLLOWING CABINETS: INX.

Inner door (stainless steel)



| Reference No. | Dimensions | For cabinet | |
|---------------|----------------|-------------|-------|
| | | HEIGHT | WIDTH |
| | HEIGHT X WIDTH | | |
| INXPIN3020 | 237x145 | 300 | 200 |
| INXPIN3025 | 237x195 | 300 | 250 |
| INXPIN3030 | 237x245 | 300 | 300 |
| INXPIN4030 | 337x245 | 400 | 300 |
| INXPIN4040 | 337x345 | 400 | 400 |
| INXPIN4060 | 337x545 | 400 | 600 |
| INXPIN5040 | 437x345 | 500 | 400 |
| INXPIN6040 | 537x345 | 600 | 400 |
| INXPIN6050 | 537x445 | 600 | 500 |
| INXPIN6060 | 537x545 | 600 | 600 |
| INXPIN7050 | 637x445 | 700 | 500 |
| INXPIN8060 | 737x545 | 800 | 600 |
| INXPIN8080 | 737x745 | 800 | 800 |
| INXPIN10080 | 937x745 | 1000 | 800 |
| INXPIN100100 | 937x945 | 1000 | 1000 |
| INXPIN120100 | 1137x945 | 1200 | 1000 |

MATERIAL: AISI 304L stainless steel. Scotch 320 satin finish. Check availability for doors AISI 316L.

CHARACTERISTICS: The corresponding height adjustment pack must be ordered for the installation of the inner door (see references on page 34).

It is supplied with the same lock type as the standard door: 5-mm double-bit lock.

Reversible hinges and 90° opening.

Possibility of simultaneous assembly of inner door and mounting plate.

It is not compatible with the assembly of a door retainer or switch.

FOR THE FOLLOWING CABINETS: INX - ATX/INX.

Opaque spare doors (rolled steel)



| Reference No. | No. locks | For cabinet | |
|---------------|-----------|-------------|-------|
| | | HEIGHT | WIDTH |
| PO2520 | 1 | 250 | 200 |
| PO2525 | 1 | 250 | 250 |
| PO3020 | 1 | 300 | 200 |
| PO3025 | 1 | 300 | 250 |
| PO3030 | 1 | 300 | 300 |
| PO3040 | 1 | 300 | 400 |
| PO4030 | 1 | 400 | 300 |
| PO4040 | 1 | 400 | 400 |
| PO4060 | 1 | 400 | 600 |
| PO5030 | 2 | 500 | 300 |
| PO5040 | 2 | 500 | 400 |
| PO5050 | 2 | 500 | 500 |
| PO5070 | 2 | 500 | 700 |
| PO5080 | 2 | 500 | 800 |
| PO6040 | 2 | 600 | 400 |
| PO6050 | 2 | 600 | 500 |
| PO6060 | 2 | 600 | 600 |
| PO6080 | 2 | 600 | 800 |
| PO7050 | 2 | 700 | 500 |
| PO8040 | 2 | 800 | 400 |
| PO8060 | 2 | 800 | 600 |
| PO8080 | 2 | 800 | 800 |
| PO80100 | 2 | 800 | 1000 |
| PO10060 | 1x3P | 1000 | 600 |
| PO10080 | 1x3P | 1000 | 800 |
| PO100100 | 1x3P | 1000 | 1000 |
| PO12060 | 1x3P | 1200 | 600 |
| PO12080 | 1x3P | 1200 | 800 |
| PO12090 | 1x3P | 1200 | 900 |
| PO120100 | 1x3P | 1200 | 1000 |
| PO120120 | 1x3P | 1200 | 1200 |
| PO14060 | 1x3P | 1400 | 600 |
| PO14080 | 1x3P | 1400 | 800 |
| PO140100 | 1x3P | 1400 | 1000 |
| PO50100/PD | 1x3P | 500 | 1000 |
| PO60120/PD | 1x3P | 600 | 1200 |
| PO80100/PD | 1x3P | 800 | 1000 |
| PO80120/PD | 1x3P | 800 | 1200 |
| PO100100/PD | 1x3P | 1000 | 1000 |
| PO100120/PD | 1x3P | 1000 | 1200 |
| PO120100/PD | 1x3P | 1200 | 1000 |
| PO120120/PD | 1x3P | 1200 | 1200 |
| PO140100/PD | 1x3P | 1400 | 1000 |
| PO140120/PD | 1x3P | 1400 | 1200 |

MATERIAL: Cold rolled steel primed and painted RAL 7035.

CHARACTERISTICS: Doors supplied without lock. See locks on pages 46-48.

/PD: Double opaque doors.

Maximum load:

Doors from 250x200 to 800x800: 25 kg.

Doors from 800x1000 to 1400x1000: 40 kg.

FOR THE FOLLOWING CABINETS: GN - ATX.

ARGENTA

IP66 steel wall-mounting cabinets accessories

Spare doors (stainless steel)



| Reference No. | No. locks | For cabinet | |
|----------------|-----------|-------------|-------|
| | | HEIGHT | WIDTH |
| INXP03020 | 1 | 300 | 200 |
| INXP03025 | 1 | 300 | 250 |
| INXP03030 | 1 | 300 | 300 |
| INXP04030 | 1 | 400 | 300 |
| INXP04040 | 1 | 400 | 400 |
| INXP04060 | 1 | 400 | 600 |
| INXP05040 | 2 | 500 | 400 |
| INXP06040 | 2 | 600 | 400 |
| INXP06050 | 2 | 600 | 500 |
| INXP06060 | 2 | 600 | 600 |
| INXP07050 | 2 | 700 | 500 |
| INXP08060 | 2 | 800 | 600 |
| INXP08080 | 2 | 800 | 800 |
| INXP010080 | 1x3P | 1000 | 800 |
| INXP0100100/PD | 1x3P | 1000 | 1000 |
| INXP0120100/PD | 1x3P | 1200 | 1000 |

MATERIAL: AISI 304L stainless steel. Scotch 320 satin finish. Check availability for doors AISI 316L.

CHARACTERISTICS: Doors supplied without lock. See locks on pages 46-48.

/PD: Double opaque doors.

Maximum load: Doors from 250x200 to 800x800: 25 kg.

Doors from 800x1000 to 1400x1000: 40 kg.

FOR THE FOLLOWING CABINETS: INX - ATX/INX.

Assembly profiles for doors



| Reference No. | For door width (mm) | Pack |
|---------------|---------------------|------|
| PMP300 | 300 | 1 |
| PMP400 | 400 | 1 |
| PMP500 | 500 | 1 |
| PMP600 | 600 | 1 |
| PMP800 | 800 | 1 |
| PMP900 | 900 | 1 |
| PMP1000 | 1000 | 1 |
| PMP1200 | 1200 | 1 |

MATERIAL: Galvanised steel.

CHARACTERISTICS: Profile for fixing directly to the door. Fitting screws included. They facilitate installation of the door's inside elements.

SUPPLY: 1 profile per reference.

FOR THE FOLLOWING CABINETS: GN - ATX.

Rods



| Reference No. | Description |
|---------------|---------------------------------------------------|
| 48385 | Rods for cabinets with a height of up to 800 mm. |
| 48386 | Rods for cabinets with a height of up to 1000 mm. |
| 48387 | Rods for cabinets with a height of up to 1200 mm. |
| 48388 | Rods for cabinets with a height of up to 1400 mm. |

Spare hinge



| Reference No. | Description |
|---------------|----------------------------------------|
| 48635 | Argenta spare hinge (1 hinge + 1 bolt) |

MATERIAL: Steel with Geomet treatment.
SUPPLY: Bag with a hinge and a bolt.
FOR THE FOLLOWING CABINETS: GN.

Door retainer



| Reference No. | Description | For cabinet WIDTH |
|---------------|---------------------------------------------|----------------------|
| 48380 | Retainer L=130 for rolled steel cabinets | >250 to 1200 |
| 48383 | Retainer L=130 for stainless steel cabinets | >250 to 1200 |

MATERIAL: Cold rolled steel sheet, with galvanised pieces.
CHARACTERISTICS: It stops the door when it reaches the end of its path.
 It is not compatible with an inner door or chassis assembly.
FOR THE FOLLOWING CABINETS: GN - INX.

End of stroke switch



| Reference No. | Description |
|---------------|----------------------|
| 48462 | End of stroke switch |

CHARACTERISTICS: NC contact. Extendible from 122.5 to 165.5.
 It is not compatible with a chassis or inner door assembly.
FOR THE FOLLOWING CABINETS: GN - INX.

Document pocket



| Reference No. | Description |
|---------------|----------------------------------------------|
| 49385 | DIN A4 insulating document pocket 217x226x26 |

MATERIAL: Polystyrene.
CHARACTERISTICS: It can be fitted either by adhesive or screws (screws not included).
FOR THE FOLLOWING CABINETS: GN - ATX - INX.

ARGENTA

IP66 steel wall-mounting cabinets accessories

GN standard locks



Ref. 48450



Ref. 48414

| Reference No. | Description |
|---------------|-------------|
|---------------|-------------|

| | |
|--------------|--------------------------------------|
| 48450 | 1P 5-mm double-bit lock in polyamide |
|--------------|--------------------------------------|

CHARACTERISTICS: Housing and latch manufactured in RAL 7037 polyamide.
For cabinets with a height of up to 800 mm.
5-mm double-bit key in polyamide not included (Ref. 48449).

| | |
|--------------|-----------------------------------------------------|
| 48414 | 3P 5-mm double-bit lock in polyamide (without rods) |
|--------------|-----------------------------------------------------|

CHARACTERISTICS: Housing manufactured in RAL 7037 polyamide and latch in steel.
For cabinets as of a height of 1000 mm and double-door cabinets. Does not include rods for 3P lock.
5-mm double-bit key in zamak not included (Ref. 48460).

ATEX standard locks



Ref. 48405



Ref. 48406

| Reference No. | Description |
|---------------|-------------|
|---------------|-------------|

| | |
|--------------|------------------------------|
| 48405 | 1P ATEX 5-mm double-bit lock |
|--------------|------------------------------|

| | |
|--------------|---------------------------------------------|
| 48406 | 3P ATEX 5-mm double-bit lock (without rods) |
|--------------|---------------------------------------------|

CHARACTERISTICS: Made of chrome-plated zamak, with injected sealing gasket.
1P Locks: For cabinets with a height of up to 800 mm.
3P Locks: For cabinets as of a height of 1000 mm. Does not include rods for 3P lock.
Locks for installation in ATEX cabinets (rolled steel).
5-mm double-bit key in polyamide / zamak not included (Ref. 48449 / 48460). (See page 48).

ATEX-INOX standard locks



Ref. 48400



Ref. 48401

| Reference No. | Description |
|---------------|-------------|
|---------------|-------------|

| | |
|--------------|---------------------------------------------------|
| 48400 | 1P AISI 316L stainless steel 5-mm double-bit lock |
|--------------|---------------------------------------------------|

| | |
|--------------|------------------------------------------------------------------|
| 48401 | 3P AISI 316L stainless steel 5-mm double-bit lock (without rods) |
|--------------|------------------------------------------------------------------|

CHARACTERISTICS: Made of AISI 316L stainless steel.
1P Locks: For cabinets with a height of up to 800 mm.
3P Locks: For cabinets as of a height of 1000 mm. Does not include rods for 3P lock.
Locks for installation in ATEX cabinets (stainless steel).
5-mm double-bit key in polyamide / zamak not included (Ref. 48449 / 48460). (See page 48).

INOX standard locks



Ref. 48390



Ref. 48391

| Reference No. | Description |
|---------------|-------------|
|---------------|-------------|

| | |
|--------------|----------------------------------|
| 48390 | 1P 5-mm double-bit lock in zamak |
|--------------|----------------------------------|

| | |
|--------------|-------------------------------------------------|
| 48391 | 3P 5-mm double-bit lock in zamak (without rods) |
|--------------|-------------------------------------------------|

CHARACTERISTICS: Housing and latch made of painted zamak.
1P Locks: For cabinets with a height of up to 800 mm.
3P Locks: For cabinets as of a height of 1000 mm and double-door cabinets. Does not include rods for 3P lock.
5-mm double-bit key in polyamide / zamak not included (Ref. 48449 / 48460). (See page 48).

Locks with key



Ref. 48456



Ref. 48496

| Reference No. | Description |
|---------------|-----------------------------------------------------|
| 48456 | 1P 1/4 turn lock with key code 333 |
| 48496 | 3P 1/4 turn lock with key code 333 (without rods) |
| 48493 | 1P 1/4 turn lock with key code 405 |
| 48580 | 3P 1/4 turn lock with key code 405 (without rods) |
| 48495 | 1P 1/4 turn lock with key code 1242E |
| 48589 | 3P 1/4 turn lock with key code 1242E (without rods) |

CHARACTERISTICS: Housing manufactured in RAL 7037 polyamide and latch in steel.

1P Locks: For cabinets with a height of up to 800 mm.

3P Locks: For cabinets as of a height of 1000 mm and double-door cabinets. Does not include rods for 3P lock.

Keys are included. (Consult spare references on page 48).

Wing nut locks



Ref. 48412



Ref. 48413

| Reference No. | Description |
|---------------|-----------------------------------------------------|
| 48412 | 1P 1/4 turn lock with fixed wing nut |
| 48413 | 3P 1/4 turn lock with fixed wing nut (without rods) |

CHARACTERISTICS: Fixed wing nut without key.

1P Locks: Housing and latch in black polyamide. For cabinets with a height of up to 800 mm.

3P Locks: Housing manufactured in black polyamide and latch in steel. For cabinets as of a height of 1000 mm and double-door cabinets. Does not include rods for 3P lock.



Ref. 48409



Ref. 48410

| | |
|--------------|------------------------------------------------------------|
| 48409 | 1P JIS 1/4 turn lock with wing nut with key |
| 48410 | 3P JIS 1/4 turn lock with wing nut with key (without rods) |

CHARACTERISTICS: Housing manufactured in black polyamide and latch in steel. Aluminum key included (1 piece).

1P Locks: For cabinets with a height of up to 800 mm.

3P Locks: For cabinets as of a height of 1000 mm and double-door cabinets. Does not include rods for 3P lock.



Ref. 48457



Ref. 48411

| | |
|--------------|-----------------------------------------------------------------|
| 48457 | 1P 1/4 turn lock with wing nut with key code 333 |
| 48411 | 3P 1/4 turn lock with wing nut with key code 333 (without rods) |

| | |
|--------------|-----------------------------------------------------------------|
| 48590 | 1P 1/4 turn lock with wing nut with key code 405 |
| 48591 | 3P 1/4 turn lock with wing nut with key code 405 (without rods) |

| | |
|--------------|-------------------------------------------------------------------|
| 48587 | 1P 1/4 turn lock with wing nut with key code 1242E |
| 48592 | 3P 1/4 turn lock with wing nut with key code 1242E (without rods) |

CHARACTERISTICS: Housing manufactured in black polyamide.

1P Locks: For cabinets with a height of up to 800 mm. Latch in black polyamide.










3P Locks: For cabinets as of a height of 1000 mm and double-door cabinets. Does not include rods for 3P lock. Latch in steel.

Keys are included. (Consult spare references on page 48).






ARGENTA

IP66 steel wall-mounting cabinets accessories

Triangle and square locks

| | Reference No. | Description |
|---------------------------------------------------------------------------------------------------------------------------------------------------------------------------------------------------------------------------------------------------------------------------------------------------------------------------------------------------------------------------------------------------------------|---------------|---------------------------------------------------------------------------|
|  | 48546 | 1P triangle lock + 6.5-mm triangle key in zamak |
|  | 48547 | 3P triangle lock + 6.5-mm triangle key in zamak (without rods) |
| Ref. 48546 | Ref. 48547 | |
|  | 48451 | 1P triangle lock + 8-mm triangle key in zamak |
|  | 48415 | 3P triangle lock + 8-mm triangle key in zamak (without rods) |
| Ref. 48451 | Ref. 48415 | |
|  | 48501 | 1P triangle lock for padlock + 11-mm triangle key in zamak |
|  | 48404 | 3P triangle lock for padlock + 11-mm triangle key in zamak (without rods) |
| Ref. 48501 | Ref. 48404 | |
|  | 48455 | 1P square lock + 7-mm square polyamide key |
|  | 48540 | 3P square lock + 7-mm square polyamide key (without rods) |
| Ref. 48455 | Ref. 48540 | |
| <p>CHARACTERISTICS: 1P Locks: Housing and latch manufactured in polyamide. For cabinets with a height of up to 800 mm. 3P Locks: Housing manufactured in polyamide and latch in steel. For cabinets as of a height of 1000 mm and double-door cabinets. Does not include rods for 3P lock. All the references supplied include the corresponding key.</p> | | |
|  | 29266 | Stainless steel interlocking for padlock |
| Ref. 29266 | | |

Keys

| | Reference No. | Description |
|-------------------------------------------------------------------------------------|---------------|----------------------------------|
|  | 48449 | 5-mm double-bit key in polyamide |
|  | 48460 | 5-mm double-bit key in zamak |
| Ref. 48449 | Ref. 48460 | |
|  | 48550 | 1/4 turn key code 333 |
| Ref. 48550 | 48593 | 1/4 turn key code 405 |
| | 48594 | 1/4 turn key code 1242E |
|  | 48551 | 8-mm triangle key in zamak |
|  | 48552 | 7-mm polyamide square key |
| Ref. 48551 | Ref. 48552 | |

Wall-mounting support



| Reference No. | Description |
|---------------|-----------------------------------------------------------|
| 48423 | Galvanised wall-mounting support (4-piece pack) |
| 48623 | 316L stainless steel wall-mounting support (4-piece pack) |

MATERIAL: Galvanised steel or AISI 316L stainless steel.
CHARACTERISTICS: They are attached to the rear part of the cabinet vertically or horizontally.
 11-mm wall separation.
 Maximum horizontal or vertical load: 490 kg.
SUPPLY: Pack of 4 supports.
FOR THE FOLLOWING CABINETS: GN - INX.

External fixing



| Reference No. | Description |
|---------------|-----------------------------------|
| 48422 | Inner hook fitting (4-piece pack) |

MATERIAL: Galvanised steel.
CHARACTERISTICS: Inner fixing support for screwing in the hangers from the outside of the cabinet.
SUPPLY: 4-piece pack.
FOR THE FOLLOWING CABINETS: GN.

Post attachment



| Reference No. | Description |
|---------------|----------------------------------------------|
| 48420/3040 | Post attachment for cabinet width 300-400 mm |
| 48420/5060 | Post attachment for cabinet width 500-600 mm |
| 48420/7080 | Post attachment for cabinet width 700-800 mm |

MATERIAL: Galvanised steel.
CHARACTERISTICS: It includes the guides, clamps and screws required for installation. The support is suitable for circular columns with a diameter of 100 to 200 mm and for square columns with a side of 60 to 100 mm. For cabinets from 300 mm to 800 mm wide.
 Maximum load: 130 kg.
SUPPLY: 2-piece pack.
FOR THE FOLLOWING CABINETS: GN.

Lifting eyebolts



| Reference No. | Description |
|---------------|-------------------------------------|
| 48475 | M12 Lifting eyebolts (2-piece pack) |

MATERIAL: Galvanised steel.
CHARACTERISTICS: They are fitted at the top of the cabinet using M12 nuts. They cannot be assembled if there is a canopy in place.
SUPPLY: 2-piece pack.
FOR THE FOLLOWING CABINETS: GN - INX.

Argenta support stand



| Reference No. | Description | Dimensions |
|---------------|----------------------------------------------|------------|
| | | HEIGHT |
| 49730 | Galvanised steel support painted in RAL 7035 | 900 |
| 49731 | AISI 304L stainless steel support | 900 |

MATERIAL: RAL 7035 galvanised steel or AISI 304L stainless steel.
FOR THE FOLLOWING CABINETS: GN-INX.



IP66 Steel terminal boxes

The terminal boxes range is available in various versions to fit the needs of every installer. They are available in cold rolled steel, in AISI 304L and AISI 316L stainless steel, and in ATEX-marked stainless steel (see the specific ATEX section on page 76).

They are intended for the industrial sector as a machine tool and automation system control box. They are available in a wide variety of sizes, with plain sides or lids for cable entries (see rolled steel version).

They have a closing system that uses quick-release screws with watertight caps to ensure greater security.

The design and manufacture of this line is perfectly suited to special applications that require particular dimensions or the specific mechanisation of a product to meet the requirements of the installation.



TECNO Technical Specifications (Rolled steel)

- Degree of protection: IP66 / NEMA 1, 4, 12.
- Resistance to impact: IK10.
- Ambient temperature range: -25 °C / +40 °C.
- Maximum rated operating voltage: 1000 V AC / 1500 V DC.

(See references on page 54)

TECNO INOX Technical Specifications (Stainless steel)

- Degree of protection: IP66 / NEMA 1, 4, 4x, 12.
- Resistance to impact: IK10.
- Ambient temperature range: -25 °C / +40 °C.
- Maximum rated operating voltage: 1000 V AC / 1500 V DC.

(See references on page 58)

TECNO Certifications



Compliant with the Low Voltage Directive 2014/35/EU.
Standard: UNE-EN 62208.
UL508A certificate (Rolled steel boxes).

TECNO

IP66 rolled steel terminal boxes



Product series (Rolled steel)

Standard

- Boxes with plain sides and screw-on cover with depths of 90 mm and 135 mm.
- Boxes with cable entry and screw-on cover with a depth of 135 mm.

To order

- Special boxes, dimensions, cut-outs, colours, etc.

Supply

Supplied in individual packaging containing the enclosure, lid and the accessory bag.

Accessory bag:

- Screws plus caps for enclosure-lid fixing.
- Side and central brackets (central bracket only for boxes with height of 600 mm and 800 mm).
- Cable entry lid plus screws (only included in EXA type references).
- Ø9 mm caps for wall mounting and drainage.
- Assembly instructions.

Aimed at industrial environments requiring a high degree of protection against dust, splashes and impacts

Material

- Cold-rolled steel EN 10130+A1.
- Injected polyurethane sealing gasket.

Finish

- Coated with hardened RAL 7035 embossed polyester paint, with UV protection.

Protection

- Corrosion resistance according to the UNE-EN 62208 standard. For outdoor installations, the effect of the corrosion must be taken into consideration.

Standard painting cycle

- **Degreasing:** Removal of remains of contaminants by means of a neutral stripper and tensoactive concentrate.
- **Rinsing:** Two rinses, the first one with mains water and the second one with demineralised water.
- **Passivation:** Thin-coat conversion agent.
- **Drying:** With hot air (in a tunnel at 100 °C).
- **Painting:** Coated with hardened RAL 7035 polyester paint.
- **Firing:** Furnace polymerisation adherence at 180 °C for 15-20 min.



Enclosure

- Manufactured in cold-rolled steel from a single cross-shaped part.
- Sheet steel with a thickness of 1.2 mm.
- Wall-mounting by means of four $\varnothing 9$ mm cut-out holes 20x20 mm located from the outside. They can also be wall-mounted by means of a bracket that leaves a gap of 11 mm (supplied as an accessory).
- Double tilt fold improving the contact with the lid to ensure the exact tightening and increasing the opening frame space of the box.
- There is a $\varnothing 9$ mm drainage cut-out at the base of the box in order to prevent condensation on the inside.
- For the version of boxes with cable entry, the entry space is 65x195 mm in all references. The entry is compatible with FL21-type frame.
- M6x10 bolts, two or four pieces depending on the versions, located at the base of the box to secure the side and central brackets used to fix plates, profiles or accessories. One of the bolts can be used to earth the unit.

Mounting brackets

- The side and central mounting brackets are secured by the M6x10 bolts located in the base of the box by means of M6 nuts.
- They permit multiple rail and plate positioning combinations, adapting to the needs of the installer. These accessories will be joined by means of 4 mm sheet metal screws inserted into the existing housings in the brackets intended for this purpose.
- The boxes with a height of 150 to 500 mm have 2 side brackets.
- The boxes with a height of 600 to 800 mm have 2 side brackets plus 1 central bracket.



Lid

- The lid is totally flat, thus permitting the attachment of pilot lights, control elements or silkscreen printing of internal systems.
- The inside of the lid is coated by a injected polyurethane sealing gasket that guarantees IP66 protection against water and foreign bodies.
- M6x10 bolt for connection guaranteeing mass continuity.
- The lid is fastened with fast jackscrews with watertight caps to guarantee perfect fixing.
- Sloping sides increasing the contact with the enclosure guaranteeing the exact tightening.

Mounting plate

- Plate not included in the unit, supplied as an accessory.
- Made from galvanised sheet steel with a thickness of 2 mm.
- It is fixed to the brackets by means of 4-mm sheet metal screws.
- For bases with a central bracket, a single plate, double plate or a plate occupying half of the base may be fitted.

Hinges

- Possibility of installing hinges, both in height and width, thanks to the built-in slit incorporated both in the enclosure and cover for screw insertion. Hinges are supplied as accessories.

IP66 boxes with cable entry and screw-on lid. Rolled steel

| Reference No. | Dimensions | Opening frame space | Drawing | Sheet thickness | | Cable entry | | Plate brackets | | Weight | Power dissipation according to temperature increase °C P(W)* | | | | |
|---------------|-------------|---------------------|-----------|-----------------|-----|-------------|-----------|----------------|-------|--------|--------------------------------------------------------------|------|-------|-------|-------|
| | | | | ENCL. | LID | ENT. IN A | ENT. IN B | SIDE | CENT. | | KG | 20 | 25 | 30 | 35 |
| EXA3015135 | 300x150x135 | 275x125 | Drawing 3 | 1.2 | 1.2 | 1 | 0 | 2 | - | 2.9 | 17.2 | 21.5 | 25.8 | 30.1 | 34.4 |
| EXA3020135 | 300x200x135 | 275x175 | Drawing 3 | 1.2 | 1.2 | 1 | 0 | 2 | - | 3.5 | 21.4 | 26.8 | 32.1 | 37.5 | 42.8 |
| EXA3030135 | 300x300x135 | 275x275 | Drawing 3 | 1.2 | 1.2 | 1 | 1 | 2 | - | 5.0 | 28.1 | 35.1 | 42.2 | 49.2 | 56.2 |
| EXA4020135 | 400x200x135 | 375x175 | Drawing 3 | 1.2 | 1.2 | 1 | 0 | 2 | - | 4.0 | 27.2 | 34.0 | 40.8 | 47.5 | 54.3 |
| EXA4030135 | 400x300x135 | 375x275 | Drawing 3 | 1.2 | 1.2 | 1 | 1 | 2 | - | 5.9 | 35.4 | 44.3 | 53.1 | 62.0 | 70.8 |
| EXA4040135 | 400x400x135 | 375x375 | Drawing 3 | 1.2 | 1.2 | 1 | 1 | 2 | - | 7.3 | 43.6 | 54.6 | 65.5 | 76.4 | 87.3 |
| EXA5020135 | 500x200x135 | 475x175 | Drawing 3 | 1.2 | 1.2 | 2 | 0 | 2 | - | 5.3 | 32.9 | 41.2 | 49.4 | 57.6 | 65.8 |
| EXA5030135 | 500x300x135 | 475x275 | Drawing 3 | 1.2 | 1.2 | 2 | 1 | 2 | - | 7.2 | 42.7 | 53.4 | 64.1 | 74.7 | 85.4 |
| EXA6020135 | 600x200x135 | 575x175 | Drawing 4 | 1.2 | 1.2 | 2 | 0 | 2 | 1 | 6.3 | 38.7 | 48.3 | 58.0 | 67.7 | 77.4 |
| EXA6030135 | 600x300x135 | 575x275 | Drawing 4 | 1.2 | 1.2 | 2 | 1 | 2 | 1 | 7.2 | 50.0 | 62.5 | 75.0 | 87.5 | 100.0 |
| EXA6040135 | 600x400x135 | 575x375 | Drawing 4 | 1.2 | 1.2 | 2 | 1 | 2 | 1 | 10.5 | 61.3 | 76.6 | 92.0 | 107.3 | 122.6 |
| EXA8020135 | 800x200x135 | 775x175 | Drawing 4 | 1.2 | 1.2 | 3 | 0 | 2 | 1 | 8.2 | 50.2 | 62.7 | 75.3 | 87.8 | 100.4 |
| EXA8040135 | 800x400x135 | 775x375 | Drawing 4 | 1.2 | 1.2 | 3 | 1 | 2 | 1 | 13.3 | 79.0 | 98.7 | 118.5 | 138.2 | 158.0 |

IP66 boxes with plain sides and screw-on lid. Rolled steel

| Reference No. | Dimensions | Opening frame space | Drawing | Sheet thickness | | Plate supports | | Weight | Power dissipation according to temperature increase °C P(W)* | | | | |
|---------------|-------------|---------------------|-----------|-----------------|-----|----------------|-------|--------|--------------------------------------------------------------|------|------|-------|-------|
| | | | | ENCL. | LID | SIDE | CENT. | | KG | 20 | 25 | 30 | 35 |
| ELA151590 | 150x150x90 | 125x125 | Drawing 1 | 1.2 | 1.2 | 2 | - | 1.3 | 8.5 | 10.6 | 12.7 | 14.8 | 17.0 |
| ELA201590 | 200x150x90 | 175x125 | Drawing 1 | 1.2 | 1.2 | 2 | - | 1.6 | 10.6 | 13.2 | 15.9 | 18.5 | 21.2 |
| ELA202090 | 200x200x90 | 175x175 | Drawing 1 | 1.2 | 1.2 | 2 | - | 2.0 | 12.8 | 16.1 | 19.3 | 22.5 | 25.7 |
| ELA301590 | 300x150x90 | 275x125 | Drawing 1 | 1.2 | 1.2 | 2 | - | 2.1 | 14.8 | 18.5 | 22.2 | 25.8 | 29.5 |
| ELA302090 | 300x200x90 | 275x175 | Drawing 1 | 1.2 | 1.2 | 2 | - | 2.6 | 17.8 | 22.3 | 26.7 | 31.2 | 35.6 |
| ELA402090 | 400x200x90 | 375x175 | Drawing 1 | 1.2 | 1.2 | 2 | - | 3.3 | 22.8 | 28.5 | 34.2 | 39.8 | 45.5 |
| ELA1515135 | 150x150x135 | 125x125 | Drawing 1 | 1.2 | 1.2 | 2 | - | 1.6 | 10.6 | 13.2 | 15.9 | 18.5 | 21.2 |
| ELA2015135 | 200x150x135 | 175x125 | Drawing 1 | 1.2 | 1.2 | 2 | - | 1.9 | 13.1 | 16.4 | 19.6 | 22.9 | 26.2 |
| ELA2020135 | 200x200x135 | 175x175 | Drawing 1 | 1.2 | 1.2 | 2 | - | 2.4 | 15.7 | 19.6 | 23.5 | 27.4 | 31.3 |
| ELA3015135 | 300x150x135 | 275x125 | Drawing 1 | 1.2 | 1.2 | 2 | - | 2.5 | 18.1 | 22.6 | 27.1 | 31.6 | 36.1 |
| ELA3020135 | 300x200x135 | 275x175 | Drawing 1 | 1.2 | 1.2 | 2 | - | 3.1 | 21.4 | 26.8 | 32.1 | 37.5 | 42.8 |
| ELA3030135 | 300x300x135 | 275x275 | Drawing 1 | 1.2 | 1.2 | 2 | - | 4.2 | 28.1 | 35.1 | 42.2 | 49.2 | 56.2 |
| ELA4020135 | 400x200x135 | 375x175 | Drawing 1 | 1.2 | 1.2 | 2 | - | 3.8 | 27.2 | 34.0 | 40.8 | 47.5 | 54.3 |
| ELA4030135 | 400x300x135 | 375x275 | Drawing 1 | 1.2 | 1.2 | 2 | - | 5.2 | 35.4 | 44.3 | 53.1 | 62.0 | 70.8 |
| ELA4040135 | 400x400x135 | 375x375 | Drawing 1 | 1.2 | 1.2 | 2 | - | 6.5 | 43.6 | 54.6 | 65.5 | 76.4 | 87.3 |
| ELA5020135 | 500x200x135 | 475x175 | Drawing 1 | 1.2 | 1.2 | 2 | - | 4.5 | 32.9 | 41.2 | 49.4 | 57.6 | 65.8 |
| ELA5030135 | 500x300x135 | 475x275 | Drawing 2 | 1.2 | 1.2 | 2 | - | 6.1 | 42.7 | 53.4 | 64.1 | 74.7 | 85.4 |
| ELA6020135 | 600x200x135 | 575x175 | Drawing 2 | 1.2 | 1.2 | 2 | 1 | 5.6 | 38.7 | 48.3 | 58.0 | 67.7 | 77.4 |
| ELA6040135 | 600x400x135 | 575x375 | Drawing 2 | 1.2 | 1.2 | 2 | 1 | 9.4 | 61.3 | 76.6 | 92.0 | 107.3 | 122.6 |
| ELA8020135 | 800x200x135 | 775x175 | Drawing 2 | 1.2 | 1.2 | 2 | 1 | 7.0 | 50.2 | 62.7 | 75.3 | 87.8 | 100.4 |

IP66 / NEMA 1, 4, 12.

RAL 7035 rolled steel.

Injected polyurethane sealing gasket.

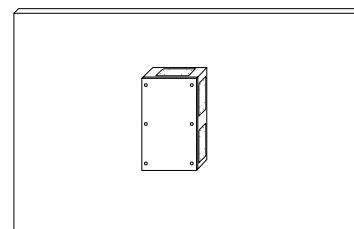
Boxes supplied without mounting plates.

UL certificate available for heights up to 600 mm.

For special boxes, check availability of UL certificate.

* Calculations obtained according to the CEI 890:1997 standard + Corrigendum 1998; "Method of temperature-rise assessment by extrapolation for partially type-tested assemblies (PTTA) of low-voltage switchgear and control gear".

SEE ACCESSORIES ON PAGE 62.





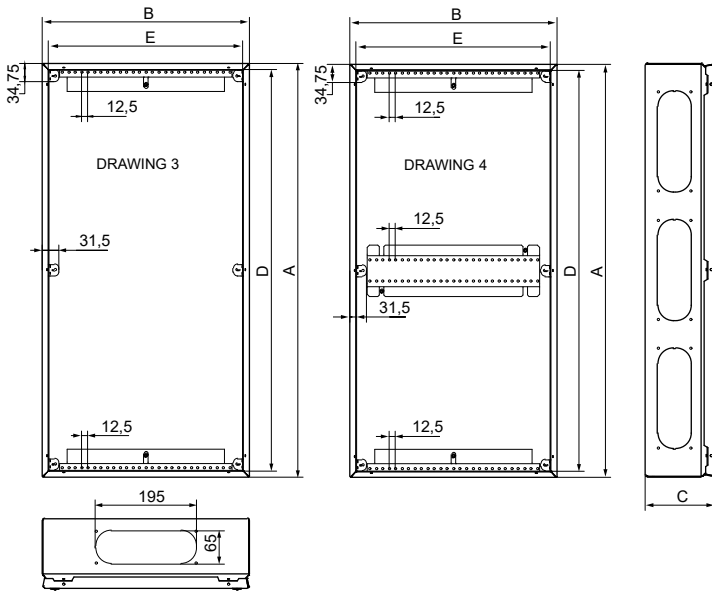
Box with plain sides



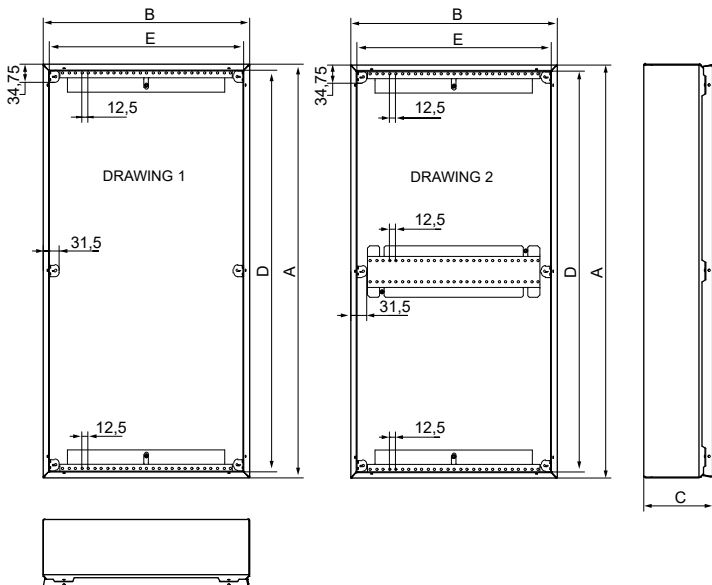
Box with cable entry

Dimensions: Tecno rolled steel

With cable entry



With plain sides



TECNO INOX

IP66 stainless steel terminal boxes



Product series (Stainless steel)

Standard

- AISI 304L and 316L stainless steel boxes, with plain sides and screw-on cover with depths of 90 mm and 135 mm.
- AISI 304L and 316L stainless steel hinged boxes, with plain sides and screw-on cover with depth of 135 mm.

To order

- AISI 304L and 316L stainless steel boxes with cable entry and screw-on cover with a depth of 135 mm.
- Special boxes, dimensions, cut-outs, colours, etc.

Supply

Supplied in individual packaging containing enclosure, lid and accessories bags.

- Boxes are supplied with protective film or, failing that, bagged.
- Lid and enclosure supplied unbolted.
- Screws and washers for the enclosure-lid mounting.
- Plate height adjusters, watertight caps and M6 nuts.
- Earth connection labels.
- Assembly instructions.

Intended for industrial environments and outdoor facilities with aggressive agents or saline environments

Recommended applications

- **AISI 304L:** Industrial environments and outdoor facilities with aggressive agents or saline environments; food, chemical and petrochemical industries, where a high degree of hygiene is required.
- **AISI 316L:** All previous applications and, in addition, sea ports and areas with a high salt or chlorine concentration.

Material

- AISI 304L - AISI 316L stainless steel.
- Injected polyurethane sealing gasket.

Finish

- Scotch 320 satin finish.



Enclosure

- Manufactured in AISI 304L or 316L stainless steel from a single cross-shaped part.
- Reduced-width drainage fold and mounting wings specially designed to get the perfect fit between enclosure and lid.
- M6x22 rivet nut on one side for external earth connection.
- M6x10 earth connection bolt in both enclosure and lid.
- Four cut-out holes to attach the wall hangers (not included in the set).
- Four M6x20 bolts on the base of the box to fasten the mounting plate (not included in the set).

Lid

- The lid is totally flat, thus permitting the attachment of pilot lights, control elements
- The inside of the lid is coated by a injected polyurethane sealing gasket that guarantees the unit's IP66 protection.
- M6x10 bolt for connection guaranteeing mass continuity.
- Lid closure using stainless steel bolts and Teflon seal, thus ensuring a perfect attachment between lid and enclosure.
- The closing screw has a special design that limits its travel, guaranteeing exact tightening and the unit's degree of protection.



Mounting plate

- Plate not included in the unit, supplied as an accessory.
- Made from galvanised sheet steel with a thickness of 2 mm.
- The mounting plate is fastened with M6 nuts to the four M6x20 bolts on the base of the box.

TECNO INOX

IP66 stainless steel terminal boxes

IP66 boxes with plain sides and screw-on lid. AISI 304L Stainless steel

| Reference No. | Dimensions (AXBXC) | Opening frame space (DXE) | Sheet thickness | | Weight KG | Power dissipation according to temperature increase °C P(W)* | | | | |
|----------------|-----------------------|---------------------------------|--------------------|-----|--------------|-----------------------------------------------------------------|-------|-------|-------|-------|
| | | | ENCL. | LID | | 20 | 25 | 30 | 35 | 40 |
| ELA151590/INX | 150x150x90 | 125x125 | 1.2 | 1.2 | 1.2 | 8.20 | 10.30 | 12.30 | 14.40 | 16.40 |
| ELA201590/INX | 200x150x90 | 175x125 | 1.2 | 1.2 | 1.5 | 10.30 | 12.80 | 15.40 | 18.00 | 20.50 |
| ELA202090/INX | 200x200x90 | 175x175 | 1.2 | 1.2 | 2.2 | 12.50 | 15.60 | 18.70 | 21.90 | 25.00 |
| ELA301590/INX | 300x150x90 | 275x125 | 1.2 | 1.2 | 1.9 | 14.40 | 17.90 | 21.50 | 25.10 | 28.70 |
| ELA302090/INX | 300x200x90 | 275x175 | 1.2 | 1.2 | 2.8 | 17.40 | 21.70 | 26.00 | 30.40 | 34.70 |
| ELA402090/INX | 400x200x90 | 375x175 | 1.2 | 1.2 | 2.9 | 22.20 | 27.80 | 33.30 | 38.90 | 44.40 |
| ELA1515135/INX | 150x150x135 | 125x125 | 1.2 | 1.2 | 1.5 | 10.60 | 13.20 | 15.90 | 18.50 | 21.20 |
| ELA2015135/INX | 200x150x135 | 175x125 | 1.2 | 1.2 | 2.2 | 13.10 | 16.40 | 19.60 | 22.90 | 26.20 |
| ELA2020135/INX | 200x200x135 | 175x175 | 1.2 | 1.2 | 2.1 | 15.70 | 19.60 | 23.50 | 27.40 | 31.30 |
| ELA3015135/INX | 300x150x135 | 275x125 | 1.2 | 1.2 | 2.9 | 18.10 | 22.60 | 27.10 | 31.60 | 36.10 |
| ELA3020135/INX | 300x200x135 | 275x175 | 1.2 | 1.2 | 3.3 | 21.40 | 26.80 | 32.10 | 37.50 | 42.80 |
| ELA3030135/INX | 300x300x135 | 275x275 | 1.2 | 1.2 | 3.7 | 28.10 | 35.10 | 42.20 | 49.20 | 56.20 |
| ELA4020135/INX | 400x200x135 | 375x175 | 1.2 | 1.2 | 3.5 | 27.20 | 34.00 | 40.80 | 47.50 | 54.30 |
| ELA4030135/INX | 400x300x135 | 375x275 | 1.2 | 1.2 | 5.3 | 35.40 | 44.30 | 53.10 | 62.00 | 70.80 |
| ELA4040135/INX | 400x400x135 | 375x375 | 1.2 | 1.2 | 6.0 | 43.60 | 54.60 | 65.50 | 76.40 | 87.30 |
| ELA5020135/INX | 500x200x135 | 475x175 | 1.2 | 1.2 | 4.1 | 32.90 | 41.20 | 49.40 | 57.60 | 65.80 |
| ELA5030135/INX | 500x300x135 | 475x275 | 1.2 | 1.2 | 5.5 | 42.70 | 53.40 | 64.10 | 74.70 | 85.40 |

IP66 / NEMA 1, 4, 4x, 12.

AISI 304L Stainless steel. Scotch 320 satin finish.

Polyurethane sealing gasket.

Boxes supplied without mounting plates.

IP66 boxes with plain sides and screw-on lid. AISI 316L Stainless steel

| Reference No. | Dimensions (AXBXC) | Opening frame space (DXE) | Sheet thickness | | Weight KG | Power dissipation according to temperature increase °C P(W)* | | | | |
|--------------------|-----------------------|---------------------------------|--------------------|-----|--------------|-----------------------------------------------------------------|-------|-------|-------|-------|
| | | | ENCL. | LID | | 20 | 25 | 30 | 35 | 40 |
| ELA151590/INX-316 | 150x150x90 | 125x125 | 1.2 | 1.2 | 1.2 | 8.20 | 10.30 | 12.30 | 14.40 | 16.40 |
| ELA201590/INX-316 | 200x150x90 | 175x125 | 1.2 | 1.2 | 1.5 | 10.30 | 12.80 | 15.40 | 18.00 | 20.50 |
| ELA202090/INX-316 | 200x200x90 | 175x175 | 1.2 | 1.2 | 1.8 | 12.50 | 15.60 | 18.70 | 21.90 | 25.00 |
| ELA301590/INX-316 | 300x150x90 | 275x125 | 1.2 | 1.2 | 1.9 | 14.40 | 17.90 | 21.50 | 25.10 | 28.70 |
| ELA302090/INX-316 | 300x200x90 | 275x175 | 1.2 | 1.2 | 2.3 | 17.40 | 21.70 | 26.00 | 30.40 | 34.70 |
| ELA402090/INX-316 | 400x200x90 | 375x175 | 1.2 | 1.2 | 3.1 | 22.20 | 27.80 | 33.30 | 38.90 | 44.40 |
| ELA1515135/INX-316 | 150x150x135 | 125x125 | 1.2 | 1.2 | 1.4 | 10.60 | 13.20 | 15.90 | 18.50 | 21.20 |
| ELA2015135/INX-316 | 200x150x135 | 175x125 | 1.2 | 1.2 | 1.8 | 13.10 | 16.40 | 19.60 | 22.90 | 26.20 |
| ELA2020135/INX-316 | 200x200x135 | 175x175 | 1.2 | 1.2 | 2.1 | 15.70 | 19.60 | 23.50 | 27.40 | 31.30 |
| ELA3015135/INX-316 | 300x150x135 | 275x125 | 1.2 | 1.2 | 2.3 | 18.10 | 22.60 | 27.10 | 31.60 | 36.10 |
| ELA3020135/INX-316 | 300x200x135 | 275x175 | 1.2 | 1.2 | 2.7 | 21.40 | 26.80 | 32.10 | 37.50 | 42.80 |
| ELA3030135/INX-316 | 300x300x135 | 275x275 | 1.2 | 1.2 | 3.7 | 28.10 | 35.10 | 42.20 | 49.20 | 56.20 |
| ELA4020135/INX-316 | 400x200x135 | 375x175 | 1.2 | 1.2 | 3.4 | 27.20 | 34.00 | 40.80 | 47.50 | 54.30 |
| ELA4030135/INX-316 | 400x300x135 | 375x275 | 1.2 | 1.2 | 4.7 | 35.40 | 44.30 | 53.10 | 62.00 | 70.80 |
| ELA4040135/INX-316 | 400x400x135 | 375x375 | 1.2 | 1.2 | 5.7 | 43.60 | 54.60 | 65.50 | 76.40 | 87.30 |
| ELA5020135/INX-316 | 500x200x135 | 475x175 | 1.2 | 1.2 | 4.9 | 32.90 | 41.20 | 49.40 | 57.60 | 65.80 |
| ELA5030135/INX-316 | 500x300x135 | 475x275 | 1.2 | 1.2 | 5.1 | 42.70 | 53.40 | 64.10 | 74.70 | 85.40 |

IP66 / NEMA 1, 4, 4x, 12.

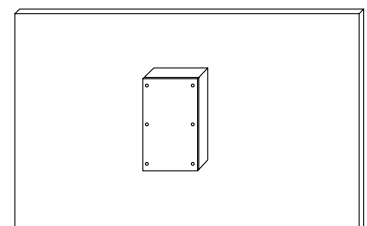
AISI 316L Stainless steel. Scotch 320 satin finish.

Polyurethane sealing gasket.

Boxes supplied without mounting plates.

* Calculations obtained according to the CEI 890:1997 standard + Corrigendum 1998; "Method of temperature-rise assessment by extrapolation for partially type-tested assemblies (PTTA) of low-voltage switchgear and control gear".

SEE ACCESSORIES ON PAGE 62.

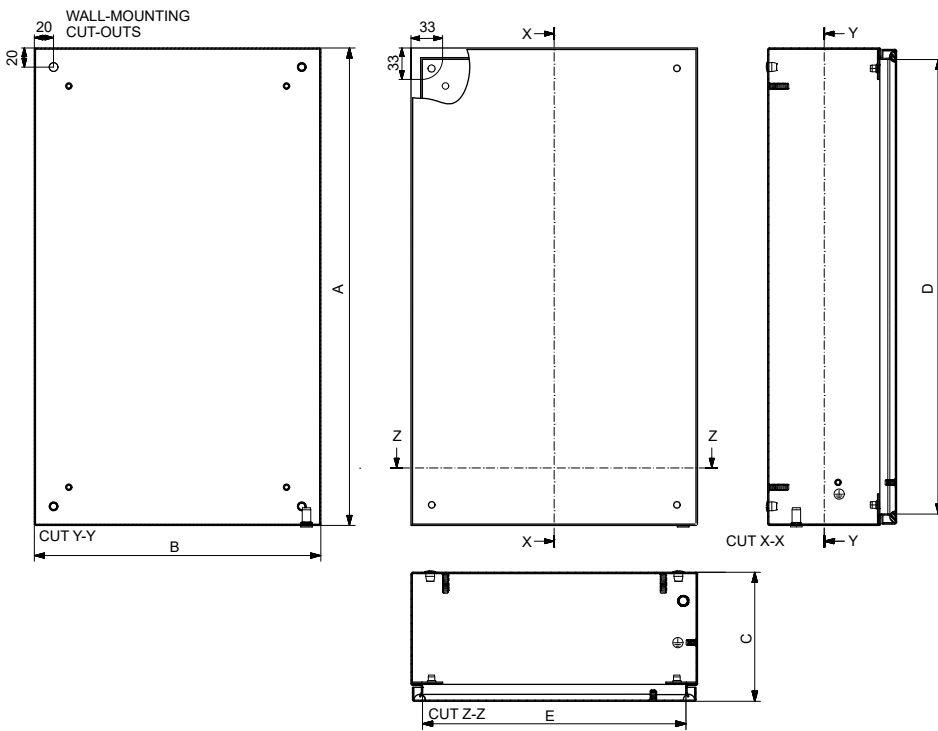




Stainless steel boxes with plain sides and screw-on lid

Dimensions: Tecno stainless steel

With plain sides and screw-on lid



TECNO INOX

IP66 stainless steel terminal boxes

IP66 boxes with plain sides and hinged lid. AISI 304L Stainless steel

| Reference No. | Dimensions [AXBXC] | Opening frame space [DXE] | Sheet thickness | | Weight KG | Power dissipation according to temperature increase °C P(W)* | | | | |
|-----------------|-----------------------|---------------------------------|--------------------|-----|--------------|-----------------------------------------------------------------|-------|-------|-------|-------|
| | | | ENCL. | LID | | 20 | 25 | 30 | 35 | 40 |
| ELAB1515135/INX | 150x150x135 | 125x115 | 1.2 | 1.2 | 1.5 | 10.60 | 13.20 | 15.90 | 18.50 | 21.20 |
| ELAB2015135/INX | 200x150x135 | 175x115 | 1.2 | 1.2 | 2.2 | 13.10 | 16.40 | 19.60 | 22.90 | 26.20 |
| ELAB2020135/INX | 200x200x135 | 175x165 | 1.2 | 1.2 | 2.1 | 15.70 | 19.60 | 23.50 | 27.40 | 31.30 |
| ELAB3015135/INX | 300x150x135 | 275x115 | 1.2 | 1.2 | 2.9 | 18.10 | 22.60 | 27.10 | 31.60 | 36.10 |
| ELAB3020135/INX | 300x200x135 | 275x165 | 1.2 | 1.2 | 3.3 | 21.40 | 26.80 | 32.10 | 37.50 | 42.80 |
| ELAB3030135/INX | 300x300x135 | 275x265 | 1.2 | 1.2 | 3.7 | 28.10 | 35.10 | 42.20 | 49.20 | 56.20 |
| ELAB4020135/INX | 400x200x135 | 375x165 | 1.2 | 1.2 | 3.5 | 27.20 | 34.00 | 40.80 | 47.50 | 54.30 |
| ELAB4030135/INX | 400x300x135 | 375x265 | 1.2 | 1.2 | 5.3 | 35.40 | 44.30 | 53.10 | 62.00 | 70.80 |
| ELAB4040135/INX | 400x400x135 | 375x365 | 1.2 | 1.2 | 6.0 | 43.60 | 54.60 | 65.50 | 76.40 | 87.30 |

IP66 / NEMA 1, 4, 4x, 12.

AISI 304L Stainless steel. Scotch 320 satin finish.

Polyurethane sealing gasket.

Boxes supplied without mounting plates.

IP66 boxes with plain sides and hinged lid. AISI 316L Stainless steel

| Reference No. | Dimensions [AXBXC] | Opening frame space [DXE] | Sheet thickness | | Weight KG | Power dissipation according to temperature increase °C P(W)* | | | | |
|---------------------|-----------------------|---------------------------------|--------------------|-----|--------------|-----------------------------------------------------------------|-------|-------|-------|-------|
| | | | ENCL. | LID | | 20 | 25 | 30 | 35 | 40 |
| ELAB1515135/INX-316 | 150x150x135 | 125x115 | 1.2 | 1.2 | 1.4 | 10.60 | 13.20 | 15.90 | 18.50 | 21.20 |
| ELAB2015135/INX-316 | 200x150x135 | 175x115 | 1.2 | 1.2 | 1.8 | 13.10 | 16.40 | 19.60 | 22.90 | 26.20 |
| ELAB2020135/INX-316 | 200x200x135 | 175x165 | 1.2 | 1.2 | 2.1 | 15.70 | 19.60 | 23.50 | 27.40 | 31.30 |
| ELAB3015135/INX-316 | 300x150x135 | 275x115 | 1.2 | 1.2 | 2.3 | 18.10 | 22.60 | 27.10 | 31.60 | 36.10 |
| ELAB3020135/INX-316 | 300x200x135 | 275x165 | 1.2 | 1.2 | 2.7 | 21.40 | 26.80 | 32.10 | 37.50 | 42.80 |
| ELAB3030135/INX-316 | 300x300x135 | 275x265 | 1.2 | 1.2 | 3.7 | 28.10 | 35.10 | 42.20 | 49.20 | 56.20 |
| ELAB4020135/INX-316 | 400x200x135 | 375x165 | 1.2 | 1.2 | 3.4 | 27.20 | 34.00 | 40.80 | 47.50 | 54.30 |
| ELAB4030135/INX-316 | 400x300x135 | 375x265 | 1.2 | 1.2 | 4.7 | 35.40 | 44.30 | 53.10 | 62.00 | 70.80 |
| ELAB4040135/INX-316 | 400x400x135 | 375x365 | 1.2 | 1.2 | 5.7 | 43.60 | 54.60 | 65.50 | 76.40 | 87.30 |

IP66 / NEMA 1, 4, 4x, 12.

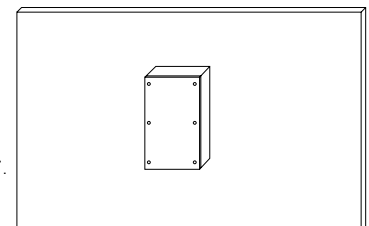
AISI 316L Stainless steel. Scotch 320 satin finish.

Polyurethane sealing gasket.

Boxes supplied without mounting plates.

* Calculations obtained according to the CEI 890:1997 standard + Corrigendum 1998; "Method of temperature-rise assessment by extrapolation for partially type-tested assemblies (PTTA) of low-voltage switchgear and control gear".

SEE ACCESSORIES ON [PAGE 62](#).

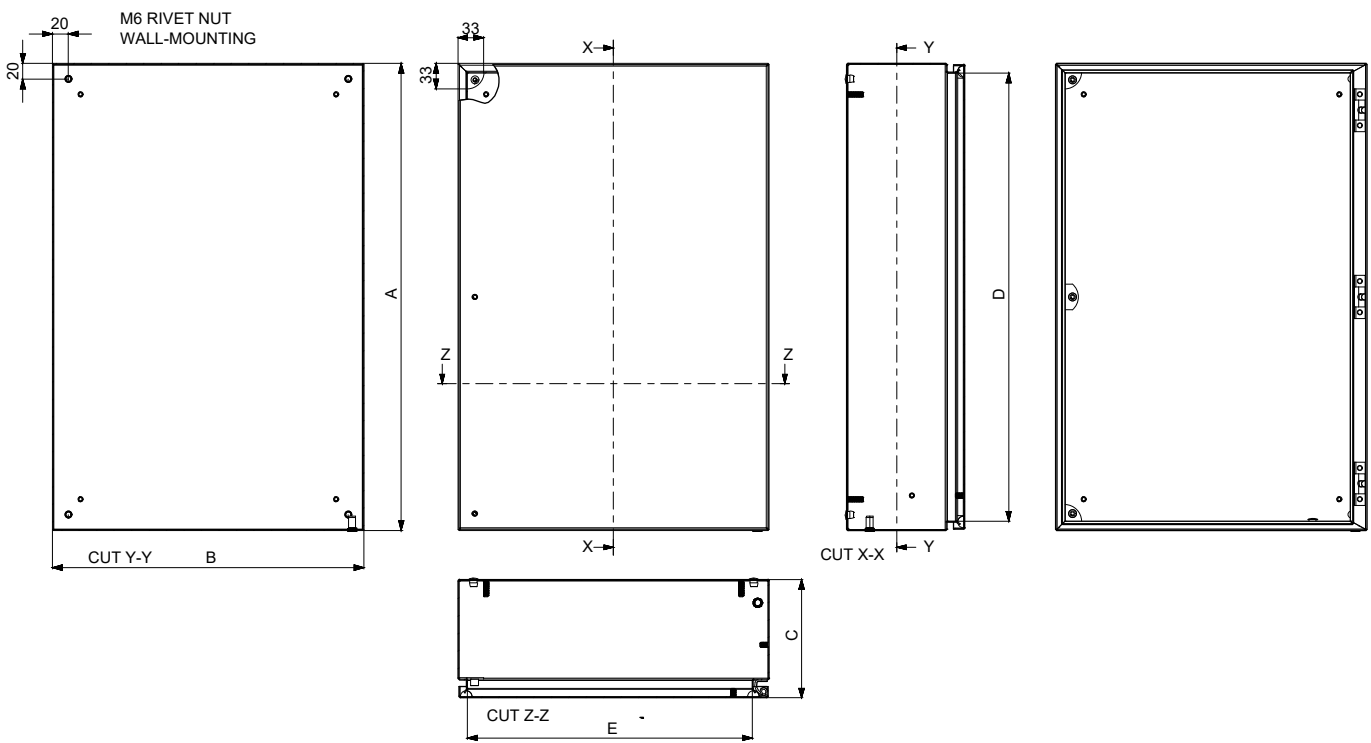




Hinged boxes in stainless steel

Dimensions: Tecno stainless steel

Hinged boxes



Plain metal mounting plates



| Reference No. | Dimensions (AXB) | For box | |
|---------------|---------------------|---------|-----|
| | | A | B |
| PLT1515 | 130x115 | 150 | 150 |
| PLT2015 | 180x115 | 200 | 150 |
| PLT2020 | 180x165 | 200 | 200 |
| PLT3015 | 280x115 | 300 | 150 |
| PLT3020 | 280x165 | 300 | 200 |
| PLT3030 | 280x265 | 300 | 300 |
| PLT4020 | 380x165 | 400 | 200 |
| PLT4030 | 380x265 | 400 | 300 |
| PLT4040 | 380x365 | 400 | 400 |
| PLT5020 | 480x165 | 500 | 200 |
| PLT5030 | 480x265 | 500 | 300 |
| PLT6020 | 580x165 | 600 | 200 |
| PLT6030 | 580x265 | 600 | 300 |
| PLT6040 | 580x365 | 600 | 400 |
| PLT8020 | 780x165 | 800 | 200 |
| PLT8040 | 780x365 | 800 | 400 |

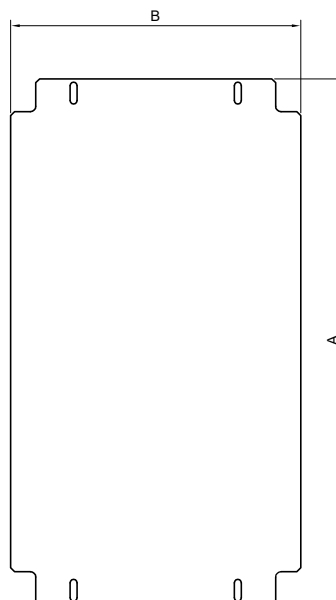
MATERIAL: Plain mounting plate in 2-mm thick galvanised steel.

CHARACTERISTICS: Rolled steel boxes: They are fixed to the brackets by means of 4-mm sheet metal screws (not included).

For bases with a central bracket, a single plate, double plate or a plate occupying half of the base may be fitted.

Stainless steel boxes: The plate is fastened with M6 nuts to the M6x20 bolts on the base of the box (mounting accessories bag included in the box).

FOR THE FOLLOWING BOXES: ELA - EXA.



Hinges



Reference No. Description

48625 Hinges for TECNO series boxes

MATERIAL: Zamak.

SUPPLY: 2-pieces bag.

FOR THE FOLLOWING CABINETS: ELA - EXA (Rolled steel).

Wall-mounting support



Ref. 48423



Ref. 48623

Reference No. Description

48423 Galvanised wall-mounting support (4-piece pack)

48623 AISI 316L Stainless steel wall-mounting support (4-piece pack)

MATERIAL: Galvanised steel or AISI 316L stainless steel.

CHARACTERISTICS: They are attached to the rear part of the cabinet vertically or horizontally.

11-mm wall separation.

Maximum horizontal or vertical load: 490 kg.

SUPPLY: Pack of 4 supports.

FL21-type frame and lid



Reference No. Description Internal dimensions

HEIGHT X WIDTH

TFL21 Frame 90x214

68x170

TCFL21 Plain lid 90x214

-

MATERIAL: Fibreglass-reinforced polypropylene.

CHARACTERISTICS: FL21 frame for fitting the various inserts. Covers with entrances with membranes of various diameters for different combinations. For the full set, order the cable entry cover, the FL21 frame and the inserts. IP65 protection degree.

SUPPLY: 10-pieces bag.

FOR THE FOLLOWING CABINETS: GN.

Interchangeable inserts for FL21-type frame



Ref. T06



Ref. T07



Ref. T08



Ref. T09



Ref. T11



Ref. T12



Ref. T13

Reference No. Dimensions No. of entries

HEIGHT X WIDTH

Ø

T06 68x68

2xM25 (8-17 mm)

2xM16 (5-10 mm)

T07 68x68

1xM32-M40-M50

T08 68x68

9x7-14 mm

T09 68x68

2x20-30 mm

2x10-20 mm

T11 34x68

2x8-17 mm

T12 34x68

2xM20 (6-13 mm)

T13 34x68

10x4-10 mm

MATERIAL: Fibreglass-reinforced polypropylene.

CHARACTERISTICS: Interchangeable inserts for FL21-type frame. IP65 protection degree.

SUPPLY: 10-pieces bag.

FOR THE FOLLOWING CABINETS: GN-EXA.

ATEX



ATEX series intended for potentially explosive atmospheres

IDE presents its ATEX certified product range, specially intended for potentially explosive atmospheres, where the degree of protection and strength must be maximised.

We offer an extensive range of ATEX certified equipment: IP66 wall-mounting cabinets (Argenta ATEX series) manufactured in rolled steel and AISI 304L & 316L stainless steel, as well as IP66 terminal boxes (Tecno ATEX series) in AISI 316L stainless steel.

The design and manufacture of this line of products has plenty of flexibility to adapt to special applications that require specific dimensions, to suit the requirements of the user and the facilities.



ARGENTA ATEX Technical Specifications

Wall-mounting cabinets

- **Degree of protection:**
 - Rolled steel cabinets: IP66 / NEMA 1, 4, 12.
 - Stainless steel cabinets: IP66 / NEMA 1, 4, 4x, 12.
- **Resistance to impact:** IK10.
- **Ambient temperature range:**
 - Cabinets with polyurethane sealing gasket:
 - 25 °C / +60 °C.
 - Cabinets with silicone rubber gasket:
 - 55 °C / +100 °C.
- **Maximum rated operating voltage:** 1000 V AC / 1500 V DC.
(See references on page 70 and 74)

TECNO ATEX Technical Specifications

Terminal boxes

- **Degree of protection:** IP66 / NEMA 1, 4, 4x, 12.
- **Resistance to impact:** IK10.
- **Ambient temperature range:**
 - With silicone rubber gasket: -55 °C / +100 °C.
- **Maximum rated operating voltage:** 1000 V AC / 1500 V DC.
(See references on page 84)

ARGENTA ATEX Certifications



Compliant with the 2014/34/UE directive.

Certified by LOM: Cabinets with polyurethane sealing gasket (-25 °C / +60 °C). UNE-EN 60079-0, UNE-EN 60079-7 and UNE-EN 60079-31 standards.

Certified by Dekra: Cabinets with silicone rubber gasket (-55 °C / +100 °C). CEI 60079-0, CEI 60079-7 and CEI 60079-31 standards.

- Ex II 2G - Ex eb IIC Gb.
- II 2D - Ex tb IIIC Db.

TECNO ATEX Certifications



Compliant with the 2014/34/UE directive.

Certified by DEKRA: Boxes with silicone rubber gasket (-55 °C / +100 °C). Compliant with the CEI 60079-0, CEI 60079-7 and CEI 60079-31 standards.

- Ex II 2G - Ex eb IIC Gb.
- II 2D - Ex tb IIIC Db.

Regulations for ATEX atmospheres

Directive 2014/34/EU relating to equipment and protective systems intended for use in potentially explosive atmospheres.

ATEX Atmosphere

This term is used to refer to potentially explosive atmospheres, as well as to the standards regulating the use of protection equipment and systems in this type of atmosphere.

An **explosive atmosphere** is defined as any mixture, in atmospheric conditions, of air and inflammable substances in the form of gas, vapours or dust, in which, following ignition, combustion spreads to the entire uncombusted mixture.

Potentially explosive atmosphere: An atmosphere which could become explosive due to local and operational conditions.

Normal atmospheric conditions are considered as:

- Temperature between -20 °C / +60 °C.
- Pressure between 0.8 and 1.1 bar.

ATEX DOES NOT COVER the risk of explosion from volatile substances such as explosives, fireworks or mixtures under pressure.

ATEX Atmospheres Classification

| Application | Cat./presence of pot. explosive atmospheres | Hazardous Zones | Atmosphere |
|----------------------------------------|---------------------------------------------|------------------------|------------|
| GROUP I Mining | M1 and M2 | Gas and Dust (G and D) | |
| GROUP II Industrial (non mining) | 1. Continuous or frequent | Zone 0: gas and vapour | G |
| | | Zone 20: mist and dust | D |
| | 2. Occasional | Zone 1: gas and vapour | G |
| | | Zone 21: mist and dust | D |
| | 3. Short periods only | Zone 2: gas and vapour | G |
| | | Zone 22: mist and dust | D |

Classification into groups and zones under Directive 2014/34/UE.

All equipment intended for explosive atmospheres must carry a marking that indicates the areas in which it can be used and the forms of protection it offers.

Set certificate

The ATEX certificate for the ARGENTA series is a component certificate. The final unit must have an ATEX certificate and a declaration of conformity.



Installation of ATEX components

Electrical, pneumatic, hydraulic, etc...

Ignition temperature of GAS or DUST

| THERMAL CLASS | TEMPERATURE °C |
|---------------|----------------|
| T1 | 450 |
| T2 | 300 |
| T3 | 200 |
| T4 | 135 |
| T5 | 100 |
| T6 | 85 |

GASES have an ignition temperature, and this must be known in order to select equipment with a lower temperature.

DUST has two types of ignition temperature:

MITC: Minimum Ignition Temperature for **a cloud**.

MITL: Minimum Ignition Temperature for **a layer**.

These values limit the surface temperature of equipment to: Lower than 2/3 of MITC or MITL -75°C.

IDE cannot perform temperature tests, as these depend on the components installed inside. IDE only certifies/sells the enclosure.

WHICH PARTS OF ATEX DOES IDE OFFER COMPLIANCE WITH?

Group II: NON-mining

Gases IIC (Hydrogen and similar)

Dust IIIC (Conductive dust)

Zones

| GAS | DUST | FREQUENCY | CATEGORY | |
|-----|------|--------------|----------|----------------------------|
| 1 | 21 | Intermittent | 2 | We offer compliance |
| 2 | 22 | Occasional | 3 | We offer compliance |
| 0 | 20 | Continuous | 1 | We do not offer compliance |

IDE Label

ATEX symbol according to the directive.

II: Equipment intended for use in places other than mines with the presence of explosive atmosphere.

2: Product category. Explosive atmospheres that cause gases, vapours and a mixture of air/dust.

GD: Gas and dust.

Ex: ATEX-compliant product.

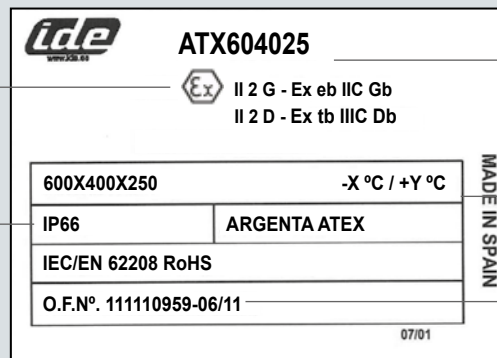
IIC: Type of gas: Hydrogen and similar.

Gb/Db: Protection from dust and gas for nonelectrical equipment. "Control of sources of ignition".

eb: Protection mode: "Increased safety".

tb: Protection mode: "Enclosure".

IIIC: Type of dust. "Conductive".



Reference.

Operating temperature.

IDE manufacturing order.

Degree of protection.

Nomenclature

Gas



EX ATEX
eb Increased safety
IIC Hydrogen and similar
Gb NON-electrical equipment

Dust



EX ATEX
tb Enclosure safety
IIIC Conductive dust
Db NON-electrical equipment

Gas and dust



EX ATEX
II Group 2 NON-mining
2 Categories 2 for zones 1, 21 / 2, 22
GD Gas and dust

ARGENTA ATEX

IP66 rolled steel wall-mounting cabinets



Product series (Rolled steel)

Standard

- ATEX opaque door cabinets in **COLD-ROLLED STEEL** with mounting plate, and injected polyurethane sealing gasket.

To order

- ATEX opaque door cabinets in **COLD-ROLLED STEEL** without mounting plate. [Add /SP to the standard reference].

- Cabinets with silicone rubber gasket, increasing ambient temperature range up to -55 °C / +100 °C.

Supply

Supplied in individual packaging containing cabinet, plate and accessory bag.

Plain mounting plate:

- For cabinets with a height of up to 700 mm it is supplied unassembled inside the packaging.

- For cabinets with a height from 800 mm and above it is supplied assembled.

Accessory bag:

- Earth kit consisting of nut, washer and earth symbol label.

- Plate height adjusters and nuts.

- Key.

- 4 wall-hangers.

- Assembly instructions.

Prepared for installation in potentially explosive atmospheres

Material

- Cold-rolled steel EN 10130+A1.
- Injected polyurethane sealing gasket.

Finish

- Coated with hardened RAL 7035 epoxy polyester paint, embossed.

Protection

- Corrosion resistance according to the UNE-EN 62208 standard. For outdoor installations, the effect of the corrosion must be taken into consideration.

Standard painting cycle

- **Degreasing:** Removal of remains of contaminants by means of a neutral stripper and tensoactive concentrate.
- **Rinsing:** Two rinses, the first one with mains water and the second one with demineralised water.
- **Passivation:** Thin-coat conversion agent.
- **Drying:** With hot air (in a tunnel at 100 °C).
- **Painting:** Coated with hardened RAL 7035 epoxy polyester paint.
- **Firing:** Furnace polymerisation adherence at 180 °C for 15-20 min.



Enclosure

- Manufactured from a single cross-shaped part.
- Totally reversible cabinet.
- Sheet thickness:
1.2 mm for cabinets from 300x200 to 600x500 mm.
1.5 mm for cabinets from 600x600 to 1000x800 mm.
- Four M8x25 bolts at the back of the cabinet for securing plates, adjustment elements or chassis.
- M6x10 earth bolt located on the cabinet wall for joining enclosure and door by means of earth wire.
- The cabinet has a M6x22 rivet nut for exterior earthing.
- Double fold to prevent water from entering the cabinet.
- M6 rivet nuts at the base of the cabinet to attach the 4 wall hangers included in the unit (11-mm separation between enclosure and wall).

Door

- Opaque door with 110° opening.
- Concealed hinges welded to the enclosure and door.
- Opaque door sheet thickness:
1.2 mm for cabinets from 300x200 to 600x400 mm.
1.5 mm for cabinets from 600x500 to 800x800 mm.
2 mm for cabinets of 1000x800 mm.
- Doors supplied with continuous injected polyurethane sealing gasket, UV-ray resistant.
- Welded reinforcement profiles with cut-out holes with separation of 25 mm for fitting accessories.
- Door centring device included in cabinets with a height of 600 mm.



Locking

- 5-mm double-bit lock in chrome-plated zamak with injected sealing gasket plus key.
- A three-point rod lock is supplied in galvanised steel for cabinets with height of 1000 mm.

Mounting plate

- Flat mounting plate included in all cabinet references.
- Made from galvanised sheet steel with a thickness of 2 mm.

ARGENTA ATEX

IP66 rolled steel wall-mounting cabinets

IP66 opaque single-door cabinets. Rolled steel - ATEX

| Reference No. | Cabinet dimensions [AXBXC] | Dim. plate [AXB] | Sheet thickness | | No. locks | No. hinges | Reinf. prof. | Weight KG | Power dissipation according to temperature increase °C P(W)* | | | | |
|---------------|-------------------------------|---------------------|-----------------|------|-----------|------------|--------------|--------------|--------------------------------------------------------------|-------|-------|-------|-------|
| | | | ENCL. | DOOR | | | | | 20 | 25 | 30 | 35 | 40 |
| ATX302015 | 300x200x150 | 270x150 | 1.2 | 1.2 | 1 | 2 | 1 | 4.3 | 19.7 | 24.7 | 29.6 | 34.6 | 39.5 |
| ATX302515 | 300x250x150 | 270x200 | 1.2 | 1.2 | 1 | 2 | 1 | 5.1 | 26.2 | 32.8 | 39.4 | 45.9 | 52.5 |
| ATX303015 | 300x300x150 | 270x250 | 1.2 | 1.2 | 1 | 2 | 2 | 5.8 | 29.7 | 37.1 | 44.6 | 52.0 | 59.4 |
| ATX303020 | 300x300x200 | 270x250 | 1.2 | 1.2 | 1 | 2 | 2 | 6.5 | 35.0 | 43.7 | 52.5 | 61.2 | 70.0 |
| ATX403020 | 400x300x200 | 370x250 | 1.2 | 1.2 | 1 | 2 | 2 | 8.0 | 43.6 | 54.5 | 65.3 | 76.2 | 87.1 |
| ATX404020 | 400x400x200 | 370x350 | 1.2 | 1.2 | 1 | 2 | 2 | 9.8 | 52.8 | 66.0 | 79.2 | 92.4 | 105.6 |
| ATX406020 | 400x600x200 | 370x550 | 1.2 | 1.2 | 1 | 2 | 2 | 14.2 | 71.3 | 89.1 | 106.9 | 124.7 | 142.6 |
| ATX504020 | 500x400x200 | 470x350 | 1.2 | 1.2 | 2 | 2 | 2 | 11.9 | 62.9 | 78.7 | 94.4 | 110.1 | 125.8 |
| ATX604020 | 600x400x200 | 570x350 | 1.2 | 1.2 | 2 | 2 | 2 | 13.8 | 73.0 | 91.3 | 109.6 | 127.8 | 146.1 |
| ATX604025 | 600x400x250 | 570x350 | 1.2 | 1.2 | 2 | 2 | 2 | 14.8 | 82.1 | 102.6 | 123.1 | 143.6 | 164.1 |
| ATX605025 | 600x500x250 | 570x450 | 1.2 | 1.5 | 2 | 2 | 2 | 18.3 | 95.2 | 118.9 | 142.7 | 166.5 | 190.3 |
| ATX606025 | 600x600x250 | 570x550 | 1.5 | 1.5 | 2 | 2 | 2 | 23.5 | 108.2 | 135.3 | 162.4 | 189.4 | 216.5 |
| ATX705025 | 700x500x250 | 670x450 | 1.5 | 1.5 | 2 | 2 | 2 | 23.0 | 107.8 | 134.8 | 161.7 | 188.7 | 215.6 |
| ATX806030 | 800x600x300 | 770x550 | 1.5 | 1.5 | 2 | 3 | 2 | 32.0 | 149.2 | 186.5 | 223.7 | 261.0 | 298.3 |
| ATX808030 | 800x800x300 | 770x750 | 1.5 | 1.5 | 2 | 3 | 2 | 40.3 | 183.0 | 228.8 | 274.6 | 320.3 | 366.1 |
| ATX1008030 | 1000x800x300 | 970x750 | 1.5 | 2 | 3P | 3 | 2 | 52.2 | 219.6 | 274.5 | 329.3 | 384.2 | 439.1 |

IP66 / NEMA 1, 4, 12.

Cold rolled steel painted RAL 7035.

Injected polyurethane sealing gasket. Ambient temperature range: -25 °C / +60 °C.

3P: 3-point lock.

Cabinets supplied with mounting plate. For references without plate, add /SP; e.g.: ATX403020/SP.

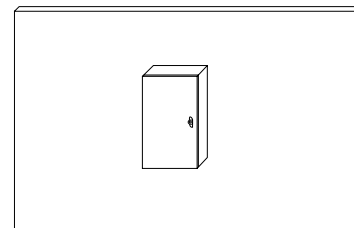
(Check availability).

Pack of 4 plate height adjusters supplied in all references, even in those without plate /SP.

* Calculations obtained according to the CEI 890:1997 standard + Corrigendum 1998; "Method of temperature-rise assessment by extrapolation for partially type-tested assemblies (PTTA) of low-voltage switchgear and control gear".

SEE DIMENSIONS ON [PAGE 71](#).

SEE ACCESSORIES ON [PAGE 78](#).





Argenta ATEX rolled steel

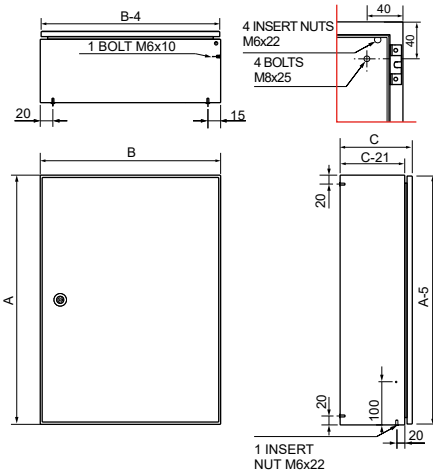
ATEX

Maximum acceptable loads

| | Total load | Door | Plate |
|------------------------------------------|------------|-------|--------|
| Cabinets from 300x200x150 to 300x300x200 | 150 kg | 25 kg | 125 kg |
| Cabinets from 400x300x200 to 400x300x250 | 175 kg | 25 kg | 150 kg |
| Cabinets from 400x400x200 to 600x400x250 | 225 kg | 25 kg | 200 kg |
| Cabinets from 600x500x250 to 700x500x250 | 275 kg | 25 kg | 250 kg |
| Cabinets from 800x600x300 to 800x800x300 | 325 kg | 25 kg | 300 kg |
| Cabinets from 1000x800x300 | 390 kg | 40 kg | 350 kg |

Dimensions: Argenta ATEX rolled steel

Single door



ARGENTA ATEX

IP66 stainless steel wall-mounting cabinets



Product series (Stainless steel)

Standard

- ATEX opaque door cabinets in AISI 304L and 316L **STAINLESS STEEL** with mounting plate, and injected silicone rubber gasket.

To order

- ATEX opaque door cabinets in AISI 304L and 316L **STAINLESS STEEL** without mounting plate (add /SP to the standard reference).

Supply

Supplied in individual packaging containing cabinet, plate and accessory bag.

Cabinets are supplied with protective film or, failing that, bagged.

Plain mounting plate:

- For cabinets with a height of up to 700 mm they are supplied unassembled inside the packaging.
- For cabinets with a height from 800 mm and above they are supplied assembled.

Accessory bag:

- Earth kit consisting of nut, washer and earth symbol label.
- Plate height adjusters and nuts.
- Key.
- 4 wall-hangers.
- Assembly instructions.

Certified by the accredited organisation for use in zones 1 and 2 gas, 21 and 22 dust

Recommended applications

Environments with potentially explosive atmospheres; areas that are hazardous due to the presence of flammable gases, vapours, mists or dust in which, after ignition, there is the possibility of an explosion.

Materials

- AISI 304L and 316L stainless steel.
- Continuous injected silicone rubber gasket.

Finish

- Scotch 320 satin finish.



Enclosure

- Manufactured in stainless steel AISI 304L or 316L from a single cross-shaped part.
- Stainless steel thickness:
 - 1.2 mm for cabinets from 300x200 to 600x500 mm.
 - 1.5 mm for cabinets from 600x600 to 1000x800 mm.
- Four M8x25 bolts at the back of the cabinet for securing plates, adjustment elements or chassis.
- M6x15 earth bolt located on the cabinet wall for joining enclosure and door by means of earth wire.
- The cabinet has a M6x22 rivet nut for exterior earthing.
- Double fold to prevent water from entering the cabinet.
- M6 rivet nuts on the base of the cabinet for mounting the four wall hangers included in the unit (11 mm separation between enclosure and wall).
- No cable entry.

Door

- Opaque door with 110° opening.
- Concealed hinges welded to the enclosure and door.
- Opaque door stainless steel thickness:
 - 1.2 mm for cabinets from 300x200 to 600x400 mm.
 - 1.5 mm for cabinets from 600x500 to 800x800 mm.
 - 2 mm for cabinets of 1000x800 mm.
- Doors supplied with continuous injected silicone gasket, guaranteeing the IP66. This gasket ensures excellent performance when dealing with high temperatures and external agents. Thanks to the material's properties, a perfect overlap can be obtained between the beginning and the end of the silicone rubber gasket. However, this does not affect the unit's specified protection.
- Screwed reinforcement profiles with cut-out holes with separation of 25 mm for fitting accessories.
- Door centring device included in cabinets with a height of 600 mm.



Locking

- 5 mm double-bit lock in stainless steel with sealing injected gasket plus key.
- A three-point rod lock is supplied in stainless steel for cabinets with height of 1000 mm.
- Cabinets with a width of 600 mm or greater are supplied with two horizontal locks.

Mounting plate

- Flat mounting plate included in all cabinet references.
- Made from galvanised sheet steel with a thickness of 2 mm.

ARGENTA ATEX

IP66 stainless steel wall-mounting cabinets

IP66 single-door cabinets. AISI 304L stainless steel - ATEX

| Reference No. | Cabinet dimensions (AXBXC) | Dim. plate (AXB) | Sheet thickness | | No. locks | No. hinges | Reinf. prof. | Weight KG | Power dissipation according to temperature increase °C P(W)* | | | | |
|----------------|-------------------------------|---------------------|-----------------|------|-----------|------------|--------------|--------------|--------------------------------------------------------------|-------|-------|-------|-------|
| | | | ENCL. | DOOR | | | | | 20 | 25 | 30 | 35 | 40 |
| ATX302015/INX | 300x200x150 | 270x150 | 1.2 | 1.2 | 1 | 2 | - | 4.1 | 19.7 | 24.7 | 29.6 | 34.6 | 39.5 |
| ATX302515/INX | 300x250x150 | 270x200 | 1.2 | 1.2 | 1 | 2 | - | 5.0 | 26.2 | 32.8 | 39.4 | 45.9 | 52.5 |
| ATX303015/INX | 300x300x150 | 270x250 | 1.2 | 1.2 | 1 | 2 | - | 5.5 | 29.7 | 37.1 | 44.6 | 52.0 | 59.4 |
| ATX403020/INX | 400x300x200 | 370x250 | 1.2 | 1.2 | 1 | 2 | 1 | 7.7 | 43.6 | 54.5 | 65.3 | 76.2 | 87.1 |
| ATX404020/INX | 400x400x200 | 370x350 | 1.2 | 1.2 | 1 | 2 | 2 | 9.8 | 52.8 | 66.0 | 79.2 | 92.4 | 105.6 |
| ATX406020/INX | 400x600x200 | 370x550 | 1.2 | 1.5 | 1+2 | 2 | 2+2 | 14.0 | 71.3 | 89.1 | 106.9 | 124.7 | 142.6 |
| ATX504020/INX | 500x400x200 | 470x350 | 1.2 | 1.2 | 2 | 2 | 2 | 11.9 | 62.9 | 78.7 | 94.4 | 110.1 | 125.8 |
| ATX604020/INX | 600x400x200 | 570x350 | 1.2 | 1.2 | 2 | 2 | 2 | 13.7 | 73.0 | 91.3 | 109.6 | 127.8 | 146.1 |
| ATX605025/INX | 600x500x250 | 570x450 | 1.2 | 1.5 | 2 | 2 | 2 | 17.9 | 95.2 | 118.9 | 142.7 | 166.5 | 190.3 |
| ATX606025/INX | 600x600x250 | 570x550 | 1.5 | 1.5 | 2+2 | 2 | 2+2 | 23.2 | 108.2 | 135.3 | 162.4 | 189.4 | 216.5 |
| ATX705025/INX | 700x500x250 | 670x450 | 1.5 | 1.5 | 2 | 2 | 2 | 22.6 | 107.8 | 134.8 | 161.7 | 188.7 | 215.6 |
| ATX806030/INX | 800x600x300 | 770x550 | 1.5 | 1.5 | 2+2 | 3 | 2+2 | 30.9 | 149.2 | 186.5 | 223.7 | 261.0 | 298.3 |
| ATX808030/INX | 800x800x300 | 770x750 | 1.5 | 1.5 | 2+2 | 3 | 2+2 | 39.5 | 183.0 | 228.8 | 274.6 | 320.3 | 366.1 |
| ATX1008030/INX | 1000x800x300 | 970x750 | 1.5 | 2 | 3P+2 | 3 | 2+2 | 58.6 | 219.6 | 274.5 | 329.3 | 384.2 | 439.1 |

IP66 single-door cabinets. AISI 316L stainless steel - ATEX

| Reference No. | Cabinet dimensions (AXBXC) | Dim. plate (AXB) | Sheet thickness | | No. locks | No. hinges | Reinf. prof. | Weight KG | Power dissipation according to temperature increase °C P(W)* | | | | |
|--------------------|-------------------------------|---------------------|-----------------|------|-----------|------------|--------------|--------------|--------------------------------------------------------------|-------|-------|-------|-------|
| | | | ENCL. | DOOR | | | | | 20 | 25 | 30 | 35 | 40 |
| ATX302015/INX-316 | 300x200x150 | 270x150 | 1.2 | 1.2 | 1 | 2 | - | 4.1 | 19.7 | 24.7 | 29.6 | 34.6 | 39.5 |
| ATX302515/INX-316 | 300x250x150 | 270x200 | 1.2 | 1.2 | 1 | 2 | - | 4.9 | 26.2 | 32.8 | 39.4 | 45.9 | 52.5 |
| ATX303015/INX-316 | 300x300x150 | 270x250 | 1.2 | 1.2 | 1 | 2 | - | 5.5 | 29.7 | 37.1 | 44.6 | 52.0 | 59.4 |
| ATX403020/INX-316 | 400x300x200 | 370x250 | 1.2 | 1.2 | 1 | 2 | 1 | 7.6 | 43.6 | 54.5 | 65.3 | 76.2 | 87.1 |
| ATX404020/INX-316 | 400x400x200 | 370x350 | 1.2 | 1.2 | 1 | 2 | 2 | 9.8 | 52.8 | 66.0 | 79.2 | 92.4 | 105.6 |
| ATX406020/INX-316 | 400x600x200 | 370x550 | 1.2 | 1.5 | 1+2 | 2 | 2+2 | 14.2 | 71.3 | 89.1 | 106.9 | 124.7 | 142.6 |
| ATX504020/INX-316 | 500x400x200 | 470x350 | 1.2 | 1.2 | 2 | 2 | 2 | 11.7 | 62.9 | 78.7 | 94.4 | 110.1 | 125.8 |
| ATX604020/INX-316 | 600x400x200 | 570x350 | 1.2 | 1.2 | 2 | 2 | 2 | 13.6 | 73.0 | 91.3 | 109.6 | 127.8 | 146.1 |
| ATX605025/INX-316 | 600x500x250 | 570x450 | 1.2 | 1.5 | 2 | 2 | 2 | 18.0 | 95.2 | 118.9 | 142.7 | 166.5 | 190.3 |
| ATX606025/INX-316 | 600x600x250 | 570x550 | 1.5 | 1.5 | 2+2 | 2 | 2+2 | 23.1 | 108.2 | 135.3 | 162.4 | 189.4 | 216.5 |
| ATX705025/INX-316 | 700x500x250 | 670x450 | 1.5 | 1.5 | 2 | 2 | 2 | 22.4 | 107.8 | 134.8 | 161.7 | 188.7 | 215.6 |
| ATX806030/INX-316 | 800x600x300 | 770x550 | 1.5 | 1.5 | 2+2 | 3 | 2+2 | 30.9 | 149.2 | 186.5 | 223.7 | 261.0 | 298.3 |
| ATX808030/INX-316 | 800x800x300 | 770x750 | 1.5 | 1.5 | 2+2 | 3 | 2+2 | 39.7 | 183.0 | 228.8 | 274.6 | 320.3 | 366.1 |
| ATX1008030/INX-316 | 1000x800x300 | 970x750 | 1.5 | 2 | 3P+2 | 3 | 2+2 | 59.4 | 219.6 | 274.5 | 329.3 | 384.2 | 439.1 |

IP66 / NEMA 1, 4, 4x, 12.

Stainless steel: Scotch 320 satin finish.

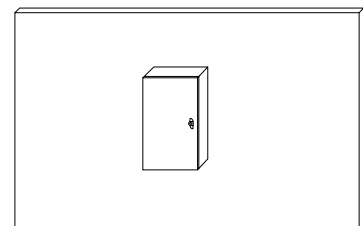
Injected silicone rubber gasket. Ambient temperature range: -55 °C / +100 °C.

Cabinets of with 600 mm or greater are supplied with two additional horizontal locks.

Cabinets supplied with mounting plate.

Pack of 4 plate height adjusters supplied in all references, even in those without plate /SP.

For references without plate, add /SP; e.g.: ATX403020INX/SP (Check availability).



* Calculations obtained according to the CEI 890:1997 standard + Corrigendum 1998; "Method of temperature-rise assessment by extrapolation for partially type-tested assemblies (PTTA) of low-voltage switchgear and control gear".

SEE DIMENSIONS ON [PAGE 75](#).

SEE ACCESSORIES ON [PAGE 78](#).



ATEX Stainless steel cabinet

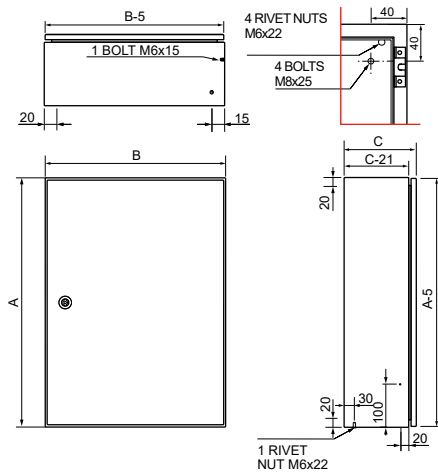
ATEX

Maximum acceptable loads

| | Total load | Door | Plate |
|------------------------------------------|------------|-------|--------|
| Cabinets from 300x200x150 to 300x300x200 | 150 kg | 25 kg | 125 kg |
| Cabinets from 400x300x200 to 400x300x200 | 175 kg | 25 kg | 150 kg |
| Cabinets from 400x400x200 to 600x400x200 | 225 kg | 25 kg | 200 kg |
| Cabinets from 600x500x250 to 700x500x250 | 275 kg | 25 kg | 250 kg |
| Cabinets from 800x600x300 to 800x800x300 | 325 kg | 25 kg | 300 kg |
| Cabinets of 1000x800x300 | 390 kg | 40 kg | 350 kg |

Dimensions: Argenta ATEX stainless steel

Single door



TECNO ATEX

IP66 stainless steel terminal boxes



Product series (Stainless steel)

Standard

- AISI 304 and AISI 316L **STAINLESS STEEL ATEX** boxes, with plain sides and screw-on cover, with injected silicone rubber gasket, and 135-mm depth.

To order

- AISI 304L and 316L **STAINLESS STEEL ATEX** boxes, with cable entry and screw-on cover, with injected silicone rubber gasket, and 135-mm depth.
- Special boxes, dimensions, cut-outs, colours, etc.

Supply

Supplied in individual cardboard packaging containing enclosure, lid and accessories bag.

- Boxes are supplied with protective film or, failing that, bagged.
- Lid and enclosure supplied unbolted.
- Screws and washers for the enclosure-lid mounting.
- Plate height adjusters and M6 nuts.
- Four wall hangers.
- Earth connection labels.
- Assembly instructions.

Compact and robust, they are available in AISI 304L and 316L stainless steel

Recommended applications

Environments with potentially explosive atmospheres; areas that are hazardous due to the presence of flammable gases, vapours, mists or dust in which, after ignition, there is the possibility of an explosion.

Material

- AISI 304L or 316L stainless steel.
- Injected silicone sealing gasket.

Finish

- Scotch 320 satin finish.



Enclosure

- Manufactured in AISI 304L or 316L stainless steel from a single cross-shaped part, with a thickness of 1.2 mm.
- Reduced-width drainage fold and mounting wings specially designed to get the perfect fit between enclosure and lid.
- M6x10 earth connection bolt in both enclosure and lid.
- Four M6x22 rivet nuts on the base of the box for mounting the four wall hangers included in the unit (11 mm separation between enclosure and wall).
- Four M6x20 bolts on the base to attach to the mounting plate.
- M6x22 earth connection rivet nut on the side.

Lid

- The lid is totally flat, thus permitting the attachment of pilot lights, control elements or silkscreen printing of internal systems.
- The inside of the lid is coated by a injected silicone rubber gasket that guarantees IP66 protection. This seal ensures excellent performance when dealing with high temperatures and external agents. Due to the properties of the material, it is impossible to obtain a perfect joint between the two ends of the silicone seal, but this does not affect the protection specified for the unit.
- M6x10 bolt for connection guaranteeing mass continuity.
- The lid is closed with stainless steel screws with teflon gasket, guaranteeing perfect attachment between cover and enclosure.
- The closing screw has a special design that limits its travel, guaranteeing exact tightening and the unit's degree of protection.



Mounting plate

- Plate not included in the unit, supplied as an accessory.
- Made from galvanised sheet steel with a thickness of 2 mm.
- The mounting plate is fastened with M6 nuts to the four M6x20 bolts on the base of the box.

ARGENTA ATEX

IP66 steel wall-mounting cabinets accessories

Plain metal mounting plates



| Reference No. | Dimensions | Plate thickness | Folds | | For cabinet | |
|---------------|----------------|-----------------|--------|-------|-------------|-------|
| | | | HORIZ. | VERT. | HEIGHT | WIDTH |
| | HEIGHT X WIDTH | mm | | | | |
| PL3020 | 270x150 | 2 | - | - | 300 | 200 |
| PL3025 | 270x200 | 2 | - | - | 300 | 250 |
| PL3030 | 270x250 | 2 | - | - | 300 | 300 |
| PL4030 | 370x250 | 2 | - | - | 400 | 300 |
| PL4040 | 370x350 | 2 | - | - | 400 | 400 |
| PL4060 | 370x550 | 2 | 2 | - | 400 | 600 |
| PL5040 | 470x350 | 2 | - | - | 500 | 400 |
| PL6040 | 570x350 | 2 | - | 2 | 600 | 400 |
| PL6050 | 570x450 | 2 | - | 2 | 600 | 500 |
| PL6060 | 570x550 | 2 | 2 | 2 | 600 | 600 |
| PL7050 | 670x450 | 2 | - | 2 | 700 | 500 |
| PL8060 | 770x550 | 2 | 2 | 2 | 800 | 600 |
| PL8080 | 770x750 | 2 | 2 | 2 | 800 | 800 |
| PL10080 | 970x750 | 2 | 2 | 2 | 1000 | 800 |

MATERIAL: Plain mounting plate in 2-mm thick galvanised steel.

CHARACTERISTICS: Pack of 4 height adjusters plus 4 anti-twist bolts for assembling the plate supplied with the cabinet reference. (Including cabinets without plate /SP). Reference No. 48228 (see page 79).

FOR THE FOLLOWING CABINETS: GN - ATX - INX.

Plain insulating mounting plates



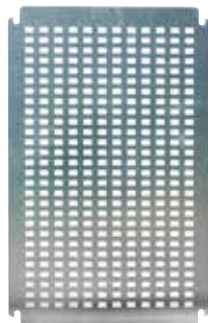
| Reference No. | Dimensions | Plate thickness | For cabinet | |
|---------------|----------------|-----------------|-------------|-------|
| | | | HEIGHT | WIDTH |
| | HEIGHT X WIDTH | mm | | |
| PLB3020 | 270x150 | 3 | 300 | 200 |
| PLB3025 | 270x200 | 3 | 300 | 250 |
| PLB3030 | 270x250 | 3 | 300 | 300 |
| PLB4030 | 370x250 | 3 | 400 | 300 |
| PLB4040 | 370x350 | 3 | 400 | 400 |
| PLB4060 | 370x550 | 3 | 400 | 600 |
| PLB5040 | 470x350 | 3 | 500 | 400 |
| PLB6040 | 570x350 | 4 | 600 | 400 |
| PLB6050 | 570x450 | 4 | 600 | 500 |
| PLB6060 | 570x550 | 4 | 600 | 600 |
| PLB7050 | 670x450 | 4 | 700 | 500 |
| PLB8060 | 770x550 | 4 | 800 | 600 |
| PLB8080 | 770x750 | 4 | 800 | 800 |
| PLB10080 | 970x750 | 5 | 1000 | 800 |

MATERIAL: Plain mounting plate in Bakelite.

CHARACTERISTICS: Pack of 4 height adjusters plus 4 anti-twist bolts for assembling the plate supplied with the cabinet reference. (Including cabinets without plate /SP). Reference No. 48228 (see page 79).

FOR THE FOLLOWING CABINETS: GN - ATX - INX.

Perforated metal mounting plates



| Reference No. | Dimensions | Plate thickness | For cabinet | |
|---------------|----------------|-----------------|-------------|-------|
| | HEIGHT X WIDTH | mm | HEIGHT | WIDTH |
| PLU3020 | 270x150 | 2 | 300 | 200 |
| PLU3025 | 270x200 | 2 | 300 | 250 |
| PLU3030 | 270x250 | 2 | 300 | 300 |
| PLU4030 | 370x250 | 2 | 400 | 300 |
| PLU4040 | 370x350 | 2 | 400 | 400 |
| PLU4060 | 370x550 | 2 | 400 | 600 |
| PLU5040 | 470x350 | 2 | 500 | 400 |
| PLU6040 | 570x350 | 2 | 600 | 400 |
| PLU6050 | 570x450 | 2 | 600 | 500 |
| PLU6060 | 570x550 | 2 | 600 | 600 |
| PLU7050 | 670x450 | 2 | 700 | 500 |
| PLU8060 | 770x550 | 2 | 800 | 600 |
| PLU8080 | 770x750 | 2 | 800 | 800 |
| PLU10080 | 970x750 | 2 | 1000 | 800 |

MATERIAL: Perforated mounting plate in 2-mm thick galvanised steel.

CHARACTERISTICS: Pack of 4 height adjusters plus 4 anti-twist bolts for assembling the plate supplied with the cabinet reference. (Including cabinets without plate /SP).

Cut-out holes 14x9 - Distance between perforations 25 mm.

Recommended caged nuts:

48429: For front assembly.

48416 or 48435: For rear assembly.

(See references on page 235)

FOR THE FOLLOWING CABINETS: GN - ATX - INX.

Plate height adjuster



| Reference No. | Description |
|---------------|------------------------------------------------|
| 48228 | Pack of 4 height adjusters + 4 anti-twist nuts |

MATERIAL: Rubber.

CHARACTERISTICS: It is supplied in all cabinet references. (Including cabinets without plate /SP).

Pack of 4 height adjusters + 4 anti-twist nuts.

FOR THE FOLLOWING CABINETS: GN - ATX - INX.

Height adjustment element



| Reference No. | For cabinet depth (mm) |
|---------------|------------------------|
| SP150 | 150 |
| SP200 | 200 |
| SP250 | 250 |
| SP300 | 300 |

MATERIAL: Galvanised steel.

CHARACTERISTICS: Height adjustment element for mounting plates.

Height adjustment in increments of 12.5 mm.

Required for the assembly of the inner doors.

SUPPLY: Pack of 4 adjustable supports.

FOR THE FOLLOWING CABINETS: GN - ATX - INX.

ARGENTA ATEX

IP66 steel wall-mounting cabinets accessories

Modular chassis (rolled steel)



| Reference No. | No. of modules | Rows | For cabinet | | |
|---------------|----------------|-------------|-------------|-------|---------|
| | | | HEIGHT | WIDTH | DEPTH |
| CH3025/1520 | 16 | 2x8 | 300 | 250 | 150/200 |
| CH3030/1520 | 22 | 2x11 | 300 | 300 | 150/200 |
| CH4030/1520 | 33 | 3x11 | 400 | 300 | 150/200 |
| CH4040/1520 | 45 | 3x15 | 400 | 400 | 150/200 |
| CH4060/1520 | 78 | 3x26 | 400 | 600 | 150/200 |
| CH5040/1520 | 48 | 3x16 | 500 | 400 | 150/200 |
| CH6040/1520 | 64 | 4x16 | 600 | 400 | 150/200 |
| CH6040/2530 | 64 | 4x16 | 600 | 400 | 250/300 |
| CH6060/2530 | 104 | 4x26 | 600 | 600 | 250/300 |
| CH7050/2530 | 110 | 5x22 | 700 | 500 | 250/300 |
| CH8060/2530 | 128 | 4x26 + 1x24 | 800 | 600 | 250/300 |
| CH8080/2530 | 190 | 5x38 | 800 | 800 | 250/300 |
| CH10080/2530 | 228 | 6x38 | 1000 | 800 | 250/300 |

MATERIAL: Frame: Galvanised steel. Chassis lid: Cold rolled steel primed and painted RAL 7035.

CHARACTERISTICS: Includes frame, chassis lid, locking screws and height adjusters. It also includes two holes at the front to apply the knob handle (Ref. 48545), and one hole at the side to run the earth wire.

Caps are supplied to cover the holes in case not used.

Bag of assembly accessories included.

FOR THE FOLLOWING CABINETS: GN - INX - ATX.

Modular chassis (stainless steel)



| Reference No. | No. of modules | Rows | For cabinet | | |
|-----------------|----------------|-------------|-------------|-------|-------|
| | | | HEIGHT | WIDTH | DEPTH |
| INXCH3025/1520 | 16 | 2x8 | 300 | 250 | 150 |
| INXCH4030/1520 | 33 | 3x11 | 400 | 300 | 200 |
| INXCH5040/1520 | 48 | 3x16 | 500 | 400 | 200 |
| INXCH6040/1520 | 64 | 4x16 | 600 | 400 | 200 |
| INXCH6060/2530 | 104 | 4x26 | 600 | 600 | 250 |
| INXCH7050/2530 | 110 | 5x22 | 700 | 500 | 250 |
| INXCH8060/2530 | 128 | 4x26 + 1x24 | 800 | 600 | 300 |
| INXCH8080/2530 | 190 | 5x38 | 800 | 800 | 300 |
| INXCH10080/2530 | 228 | 6x38 | 1000 | 800 | 300 |

MATERIAL: AISI 304L stainless steel. Scotch 320 satin finish.

CHARACTERISTICS: Includes frame, chassis lid, locking screws and height adjusters.

Bag of assembly accessories included.

FOR THE FOLLOWING CABINETS: INX - ATX.

Inner door (rolled steel)



| Reference No. | Dimensions | For cabinet | |
|-----------------|----------------|-------------|-------|
| | | HEIGHT | WIDTH |
| | HEIGHT X WIDTH | | |
| PIN3020 | 250x150 | 300 | 200 |
| PIN3025 | 250x200 | 300 | 250 |
| PIN3030 | 250x250 | 300 | 300 |
| PIN4030 | 350x250 | 400 | 300 |
| PIN4040 | 350x350 | 400 | 400 |
| PIN4060 | 350x550 | 400 | 600 |
| PIN5040 | 450x350 | 500 | 400 |
| PIN6040 | 550x350 | 600 | 400 |
| PIN6050 | 550x450 | 600 | 500 |
| PIN6060 | 550x550 | 600 | 600 |
| PIN7050 | 650x450 | 700 | 500 |
| PIN8060 | 750x550 | 800 | 600 |
| PIN8080 | 750x750 | 800 | 800 |
| PIN10080 | 950x750 | 1000 | 800 |

MATERIAL: Cold rolled steel painted RAL 7035.

CHARACTERISTICS: The corresponding height adjustment element must be ordered for the installation of the inner door (see references on page 79).

It is supplied with the same lock type as the standard door: 5-mm double-bit lock.

Reversible hinges and 90° opening.

Possibility of simultaneous assembly of inner door and mounting plate.

Possibility of installing knob handle; Ref. 48545 (see page 35).

It is not compatible with the assembly of a door retainer or switch.

FOR THE FOLLOWING CABINETS: GN - ATX.

Inner door (stainless steel)



| Reference No. | Dimensions | For cabinet | |
|--------------------|----------------|-------------|-------|
| | | HEIGHT | WIDTH |
| | HEIGHT X WIDTH | | |
| INXPIN3020 | 250x150 | 300 | 200 |
| INXPIN3025 | 250x200 | 300 | 250 |
| INXPIN3030 | 250x250 | 300 | 300 |
| INXPIN4030 | 350x250 | 400 | 300 |
| INXPIN4040 | 350x350 | 400 | 400 |
| INXPIN5040 | 450x350 | 500 | 400 |
| INXPIN6040 | 550x350 | 600 | 400 |
| INXPIN6050 | 550x450 | 600 | 500 |
| INXPIN6060 | 550x550 | 600 | 600 |
| INXPIN7050 | 650x450 | 700 | 500 |
| INXPIN8060 | 750x550 | 800 | 600 |
| INXPIN8080 | 750x750 | 800 | 800 |
| INXPIN10080 | 950x750 | 1000 | 800 |

MATERIAL: AISI 304L stainless steel. Scotch 320 satin finish. Check availability for doors AISI 316L.

CHARACTERISTICS: The corresponding height adjustment pack must be ordered for the installation of the inner door (see references on page 79).

It is supplied with the same lock type as the standard door: 5-mm double-bit lock.

Reversible hinges and 90° opening.

Possibility of simultaneous assembly of inner door and mounting plate.

It is not compatible with the assembly of a door retainer or switch.

FOR THE FOLLOWING CABINETS: INX - ATX/INX.

ARGENTA ATEX

IP66 steel wall-mounting cabinets accessories

Opaque spare doors (rolled steel)



| Reference No. | No. locks | For cabinet | |
|---------------|-----------|-------------|-------|
| | | HEIGHT | WIDTH |
| P03020 | 1 | 300 | 200 |
| P03025 | 1 | 300 | 250 |
| P03030 | 1 | 300 | 300 |
| P04030 | 1 | 400 | 300 |
| P04040 | 1 | 400 | 400 |
| P04060 | 1 | 400 | 600 |
| P05040 | 2 | 500 | 400 |
| P06040 | 2 | 600 | 400 |
| P06050 | 2 | 600 | 500 |
| P06060 | 2 | 600 | 600 |
| P07050 | 2 | 700 | 500 |
| P08060 | 2 | 800 | 600 |
| P08080 | 2 | 800 | 800 |
| P010080 | 1x3P | 1000 | 800 |

MATERIAL: Cold rolled steel primed and painted RAL 7035.

CHARACTERISTICS: Doors supplied without lock. See locks on page 83.

Maximum load:

Doors from 250x200 to 800x800: 25 kg.

Doors from 800x1000 to 1400x1000: 40 kg.

FOR THE FOLLOWING CABINETS: GN - ATX.

Spare doors (stainless steel)



| Reference No. | No. locks | For cabinet | |
|---------------|-----------|-------------|-------|
| | | HEIGHT | WIDTH |
| INXP03020 | 1 | 300 | 200 |
| INXP03025 | 1 | 300 | 250 |
| INXP03030 | 1 | 300 | 300 |
| INXP04030 | 1 | 400 | 300 |
| INXP04040 | 1 | 400 | 400 |
| INXP04060 | 1 | 400 | 600 |
| INXP05040 | 2 | 500 | 400 |
| INXP06040 | 2 | 600 | 400 |
| INXP06050 | 2 | 600 | 500 |
| INXP06060 | 2 | 600 | 600 |
| INXP07050 | 2 | 700 | 500 |
| INXP08060 | 2 | 800 | 600 |
| INXP08080 | 2 | 800 | 800 |
| INXP010080 | 1x3P | 1000 | 800 |

MATERIAL: AISI 304L stainless steel. Scotch 320 satin finish. Check availability for doors AISI 316L.

CHARACTERISTICS: Doors supplied without lock. See locks on page 83.

Maximum load: Doors from 250x200 to 800x800: 25 kg.

Doors from 800x1000 to 1400x1000: 40 kg.

FOR THE FOLLOWING CABINETS: INX - ATX/INX.

Profiles for doors



| Reference No. | For door width (mm) | Pack |
|---------------|---------------------|------|
| PMP300 | 300 | 1 |
| PMP400 | 400 | 1 |
| PMP500 | 500 | 1 |
| PMP600 | 600 | 1 |
| PMP800 | 800 | 1 |

MATERIAL: Galvanised steel.

CHARACTERISTICS: Profile for fixing directly to the door. Fitting screws included. They facilitate installation of the door's inside elements.

SUPPLY: 1 profile per reference.

FOR THE FOLLOWING CABINETS: GN - ATX.

ATEX standard locks



Ref. 48405



Ref. 48406

| Reference No. | Description |
|---------------|---------------------------------------------|
| 48405 | 1P ATEX 5-mm double-bit lock |
| 48406 | 3P ATEX 5-mm double-bit lock (without rods) |

CHARACTERISTICS: Made of chrome-plated zamak, with injected sealing gasket.

1P Locks: For cabinets with a height of up to 800 mm.

3P Locks: For cabinets as of a height of 1000 mm. Does not include rods for 3P lock.

Locks for installation in ATEX cabinets (rolled steel).

5-mm double-bit key in polyamide / zamak not included (Ref. 48449 / 48460). (See page 48).

ATEX-INOX standard locks



Ref. 48400



Ref. 48401

| Reference No. | Description |
|---------------|------------------------------------------------------------------|
| 48400 | 1P AISI 316L stainless steel 5-mm double-bit lock |
| 48401 | 3P AISI 316L stainless steel 5-mm double-bit lock (without rods) |

CHARACTERISTICS: Made of AISI 316L stainless steel.

1P Locks: For cabinets with a height of up to 800 mm.

3P Locks: For cabinets as of a height of 1000 mm. Does not include rods for 3P lock.

Locks for installation in ATEX cabinets (stainless steel).

5-mm double-bit key in polyamide / zamak not included (Ref. 48449 / 48460). (See page 48).

Document pocket



| Reference No. | Description |
|---------------|----------------------------------------------|
| 49385 | DIN A4 insulating document pocket 217x226x26 |

MATERIAL: Polystyrene.

CHARACTERISTICS: It can be fitted either by adhesive or screws (screws not included).

FOR THE FOLLOWING CABINETS: GN - ATX - INX.

TECNO ATEX

IP66 stainless steel terminal boxes

IP66 boxes with plain sides and screw-on lid. AISI 304L Stainless steel - ATEX

| Reference No. | Cabinet dimensions (AXBXC) | Opening frame space (DXE) | Sheet thickness | | Weight KG | Power dissipation according to temperature increase °C P(W)* | | | | |
|------------------|-------------------------------|------------------------------|-----------------|-----|--------------|--------------------------------------------------------------|-------|-------|-------|-------|
| | | | ENCL. | LID | | 20 | 25 | 30 | 35 | 40 |
| ELATX1515135/INX | 150x150x135 | 125x125 | 1.2 | 1.2 | 1.50 | 10.60 | 13.20 | 15.90 | 18.50 | 21.20 |
| ELATX2015135/INX | 200x150x135 | 175x125 | 1.2 | 1.2 | 1.80 | 13.10 | 16.40 | 19.60 | 22.90 | 26.20 |
| ELATX2020135/INX | 200x200x135 | 175x175 | 1.2 | 1.2 | 2.30 | 15.70 | 19.60 | 23.50 | 27.40 | 31.30 |
| ELATX3015135/INX | 300x150x135 | 275x125 | 1.2 | 1.2 | 2.50 | 18.10 | 22.60 | 27.10 | 31.60 | 36.10 |
| ELATX3020135/INX | 300x200x135 | 275x175 | 1.2 | 1.2 | 3.00 | 21.40 | 26.80 | 32.10 | 37.50 | 42.80 |
| ELATX3030135/INX | 300x300x135 | 275x275 | 1.2 | 1.2 | 4.00 | 28.10 | 35.10 | 42.20 | 49.20 | 56.20 |
| ELATX4020135/INX | 400x200x135 | 375x175 | 1.2 | 1.2 | 3.70 | 27.20 | 34.00 | 40.80 | 47.50 | 54.30 |
| ELATX4030135/INX | 400x300x135 | 375x275 | 1.2 | 1.2 | 4.90 | 35.40 | 44.30 | 53.10 | 62.00 | 70.80 |
| ELATX4040135/INX | 400x400x135 | 375x375 | 1.2 | 1.2 | 6.10 | 43.60 | 54.60 | 65.50 | 76.40 | 87.30 |

IP66 / NEMA 1, 4, 4x, 12.

AISI 304L Stainless steel. Scotch 320 satin finish.

Injected silicone rubber gasket. Ambient temperature range: -55 °C / +100 °C.

Boxes supplied without mounting plates.

IP66 boxes with plain sides and screw-on lid. AISI 316L Stainless steel - ATEX

| Reference No. | Cabinet dimensions (AXBXC) | Opening frame space (DXE) | Sheet thickness | | Weight KG | Power dissipation according to temperature increase °C P(W)* | | | | |
|----------------------|-------------------------------|------------------------------|-----------------|-----|--------------|--------------------------------------------------------------|-------|-------|-------|-------|
| | | | ENCL. | LID | | 20 | 25 | 30 | 35 | 40 |
| ELATX1515135/INX-316 | 150x150x135 | 125x125 | 1.2 | 1.2 | 1.7 | 10.60 | 13.20 | 15.90 | 18.50 | 21.20 |
| ELATX2015135/INX-316 | 200x150x135 | 175x125 | 1.2 | 1.2 | 2.1 | 13.10 | 16.40 | 19.60 | 22.90 | 26.20 |
| ELATX2020135/INX-316 | 200x200x135 | 175x175 | 1.2 | 1.2 | 2.4 | 15.70 | 19.60 | 23.50 | 27.40 | 31.30 |
| ELATX3015135/INX-316 | 300x150x135 | 275x125 | 1.2 | 1.2 | 2.5 | 18.10 | 22.60 | 27.10 | 31.60 | 36.10 |
| ELATX3020135/INX-316 | 300x200x135 | 275x175 | 1.2 | 1.2 | 3.0 | 21.40 | 26.80 | 32.10 | 37.50 | 42.80 |
| ELATX3030135/INX-316 | 300x300x135 | 275x275 | 1.2 | 1.2 | 4.0 | 28.10 | 35.10 | 42.20 | 49.20 | 56.20 |
| ELATX4020135/INX-316 | 400x200x135 | 375x175 | 1.2 | 1.2 | 3.6 | 27.20 | 34.00 | 40.80 | 47.50 | 54.30 |
| ELATX4030135/INX-316 | 400x300x135 | 375x275 | 1.2 | 1.2 | 4.9 | 35.40 | 44.30 | 53.10 | 62.00 | 70.80 |
| ELATX4040135/INX-316 | 400x400x135 | 375x375 | 1.2 | 1.2 | 5.9 | 43.60 | 54.60 | 65.50 | 76.40 | 87.30 |

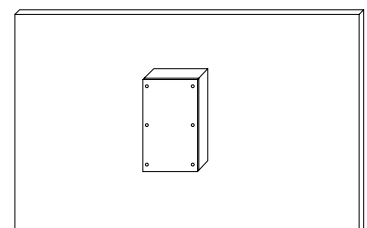
IP66 / NEMA 1, 4, 4x, 12.

AISI 316L Stainless steel. Scotch 320 satin finish.

Injected silicone rubber gasket. Ambient temperature range: -55 °C / +100 °C.

Boxes supplied without mounting plates.

* Calculations obtained according to the CEI 890:1997 standard + Corrigendum 1998; "Method of temperature-rise assessment by extrapolation for partially type-tested assemblies (PTTA) of low-voltage switchgear and control gear".



Plain metal mounting plates



| Reference No. | Dimensions | | For box | |
|---------------|------------|-------|---------|-------|
| | HEIGHT | WIDTH | HEIGHT | WIDTH |
| PLT1515 | 130 | 115 | 150 | 150 |
| PLT2015 | 180 | 115 | 200 | 150 |
| PLT2020 | 180 | 165 | 200 | 200 |
| PLT3015 | 280 | 115 | 300 | 150 |
| PLT3020 | 280 | 165 | 300 | 200 |
| PLT3030 | 280 | 265 | 300 | 300 |
| PLT4020 | 380 | 165 | 400 | 200 |
| PLT4030 | 380 | 265 | 400 | 300 |
| PLT4040 | 380 | 365 | 400 | 400 |

MATERIAL: Plain mounting plate in 2-mm thick galvanised steel.

CHARACTERISTICS: The plate is fastened with M6 nuts to the M6x20 bolts on the base of the box (mounting accessories bag included in the box).

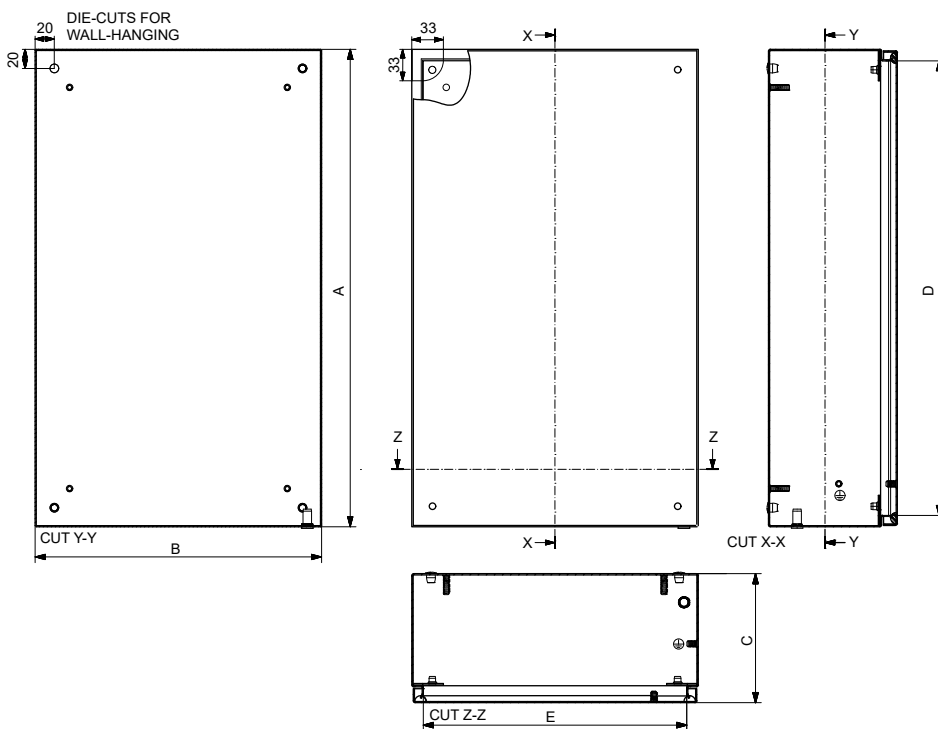
FOR THE FOLLOWING BOXES: ELATX.



ATEX stainless steel boxes

Dimensions: Tecno ATEX stainless steel

With plain sides



GLASS



IP66-IP55 Polyester wall-mounting cabinets

This series is comprised of a set of cabinets made of hot-pressed polyester reinforced with halogen-free fibreglass that deliver a really high level of performance.

With IP66-IP55 protection, they are designed especially for the food, chemical and pharmaceutical industries and outdoor processing centres due to their durability and resistance to chemical agents.

IP
55

IP
66

CE



GLASS

GLASS Technical specifications

- **Degree of protection:**
 - Cabinets from a height of 300 mm to 800 mm: IP66.
 - Cabinets from a height of 500 mm to 1250 mm: IP55.
- **Resistance to impact:**
 - Opaque door: IK10.
 - Transparent door: IK08.
- **Ambient temperature range:** -25 °C / +40 °C.
- **Test of resistance to glow wire:** 960 °C.
- **Thermal class:** A 150 °C.
- **Double insulation:** Class II.
- **Maximum rated operating voltage:** 1000 V AC / 1500 V DC.

GLASS Certifications

CE

Compliant with the Low Voltage Directive 2014/35/EU.
Standards: UNE-EN 62208 and UNE-EN 61439-1-3
(as applicable).

GLASS

IP66-IP55 polyester wall-mounting cabinets



Material

Fibreglass-reinforced hot-pressed polyester.

Main characteristics:

- Halogen-free.
- Non-hygroscopic (zero water absorption).
- Double insulation.
- Corrosion-resistant.

Polyester finish

RAL 7035 grey.

Product series

Standard

- IP66 cabinets with opaque and transparent door:
Height: 300 - 400 - 500 - 600 - 800 mm.
Width: 250 - 300 - 400 - 500 - 600 mm.
Depth: 140 - 200 - 230 - 300 mm.
- IP55 cabinets with opaque door.
IP55 cabinets open at the bottom.
- IP55 cabinets with canopy.
Height: 500 - 750 - 1000 - 1250 mm.
Width: 500 - 750 - 1000 - 1250 mm.
Depth: 300 - 420 mm.

Cabinets supplied without mounting plate.

To order

- Special cabinets, dimensions, cut-outs, colours, etc.

Supply

IP66 cabinets (from a height of 300 mm to 800 mm)

- Supplied in individual packaging.
- The accessories for fitting the mounting plate are fitted on the cabinet. Plate supplied in individual packaging if requested as an accessory.
- Key and assembly instructions.

IP55 cabinets (from a height of 500 mm to 1250 mm)

- Supplied individually shrink-wrapped and protected with cardboard at top and bottom.
- The accessories for fitting the mounting plate are fitted on the cabinet. Plate supplied in individual packaging if requested as an accessory.
- Key and assembly instructions.

Recommended applications

Industrial environments and outdoor facilities, chemical and pharmaceutical industries, transformer sub-stations and outdoor areas where durability and resistance against chemicals and UV rays are necessary.



IP66 cabinets with transparent door



IP55 cabinets with bottom opening



IP55 cabinets with canopy



Enclosure

IP66 cabinets (from a height of 300 mm to 800 mm)

- Compact enclosure with plain walls, thus optimising space and resistance.
- Lid that guarantees 180° door opening in flush-fit installations, preventing water from entering when the door is opened and guaranteeing flush installation with the surface.
- Quick-fixture guides for M6 screws for fitting accessories without having to drill holes.
- Wall-mounting with head-insulated screws or adjustable brackets (supplied as accessories).

IP55 cabinets (from a height of 500 mm to 1250 mm)

- Top-locking modules with flat lid.
- Two depths available, 300 mm and 420 mm, to cover all requirements.
- They are also available open at the bottom and with canopy.
- Two fixing possibilities by means of brackets made of galvanised steel or plinth (supplied as accessories).

Door

IP66 cabinets (from a height of 300 mm to 800 mm)

- Possibility of opaque or transparent door with 180° opening.
- Opaque doors: Permits the installation of switchgear on the inside. They feature vertical jigs to facilitate machining and to guarantee proper switchgear placement.
- Transparent doors: When combined with a chassis mounting plate and/or inner door they allow you to see the status of the switchgear, while still maintaining IP.
- Internal hinges made of Zamak.

IP55 cabinets (from a height of 500 mm to 1250 mm)

- Available with opaque door.
- Inner hinges that permit 105° opening and the possibility of left or right opening.



Locks

IP66 cabinets (from a height of 300 mm to 800 mm)

- Standard double-bit 3-mm DIN lock.
- Different locking and interlocking systems supplied as accessories.

IP55 cabinets (from a height of 500 mm to 1250 mm)

- Standard 3-mm, 3-point double-bit insert lock with retractable handle.
- Other types of locks supplied as accessories.

Mounting plate

IP66 cabinets (from a height of 300 mm to 800 mm)

- Mounting plates available:
 - 4-mm thick polyester.
 - 2-mm thick galvanised steel sheet.
 - 4-mm thick insulating Bakelite.
- Plate adjustment pack available for depths 200, 230 and 300 mm.
- Mounting plates supplied as accessory.

IP55 cabinets (from a height of 500 mm to 1250 mm)

- Mounting plates available:
 - 4-mm thick polyester.
 - 2 and 3-mm thick galvanised metal.
- Plate adjustment pack available for both depths, 300 and 420 mm.
- Mounting plates supplied as accessory.

GLASS

IP66 polyester wall-mounting cabinets

Opaque single-door cabinets. IP66 Polyester

| Reference No. | Dimensions (AXBXC) | Polyester thickness | | No. locks | No. hinges | Wall-mounting (EXF) | Weight KG | Power dissipation according to temperature increase °C P(W)* | | | | |
|------------------|-----------------------|---------------------|-----|-----------|------------|------------------------|--------------|--------------------------------------------------------------|-------|-------|-------|-------|
| | | ENCL. | LID | | | | | 20 | 25 | 30 | 35 | 40 |
| POL302514 | 300x250x140 | 2.5 | 2.7 | 1 | 2 | 248x215 | 2.0 | 16.1 | 20.1 | 24.1 | 28.1 | 32.1 |
| POL403020 | 400x300x200 | 2.8 | 2.8 | 2 | 2 | 338x262 | 3.7 | 27.7 | 34.7 | 41.6 | 48.5 | 55.4 |
| POL404020 | 400x400x200 | 2.8 | 2.8 | 2 | 2 | 338x362 | 4.6 | 33.6 | 42.0 | 50.4 | 58.8 | 67.2 |
| POL504020 | 500x400x200 | 2.8 | 2.8 | 2 | 2 | 438x362 | 5.5 | 40.0 | 50.1 | 60.1 | 70.1 | 80.1 |
| POL604023 | 600x400x230 | 3 | 3 | 2 | 2 | 538x362 | 7.4 | 49.9 | 62.4 | 74.9 | 87.4 | 99.8 |
| POL605023 | 600x500x230 | 3 | 3 | 2 | 2 | 538x462 | 8.2 | 58.1 | 72.6 | 87.1 | 101.6 | 116.1 |
| POL806030 | 800x600x300 | 3 | 3 | 2 | 2 | 734x558 | 13.1 | 94.9 | 118.7 | 142.4 | 166.1 | 189.8 |

Polyester RAL 7035.

Cabinets supplied without mounting plate.

With 1/4 turn lock.

Transparent single-door cabinets. IP66 Polyester

| Reference No. | Dimensions (AXBXC) | Polyester thickness | | No. locks | No. hinges | Door with transparent panel (KXJ) | Wall-mounting (EXF) | Weight KG | Power dissipation according to temperature increase °C P(W)* | | | | |
|--------------------|-----------------------|---------------------|-----|-----------|------------|--------------------------------------|------------------------|--------------|--------------------------------------------------------------|-------|-------|-------|-------|
| | | ENCL. | LID | | | | | | 20 | 25 | 30 | 35 | 40 |
| POL302514PT | 300x250x140 | 2.5 | 2.7 | 1 | 2 | 220x115 | 248x215 | 2.0 | 16.1 | 20.1 | 24.1 | 28.1 | 32.1 |
| POL403020PT | 400x300x200 | 2.8 | 2.8 | 2 | 2 | 281x121 | 338x262 | 3.7 | 27.7 | 34.7 | 41.6 | 48.5 | 55.4 |
| POL404020PT | 400x400x200 | 2.8 | 2.8 | 2 | 2 | 281x221 | 338x362 | 4.6 | 33.6 | 42.0 | 50.4 | 58.8 | 67.2 |
| POL504020PT | 500x400x200 | 2.8 | 2.8 | 2 | 2 | 381x221 | 438x362 | 5.5 | 40.0 | 50.1 | 60.1 | 70.1 | 80.1 |
| POL604023PT | 600x400x230 | 3 | 3 | 2 | 2 | 481x221 | 538x362 | 7.4 | 49.9 | 62.4 | 74.9 | 87.4 | 99.8 |
| POL605023PT | 600x500x230 | 3 | 3 | 2 | 2 | 481x321 | 538x462 | 8.2 | 58.1 | 72.6 | 87.1 | 101.6 | 116.1 |
| POL806030PT | 800x600x300 | 3 | 3 | 2 | 2 | 681x421 | 734x558 | 13.1 | 94.9 | 118.7 | 142.4 | 166.1 | 189.8 |

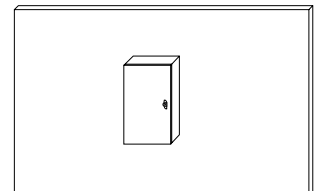
Polyester RAL 7035.

Cabinets supplied without mounting plate.

With 1/4 turn lock.

* Calculations obtained according to the CEI 890:1997 standard + Corrigendum 1998; "Method of temperature-rise assessment by extrapolation for partially type-tested assemblies (PTTA) of low-voltage switchgear and control gear".

SEE ACCESSORIES ON PAGES 94-95.





IP66 polyester cabinet with opaque door



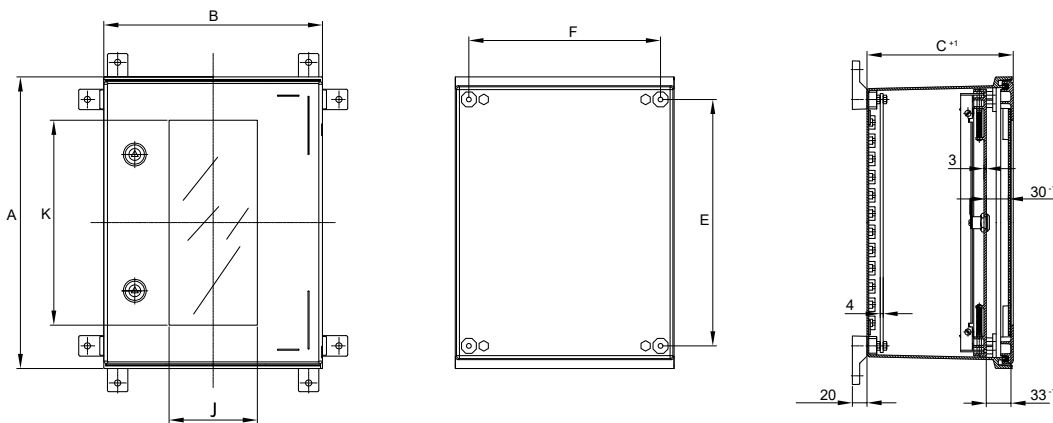
IP66 polyester cabinet with transparent door

GLASS

Maximum acceptable loads

| IP66 | Cabinet | Plate | Door |
|----------------------|---------|-------|-------|
| 300x250x140 cabinets | 15 kg | 11 kg | 2 kg |
| 400x300x200 cabinets | 24 kg | 19 kg | 4 kg |
| 400x400x200 cabinets | 32 kg | 26 kg | 5 kg |
| 500x400x200 cabinets | 40 kg | 33 kg | 6 kg |
| 600x400x230 cabinets | 48 kg | 40 kg | 7 kg |
| 600x500x230 cabinets | 60 kg | 51 kg | 9 kg |
| 800x600x300 cabinets | 96 kg | 84 kg | 14 kg |

Dimensions: IP66 Polyester



GLASS

IP55 polyester wall-mounting cabinets

Opaque-door cabinets. IP55 Polyester

| Reference No. | Dimensions | | Polyester thickness | | No. locks | No. hinges | Wall-mounting | Weight | Power dissipation according to temperature increase °C P(W)** | | | | |
|----------------|---------------|-------|---------------------|-----------|-----------|------------|---------------|--------|---------------------------------------------------------------|-------|-------|-------|-------|
| | (AXBXC) | SIDES | TOP/BOTTOM | REAR DOOR | | | | | KG | 20 | 25 | 30 | 35 |
| POL505030 | 510x500x312 | 4 | 3 | 3.5 | 3P | 2 | 368x552 | 9.8 | 60.3 | 75.4 | 90.5 | 105.6 | 120.7 |
| POL755030 | 760x500x312 | 4 | 3 | 3.5 | 3P | 2 | 618x552 | 13.0 | 82.4 | 103.0 | 123.6 | 144.2 | 164.8 |
| POL1005030 | 1010x500x312 | 4 | 3 | 3.5 | 3P | 3 | 868x552 | 16.8 | 104.5 | 130.6 | 156.7 | 182.8 | 209.0 |
| POL1007530 | 1010x750x312 | 4 | 3 | 3.5 | 3P | 3 | 868x802 | 21.2 | 136.9 | 171.1 | 205.3 | 239.5 | 273.7 |
| POL1007542 | 1010x750x420 | 3 | 3 | 3.5 | 3P | 3 | 868x802 | 22.7 | 161.0 | 201.2 | 241.4 | 281.7 | 321.9 |
| POL10010030(*) | 1010x1000x312 | 4 | 3 | 3.5 | 3P/3P | 3/3 | 868x1052 | 28.2 | 150.0 | 199.0 | 249.0 | 302.0 | 357.0 |
| POL10010042(*) | 1010x1000x420 | 3 | 3 | 3.5 | 3P/3P | 3/3 | 868x1052 | 30.2 | 181.0 | 239.0 | 300.0 | 364.0 | 430.0 |
| POL1255030 | 1260x500x312 | 4 | 3 | 3.5 | 3P | 4 | 1118x552 | 21.2 | 126.6 | 158.2 | 189.8 | 221.5 | 253.1 |
| POL1257530 | 1260x750x312 | 4 | 3 | 3.5 | 3P | 4 | 1118x802 | 26.4 | 165.1 | 206.3 | 247.6 | 288.9 | 330.2 |
| POL1257542 | 1260x750x420 | 3 | 3 | 3.5 | 3P | 4 | 1118x802 | 28.0 | 192.9 | 241.2 | 289.4 | 337.7 | 385.9 |
| POL12510030(*) | 1260x1000x312 | 4 | 3 | 3.5 | 3P/3P | 4/4 | 1118x1052 | 34.8 | 166.0 | 220.0 | 275.0 | 334.0 | 395.0 |
| POL12510042(*) | 1260x1000x420 | 3 | 3 | 3.5 | 3P/3P | 4/4 | 1118x1052 | 36.8 | 205.0 | 271.0 | 341.0 | 413.0 | 488.0 |
| POL12512530(*) | 1260x1250x312 | 4 | 3 | 3.5 | 3P/3P | 4/4 | 1118x1302 | 40.0 | 230.0 | 305.0 | 383.0 | 463.0 | 547.0 |
| POL12512542(*) | 1260x1250x420 | 3 | 3 | 3.5 | 3P/3P | 4/4 | 1118x1302 | 42.0 | 278.0 | 367.0 | 461.0 | 559.0 | 660.0 |

(*) Double-door cabinets.

Opaque-door cabinets. IP55 Polyester open at the bottom

| Reference No. | Dimensions | | Polyester thickness | | No. locks | No. hinges | Wall-mounting | Weight | Power dissipation according to temperature increase °C P(W)** | | | | |
|------------------|---------------|-------|---------------------|-----------|-----------|------------|---------------|--------|---------------------------------------------------------------|-------|-------|-------|-------|
| | (AXBXC) | SIDES | TOP/BOTTOM | REAR DOOR | | | | | KG | 20 | 25 | 30 | 35 |
| POL505030/A | 510x500x312 | 4 | 3 | 3.5 | 3P | 2 | 368x552 | 9.8 | 60.3 | 75.4 | 90.5 | 105.6 | 120.7 |
| POL755030/A | 760x500x312 | 4 | 3 | 3.5 | 3P | 2 | 618x552 | 13.0 | 82.4 | 103.0 | 123.6 | 144.2 | 164.8 |
| POL1005030/A | 1010x500x312 | 4 | 3 | 3.5 | 3P | 3 | 868x552 | 16.8 | 104.5 | 130.6 | 156.7 | 182.8 | 209.0 |
| POL1007530/A | 1010x750x312 | 4 | 3 | 3.5 | 3P | 3 | 868x802 | 21.2 | 136.9 | 171.1 | 205.3 | 239.5 | 273.7 |
| POL1007542/A | 1010x750x420 | 3 | 3 | 3.5 | 3P | 3 | 868x802 | 22.7 | 161.0 | 201.2 | 241.4 | 281.7 | 321.9 |
| POL10010030/A(*) | 1010x1000x312 | 4 | 3 | 3.5 | 3P/3P | 3/3 | 868x1052 | 28.2 | 150.0 | 199.0 | 249.0 | 302.0 | 357.0 |
| POL10010042/A(*) | 1010x1000x420 | 3 | 3 | 3.5 | 3P/3P | 3/3 | 868x1052 | 30.2 | 181.0 | 239.0 | 300.0 | 364.0 | 430.0 |
| POL1255030/A | 1260x500x312 | 4 | 3 | 3.5 | 3P | 4 | 1118x552 | 21.2 | 126.6 | 158.2 | 189.8 | 221.5 | 253.1 |
| POL1257530/A | 1260x750x312 | 4 | 3 | 3.5 | 3P | 4 | 1118x802 | 26.4 | 165.1 | 206.3 | 247.6 | 288.9 | 330.2 |
| POL1257542/A | 1260x750x420 | 3 | 3 | 3.5 | 3P | 4 | 1118x802 | 28.0 | 192.9 | 241.2 | 289.4 | 337.7 | 385.9 |
| POL12510030/A(*) | 1260x1000x312 | 4 | 3 | 3.5 | 3P/3P | 4/4 | 1118x1052 | 34.8 | 166.0 | 220.0 | 275.0 | 334.0 | 395.0 |
| POL12510042/A(*) | 1260x1000x420 | 3 | 3 | 3.5 | 3P/3P | 4/4 | 1118x1052 | 36.8 | 205.0 | 271.0 | 341.0 | 413.0 | 488.0 |
| POL12512530/A(*) | 1260x1250x312 | 4 | 3 | 3.5 | 3P/3P | 4/4 | 1118x1302 | 40.0 | 230.0 | 305.0 | 383.0 | 463.0 | 547.0 |
| POL12512542/A(*) | 1260x1250x420 | 3 | 3 | 3.5 | 3P/3P | 4/4 | 1118x1302 | 42.0 | 278.0 | 367.0 | 461.0 | 559.0 | 660.0 |

Polyester RAL 7035.

Cabinets supplied without mounting plate.

Opaque door cabinets with retractable handle.

3P: one 3-point lock.

(*) Double-door cabinets.

Check availability of cabinets opened at the bottom and with canopy (not in stock).



IP55 polyester cabinet with opaque door



IP55 polyester cabinet open at the bottom



IP55 polyester cabinet with canopy

Opaque-door cabinets. IP55 Polyester with canopy

| Reference No. | Dimensions | | Polyester thickness | | No. locks | No. hinges | Wall-mounting | Weight | Power dissipation according to temperature increase °C P(W)** | | | | | |
|------------------|---------------|-------|---------------------|------------------|-----------|------------|---------------|-----------|---------------------------------------------------------------|-------|-------|-------|-------|-------|
| | (AXBXC) | SIDES | TOP/BOTTOM | REAR DOOR CANOPY | | | | | KG | 20 | 25 | 30 | 35 | 40 |
| POL505030/T | 510x500x312 | 4 | 3 | 3.5 | 4 | 3P | 2 | 368x552 | 9.8 | 60.3 | 75.4 | 90.5 | 105.6 | 120.7 |
| POL755030/T | 760x500x312 | 4 | 3 | 3.5 | 4 | 3P | 2 | 618x552 | 13.0 | 82.4 | 103.0 | 123.6 | 144.2 | 164.8 |
| POL1005030/T | 1010x500x312 | 4 | 3 | 3.5 | 4 | 3P | 3 | 868x552 | 16.8 | 104.5 | 130.6 | 156.7 | 182.8 | 209.0 |
| POL1007530/T | 1010x750x312 | 4 | 3 | 3.5 | 4 | 3P | 3 | 868x802 | 21.2 | 136.9 | 171.1 | 205.3 | 239.5 | 273.7 |
| POL1007542/T | 1010x750x420 | 3 | 3 | 3.5 | 3 | 3P | 3 | 868x802 | 22.7 | 161.0 | 201.2 | 241.4 | 281.7 | 321.9 |
| POL10010030/T(*) | 1010x1000x312 | 4 | 3 | 3.5 | 3 | 3P/3P | 3/3 | 868x1052 | 28.2 | 150.0 | 199.0 | 249.0 | 302.0 | 357.0 |
| POL10010042/T(*) | 1010x1000x420 | 3 | 3 | 3.5 | 3.5 | 3P/3P | 3/3 | 868x1052 | 30.2 | 181.0 | 239.0 | 300.0 | 364.0 | 430.0 |
| POL1255030/T | 1260x500x312 | 4 | 3 | 3.5 | 4 | 3P | 4 | 1118x552 | 21.2 | 126.6 | 158.2 | 189.8 | 221.5 | 253.1 |
| POL1257530/T | 1260x750x312 | 4 | 3 | 3.5 | 4 | 3P | 4 | 1118x802 | 26.4 | 165.1 | 206.3 | 247.6 | 288.9 | 330.2 |
| POL1257542/T | 1260x750x420 | 3 | 3 | 3.5 | 3 | 3P | 4 | 1118x802 | 28.0 | 192.9 | 241.2 | 289.4 | 337.7 | 385.9 |
| POL12510030/T(*) | 1260x1000x312 | 4 | 3 | 3.5 | 3 | 3P/3P | 4/4 | 1118x1052 | 34.8 | 166.0 | 220.0 | 275.0 | 334.0 | 395.0 |
| POL12510042/T(*) | 1260x1000x420 | 3 | 3 | 3.5 | 3.5 | 3P/3P | 4/4 | 1118x1052 | 36.8 | 205.0 | 271.0 | 341.0 | 413.0 | 488.0 |
| POL12512530/T(*) | 1260x1250x312 | 4 | 3 | 3.5 | 3 | 3P/3P | 4/4 | 1118x1302 | 40.0 | 230.0 | 305.0 | 383.0 | 463.0 | 547.0 |
| POL12512542/T(*) | 1260x1250x420 | 3 | 3 | 3.5 | 3.5 | 3P/3P | 4/4 | 1118x1302 | 42.0 | 278.0 | 367.0 | 461.0 | 559.0 | 660.0 |

Polyester RAL 7035.

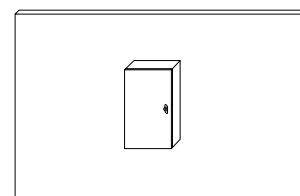
Cabinets supplied without mounting plate.

Opaque door cabinets with retractable handle.

3P: one 3-point lock.

(*) Double-door cabinets.

Check availability of cabinets opened at the bottom and with canopy (not in stock).



** Calculations obtained according to the CEI 890:1997 standard + Corrigendum 1998; "Method of temperature-rise assessment by extrapolation for partially type-tested assemblies (PTTA) of low-voltage switchgear and control gear".

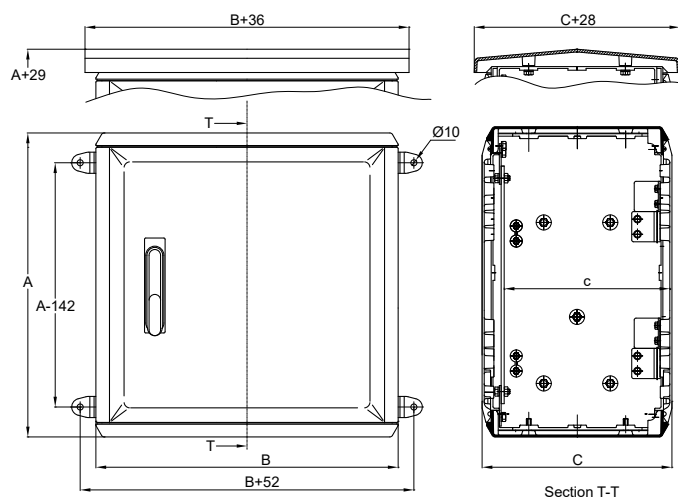
SEE ACCESSORIES ON PAGES 96-97.

Maximum acceptable loads

| IP55 | Plate | Door |
|---------------|--------|-------|
| 510x500x312 | 40 kg | 8 kg |
| 760x500x312 | 65 kg | 11 kg |
| 1010x500x312 | 90 kg | 15 kg |
| 1010x750x312 | 146 kg | 23 kg |
| 1010x750x420 | 146 kg | 23 kg |
| 1010x1000x312 | 202 kg | 15 kg |
| 1010x1000x420 | 202 kg | 15 kg |

| IP55 | Plate | Door |
|---------------|--------|---------|
| 1260x500x312 | 116 kg | 19 kg |
| 1260x750x312 | 187 kg | 28 kg |
| 1260x750x420 | 187 kg | 28 kg |
| 1260x1000x312 | 259 kg | 19 kg |
| 1260x1000x420 | 259 kg | 19 kg |
| 1260x1250x312 | 330 kg | 23,5 kg |
| 1260x1250x420 | 330 kg | 23,5 kg |

Dimensions: IP55 Polyester

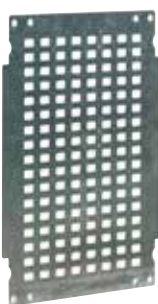


Wall-hanging accessories not included in the set.

GLASS

IP66 polyester wall-mounting cabinet accessories

Mounting plates



| Reference No. | Dimensions | | For cabinet | |
|------------------|----------------|------|-------------|-------|
| | HEIGHT X WIDTH | Ø | HEIGHT | WIDTH |
| POLYESTER | | | | |
| PPL3025 | 268x213 | 4xØ8 | 300 | 250 |
| PPL4030 | 358x260 | 8xØ8 | 400 | 300 |
| PPL4040 | 358x360 | 8xØ8 | 400 | 400 |
| PPL5040 | 458x360 | 8xØ8 | 500 | 400 |
| PPL6040 | 558x360 | 8xØ8 | 600 | 400 |
| PPL6050 | 558x460 | 8xØ8 | 600 | 500 |
| PPL8060 | 754x556 | 8xØ8 | 800 | 600 |

MATERIAL: Plain mounting plate in 4-mm thick reinforced polyester.

| Reference No. | Dimensions | | For cabinet | |
|----------------|----------------|------|-------------|-------|
| | HEIGHT X WIDTH | Ø | HEIGHT | WIDTH |
| METAL | | | | |
| PML3025 | 268x213 | 4xØ9 | 300 | 250 |
| PML4030 | 358x260 | 8xØ9 | 400 | 300 |
| PML4040 | 358x360 | 8xØ9 | 400 | 400 |
| PML5040 | 458x360 | 8xØ9 | 500 | 400 |
| PML6040 | 558x360 | 8xØ9 | 600 | 400 |
| PML6050 | 558x460 | 8xØ9 | 600 | 500 |
| PML8060 | 754x556 | 8xØ9 | 800 | 600 |

MATERIAL: Plain mounting plate in 2-mm thick galvanized steel.

| Reference No. | Dimensions | | For cabinet | |
|-------------------|----------------|------|-------------|-------|
| | HEIGHT X WIDTH | Ø | HEIGHT | WIDTH |
| INSULATING | | | | |
| PBL3025 | 268x213 | 4xØ8 | 300 | 250 |
| PBL4030 | 358x260 | 8xØ8 | 400 | 300 |
| PBL4040 | 358x360 | 8xØ8 | 400 | 400 |
| PBL5040 | 458x360 | 8xØ8 | 500 | 400 |
| PBL6040 | 558x360 | 8xØ8 | 600 | 400 |
| PBL6050 | 558x460 | 8xØ8 | 600 | 500 |
| PBL8060 | 754x556 | 8xØ8 | 800 | 600 |

MATERIAL: Plain mounting plate in 4-mm thick Bakelite.

MAX. LOAD: 200 kg.

| Reference No. | Dimensions | | For cabinet | |
|-------------------|----------------|------|-------------|-------|
| | HEIGHT X WIDTH | Ø | HEIGHT | WIDTH |
| PERFORATED | | | | |
| PMU3025 | 268x213 | 4xØ8 | 300 | 250 |
| PMU4030 | 358x260 | 8xØ8 | 400 | 300 |
| PMU5040 | 458x360 | 8xØ8 | 500 | 400 |
| PMU6040 | 558x360 | 8xØ8 | 600 | 400 |
| PMU8060 | 754x556 | 8xØ8 | 800 | 600 |

MATERIAL: Plain mounting plate in 2-mm thick galvanized steel.

CHARACTERISTICS: Supplied with all the elements required for installation.

FOR THE FOLLOWING CABINETS: IP66 Polyester.

Inner doors



| Reference No. | Dimensions | | For cabinet | |
|-----------------|----------------|--|-------------|-------|
| | HEIGHT X WIDTH | | HEIGHT | WIDTH |
| PPIN4030 | 366x258 | | 400 | 300 |
| PPIN4040 | 366x358 | | 400 | 400 |
| PPIN5040 | 466x358 | | 500 | 400 |
| PPIN6040 | 566x358 | | 600 | 400 |
| PPIN6050 | 566x458 | | 600 | 500 |
| PPIN8060 | 766x558 | | 800 | 600 |

MATERIAL: Fibreglass-reinforced polyester.

CHARACTERISTICS: Supplied with all the elements required for installation.

FOR THE FOLLOWING CABINETS: IP66 Polyester.

Modular chassis



| Reference No. | No. of modules | Rows | For cabinet | | |
|---------------|----------------|------|-------------|-------|-------|
| | | | HEIGHT | WIDTH | DEPTH |
| PCH4030 | 24 | 2x12 | 400 | 300 | 200 |
| PCH4040 | 36 | 2x18 | 400 | 400 | 200 |
| PCH5040 | 54 | 3x18 | 500 | 400 | 200 |
| PCH6040 | 54 | 3x18 | 600 | 400 | 230 |
| PCH6050 | 69 | 3x23 | 600 | 500 | 230 |
| PCH8060 | 116 | 4x29 | 800 | 600 | 300 |
| PCH8060/5 | 130 | 5x26 | 800 | 600 | 300 |

MATERIAL: Frame and chassis lid in RAL 7035 reinforced polyester.

CHARACTERISTICS: Includes frame and DIN profiles.

FOR THE FOLLOWING CABINETS: IP66 Polyester.

Plate adjustment pack



| Reference No. | For cabinet depth (mm) |
|---------------|------------------------|
| 29223 | 200 |
| 29224 | 230 |
| 29225 | 300 |

MATERIAL: Galvanised steel.

CHARACTERISTICS: Pack that includes 4 profiles to move the plate to different depths.

FOR THE FOLLOWING CABINETS: IP66 Polyester.

Wall-mounting



Ref. 29221



Ref. 29222

| Reference No. | Description |
|---------------|-------------------------------------------------------------|
| 29221 | Wall-mounting set with head-insulated screws (4-piece pack) |
| 29222 | Wall-mounting adjustable brackets (4-piece pack) |

CHARACTERISTICS: Ref. 29221 For mounting the cabinet directly to the wall using a set of 4 head-insulated screws.

Ref. 29222 Set of 4 adjustable brackets to place them in the required position.

Max. load: 96 kg.

SUPPLY: 4-piece pack.

FOR THE FOLLOWING CABINETS: IP66 Polyester.

Locks



Ref. 29229



Ref. 29230



Ref. 29231



Ref. 29233



Ref. 29266

| Reference No. | Description |
|---------------|------------------------------------------|
| 29229 | 3-mm double-bit DIN lock (standard) |
| 29230 | 11-mm triangle lock + key |
| 29231 | Manual lock with Keya T141-type key |
| 29233 | Manual lock with 220-type key |
| 29266 | Stainless steel interlocking for padlock |

MATERIAL: Black polyamide.

CHARACTERISTICS: Ref. 29266 does not include the padlock.

FOR THE FOLLOWING CABINETS: IP66 Polyester.

Post attachment



| Reference No. | Description |
|---------------|----------------------------------------------|
| 48420/3040 | Post attachment for cabinet width 300-400 mm |
| 48420/5060 | Post attachment for cabinet width 500-600 mm |

MATERIAL: Galvanised steel.

CHARACTERISTICS: It includes guides, clamps and necessary hardware for its installation. For circular post from 100 to 200 mm diameter and for square post from 60 to 100 mm side.

For cabinets from 300 to 600 mm wide. Maximum load: 130 kg.

SUPPLY: 2-piece pack.

FOR THE FOLLOWING CABINETS: IP66 Polyester.

GLASS

IP55 polyester wall-mounting cabinet accessories

Mounting plates for IP55 cabinets



| Reference No. | Dimensions | For cabinet | |
|---------------|----------------|-------------|-------|
| POLYESTER | HEIGHT X WIDTH | HEIGHT | WIDTH |
| PPL5050 | 393x405 | 500 | 500 |
| PPL7550 | 643x405 | 750 | 500 |
| PPL10050 | 893x405 | 1000 | 500 |
| PPL10075 | 893x655 | 1000 | 750 |
| PPL100100 | 893x905 | 1000 | 1000 |
| PPL12550 | 1143x405 | 1250 | 500 |
| PPL12575 | 1143x655 | 1250 | 750 |
| PPL125100 | 1143x905 | 1250 | 1000 |
| PPL125125 | 1143x1155 | 1250 | 1250 |

MATERIAL: Plain mounting plate in 4-mm thick reinforced polyester.

CHARACTERISTICS: In order to mount the plate, you must request the adjustment pack, which will depend on cabinet depth (Ref. 29235 or 29236).

FOR THE FOLLOWING CABINETS: IP55 Polyester.

| Reference No. | Dimensions | Thickness | For cabinet | |
|---------------|----------------|-----------|-------------|-------|
| METAL | HEIGHT X WIDTH | mm | HEIGHT | WIDTH |
| PML5050 | 393x405 | 2 | 500 | 500 |
| PML7550 | 643x405 | 2 | 750 | 500 |
| PML10050 | 893x405 | 3 | 1000 | 500 |
| PML10075 | 893x655 | 3 | 1000 | 750 |
| PML100100 | 893x905 | 3 | 1000 | 1000 |
| PML12550 | 1143x405 | 3 | 1250 | 500 |
| PML12575 | 1143x655 | 3 | 1250 | 750 |
| PML125100 | 1143x905 | 3 | 1250 | 1000 |
| PML125125 | 1143x1155 | 3 | 1250 | 1250 |

MATERIAL: Plain mounting plate in galvanised steel.

CHARACTERISTICS: In order to mount the plate, you must request the adjustment pack, which will depend on cabinet depth (Ref. 29235 or 29236).

FOR THE FOLLOWING CABINETS: IP55 Polyester.

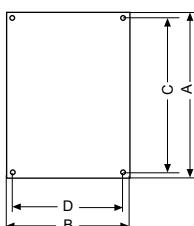
| Reference No. | Description | For cabinet |
|--------------------------------|---------------------------|-------------|
| MOUNTING PLATE ADJUSTMENT PACK | | DEPTH |
| 29235 | Plate adjustment pack 300 | 300 |
| 29236 | Plate adjustment pack 420 | 420 |

MATERIAL: Galvanised steel.

CHARACTERISTICS: In order to mount the plate, you must request the adjustment pack, which will depend on cabinet depth (Ref. 29235 or 29236).

FOR THE FOLLOWING CABINETS: IP55 Polyester.

IP55 plate dimensions



| Reference No. | Reference No. | Dimensions | | | | |
|---------------|---------------|------------|------|------|------|------|
| POLYESTER | METAL | A | B | C | D | Ø |
| PPL5050 | PML5050 | 393 | 405 | 353 | 375 | 4xØ9 |
| PPL7550 | PML7550 | 643 | 405 | 603 | 375 | 4xØ9 |
| PPL10050 | PML10050 | 893 | 405 | 853 | 375 | 4xØ9 |
| PPL10075 | PML10075 | 893 | 655 | 853 | 625 | 4xØ9 |
| PPL100100 | PML100100 | 893 | 905 | 853 | 875 | 8xØ9 |
| PPL12550 | PML12550 | 1143 | 405 | 1103 | 375 | 4xØ9 |
| PPL12575 | PML12575 | 1143 | 655 | 1103 | 625 | 4xØ9 |
| PPL125100 | PML125100 | 1143 | 905 | 1103 | 875 | 8xØ9 |
| PPL125125 | PML125125 | 1143 | 1155 | 1103 | 1125 | 8xØ9 |

Polyester plinth



| Reference No. | Dimensions | For cabinet | |
|-------------------|-------------|-------------|-------|
| | | WIDTH | DEPTH |
| ZOC5030/P | 60x500x300 | 500 | 300 |
| ZOC7530/P | 60x750x300 | 750 | 300 |
| ZOC7542/P | 60x750x420 | 750 | 420 |
| ZOC10030/P | 60x1000x300 | 1000 | 300 |
| ZOC10042/P | 60x1000x420 | 1000 | 420 |
| ZOC12530/P | 60x1250x300 | 1250 | 300 |
| ZOC12542/P | 60x1250x420 | 1250 | 420 |

MATERIAL: RAL 7035 polyester.

CHARACTERISTICS: Height of 60 mm.

FOR THE FOLLOWING CABINETS: IP55 Polyester.

Wall-mounting



| Reference No. | Description |
|---------------|---------------------------------------|
| 29240 | Wall-mounting brackets (4-piece pack) |

MATERIAL: Galvanised steel.

SUPPLY: Pack includes 4 brackets.

FOR THE FOLLOWING CABINETS: IP55 Polyester.

Locks with handle



Ref. 29241

Ref. 29242



Ref. 29243

Ref. 29244

Ref. 29247

| Reference No. | Description |
|---------------|--------------------------------------------------|
| 29241 | 3-mm double-bit DIN lock with key (standard) |
| 29242 | 11-mm triangle lock handle with key |
| 29243 | Manual lock handle with C911-type key |
| 29244 | 11-mm interlocking triangle lock handle with key |
| 29247 | Euro-profile handle lock (without bowler) |

MATERIAL: Black polyamide.

CHARACTERISTICS: Locks with retractable handle.

FOR THE FOLLOWING CABINETS: IP55 Polyester.

ROC



IP66 Polyester Double Insulation Boxes

The ROC series watertight boxes are made of fibreglass-reinforced polyester and insulating material that keeps the switchgear installed on the inside perfectly insulated.

With IP66 protection, they are available in two versions, with opaque or transparent lid, delivering excellent modular versatility in order to cater to the different applications: configuration of controlgear, switchgear or centralised meters for control, derivation and distribution purposes.

They are designed for outside use in the tertiary or industrial sectors and can be installed in aggressive environments thanks to their degree of protection, non-hygroscopic materials and UV protection.



ROC Technical Specifications

- Degree of protection: IP66.
- Resistance to impact: IK09.
- Test of resistance to glow wire: 960 °C.
- Ambient temperature range: -25 °C / +40 °C.
- Dielectric strength: >150 kV/cm.
- Insulation resistance: 3.3 kV.
- Protection against contacts: Double insulation.
- Double insulation: Class II.
- Thermal class: A 120 °C.
- Maximum rated operating voltage: 1000 V AC / 1500 V DC.

ROC Certifications



Compliant with the Low Voltage Directive 2014/35/EU.
Standards: UNE-EN 62208 and UNE-EN 61439-1.
(as applicable).

ROC

IP66 polyester double insulation boxes



Recommended applications

Industrial environments and outdoor facilities; chemical and pharmaceutical industries, transformer sub-stations and outdoor areas where durability and resistance against chemicals and UV rays are necessary.

Designation of references

References are designated with two digits:

- The first one indicates the width in number of modules.
- The second one indicates the height in number of modules.

E.g: ROC32APT 3 = width (3x90 = 270 mm).
 2 = height (2x90 = 180 mm).
 A = High lid.
 PT = Transparent door.

Product series

Standard

- IP66 boxes with polyester case and transparent polycarbonate lid.
- IP66 boxes with polyester case and opaque polycarbonate lid.
- Range: 32-33-34-42-44-63-64-66-84-86 modules.
- The 32-34-44-63-64-66 modules admit the high-lid variant.
- Set of 10 modular insulation boxes with height and width dimensions that are multiples of one module.
1 module = 90 mm.

Material

Bases manufactured in RAL 7035 grey fibreglass-reinforced polyester.

Transparent lids made of polycarbonate.

Opaque lids manufactured in RAL 7035 grey polycarbonate.

Main characteristics:

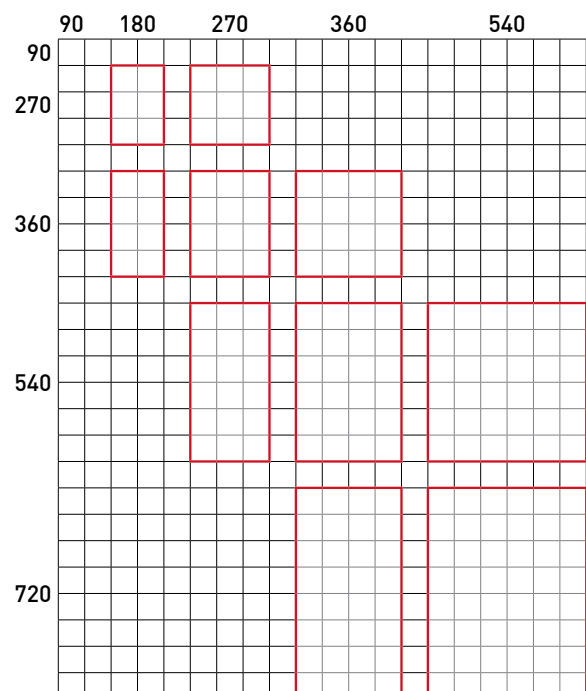
- Halogen-free.
- Non-hygroscopic (zero water absorption).
- Double insulation.
- Corrosion-resistant.
- Alkali-resistant.
- Transparent and opaque lids with ultraviolet (UV) protection.

Supply

Supplied in a single box per packaging multiples.

Each reference includes:

- Bag with four closing screws (Ref. 29551), except boxes ROC32 with screws reference 29555, and ROC42 with screws reference 29554.
- Bag of four screws for fixing the mounting plate.





Base

- System composed of modular boxes with height and width dimensions that are multiples of a 90-mm module.
- They come with M6 inserts in zamak for fixing mounting plates, switchgear, etc. Dismountable for subsequent recycling.

Lid

- Possibility of opaque or transparent polycarbonate lid: Opaque polycarbonate lid in RAL 7035 grey. Transparent lid in polycarbonate.
- Screws for use with a screwdriver. Other types of closing screws supplied as accessories: manual, for grey, blue or triangular screwdriver. Screws used in ROC42 references are sealables.
- Different hinge models supplied as accessories to easily turn the box into a cabinet.

Intended for industrial and outdoor facilities providing a high degree of protection against chemical agents and UV-rays

Total flexibility

- Boxes can be joined vertically and horizontally using brackets in order to achieve multiple combinations and constructions.
- High lids can be used to increase box depth.

Fixing systems

- Direct wall- or post-fixing. (Fixing elements supplied as accessories).



ROC

IP66 polyester double insulation boxes

Boxes with transparent lid. IP66 Polyester

| Reference No. | Modules | Dimensions | | Usable inner space | Wall-mount. dim. | Plate-mounting dim. | | Weight | Power dissipation according to temperature increase °C P(W)* | | | | |
|---------------|----------|-------------|-------------|--------------------|------------------|---------------------|-------|--------|--------------------------------------------------------------|-------|--------|--------|--------|
| | | (AXBXC) | (DXEXF) | | | (GXH) | (IXJ) | | (K) | KG | 20 | 25 | 30 |
| ROC32PT | 3x2 | 270x180x141 | 250x160x124 | 245x155 | 200x110 | - | - | 1.2 | 12.05 | 15.06 | 18.07 | 21.08 | 24.09 |
| ROC32APT | 3x2 high | 270x180x171 | 250x160x154 | 245x155 | 200x110 | - | - | 1.3 | 13.60 | 17.00 | 20.39 | 23.79 | 27.19 |
| ROC33PT | 3x3 | 270x270x171 | 250x250x154 | 245x245 | 200x200 | - | - | 1.6 | 17.49 | 21.86 | 26.23 | 30.60 | 34.97 |
| ROC34PT | 3x4 | 270x360x171 | 250x340x154 | 245x335 | 200x290 | - | - | 2.0 | 21.38 | 26.72 | 32.06 | 37.41 | 42.75 |
| ROC34APT | 3x4 high | 270x360x201 | 250x340x184 | 245x335 | 200x290 | - | - | 2.0 | 23.45 | 29.32 | 35.18 | 41.05 | 46.91 |
| ROC42PT | 4x2 | 360x180x171 | 340x160x154 | 335x155 | 290x110 | - | - | 1.3 | 17.12 | 21.40 | 25.69 | 29.97 | 34.25 |
| ROC44PT | 4x4 | 360x360x171 | 340x340x154 | 335x335 | 290x290 | - | - | 2.4 | 26.49 | 33.11 | 39.74 | 46.36 | 52.98 |
| ROC44APT | 4x4 high | 360x360x201 | 340x340x184 | 335x335 | 290x290 | - | - | 2.6 | 28.91 | 36.14 | 43.36 | 50.59 | 57.82 |
| ROC63PT | 6x3 | 540x270x171 | 515x245x154 | 515x245 | 470x200 | 200 | - | 2.7 | 30.45 | 38.06 | 45.67 | 53.28 | 60.90 |
| ROC63APT | 6x3 high | 540x270x201 | 515x245x184 | 515x245 | 470x200 | 200 | - | 3.0 | 33.28 | 41.60 | 49.92 | 58.25 | 66.57 |
| ROC64PT | 6x4 | 540x360x171 | 515x335x154 | 515x335 | 470x290 | 200 | - | 3.6 | 36.72 | 45.90 | 55.08 | 64.26 | 73.44 |
| ROC64APT | 6x4 high | 540x360x201 | 515x335x184 | 515x335 | 470x290 | 200 | - | 3.8 | 39.82 | 49.77 | 59.73 | 69.68 | 79.64 |
| ROC66PT | 6x6 | 540x540x171 | 515x515x154 | 515x515 | 470x470 | 200 | - | 5.2 | 49.26 | 61.58 | 73.89 | 86.21 | 98.52 |
| ROC66APT | 6x6 high | 540x540x201 | 515x515x184 | 515x515 | 470x470 | 200 | - | 5.4 | 52.89 | 66.11 | 79.33 | 92.56 | 105.78 |
| ROC84PT | 8x4 | 720x360x201 | 695x335x184 | 695x335 | 650x290 | 290 | - | 4.2 | 50.73 | 63.41 | 76.09 | 88.77 | 101.46 |
| ROC86PT | 8x6 | 720x540x201 | 695x515x184 | 695x515 | 650x470 | 290 | - | 7.3 | 66.97 | 83.72 | 100.46 | 117.20 | 133.95 |

RAL 7035 polyester.

Transparent polycarbonate lid with UV protection.

1 module = 90 mm.

ROC42 boxes: sealables.

Boxes with opaque lid. IP66 Polyester

| Reference No. | Modules | Dimensions | | Usable inner space | Wall-mount. dim. | Plate-mounting dim. | | Weight | Power dissipation according to temperature increase °C P(W)* | | | | |
|---------------|----------|-------------|-------------|--------------------|------------------|---------------------|-------|--------|--------------------------------------------------------------|-------|--------|--------|--------|
| | | (AXBXC) | (DXEXF) | | | (GXH) | (IXJ) | | (K) | KG | 20 | 25 | 30 |
| ROC32PO | 3x2 | 270x180x141 | 250x160x124 | 245x155 | 200x110 | - | - | 1.2 | 12.05 | 15.06 | 18.07 | 21.08 | 24.09 |
| ROC32APO | 3x2 high | 270x180x171 | 250x160x154 | 245x155 | 200x110 | - | - | 1.3 | 12.05 | 15.06 | 18.07 | 21.08 | 24.09 |
| ROC33PO | 3x3 | 270x270x171 | 250x250x154 | 245x245 | 200x200 | - | - | 1.6 | 17.49 | 21.86 | 26.23 | 30.60 | 34.97 |
| ROC34PO | 3x4 | 270x360x171 | 250x340x154 | 245x335 | 200x290 | - | - | 2.0 | 21.38 | 26.72 | 32.06 | 37.41 | 42.75 |
| ROC34APO | 3x4 high | 270x360x201 | 250x340x184 | 245x335 | 200x290 | - | - | 2.0 | 23.45 | 29.32 | 35.18 | 41.05 | 46.91 |
| ROC42PO | 4x2 | 360x180x171 | 340x160x154 | 335x155 | 290x110 | - | - | 1.3 | 17.12 | 21.40 | 25.69 | 29.97 | 34.25 |
| ROC44PO | 4x4 | 360x360x171 | 340x340x154 | 335x335 | 290x290 | - | - | 2.4 | 26.49 | 33.11 | 39.74 | 46.36 | 52.98 |
| ROC44APO | 4x4 high | 360x360x201 | 340x340x184 | 335x335 | 290x290 | - | - | 2.6 | 28.91 | 36.14 | 43.36 | 50.59 | 57.82 |
| ROC63PO | 6x3 | 540x270x171 | 515x245x154 | 515x245 | 470x200 | 200 | - | 2.7 | 30.45 | 38.06 | 45.67 | 53.28 | 60.90 |
| ROC63APO | 6x3 high | 540x270x201 | 515x245x184 | 515x245 | 470x200 | 200 | - | 2.9 | 33.28 | 41.60 | 49.92 | 58.25 | 66.57 |
| ROC64PO | 6x4 | 540x360x171 | 515x335x154 | 515x335 | 470x290 | 200 | - | 3.6 | 36.72 | 45.90 | 55.08 | 64.26 | 73.44 |
| ROC64APO | 6x4 high | 540x360x201 | 515x335x184 | 515x335 | 470x290 | 200 | - | 3.8 | 39.82 | 49.77 | 59.73 | 69.68 | 79.64 |
| ROC66PO | 6x6 | 540x540x171 | 515x515x154 | 515x515 | 470x470 | 200 | - | 5.2 | 49.26 | 61.58 | 73.89 | 86.21 | 98.52 |
| ROC66APO | 6x6 high | 540x540x201 | 515x515x184 | 515x515 | 470x470 | 200 | - | 5.4 | 52.89 | 66.11 | 79.33 | 92.56 | 105.78 |
| ROC84PO | 8x4 | 720x360x201 | 695x335x184 | 695x335 | 650x290 | 290 | - | 4.2 | 50.73 | 63.41 | 76.09 | 88.77 | 101.46 |
| ROC86PO | 8x6 | 720x540x201 | 695x515x184 | 695x515 | 650x470 | 290 | - | 7.3 | 66.97 | 83.72 | 100.46 | 117.20 | 133.95 |

RAL 7035 polyester.

Opaque polycarbonate lid.

1 module = 90 mm.

ROC42 boxes: sealables.

* Calculations obtained according to the CEI 890:1997 standard + Corrigendum 1998; "Method of temperature-rise assessment by extrapolation for partially type-tested assemblies (PTTA) of low-voltage switchgear and control gear".

SEE ACCESSORIES ON [PAGE 104](#).



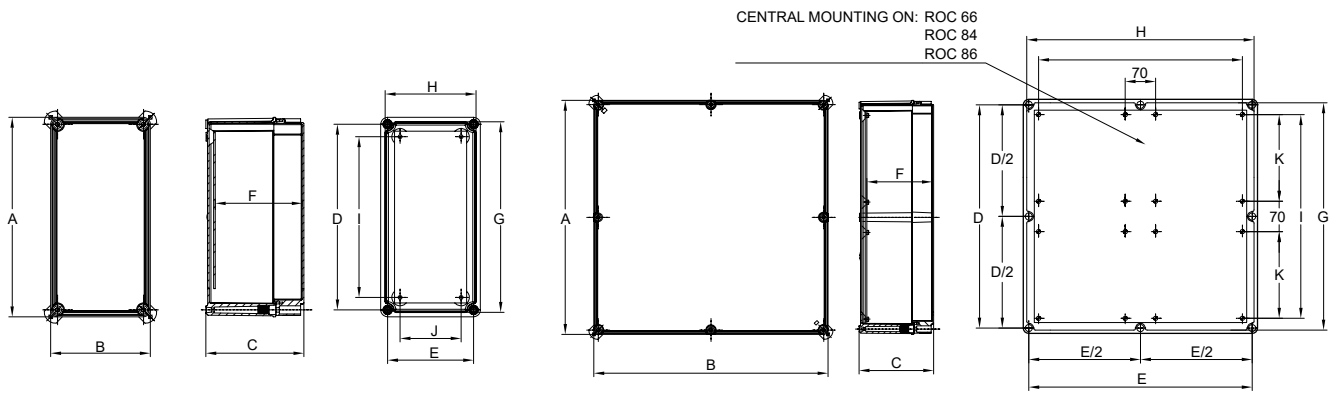
Box with opaque lid



Box with transparent lid

ROC

Dimensions



Mounting plates



| Reference No. | Plate dimensions | Thickness | For box type |
|-----------------------|------------------|-----------|--------------|
| POLYESTER | | | |
| HEIGHT X WIDTH | | mm | |
| PPL32 | 220x130 | 3 | ROC32 |
| PPL33 | 220x220 | 3 | ROC33 |
| PPL34 | 220x310 | 3 | ROC34 |
| PPL42 | 310x130 | 3 | ROC42 |
| PPL44 | 310x310 | 3 | ROC44 |
| PPL63 | 490x220 | 4 | ROC63 |
| PPL64 | 490x310 | 4 | ROC64 |
| PPL66 | 490x490 | 4 | ROC66 |
| PPL84 | 670x310 | 4 | ROC84 |
| PPL86 | 670x490 | 4 | ROC86 |
| BAKELITE | | | |
| HEIGHT X WIDTH | | mm | |
| PBL32 | 220x130 | 4 | ROC32 |
| PBL33 | 220x220 | 4 | ROC33 |
| PBL34 | 220x310 | 4 | ROC34 |
| PBL42 | 310x130 | 4 | ROC42 |
| PBL44 | 310x310 | 4 | ROC44 |
| PBL63 | 490x220 | 4 | ROC63 |
| PBL64 | 490x310 | 4 | ROC64 |
| PBL66 | 490x490 | 4 | ROC66 |
| PBL84 | 670x310 | 4 | ROC84 |
| PBL86 | 670x490 | 4 | ROC86 |
| METAL | | | |
| HEIGHT X WIDTH | | mm | |
| PML32 | 220x130 | 2 | ROC32 |
| PML33 | 220x220 | 2 | ROC33 |
| PML34 | 220x310 | 2 | ROC34 |
| PML42 | 310x130 | 2 | ROC42 |
| PML44 | 310x310 | 2 | ROC44 |
| PML63 | 490x220 | 2 | ROC63 |
| PML64 | 490x310 | 2 | ROC64 |
| PML66 | 490x490 | 2 | ROC66 |
| PML84 | 670x310 | 2 | ROC84 |
| PML86 | 670x490 | 2 | ROC86 |

MATERIAL: Ref. PPL: Fibreglass-reinforced polyester.
Ref. PBL: Insulating Baquelite. Ref. PML: Galvanised steel.

CHARACTERISTICS: The screws required for assembly are supplied with the box.

Coupling flanges



| Reference No. | Description |
|---------------|---------------------------------|
| 29503 | Coupling flange for width B=270 |
| 29504 | Coupling flange for width B=360 |

MATERIAL: Grey polycarbonate.

CHARACTERISTICS: For coupling boxes together. With sealing gasket and the necessary screws.

Side closing cover



| Reference No. | Description |
|---------------|-------------------------------|
| 29513 | Closing plate for width B=270 |
| 29514 | Closing plate for width B=360 |

MATERIAL: Grey polycarbonate.

CHARACTERISTICS: Side-opening closing covers. With sealing gasket and the necessary screws.

Wall-mounting



| Reference No. | Description |
|---------------|--------------------|
| 29521 | Wall-mounting lugs |
| 29524 | Mast attachment |

MATERIAL: Galvanised steel - Stainless steel.
CHARACTERISTICS: Wall- or post-fixing devices. Reference No. 29521 can be mounted horizontally, vertically and diagonally

Ventilation and bleeding devices



| Reference No. | Description |
|---------------|---------------------------------|
| 29530 | Bleeding device |
| 29531 | Ventilation device Ø 19 mm IP43 |
| 29532 | Ventilation device Ø 29 mm IP43 |

MATERIAL: Thermoplastic.
CHARACTERISTICS: They facilitate air circulation through convection inside the modules, preventing the formation of condensation. Designed to prevent the entry of foreign bodies.

Hinges



| Reference No. | Description |
|---------------|-----------------------------------------------------------|
| 29540 | External hinges (2-piece bag) Except for 3x2 module boxes |
| 29541 | Flexible hinge for screwdriver |
| 29542 | Manual flexible hinge |

CHARACTERISTICS: For side opening of modules.

Closing screw



| Reference No. | Description |
|---------------|-------------------------------|
| 29550 | Manual head |
| 29551 | Grey screwdriver head |
| 29552 | Blue screwdriver head |
| 29553 | Triangular head (ROC32) |
| 29554 | Sealable screw head (ROC42) |
| 29555 | Grey screwdriver head (ROC32) |

MATERIAL: Polyamide.
CHARACTERISTICS: Captive closing screws. References 29550, 29551 and 29552 are suitable for all the boxes, except ROC32 and ROC42 types.
SUPPLY: 4-piece bag.

Cable accessories



| Reference No. | Description |
|---------------|---------------------|
| 29545 | Cable box A 263/109 |
| 29546 | Cable box B 173/109 |

ARGENTA PLUS



IP55-IP65 Steel floor-standing cabinets

The Floor-Standing Cabinets of the ARGENTA PLUS series are a set of industrial steel enclosures designed to contain any type of electrical device and equipment necessary for the supply, distribution and conversion of electricity, and are suitable for control and automation equipment for industrial plants and machine tools.

This range of cabinets has been designed for maximum versatility so that the installer can create their own arrangements depending on their needs. It is highly functional thanks to the different possibilities for joining cabinets together, the possibility of installing any type of electrical device and the comprehensive range of accessories available for this series.

Intended for the most professional sector, the range is available in three versions: combinable, semi-compact and compact.



ROLLED STEEL

COMPACT (BIG) Technical Specifications

- **Degree of protection:**
Single-door cabinets: IP65* / NEMA 1, 4, 12.
Double-door cabinets: IP55 / NEMA 1, 12.
 - **Resistance to impact:**
Enclosure and opaque doors: IK10.
 - **Ambient temperature range:** -25 °C / +40 °C.
(See references on page 110)
- * With the 48690 insulation kit.

SEMI-COMPACT (FSC) Technical Specifications

- **Degree of protection:**
Single-door cabinets: IP65* / NEMA 1, 4, 12.
Double-door cabinets: IP55 / NEMA 1, 12.
 - **Resistance to impact:**
Enclosure and opaque doors: IK10.
Transparent doors: IK09.
 - **Ambient temperature range:** -25 °C / +40 °C.
(See references on page 122)
- * With the 48690 insulation kit.

COMBINABLE (ENL) Technical Specifications

- **Degree of protection:**
Single-door cabinets: IP55 / NEMA 1, 12.
Double-door cabinets: IP55 / NEMA 1, 12.
- **Resistance to impact:**
Enclosure and opaque doors: IK10.
Transparent doors: IK09.
- **Ambient temperature range:** -25 °C / +40 °C.
(See references on page 128)

STAINLESS STEEL

COMPACT (BIG) Technical Specifications

- **Degree of protection:**
Single-door cabinets: IP65 / NEMA 1, 4, 4x, 12.
- **Resistance to impact:**
Enclosure and opaque doors: IK10.
- **Ambient temperature range:** -25 °C / +40 °C.
(See references on page 114)

IP55-IP65 Floor-standing cabinets Certifications



Compliant with the Low Voltage Directive 2014/35/EU.
Standards: UNE-EN 62208 and UNE-EN 61439-1
(as applicable).
UL508A and Gost-R certificates.
VDE Certificate available for single-door cabinets.

IP55-IP65 Floor-standing cabinets Electrical properties

- **Max. rated operating voltage (U_o):** 1000 V AC / 1500 V DC.
- **Rated insulation voltage (U_i):** 1000 V AC.
- **Rated impulse withstand voltage (U_{imp}):**
12 kV (depending on type of accessory).
- **Current (I_e):**
BIG: up to 3200 A (depending on type of accessory).
ENL-FSC: up to 6200 A (depending on type of accessory).
- **Rated short-time withstand current (I_{cw}):**
105 kA (1s) (depending on type of accessory).
- **Rated peak withstand current (I_{pk}):**
231 kA (depending on type of accessory).

ARGENTA PLUS COMPACT (BIG)

IP55-IP65 rolled steel floor-standing compact cabinets



Product series (Rolled steel)

Standard:

- Opaque door cabinets with mounting plate.
- Single door up to width of 1000 mm.
- Double door as of width of 1000 mm.
- Height: 1650 - 1800 - 2000 mm.
- Width: 600 - 800 - 1000 - 1200 mm.
- Depth: 400 - 500 mm.

To order:

- Special cabinets, dimensions, cut-outs, colours, etc.

Supply

- Supplied on pallets, protected with honeycomb cardboard corner pieces and shrink-wrap film.
- The plate is supplied assembled.
- Key.
- Assembly instructions.

Compact and robust with an enclosure that delivers greater rigidity and maximum flexibility

Material

- Cold-rolled steel EN 10130+A1.
- Injected polyurethane sealing gasket.

Finish

- Coated with primer, and hardened polyester RAL 7035 paint, embossed, with UV protection.

Protection

- Corrosion resistance according to the UNE-EN 62208 standard. For outdoor installations, the effect of the corrosion must be taken into consideration.

Standard painting cycle

- **Degreasing:** Removal of remains of contaminants by means of a neutral stripper and tensoactive concentrate.
- **Rinsing:** Two rinses, the first one with mains water and the second one with demineralised water.
- **Passivation:** Thin-coat conversion agent.
- **Drying:** With hot air (in a tunnel at 100 °C).
- **Primer painting:** Application of a first layer of antioxidant protection primer paint.
- **First firing:** Furnace polymerisation adherence at 170 °C for 10 min.
- **Painting:** Coated with hardened RAL 7035 polyester paint.
- **Firing:** Furnace polymerisation adherence at 180 °C for 15-20 min.



Enclosure

- Single-piece cabinet enclosure with detachable rear panel. Manufactured in 1.5-mm thick sheet with sealing gasket to guarantee IP protection.
- Four profiles fitted on the corners attached to the enclosure by nut bolts afford the cabinet excellent robustness.

Cable entry

- Cable entry covered by detachable and exchangeable plates made of 1.2-mm thick galvanised steel.
- Covers of 100 mm and 200 mm depending on cabinet depth.

Insulation kit

- The 48690 insulation kit should be ordered to achieve IP65 protection.

Door

- 2-mm-thick opaque door with 120° reversible opening.
- Four hidden and detachable hinges made of reinforced zamak.
- Double door as of width of 1000 mm:
Opaque door 1000 mm: PO500+PO500
Opaque door 1200 mm: PO600+PO600
- Sealing gasket to guarantee the IP protection.
- Reinforcement profiles with cut-out holes with separation of 25 mm for fitting accessories.

Locks

- 4-Point 1/4 turn lock, double-bit insert with retractable handle in RAL 7016 grey.
- Double door prepared for the installation of 2-point 1/4 turn interior double lock and double-bit exterior insert with handle, supplied as accessory.
- Other types of lock are also supplied as accessories.

Mounting plate

- Made from galvanised sheet steel with a thickness of 3 mm, reinforced with C-shaped folds.
- It includes the 4 depth-adjustable supports required for fitting.
- Plates supplied assembled in the cabinet.



ARGENTA PLUS COMPACT (BIG)

IP55-IP65 rolled steel floor-standing compact cabinets

Single-door cabinets with mounting plate. Rolled steel. IP65* Compact

| Reference No. | Dimensions (AXBXC) | Opaque door | Cable entry WIDTH X DEPTH | Weight KG | Power dissipation according to temperature increase °C P(W)*** | | | | |
|---------------|-----------------------|-------------|------------------------------|--------------|----------------------------------------------------------------|-------|-------|--------|--------|
| | | | | | 20 | 25 | 30 | 35 | 40 |
| BIG1656040PO | 1650x600x400 | PO | 370x270 | 97.6 | 320.1 | 400.1 | 480.2 | 560.2 | 640.2 |
| BIG1658040PO | 1650x800x400 | PO | 570x270 | 117.7 | 383.2 | 479.1 | 574.9 | 670.7 | 766.5 |
| BIG16510040PO | 1650x1000x400 | PO | 770x270 | 142.5 | 446.4 | 558.0 | 669.6 | 781.2 | 892.8 |
| BIG1806040PO | 1800x600x400 | PO | 370x270 | 104.6 | 345.8 | 432.3 | 518.8 | 605.2 | 691.7 |
| BIG1808040PO | 1800x800x400 | PO | 570x270 | 126.3 | 413.6 | 517.0 | 620.4 | 723.8 | 827.2 |
| BIG1808050PO | 1800x800x500 | PO | 570x370 | 133.7 | 461.6 | 577.0 | 692.3 | 807.7 | 923.1 |
| BIG18010040PO | 1800x1000x400 | PO | 770x270 | 152.7 | 481.4 | 601.7 | 722.0 | 842.4 | 962.7 |
| BIG18010050PO | 1800x1000x500 | PO | 770x370 | 160.5 | 532.4 | 665.5 | 798.6 | 931.7 | 1064.8 |
| BIG2006040PO | 2000x600x400 | PO | 370x270 | 113.9 | 380.2 | 475.2 | 570.2 | 665.3 | 760.3 |
| BIG2008040PO | 2000x800x400 | PO | 570x270 | 137.7 | 454.1 | 567.6 | 681.1 | 794.6 | 908.2 |
| BIG2008050PO | 2000x800x500 | PO | 570x370 | 145.5 | 506.0 | 632.5 | 759.0 | 885.5 | 1012.0 |
| BIG20010040PO | 2000x1000x400 | PO | 770x270 | 166.1 | 528.0 | 660.0 | 792.0 | 924.0 | 1056.0 |
| BIG20010050PO | 2000x1000x500 | PO | 770x370 | 174.4 | 583.0 | 728.8 | 874.5 | 1020.3 | 1166.0 |

Double-door cabinets with mounting plate. Rolled steel. IP55** Compact

| Reference No. | Dimensions (AXBXC) | Opaque door | Cable entry WIDTH X DEPTH | Weight KG | Power dissipation according to temperature increase °C P(W)*** | | | | |
|----------------|-----------------------|-------------|------------------------------|--------------|----------------------------------------------------------------|--------|--------|--------|--------|
| | | | | | 20 | 25 | 30 | 35 | 40 |
| BIG16510040POD | 1650x1000x400 | PO | 770x270 | 146.4 | 446.4 | 558.0 | 669.6 | 781.2 | 892.8 |
| BIG16512040POD | 1650x1200x400 | PO | 970x270 | 168.7 | 509.5 | 636.9 | 764.3 | 891.7 | 1019.0 |
| BIG18010040POD | 1800x1000x400 | PO | 770x270 | 157.1 | 481.4 | 601.7 | 722.0 | 842.4 | 962.7 |
| BIG18010050POD | 1800x1000x500 | PO | 770x370 | 164.8 | 532.4 | 665.5 | 798.6 | 931.7 | 1064.8 |
| BIG18012040POD | 1800x1200x400 | PO | 970x270 | 181.0 | 549.1 | 686.4 | 823.7 | 961.0 | 1098.2 |
| BIG18012050POD | 1800x1200x500 | PO | 970x370 | 189.2 | 603.2 | 754.1 | 904.9 | 1055.7 | 1206.5 |
| BIG20010040POD | 2000x1000x400 | PO | 770x270 | 170.9 | 528.0 | 660.0 | 792.0 | 924.0 | 1056.0 |
| BIG20010050POD | 2000x1000x500 | PO | 770x370 | 179.1 | 583.0 | 728.8 | 874.5 | 1020.3 | 1166.0 |
| BIG20012040POD | 2000x1200x400 | PO | 970x270 | 196.9 | 601.9 | 752.4 | 902.9 | 1053.4 | 1203.8 |
| BIG20012050POD | 2000x1200x500 | PO | 970x370 | 205.6 | 660.0 | 825.0 | 990.0 | 1155.0 | 1320.0 |
| BIG20016040POD | 2000x1600x400 | PO | 2x(570x270) | 260.6 | 749.8 | 937.2 | 1124.6 | 1312.1 | 1499.5 |
| BIG20016050POD | 2000x1600x500 | PO | 2x(570x370) | 271.3 | 814.0 | 1017.5 | 1221.0 | 1424.5 | 1628.0 |

Single-door cabinets: IP65 / NEMA 1, 4, 12.

Double-door cabinets: IP55 / NEMA 1,12.

Cold rolled steel primed and painted RAL 7035.

Supplied with mounting plate. Cable entry lid included.

UL certificate available for widths up to 1200 mm.

For special cabinets, check availability of UL certificate.

VDE Certificate available for single-door cabinets.

* The 48690 insulation kit should be ordered to achieve IP65 protection.

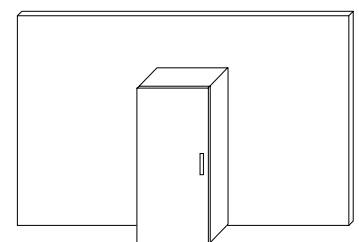
** An interior double lock is needed to achieve IP55 protection.

[A=1650 Ref.: 48483; A= 1800 Ref.: 48484; A=2000 Ref.: 48485].

*** Calculations obtained according to the CEI 890:1997 standard + Corrigendum 1998; "Method of temperature-rise assessment by extrapolation for partially type-tested assemblies (PTTA) of low-voltage switchgear and control gear".

SEE DIMENSIONS ON PAGES 118-119.

SEE ACCESSORIES ON PAGE 138.



Insulation kit



Reference No.

Description

48690

Insulation kit for cable entry lids

Needed to achieve IP65 protection in BIG-type compact cabinets.

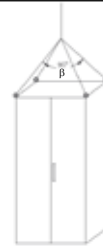


Maximum lifting loads

Maximum load declared according to the number of lifting eyebolts and the angle of the chain:

| 4 EYEBOLTS | | 2 EYEBOLTS | |
|-----------------------|-----------------------------------|-----------------------|-----------------------------------|
| $\beta \leq 90^\circ$ | $90^\circ < \beta \leq 120^\circ$ | $\beta \leq 90^\circ$ | $90^\circ < \beta \leq 120^\circ$ |
| 1250 kg | 720 kg | 625 kg | 360 kg |

It is not recommended to lift the cabinet when the angle between chains is greater than 120° . The weight must be evenly distributed.



Compact single-door cabinet



Compact double-door cabinet

ARGENTA PLUS COMPACT (BIG)

IP65 stainless steel floor-standing compact cabinets



Product series (Stainless steel)

Standard:

- AISI 304L opaque door cabinets with mounting plate.
- Height: 1650 - 1800 - 2000 mm.
- Width: 600 - 800 - 1000 mm.
- Depth: 400 - 500 mm.

Supply

- Supplied with protective film, on pallets, and protected with honeycomb cardboard corner pieces and shrink-wrap film.
- The plate is supplied assembled.
- Key.
- Assembly instructions.

Intended for outdoor and industrial facilities with extremely aggressive agents or saline environments

Recommended applications

- **AISI 304L:** Industrial environments and outdoor facilities with aggressive agents or saline environments; food, chemical and petrochemical industries, where a high degree of hygiene is required.

Material

- AISI 304L stainless steel.
- Injected polyurethane sealing gasket.

Finish

- Scotch 320 satin finish.



Enclosure

- Single-piece cabinet enclosure. Manufactured in 2-mm thick sheet with sealing gasket to guarantee IP protection.
- Four profiles fitted on the corners attached to the enclosure by nut bolts affording the cabinet excellent robustness.

Door

- 2-mm-thick opaque door with 120° reversible opening.
- Four hidden and detachable hinges made of reinforced zamak.
- Sealing gasket to guarantee the IP protection.
- Reinforcement profiles with cut-out holes with separation of 25 mm for fitting accessories.

Lock

- Made in zamak, 4-Point 1/4 turn lock, double-bit insert with retractable handle.
- Stainless steel lock is also supplied as an accessory.



Cable entry

- Cable entry covered by a single plate, made of stainless steel 2-mm thick, with sealing gasket.

Mounting plate

- Made from galvanised sheet steel with a thickness of 3 mm, reinforced with C-shaped folds.
- It includes the 4 depth-adjustable supports required for fitting.
- Plates supplied assembled in the cabinet.

ARGENTA PLUS COMPACT (BIG)

IP65 stainless steel floor-standing compact cabinets

Single-door cabinets with mounting plate. **Stainless steel. IP65 Compact**

| Reference No. | Dimensions (AXBXC) | Opaque door | Cable entry WIDTH X DEPTH | Weight KG | Power dissipation according to temperature increase °C P(W)* | | | | |
|--------------------------|-----------------------|-------------|------------------------------|--------------|-----------------------------------------------------------------|-------|-------|--------|--------|
| | | | | | 20 | 25 | 30 | 35 | 40 |
| BIG1656040PO/INX | 1650x600x400 | PO | 300x200 | 102.2 | 320.1 | 400.1 | 480.2 | 560.2 | 640.2 |
| BIG1658040PO/INX | 1650x800x400 | PO | 500x200 | 104.1 | 383.2 | 479.1 | 574.9 | 670.7 | 766.5 |
| BIG16510040PO/INX | 1650x1000x400 | PO | 700x200 | 141.3 | 446.4 | 558.0 | 669.6 | 781.2 | 892.8 |
| BIG1806040PO/INX | 1800x600x400 | PO | 300x200 | 105.7 | 345.8 | 432.3 | 518.8 | 605.2 | 691.7 |
| BIG1808040PO/INX | 1800x800x400 | PO | 500x200 | 131.6 | 413.6 | 517.0 | 620.4 | 723.8 | 827.2 |
| BIG1808050PO/INX | 1800x800x500 | PO | 500x300 | 141.3 | 461.6 | 577.0 | 692.3 | 807.7 | 923.1 |
| BIG18010040PO/INX | 1800x1000x400 | PO | 700x200 | 152.0 | 481.4 | 601.7 | 722.0 | 842.4 | 962.7 |
| BIG18010050PO/INX | 1800x1000x500 | PO | 700x300 | 154.0 | 532.4 | 665.5 | 798.6 | 931.7 | 1064.8 |
| BIG2006040PO/INX | 2000x600x400 | PO | 300x200 | 116.3 | 380.2 | 475.2 | 570.2 | 665.3 | 760.3 |
| BIG2008040PO/INX | 2000x800x400 | PO | 500x200 | 140.3 | 454.1 | 567.6 | 681.1 | 794.6 | 908.2 |
| BIG2008050PO/INX | 2000x800x500 | PO | 500x300 | 160.8 | 506.0 | 632.5 | 759.0 | 885.5 | 1012.0 |
| BIG20010040PO/INX | 2000x1000x400 | PO | 700x200 | 173.8 | 528.0 | 660.0 | 792.0 | 924.0 | 1056.0 |
| BIG20010050PO/INX | 2000x1000x500 | PO | 700x300 | 183.5 | 583.0 | 728.8 | 874.5 | 1020.3 | 1166.0 |

Single-door cabinets: IP65 / NEMA 1, 4, 4x, 12.
AISI 304L stainless steel. Scotch 320 satin finish.

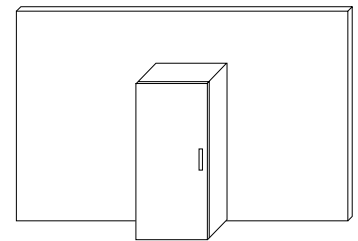
Supplied with mounting plate. Cable entry lid included.

For special cabinets, check availability of UL certificate.
VDE certificate available for single-door cabinets.

*Calculations obtained according to the CEI 890:1997 standard + Corrigendum 1998; "Method of temperature-rise assessment by extrapolation for partially type-tested assemblies (PTTA) of low-voltage switchgear and control gear".

SEE DIMENSIONS ON [PAGE 117](#).

SEE ACCESSORIES ON [PAGE 116](#).



Maximum lifting loads

Maximum load declared according to the number of lifting eyebolts and the angle of the chain:

| 4 EYEBOLTS | | 2 EYEBOLTS | |
|-----------------------|-----------------------------------|-----------------------|-----------------------------------|
| $\beta \leq 90^\circ$ | $90^\circ < \beta \leq 120^\circ$ | $\beta \leq 90^\circ$ | $90^\circ < \beta \leq 120^\circ$ |
| 1250 kg | 720 kg | 625 kg | 360 kg |

It is not recommended to lift the cabinet when the angle between chains is greater than 120° .
The weight must be evenly distributed.



Single-door compact cabinet stainless steel

ARGENTA PLUS COMPACT (BIG)

IP65 stainless steel floor-standing compact cabinets accessories

Plinth



| Reference | Dimensions | For cabinet | |
|---------------------|---------------------------------------|-------------|-------|
| | | WIDTH | DEPTH |
| INXZCLB6040 | HEIGHT X WIDTH X DEPTH 100x600x400 | 600 | 400 |
| INXZCLB8040 | 100x800x400 | 800 | 400 |
| INXZCLB8050 | 100x800x500 | 800 | 500 |
| INXZCLB10040 | 100x1000x400 | 1000 | 400 |
| INXZCLB10050 | 100x1000x500 | 1000 | 500 |

MATERIAL: AISI 304L Stainless steel. Scotch 320 satin finish.

CHARACTERISTICS: Plinth supplied with both front and side covers.

Locks with handle



Ref. 48568



Ref. 48569

| Reference | Description |
|--------------|-------------------------------------|
| 48568 | Lock with handle in zamak |
| 48569 | Lock with handle in stainless steel |

Profile half cylinder not included.



Ref. 48574



Ref. 48595

| | |
|--------------|--------------------------------------------------|
| 48574 | 5-mm Double bit profile half cylinder in zamak |
| 48595 | Profile half cylinder in zamak with key code 333 |

Hinges and retainer



Ref. 48575



Ref. 48576

| Reference | Description |
|--------------|--------------------------------------|
| 48575 | 120° standard hinges (4-pieces pack) |
| 48576 | Lock retainer (4-pieces pack) |

Rods for locks



| Reference | Description |
|--------------|-------------------------------------|
| 48560 | Single door rod 1650-1800 mm height |
| 48561 | Single door rod 2000 mm height |
| 48577 | Control of rods in zamak |

Assembly profiles for doors



| Reference No. | For door | |
|------------------|----------|---------|
| | WIDTH | Pack |
| PPAP600 | 600 | 1 piece |
| PPAP800X | 800 | 1 piece |
| PPAP1000X | 1000 | 1 piece |

MATERIAL: Galvanised steel.

CHARACTERISTICS: Profile for fitting horizontally to the door profiles. Assembly screws not included.

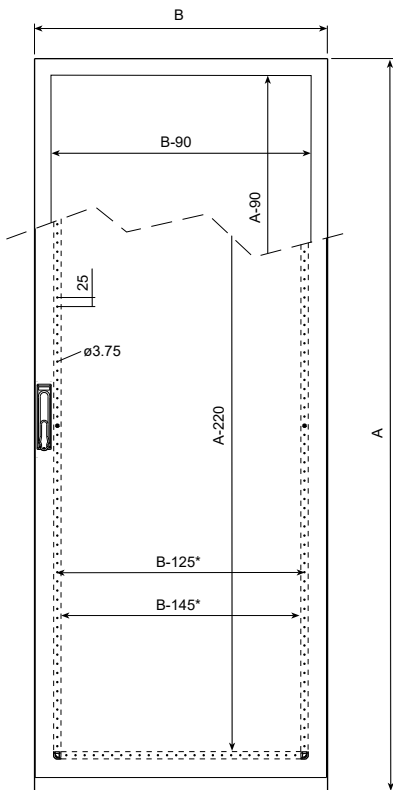
SUPPLY: 1-piece pack.



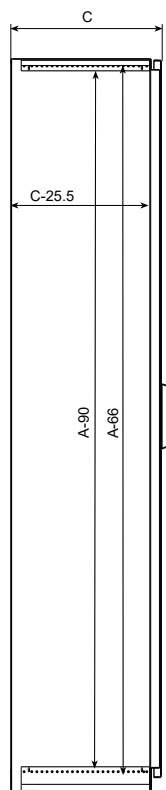
Dimensions: Argenta Plus compact

Stainless steel

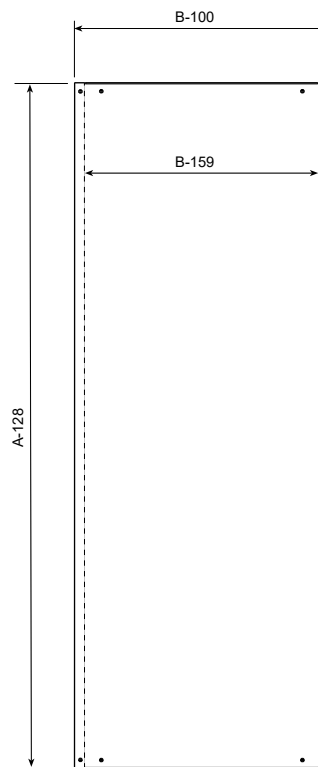
Front



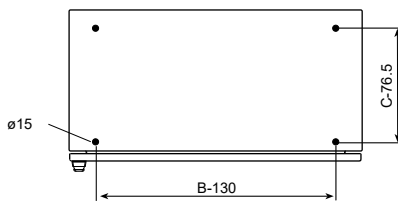
Side section



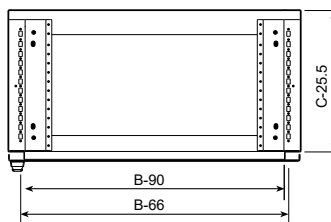
Mounting plate



Ground plan



Ground plan section



* For B= 600 change to B-150
B-170

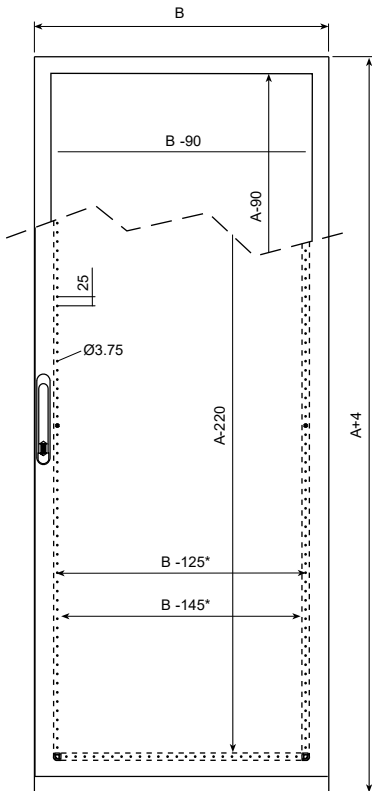
ARGENTA PLUS COMPACT (BIG)

IP55-IP65 steel floor-standing compact cabinets

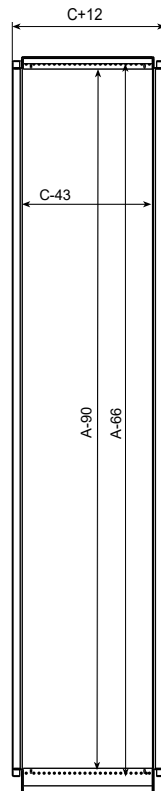
Dimensions: Argenta Plus compact

Single door

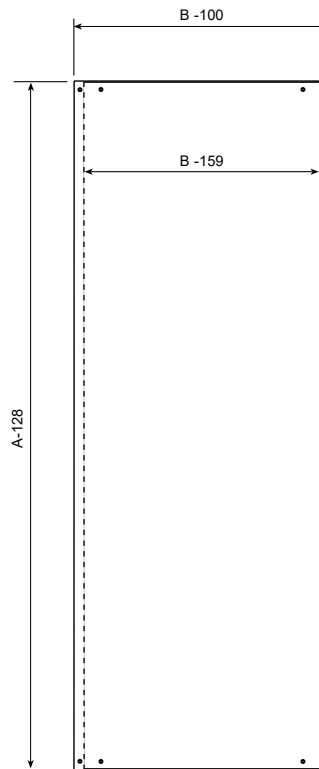
Front



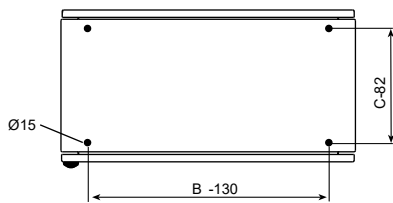
Side section



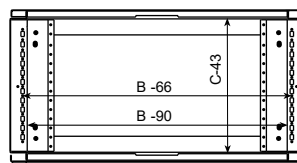
Mounting plate



Ground plan



Ground plan section



* For B=600 change to B-150
B-170

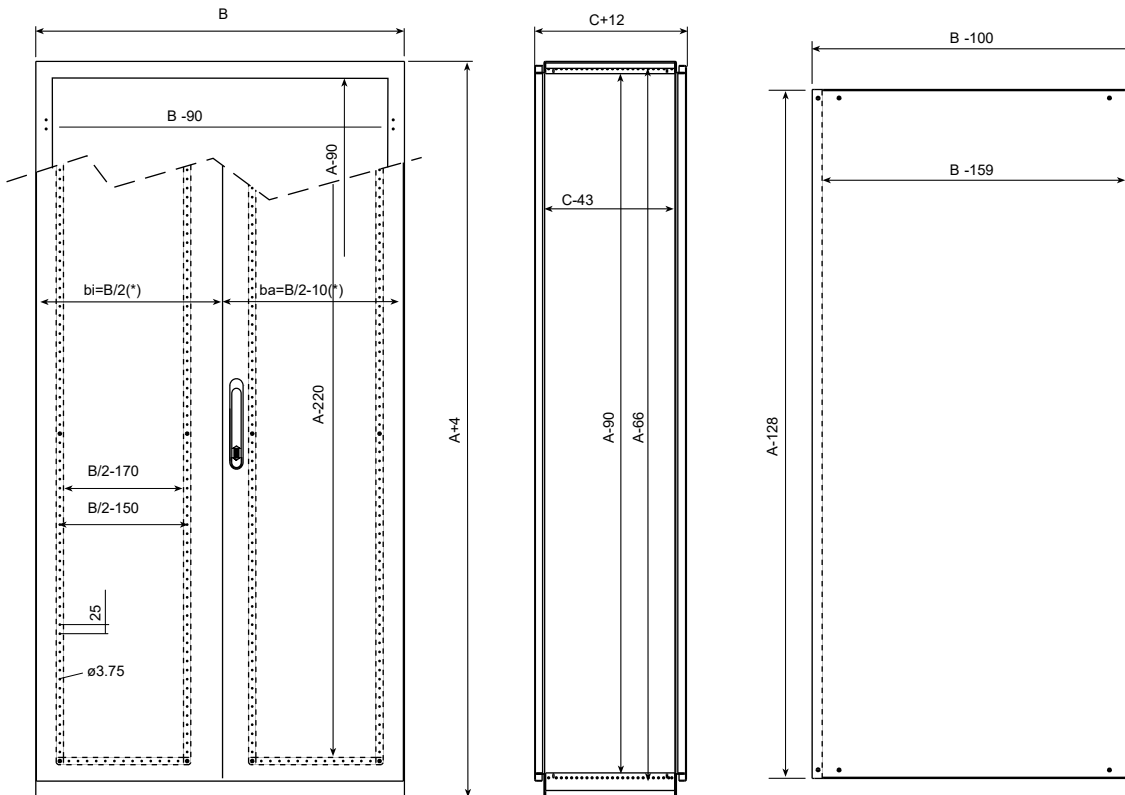
Dimensions: Argenta Plus compact

Double door

Front

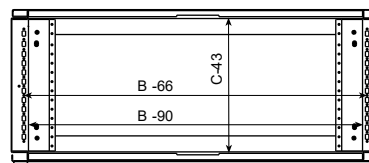
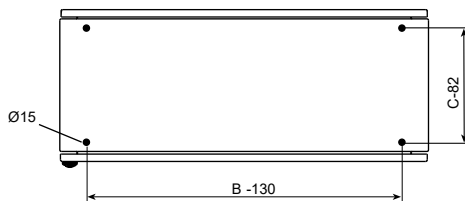
Side section

Mounting plate



Ground plan

Ground plan section



(*) For asymmetrical doors, B=1000, bi=400, ba=590
B=1200, bi=400, ba=790

ARGENTA PLUS SEMI-COMPACT (FSC)

IP55-IP65 steel floor-standing semi-compact cabinets



* Plinth supplied as accessory.

Product series

- Opaque and transparent door cabinets without mounting plate.
- Single door up to width of 1000 mm.
- Double door as of width of 1000 mm.
- Height: 1650 - 1800 - 2000 mm.
- Width: 600 - 800 - 1000 - 1200 - 1600 mm.
- Depth: 400 - 500 mm.

Supply

Supplied on pallets, protected with honeycomb cardboard corner pieces and shrink-wrap film. The plate can be supplied assembled on request.

- 2 lifting eyebolts fitted.
- Key.
- Assembly instructions.

Professional solutions for projects in engineering, robotics, automation, etc.

Material

- Cold-rolled steel EN 10130+A1.
- Injected polyurethane sealing gasket.

Finish

- Coated with primer, and hardened polyester RAL 7035 paint, embossed, with UV protection.

Protection

- Corrosion resistance according to the UNE-EN 62208 standard. For outdoor installations, the effect of the corrosion must be taken into consideration.

Standard painting cycle

- **Degreasing:** Removal of remains of contaminants by means of a neutral stripper and tensoactive concentrate.
- **Rinsing:** Two rinses, the first one with mains water and the second one with demineralised water.
- **Passivation:** Thin-coat conversion agent.
- **Drying:** With hot air (in a tunnel at 100 °C).
- **Primer painting:** Application of a first layer of antioxidant protection primer paint.
- **First firing:** Furnace polymerisation adherence at 170 °C for 10 min.
- **Painting:** Coated with hardened RAL 7035 polyester paint.
- **Firing:** Furnace polymerisation adherence at 180 °C for 15-20 min.



Enclosure

Single and symmetrical enclosure comprised of:

- Closed sides made of 1.5-mm thick sheet.
- Exterior profiles with a tubular structure that affords the unit great solidity.
- Metal parts welded internally to the cabinet structure to guarantee maximum rigidity and yield strength.
- Covered with 14x9 square cut-outs for caged nuts and round cut-outs with a diameter of 4.65 for machined screws. Distance between cut-outs is 25 mm.

Rear panels

- Made from sheet with a thickness of 1.5 mm.
- Sealing gasket to guarantee IP55/IP65 protection.
- M6 countersunk screws for attachment.
- Reversible and replaceable with a door (as accessory).

Top cover

- Made from sheet with a thickness of 1.5 mm.
- Sealing gasket to guarantee IP55/IP65 protection.
- M12 bolts for placement.
- Supplied with two lifting eyebolts fitted.
- Includes M8 bolts for earthing.

Cable entry

- Cable entry covers with adjustable opening, manufactured in galvanised steel with a thickness of 1.2 mm.
- Covers of 100 mm and 200 mm depending on cabinet depth.
- Brush protection gasket (as accessory).

Insulation kit

- The 48690 insulation kit should be ordered to achieve IP65 protection.

Door

- Possibility of opaque or transparent door with 120° reversible opening.
- 2-mm thick opaque door.
- 4-mm thick tempered transparent glass door.
- Four hidden and detachable hinges made of reinforced zamak.
- Double door as of width of 1000 mm:
Opaque door 1000 mm: PO500+PO500.
Opaque door 1200 mm: PO600+PO600.
Transparent door 1000 mm: PT600+PO400.
Transparent door 1200 mm: PT800+PO400.
- Sealing gasket to guarantee the IP protection.
- Reinforcement profiles with cut-out holes with separation of 25 mm for fitting accessories.
- Possibility of fitting an inside door in cabinets up to a width of 1000 mm (as accessory).

Locks

- Single door: 4-point lock, double-bit insert with retractable handle in RAL 7016 grey.
- Double door: Double lock; Interior: 2-point ¼ turn. Exterior: double-bit insert with retractable handle in RAL 7016 grey.
- Other types of locks supplied as accessories.

Mounting plate

- Made from galvanised sheet steel with a thickness of 3 mm, reinforced with C-shaped folds.
- It includes the 4 depth-adjustable supports for fitting.
- Plates supplied as accessory.



ARGENTA PLUS SEMI-COMPACT (FSC)

IP55-IP65 steel floor-standing semi-compact cabinets

Single-door cabinets without mounting plate. Rolled steel. IP65* semi-compact

| Reference No. | Dimensions (AXBXC) | Door | | Cable entry | Glass door with transp. panel | | Power dissipation according to temperature increase °C P(W)** | | | | | |
|------------------|-----------------------|--------|--------|-------------|-------------------------------|----------------|---------------------------------------------------------------|-------|-------|-------|--------|--------|
| | | OPAQUE | TRANS. | | WIDTH X DEPTH | HEIGHT X WIDTH | PO | PT | 20 | 25 | 30 | 35 |
| FSC1656040PO/SP | 1650x600x400 | PO | PT | 370x310 | 1436x430 | 79.0 | 75.8 | 320.1 | 400.1 | 480.2 | 560.2 | 640.2 |
| FSC1658040PO/SP | 1650x800x400 | PO | PT | 570x310 | 1436x630 | 92.4 | 89.4 | 383.2 | 479.1 | 574.9 | 670.7 | 766.5 |
| FSC1658050PO/SP | 1650x800x500 | PO | PT | 570x410 | 1436x630 | 98.9 | 95.8 | 428.2 | 535.3 | 642.3 | 749.4 | 856.5 |
| FSC16510040PO/SP | 1650x1000x400 | PO | - | 770x310 | - | 109.9 | - | 446.4 | 558.0 | 669.6 | 781.2 | 892.8 |
| FSC16510050PO/SP | 1650x1000x500 | PO | - | 770x410 | - | 117.0 | - | 494.5 | 618.1 | 741.7 | 865.3 | 988.9 |
| FSC1806040PO/SP | 1800x600x400 | PO | PT | 370x310 | 1586x430 | 84.3 | 80.5 | 345.8 | 432.3 | 518.8 | 605.2 | 691.7 |
| FSC1808040PO/SP | 1800x800x400 | PO | PT | 570x310 | 1586x630 | 98.6 | 94.5 | 413.6 | 517.0 | 620.4 | 723.8 | 827.2 |
| FSC1808050PO/SP | 1800x800x500 | PO | PT | 570x410 | 1586x630 | 107.1 | 101.3 | 461.6 | 577.0 | 692.3 | 807.7 | 923.1 |
| FSC18010040PO/SP | 1800x1000x400 | PO | - | 770x310 | - | 116.8 | - | 481.4 | 601.7 | 722.0 | 842.4 | 962.7 |
| FSC18010050PO/SP | 1800x1000x500 | PO | - | 770x410 | - | 123.6 | - | 532.4 | 665.5 | 798.6 | 931.7 | 1064.8 |
| FSC2006040PO/SP | 2000x600x400 | PO | PT | 370x310 | 1786x430 | 93.0 | 86.9 | 380.2 | 475.2 | 570.2 | 665.3 | 760.3 |
| FSC2008040PO/SP | 2000x800x400 | PO | PT | 570x310 | 1786x630 | 106.5 | 103.4 | 454.1 | 567.6 | 681.1 | 794.6 | 908.2 |
| FSC2008050PO/SP | 2000x800x500 | PO | PT | 570x410 | 1786x630 | 113.8 | 110.8 | 506.0 | 632.5 | 759.0 | 885.5 | 1012.0 |
| FSC20010040PO/SP | 2000x1000x400 | PO | - | 770x310 | - | 125.9 | - | 528.0 | 660.0 | 792.0 | 924.0 | 1056.0 |
| FSC20010050PO/SP | 2000x1000x500 | PO | - | 770x410 | - | 133.8 | - | 583.0 | 728.8 | 874.5 | 1020.3 | 1166.0 |

Double-door cabinets without mounting plate. Rolled steel. IP55 semi-compact

| Reference No. | Dimensions (AXBXC) | Door | | Cable entry | Glass door with transp. panel | | Power dissipation according to temperature increase °C P(W)** | | | | | |
|------------------|-----------------------|--------|--------|-------------|-------------------------------|----------------|---------------------------------------------------------------|-------|--------|--------|--------|--------|
| | | OPAQUE | TRANS. | | WIDTH X DEPTH | HEIGHT X WIDTH | PO | PT | 20 | 25 | 30 | 35 |
| FSC16510040PO/DC | 1650x1000x400 | PO | PT | 770x310 | 1436x430 | 114.5 | 118.6 | 446.4 | 558.0 | 669.6 | 781.2 | 892.8 |
| FSC16510050PO/DC | 1650x1000x500 | PO | PT | 770x410 | 1436x430 | 121.5 | 125.7 | 494.5 | 618.1 | 741.7 | 865.3 | 988.9 |
| FSC16512040PO/DC | 1650x1200x400 | PO | PT | 970x310 | 1436x630 | 130.0 | 122.9 | 509.5 | 636.9 | 764.3 | 891.7 | 1019.0 |
| FSC18010040PO/DC | 1800x1000x400 | PO | PT | 770x310 | 1586x430 | 121.9 | 128.5 | 481.4 | 601.7 | 722.0 | 842.4 | 962.7 |
| FSC18010050PO/DC | 1800x1000x500 | PO | PT | 770x410 | 1586x430 | 128.7 | 135.3 | 532.4 | 665.5 | 798.6 | 931.7 | 1064.8 |
| FSC18012040PO/DC | 1800x1200x400 | PO | PT | 970x310 | 1586x630 | 138.5 | 145.4 | 549.1 | 686.4 | 823.7 | 961.0 | 1098.2 |
| FSC18012050PO/DC | 1800x1200x500 | PO | PT | 970x410 | 1586x630 | 146.3 | 153.3 | 603.2 | 754.1 | 904.9 | 1055.7 | 1206.5 |
| FSC18016040PO/DC | 1800x1600x400 | PO | - | 1370x310 | - | 174.6 | - | 684.6 | 855.8 | 1027.0 | 1198.1 | 1369.3 |
| FSC18016050PO/DC | 1800x1600x500 | PO | - | 1370x410 | - | 183.9 | - | 744.9 | 931.2 | 1117.4 | 1303.6 | 1489.8 |
| FSC20010040PO/DC | 2000x1000x400 | PO | PT | 770x310 | 1786x430 | 129.1 | 136.1 | 528.0 | 660.0 | 792.0 | 924.0 | 1056.0 |
| FSC20010050PO/DC | 2000x1000x500 | PO | PT | 770x410 | 1786x430 | 137.0 | 144.0 | 583.0 | 728.8 | 874.5 | 1020.3 | 1166.0 |
| FSC20012040PO/DC | 2000x1200x400 | PO | PT | 970x310 | 1786x630 | 149.1 | 158.9 | 601.9 | 752.4 | 902.9 | 1053.4 | 1203.8 |
| FSC20012050PO/DC | 2000x1200x500 | PO | PT | 970x410 | 1786x630 | 156.8 | 166.6 | 660.0 | 825.0 | 990.0 | 1155.0 | 1320.0 |
| FSC20016040PO/DC | 2000x1600x400 | PO | - | 1370x310 | - | 188.2 | - | 749.8 | 937.2 | 1124.6 | 1312.1 | 1499.5 |
| FSC20016050PO/DC | 2000x1600x500 | PO | - | 1370x410 | - | 197.6 | - | 814.0 | 1017.5 | 1221.0 | 1424.5 | 1628.0 |

Single-door cabinets: IP65 / NEMA 1, 4, 12.

Double-door cabinets: IP55 / NEMA 1, 12.

Cold rolled steel primed and painted RAL 7035.

Eyebolts and cable entry lids included. Supplied without mounting plate.

For cabinets with transparent door replace PO with PT. E.g: FSC18010040PT/SP.

Asymmetrical transparent double doors:

Cabinets with a width of 1000: PT600 + PO400 / Cabinets with a width of 1200: PT800 + PO400.

For special cabinets, check availability of UL certificate.

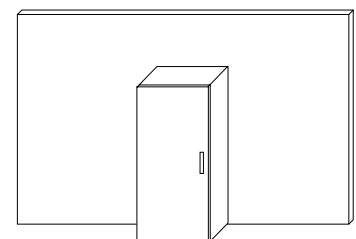
VDE Certificate available for single-door cabinets.

* The 48690 insulation kit should be ordered to achieve IP65 protection.

** Calculations obtained according to the CEI 890:1997 standard + Corrigendum 1998; "Method of temperature-rise assessment by extrapolation for partially type-tested assemblies (PTTA) of low-voltage switchgear and control gear".

SEE DIMENSIONS ON PAGES 124-125.

SEE ACCESSORIES ON PAGE 138.



Insulation kit



Reference No. Description

48690 Insulation kit for cable entry lids

Needed to achieve IP65 protection in FSC-type semi-compact cabinets.

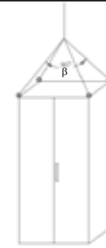


Maximum lifting loads

Maximum load declared according to the number of lifting eyebolts and the angle of the chain:

| 4 EYEBOLTS | | 2 EYEBOLTS | |
|-----------------------|-----------------------------------|-----------------------|-----------------------------------|
| $\beta \leq 90^\circ$ | $90^\circ < \beta \leq 120^\circ$ | $\beta \leq 90^\circ$ | $90^\circ < \beta \leq 120^\circ$ |
| 1250 kg | 720 kg | 625 kg | 360 kg |

It is not recommended to lift the cabinet when the angle between chains is greater than 120° . The weight must be evenly distributed.



Semi-compact
opaque door cabinet



Semi-compact
opaque double door cabinet



Semi-compact
transparent door cabinet



Semi-compact
transparent double door cabinet

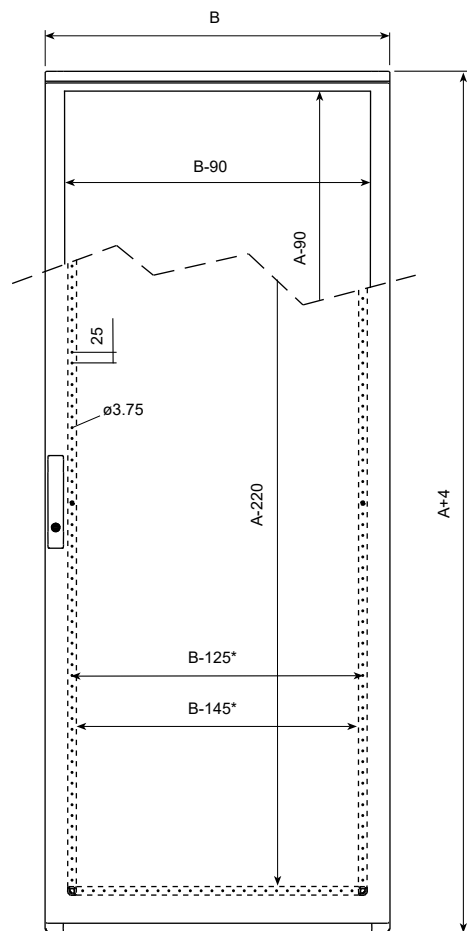
ARGENTA PLUS SEMI-COMPACT (FSC)

IP55-IP65 steel floor-standing semi-compact cabinets

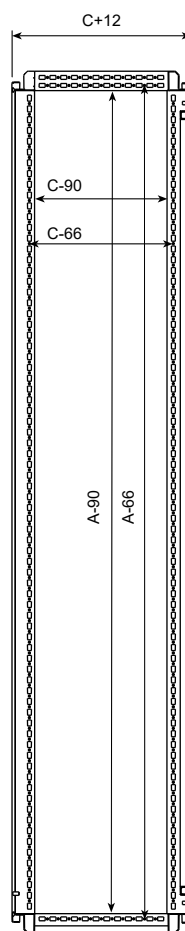
Dimensions: Argenta Plus semi-compact

Single door

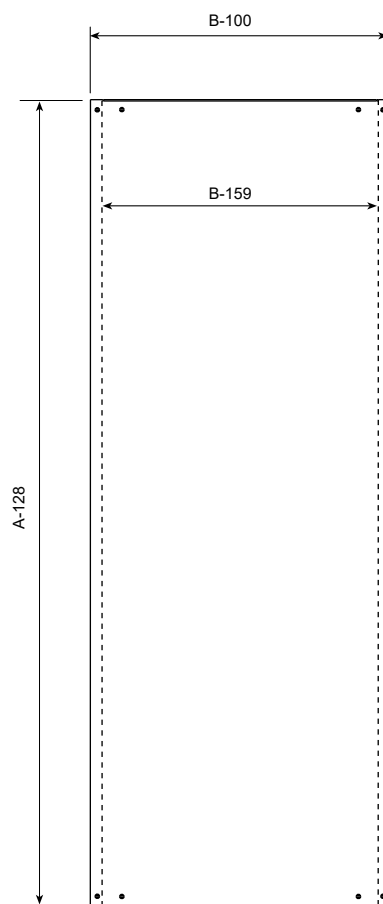
Front



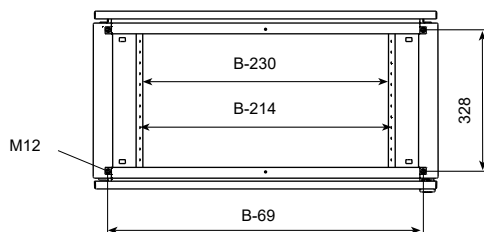
Side section



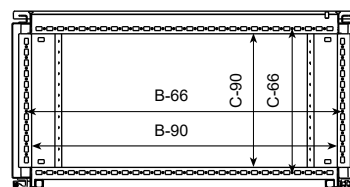
Mounting plate



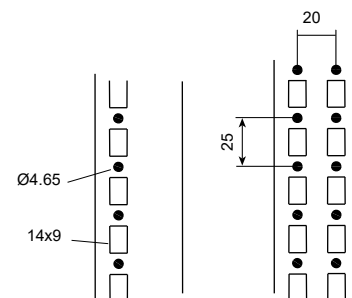
Ground plan



Ground plan section



Profile



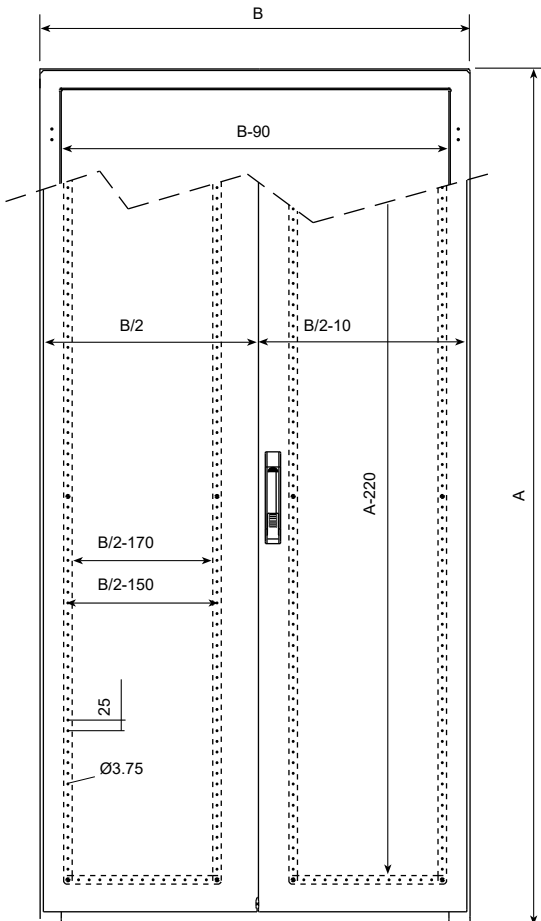
* For B=600, change to B-150
B-170



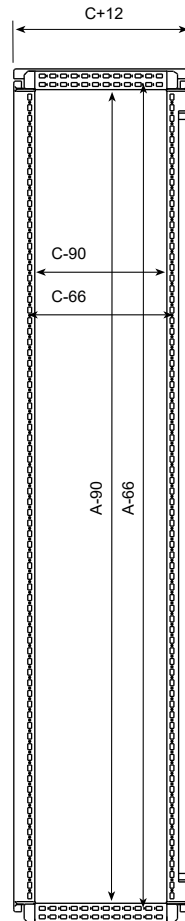
Dimensions: Argenta Plus semi-compact

Double door

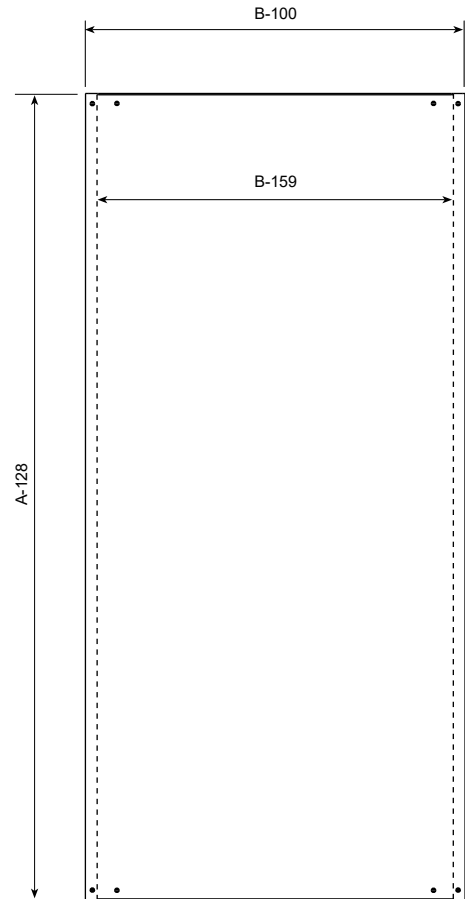
Front



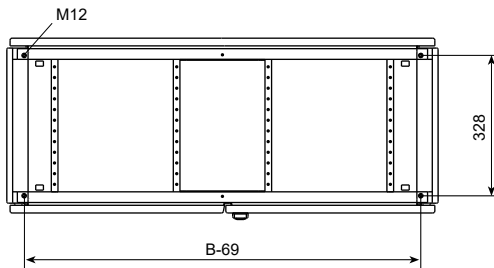
Side section



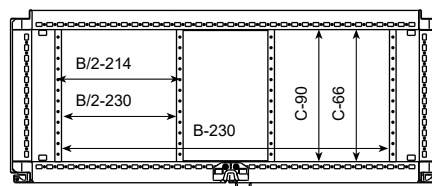
Mounting plate



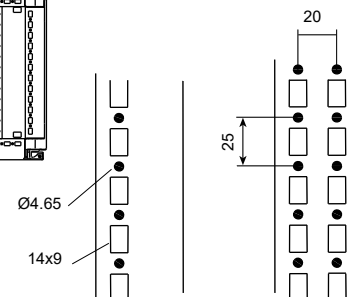
Ground plan



Ground plan section



Profile



ARGENTA PLUS COMBINABLE (ENL)

IP55 steel floor-standing combinable cabinets



* Plinth supplied as accessory.

Product series

- Opaque and transparent door cabinets without mounting plate.
- Single door up to width of 1000 mm.
- Double door as of width of 1000 mm.
- Height: 1650 - 1800 - 2000 - 2200 mm.
- Width: 600 - 800 - 1000 - 1200 - 1600 mm.
- Depth: 400 - 500 - 600 - 800 - 1000 mm.

Supply

Assembled

- Supplied on pallets, protected with honeycomb cardboard corner pieces and shrink-wrap film.
- The plate and the side panels (if ordered) are supplied attached to the outside of the cabinet on the same pallet.
- Including: 2 lifting eyebolts fitted, key and assembly instructions.

Packs

- 5 packs to optimize the handling and transport of these big size cabinets. (See references on page 130-132).

Different joining possibilities in order to achieve large-sized structures

Material

- Cold-rolled steel EN 10130+A1.
- Injected polyurethane sealing gasket.

Finish

- Coated with primer, and hardened polyester RAL 7035 paint, embossed, with UV protection.

Protection

- Corrosion resistance according to the UNE-EN 62208 standard. For outdoor installations, the effect of the corrosion must be taken into consideration.

Standard painting cycle

- **Degreasing:** Removal of remains of contaminants by means of a neutral stripper and tensoactive concentrate.
- **Rinsing:** Two rinses, the first one with mains water and the second one with demineralised water.
- **Passivation:** Thin-coat conversion agent.
- **Drying:** With hot air (in a tunnel at 100 °C).
- **Primer painting:** Application of a first layer of antioxidant protection primer paint.
- **First firing:** Furnace polymerisation adherence at 170 °C for 10 min.
- **Painting:** Coated with hardened RAL 7035 polyester paint.
- **Firing:** Furnace polymerisation adherence at 180 °C for 15-20 min.



Enclosure

- Tubular structure that affords the unit great solidity.
- Insides with square and round cut-outs for fitting accessories. Distance between cut-outs is 25 mm.
- Flat outsides with cut-outs for fixing doors and panels.
- Profiles with parts welded internally to guarantee maximum rigidity and yield strength.
- Reversible in all directions.

Side panels - Rear panel

- Made from sheet with a thickness of 1.5 mm.
- Sealing gasket to guarantee IP55 protection.
- M6 countersunk screws for attachment.
- Side panels: Supplied as an accessory to facilitate cabinet combination.
- Rear panel: Reversible and replaceable with a door (door supplied as accessory).

Top cover

- Made from sheet with a thickness of 1.5 mm.
- Sealing gasket to guarantee IP55 protection.
- M12 bolts for placement.
- Supplied with two lifting eyebolts fitted.
- Includes M8 bolts for earthing.

Cable entry

- Cable entry covers with adjustable opening, manufactured in galvanised steel with a thickness of 1.2 mm.
- Covers of 100 mm and 200 mm depending on cabinet depth.
- Brush protection gasket (as accessory).

Door

- Possibility of opaque or transparent door with 120° reversible opening.
- 2-mm thick opaque door.
- 4-mm thick tempered transparent glass door.
- Four hidden and detachable hinges made of reinforced zamak.
- Double door as of width of 1000 mm:
 - Opaque door 1000 mm: PO500+PO500.
 - Opaque door 1200 mm: PO600+PO600.
 - Opaque door 1600 mm: PO800+PO800.
 - Transparent door 1000 mm: PT600+PO400.
 - Transparent door 1200 mm: PT800+PO400.
- Sealing gasket to guarantee IP55 protection.
- Reinforcement profiles with cut-out holes with separation of 25 mm for fitting accessories.
- Possibility of fitting an inside door in cabinets up to a width of 800 mm (as accessory).

Locks

- Single door: 4-point lock, double-bit insert with retractable handle in RAL 7016 grey.
- Double door: Double lock; Interior: 2-point ¼ turn. Exterior: double-bit insert with retractable handle in RAL 7016 grey.
- Other types of locks supplied as accessories.

Mounting plate

- Made from galvanised sheet steel with a thickness of 3 mm, reinforced with C-shaped folds.
- It includes the 4 depth-adjustable supports required for fitting.
- Plates supplied as accessory.



ARGENTA PLUS COMBINABLE (ENL)

IP55 steel floor-standing combinable cabinets

Single-door cabinets without mounting plate. Rolled steel. IP55 Combinable. Assembled

| Reference No. | Dimensions (AXBXC) | Door | | Cable entry WIDTH X DEPTH | Glass door with transparent panel HEIGHT X WIDTH | Weight | | Power dissipation according to temperature increase °C P(W)* | | | | |
|------------------|-----------------------|--------|--------|------------------------------|-----------------------------------------------------------|--------|-------|-----------------------------------------------------------------|--------|--------|--------|--------|
| | | OPAQUE | TRANS. | | | PO | PT | 20 | 25 | 30 | 35 | 40 |
| ENL1656050PO/SP | 1650x600x500 | PO | PT | 370x410 | 1436x430 | 72.7 | 69.4 | 362.0 | 452.5 | 543.0 | 633.5 | 724.0 |
| ENL1656060PO/SP | 1650x600x600 | PO | PT | 370x510 | 1436x430 | 74.9 | 71.6 | 403.9 | 504.9 | 605.9 | 706.9 | 807.8 |
| ENL1658050PO/SP | 1650x800x500 | PO | PT | 570x410 | 1436x630 | 86.3 | 81.5 | 428.2 | 535.3 | 642.3 | 749.4 | 856.5 |
| ENL1658060PO/SP | 1650x800x600 | PO | PT | 570x510 | 1436x630 | 88.9 | 84.1 | 473.2 | 591.5 | 709.8 | 828.1 | 946.4 |
| ENL16510050PO/SP | 1650x1000x500 | PO | - | 770x410 | - | 104.8 | - | 494.5 | 618.1 | 741.7 | 865.3 | 988.9 |
| ENL16510060PO/SP | 1650x1000x600 | PO | - | 770x510 | - | 108.0 | - | 542.5 | 678.2 | 813.8 | 949.4 | 1085.0 |
| ENL1806040PO/SP | 1800x600x400 | PO | PT | 370x310 | 1586x430 | 74.4 | 70.6 | 345.8 | 432.3 | 518.8 | 605.2 | 691.7 |
| ENL1806050PO/SP | 1800x600x500 | PO | PT | 370x410 | 1586x430 | 76.8 | 73.0 | 390.7 | 488.4 | 586.1 | 683.8 | 781.4 |
| ENL1806060PO/SP | 1800x600x600 | PO | PT | 370x510 | 1586x430 | 79.0 | 75.2 | 435.6 | 544.5 | 653.4 | 762.3 | 871.2 |
| ENL1808040PO/SP | 1800x800x400 | PO | PT | 570x310 | 1586x630 | 88.4 | 82.7 | 413.6 | 517.0 | 620.4 | 723.8 | 827.2 |
| ENL1808050PO/SP | 1800x800x500 | PO | PT | 570x410 | 1586x630 | 91.3 | 85.5 | 461.6 | 577.0 | 692.3 | 807.7 | 923.1 |
| ENL1808060PO/SP | 1800x800x600 | PO | PT | 570x510 | 1586x630 | 93.9 | 88.2 | 509.5 | 636.9 | 764.3 | 891.7 | 1019.0 |
| ENL18010040PO/SP | 1800x1000x400 | PO | - | 770x310 | - | 107.3 | - | 481.4 | 601.7 | 722.0 | 842.4 | 962.7 |
| ENL18010050PO/SP | 1800x1000x500 | PO | - | 770x410 | - | 110.8 | - | 532.4 | 665.5 | 798.6 | 931.7 | 1064.8 |
| ENL18010060PO/SP | 1800x1000x600 | PO | - | 770x510 | - | 114.0 | - | 583.4 | 729.3 | 875.2 | 1021.0 | 1166.9 |
| ENL2006040PO/SP | 2000x600x400 | PO | PT | 370x310 | 1786x430 | 79.5 | 75.3 | 380.2 | 475.2 | 570.2 | 665.3 | 760.3 |
| ENL2006050PO/SP | 2000x600x500 | PO | PT | 370x410 | 1786x430 | 81.9 | 77.7 | 429.0 | 536.3 | 643.5 | 750.8 | 858.0 |
| ENL2006060PO/SP | 2000x600x600 | PO | PT | 370x510 | 1786x430 | 84.1 | 79.9 | 477.8 | 597.3 | 716.8 | 836.2 | 955.7 |
| ENL2006080PO/SP | 2000x600x800 | PO | PT | 370x710 | 1786x430 | 88.5 | 84.4 | 575.5 | 719.4 | 863.3 | 1007.2 | 1151.0 |
| ENL20060100PO/SP | 2000x600x1000 | PO | PT | 370x910 | 1786x430 | 93.3 | 89.2 | 673.2 | 841.5 | 1009.8 | 1178.1 | 1346.4 |
| ENL2008040PO/SP | 2000x800x400 | PO | PT | 570x310 | 1786x630 | 94.6 | 89.9 | 454.1 | 567.6 | 681.1 | 794.6 | 908.2 |
| ENL2008050PO/SP | 2000x800x500 | PO | PT | 570x410 | 1786x630 | 97.5 | 92.8 | 506.0 | 632.5 | 759.0 | 885.5 | 1012.0 |
| ENL2008060PO/SP | 2000x800x600 | PO | PT | 570x510 | 1786x630 | 100.1 | 95.4 | 557.9 | 697.4 | 836.9 | 976.4 | 1115.8 |
| ENL2008080PO/SP | 2000x800x800 | PO | PT | 570x710 | 1786x630 | 105.5 | 100.8 | 661.8 | 827.2 | 992.6 | 1158.1 | 1323.5 |
| ENL20080100PO/SP | 2000x800x1000 | PO | PT | 570x910 | 1786x630 | 111.2 | 106.5 | 765.6 | 957.0 | 1148.4 | 1339.8 | 1531.2 |
| ENL20010040PO/SP | 2000x1000x400 | PO | - | 770x310 | - | 114.6 | - | 528.0 | 660.0 | 792.0 | 924.0 | 1056.0 |
| ENL20010050PO/SP | 2000x1000x500 | PO | - | 770x410 | - | 118.1 | - | 583.0 | 728.8 | 874.5 | 1020.3 | 1166.0 |
| ENL20010060PO/SP | 2000x1000x600 | PO | - | 770x510 | - | 121.3 | - | 638.0 | 797.5 | 957.0 | 1116.5 | 1276.0 |
| ENL20010080PO/SP | 2000x1000x800 | PO | - | 770x710 | - | 127.8 | - | 748.0 | 935.0 | 1122.0 | 1309.0 | 1496.0 |
| ENL2206060PO/SP | 2200x600x600 | PO | - | 370x510 | - | 90.2 | - | 520.1 | 650.1 | 780.1 | 910.1 | 1040.2 |
| ENL22060100PO/SP | 2200x600x1000 | PO | PT | 370x910 | 1986x430 | 99.4 | 94.8 | 731.3 | 914.1 | 1096.9 | 1279.7 | 1462.6 |
| ENL2208060PO/SP | 2200x800x600 | PO | PT | 570x510 | 1986x630 | 107.4 | 99.5 | 606.3 | 757.9 | 909.5 | 1061.1 | 1212.6 |
| ENL2208080PO/SP | 2200x800x800 | PO | PT | 570x710 | 1986x630 | 112.8 | 104.9 | 718.1 | 897.6 | 1077.1 | 1256.6 | 1436.2 |
| ENL22080100PO/SP | 2200x800x1000 | PO | PT | 570x910 | 1986x630 | 118.5 | 110.6 | 829.8 | 1037.3 | 1244.8 | 1452.2 | 1659.7 |

IP55 / NEMA 1, 12.

Cold rolled steel primed and painted RAL 7035.

Eyebolts and cable entry lids included.

Supplied without mounting plates or side panels.

Cabinets with a height of 2200 mm do not have UL certificate.

For special cabinets, check availability of UL certificate.

VDE Certificate available for single-door cabinets.

For cabinets with transparent door replace PO with PT.
E.g: ENL1801004PT/SP.

SEE DIMENSIONS ON [PAGE 134](#).

SEE ACCESSORIES ON [PAGE 138](#).

Side panels



| Reference No. | Dimensions | | Sheet thickness |
|---------------|------------|-------|-----------------|
| | HEIGHT | DEPTH | |
| PLA16550 | 1650 | 500 | 1.5 |
| PLA16560 | 1650 | 600 | 1.5 |
| PLA18040 | 1800 | 400 | 1.5 |
| PLA18050 | 1800 | 500 | 1.5 |
| PLA18060 | 1800 | 600 | 1.5 |
| PLA20040 | 2000 | 400 | 1.5 |
| PLA20050 | 2000 | 500 | 1.5 |
| PLA20060 | 2000 | 600 | 1.5 |
| PLA20080 | 2000 | 800 | 1.5 |
| PLA200100 | 2000 | 1000 | 1.5 |
| PLA22060 | 2200 | 600 | 1.5 |
| PLA22080 | 2200 | 800 | 1.5 |
| PLA220100 | 2200 | 1000 | 1.5 |

MATERIAL: Cold rolled steel primed and painted RAL 7035. Thickness: 1.5 mm.

SUPPLY: 2-panels pack.



Double-door cabinets without mounting plate. **Rolled steel. IP55 Combinable. Assembled**

| Reference No. | Dimensions (AXBXC) | Door | | Cable entry | Glass door with transparent panel | | Weight | Power dissipation according to temperature increase °C P(W)* | | | | |
|------------------|--------------------|--------|--------|-------------|-----------------------------------|----------------|--------|--------------------------------------------------------------|--------|--------|--------|--------|
| | | OPAQUE | TRANS. | | WIDTH X DEPTH | HEIGHT X WIDTH | | PO | PT | 20 | 25 | 30 |
| ENL16510050PO/DC | 1650x1000x500 | PO | PT | 770x410 | 1436x420 | 109.4 | 113.2 | 494.5 | 618.1 | 741.7 | 865.3 | 988.9 |
| ENL16510060PO/DC | 1650x1000x600 | PO | PT | 770x510 | 1436x420 | 112.7 | 116.4 | 542.5 | 678.2 | 813.8 | 949.4 | 1085.0 |
| ENL16512050PO/DC | 1650x1200x500 | PO | PT | 970x410 | 1436x620 | 124.9 | 117.8 | 560.7 | 700.8 | 841.0 | 981.2 | 1121.3 |
| ENL16512060PO/DC | 1650x1200x600 | PO | PT | 970x510 | 1436x620 | 128.5 | 121.3 | 611.8 | 764.8 | 917.7 | 1070.7 | 1223.6 |
| ENL18010040PO/DC | 1800x1000x400 | PO | PT | 770x310 | 1586x420 | 112.4 | 116.3 | 481.4 | 601.7 | 722.0 | 842.4 | 962.7 |
| ENL18010050PO/DC | 1800x1000x500 | PO | PT | 770x410 | 1586x420 | 115.8 | 119.8 | 532.4 | 665.5 | 798.6 | 931.7 | 1064.8 |
| ENL18010060PO/DC | 1800x1000x600 | PO | PT | 770x510 | 1586x420 | 119.1 | 123.0 | 583.4 | 729.3 | 875.2 | 1021.0 | 1166.9 |
| ENL18012040PO/DC | 1800x1200x400 | PO | PT | 970x310 | 1586x620 | 128.3 | 135.3 | 549.1 | 686.4 | 823.7 | 961.0 | 1098.2 |
| ENL18012050PO/DC | 1800x1200x500 | PO | PT | 970x410 | 1586x620 | 132.2 | 139.2 | 603.2 | 754.1 | 904.9 | 1055.7 | 1206.5 |
| ENL18012060PO/DC | 1800x1200x600 | PO | PT | 970x510 | 1586x620 | 135.9 | 142.9 | 657.4 | 821.7 | 986.0 | 1150.4 | 1314.7 |
| ENL18016040PO/DC | 1800x1600x400 | PO | - | 1370x310 | - | 167.6 | - | 684.6 | 855.8 | 1027.0 | 1198.1 | 1369.3 |
| ENL18016050PO/DC | 1800x1600x500 | PO | - | 1370x410 | - | 172.9 | - | 744.9 | 931.2 | 1117.4 | 1303.6 | 1489.8 |
| ENL20010040PO/DC | 2000x1000x400 | PO | PT | 770x310 | 1786x420 | 120.2 | 124.9 | 528.0 | 660.0 | 792.0 | 924.0 | 1056.0 |
| ENL20010050PO/DC | 2000x1000x500 | PO | PT | 770x410 | 1786x420 | 123.4 | 128.3 | 583.0 | 728.8 | 874.5 | 1020.3 | 1166.0 |
| ENL20010060PO/DC | 2000x1000x600 | PO | PT | 770x510 | 1786x420 | 126.8 | 131.5 | 638.0 | 797.5 | 957.0 | 1116.5 | 1276.0 |
| ENL20010080PO/DC | 2000x1000x800 | PO | PT | 770x710 | 1786x420 | 133.2 | 138.1 | 748.0 | 935.0 | 1122.0 | 1309.0 | 1496.0 |
| ENL20012040PO/DC | 2000x1200x400 | PO | PT | 970x310 | 1786x620 | 137.2 | 147.0 | 601.9 | 752.4 | 902.9 | 1053.4 | 1203.8 |
| ENL20012050PO/DC | 2000x1200x500 | PO | PT | 970x410 | 1786x620 | 141.1 | 150.9 | 660.0 | 825.0 | 990.0 | 1155.0 | 1320.0 |
| ENL20012060PO/DC | 2000x1200x600 | PO | PT | 970x510 | 1786x620 | 144.8 | 154.6 | 718.1 | 897.6 | 1077.1 | 1256.6 | 1436.2 |
| ENL20012080PO/DC | 2000x1200x800 | PO | PT | 970x710 | 1786x620 | 152.2 | 162.0 | 834.2 | 1042.8 | 1251.4 | 1459.9 | 1668.5 |
| ENL20016040PO/DC | 2000x1600x400 | PO | - | 1370x310 | - | 179.4 | - | 749.8 | 937.2 | 1124.6 | 1312.1 | 1499.5 |
| ENL20016050PO/DC | 2000x1600x500 | PO | - | 1370x410 | - | 184.7 | - | 814.0 | 1017.5 | 1221.0 | 1424.5 | 1628.0 |
| ENL20016060PO/DC | 2000x1600x600 | PO | - | 1370x510 | - | 190.3 | - | 879.2 | 1097.8 | 1317.4 | 1536.9 | 1756.5 |
| ENL20016080PO/DC | 2000x1600x800 | PO | - | 1370x510 | - | 200.1 | - | 1006.7 | 1258.4 | 1510.1 | 1761.8 | 2013.4 |

IP55 / NEMA 1,12.

Cold rolled steel primed and painted RAL 7035.

Eyebolts and cable entry lids included. Supplied without mounting plates or side panels.

For cabinets with transparent door replace PO with PT. E.g: ENL18010040PT/DC.

Asymmetrical transparent double doors:

Cabinets with a width of 1000: PT600 + PO400 / Cabinets with a width of 1200: PT800 + PO400.

For special cabinets, check availability of UL certificate.

VDE Certificate available for single-door cabinets.

* Calculations obtained according to the CEI 890:1997 standard + Corrigendum 1998; "Method of temperature-rise assessment by extrapolation for partially type-tested assemblies (PTTA) of low-voltage switchgear and control gear".

SEE DIMENSIONS ON [PAGE 135](#).

SEE ACCESSORIES ON [PAGE 138](#).

Maximum lifting loads

Maximum load declared according to the number of lifting eyebolts and the angle of the chain:

| 4 EYEBOLTS | | 2 EYEBOLTS | |
|-----------------------|-----------------------------------|-----------------------|-----------------------------------|
| $\beta \leq 90^\circ$ | $90^\circ < \beta \leq 120^\circ$ | $\beta \leq 90^\circ$ | $90^\circ < \beta \leq 120^\circ$ |
| 1250 kg | 720 kg | 625 kg | 360 kg |

It is not recommended to lift the cabinet when the angle between chains is greater than 120°. The weight must be evenly distributed.

Plinth not included in the set.



Opaque door combinable cabinet



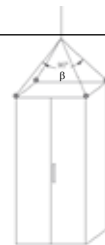
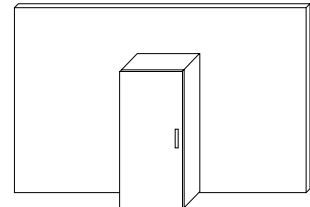
Transparent door combinable cabinet



Opaque double door combinable cabinet



Transp. double door combinable cabinet



ARGENTA PLUS COMBINABLE (ENL)

IP55 steel floor-standing combinable cabinets

PACK 1: Vertical uprights. IP55 **Combinable**. Packs



| Reference No. | For cabinet | Pack |
|---------------|-------------|---------|
| HEIGHT | | |
| PV1650 | 1650 | 4 Units |
| PV1800 | 1800 | 4 Units |
| PV2000 | 2000 | 4 Units |
| PV2200 | 2200 | 4 Units |

MATERIAL: Tubular structure, giving the product a great robustness.

CHARACTERISTICS: Pack of 4 vertical profiles. The inner sides have rectangular and round cut-outs to fix accessories. The outer sides are flat with cut-outs to fix doors and panels. Fully reversibles.

PACK 2: Bottom frame and top frame (with roof). IP55 **Combinable**. Packs



| Reference No. | For cabinet | |
|---------------|-------------|-------|
| | WIDTH | DEPTH |
| PSI3040 | 300 | 400 |
| PSI3050 | 300 | 500 |
| PSI3060 | 300 | 600 |
| PSI3080 | 300 | 800 |
| PSI4040 | 400 | 400 |
| PSI4050 | 400 | 500 |
| PSI4060 | 400 | 600 |
| PSI4080 | 400 | 800 |
| PSI6040 | 600 | 400 |
| PSI6050 | 600 | 500 |
| PSI6060 | 600 | 600 |
| PSI6080 | 600 | 800 |
| PSI60100 | 600 | 1000 |
| PSI8040 | 800 | 400 |
| PSI8050 | 800 | 500 |
| PSI8060 | 800 | 600 |
| PSI8080 | 800 | 800 |
| PSI80100 | 800 | 1000 |
| PSI10040 | 1000 | 400 |
| PSI10050 | 1000 | 500 |
| PSI10060 | 1000 | 600 |
| PSI10080 | 1000 | 800 |
| PSI12040 | 1200 | 400 |
| PSI12050 | 1200 | 500 |
| PSI12060 | 1200 | 600 |
| PSI12080 | 1200 | 800 |
| PSI16040 | 1600 | 400 |
| PSI16050 | 1600 | 500 |

MATERIAL: Top and bottom lid made in RAL 7035 painted sheet steel, with a thickness of 1.5 mm. With sealing gasket to guarantee the IP protection. Cable entry lid made in 2-mm thick galvanised steel.

CHARACTERISTICS: It includes upper and lower frames. Top and bottom lid. Cable entry lid. Bag with all the screws and assembly elements. Assembly instructions.



PACK 3: Rear panel. IP55 **Combinable.** Packs



| Reference No. | For cabinet | | Pack |
|---------------|-------------|-------|--------|
| | HEIGHT | WIDTH | |
| PAT16560 | 1650 | 600 | 1 Unit |
| PAT16580 | 1650 | 800 | 1 Unit |
| PAT165100 | 1650 | 1000 | 1 Unit |
| PAT165120 | 1650 | 1200 | 1 Unit |
| PAT18030 | 1800 | 300 | 1 Unit |
| PAT18040 | 1800 | 400 | 1 Unit |
| PAT18060 | 1800 | 600 | 1 Unit |
| PAT18080 | 1800 | 800 | 1 Unit |
| PAT180100 | 1800 | 1000 | 1 Unit |
| PAT180120 | 1800 | 1200 | 1 Unit |
| PAT180160 | 1800 | 1600 | 1 Unit |
| PAT20030 | 2000 | 300 | 1 Unit |
| PAT20040 | 2000 | 400 | 1 Unit |
| PAT20060 | 2000 | 600 | 1 Unit |
| PAT20080 | 2000 | 800 | 1 Unit |
| PAT200100 | 2000 | 1000 | 1 Unit |
| PAT200120 | 2000 | 1200 | 1 Unit |
| PAT200160 | 2000 | 1600 | 1 Unit |
| PAT22030 | 2200 | 300 | 1 Unit |
| PAT22040 | 2200 | 400 | 1 Unit |
| PAT22060 | 2200 | 600 | 1 Unit |
| PAT22080 | 2200 | 800 | 1 Unit |

MATERIAL: Made in 1.5-mm thick cold-rolled steel primed and painted RAL 7035, with sealing gasket to guarantee IP protection.

CHARACTERISTICS: It includes rear panel with supports, M6 countersunk screws and washers for attachment.

PACK 4: Side panels. IP55 **Combinable.** Packs



| Reference No. | For cabinet | | Pack |
|---------------|-------------|-------|---------|
| | HEIGHT | DEPTH | |
| PLA16550 | 1650 | 500 | 2 Units |
| PLA16560 | 1650 | 600 | 2 Units |
| PLA18040 | 1800 | 400 | 2 Units |
| PLA18050 | 1800 | 500 | 2 Units |
| PLA18060 | 1800 | 600 | 2 Units |
| PLA20040 | 2000 | 400 | 2 Units |
| PLA20050 | 2000 | 500 | 2 Units |
| PLA20060 | 2000 | 600 | 2 Units |
| PLA20080 | 2000 | 800 | 2 Units |
| PLA200100 | 2000 | 1000 | 2 Units |
| PLA22060 | 2200 | 600 | 2 Units |
| PLA22080 | 2200 | 800 | 2 Units |
| PLA220100 | 2200 | 1000 | 2 Units |

MATERIAL: Made in 1.5-mm thick cold-rolled steel primed and painted RAL 7035, with sealing gasket to guarantee IP protection.

CHARACTERISTICS: 2-panel pack. It includes M6 countersunk fixing.

ARGENTA PLUS COMBINABLE (ENL)

IP55 steel floor-standing combinable cabinets

PACK 5: Doors. IP55 Combinable. Packs

Single opaque doors



| Reference No. | For cabinet | |
|---------------|-------------|-------|
| | HEIGHT | WIDTH |
| PO16560 | 1650 | 600 |
| PO16580 | 1650 | 800 |
| PO165100 | 1650 | 1000 |
| PO18030 | 1800 | 300 |
| PO18040 | 1800 | 400 |
| PO18060 | 1800 | 600 |
| PO18080 | 1800 | 800 |
| PO180100 | 1800 | 1000 |
| PO20030 | 2000 | 300 |
| PO20040 | 2000 | 400 |
| PO20060 | 2000 | 600 |
| PO20080 | 2000 | 800 |
| PO200100 | 2000 | 1000 |
| PO22030 | 2200 | 300 |
| PO22040 | 2200 | 400 |
| PO22060 | 2200 | 600 |
| PO22080 | 2200 | 800 |

MATERIAL: Cold-rolled steel with a thickness of 2 mm, primed and painted RAL 7035.

CHARACTERISTICS: It includes door, reinforcement profiles, lock elements, hinges and door retainers. They feature a 4-point lock, double-bit insert with retractable handle in RAL 7016 grey. Doors with 120° opening, reversible. Check availability for transparent doors.

Double opaque symmetrical doors

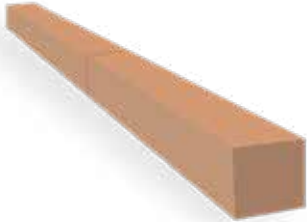


| Reference No. | For cabinet | |
|---------------|-------------|-------|
| | HEIGHT | WIDTH |
| PODCS165100 | 1650 | 1000 |
| PODCS165120 | 1650 | 1200 |
| PODCS180100 | 1800 | 1000 |
| PODCS180120 | 1800 | 1200 |
| PODCS180160 | 1800 | 1600 |
| PODCS200100 | 2000 | 1000 |
| PODCS200120 | 2000 | 1200 |
| PODCS200160 | 2000 | 1600 |

MATERIAL: Cold-rolled steel with a thickness of 2 mm, primed and painted RAL 7035.

CHARACTERISTICS: Two doors per reference are supplied, lock elements, hinges and door retainers. They include double lock; Interior: 2-point ¼ turn. Exterior: 4-point double-bit insert with retractable handle in RAL 7016 grey. Doors with 120° opening, reversible. Check availability for symmetrical and asymmetrical transparent double doors.

Supply



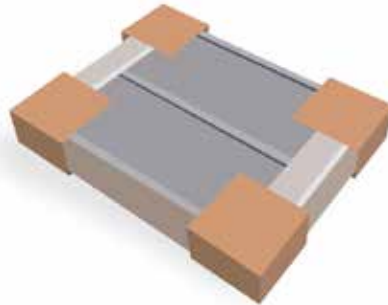
PACK 1: VERTICAL UPRIGHTS

The four profiles are supplied in pack and protected by cardboard.



PACK 4: SIDE PANELS

Packed and protected by a cardboard pad. Between the panels and the cardboard pad, EPS HD strips are placed to avoid deformations, at the top, at the bottom and onto the rear side along the panels. The whole set is film shrink-wrapped.



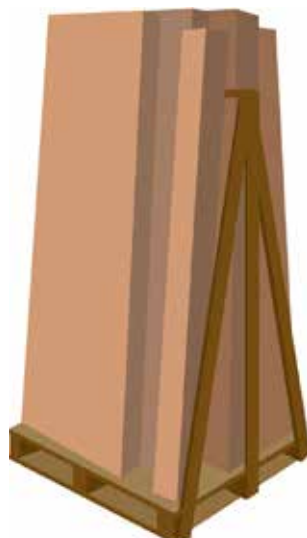
PACK 2: BOTTOM AND TOP FRAMES

Lids are screwed in the bottom frame. Top and bottom lids are protected by a cardboard pad. The corners are protected by cardboard corner pieces. The whole set is film shrink-wrapped.



PACK 5: DOORS

SINGLE DOOR: Packed and protected by a cardboard pad. Between the door and the cardboard pad, EPS HD strips are placed to avoid deformations, at the top, at the bottom and onto the rear side along the door. The whole set is film shrink-wrapped.



PACK 3: REAR PANEL

Packed and protected by a cardboard pad. Between the panel and the cardboard pad, EPS HD strips are placed to avoid deformations, at the top, at the bottom and onto the rear side along the panel. The whole set is film shrink-wrapped.

DOUBLE DOOR: Packed and protected by a cardboard pad. Both doors are packed together, above one another, separated by EPS HD strips. Between the doors and the cardboard pad, EPS HD strips are placed to avoid deformations, at the top, at the bottom and onto the rear side along the door. The whole set is film shrink-wrapped.

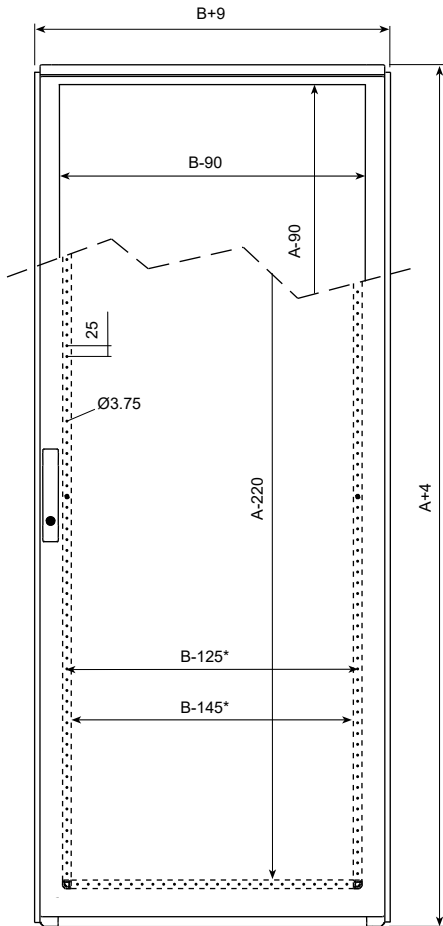
ARGENTA PLUS COMBINABLE (ENL)

IP55 steel floor-standing combinable cabinets

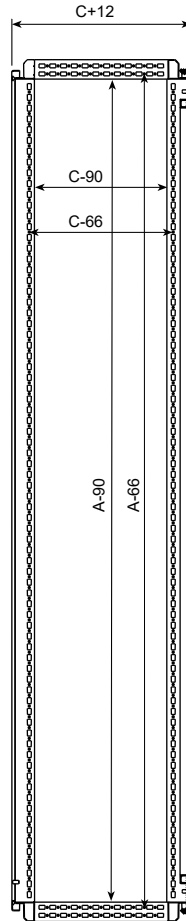
Dimensions: Argenta Plus Combinable

Single door

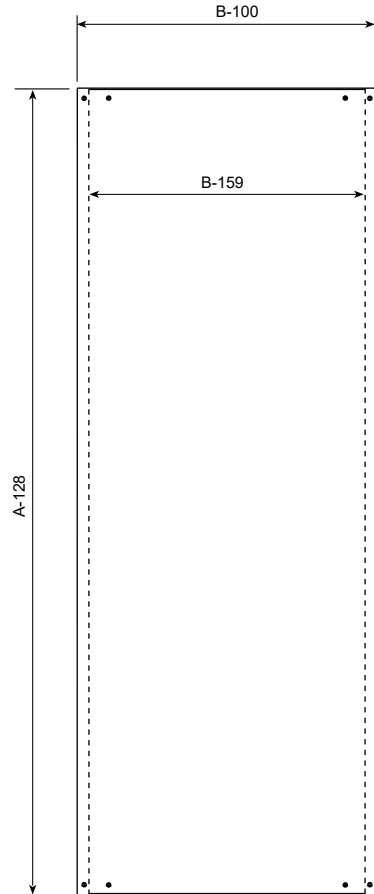
Front



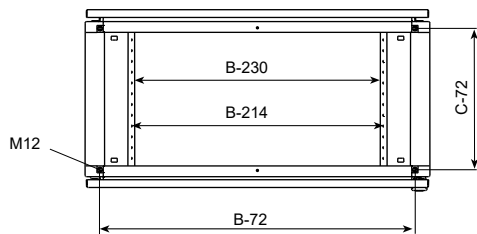
Side section



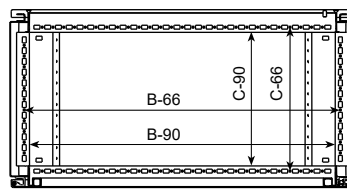
Mounting plate



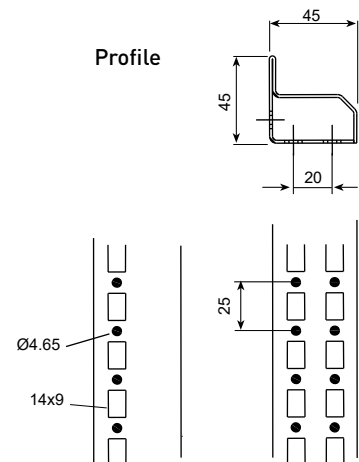
Ground plan



Ground plan section



Profile

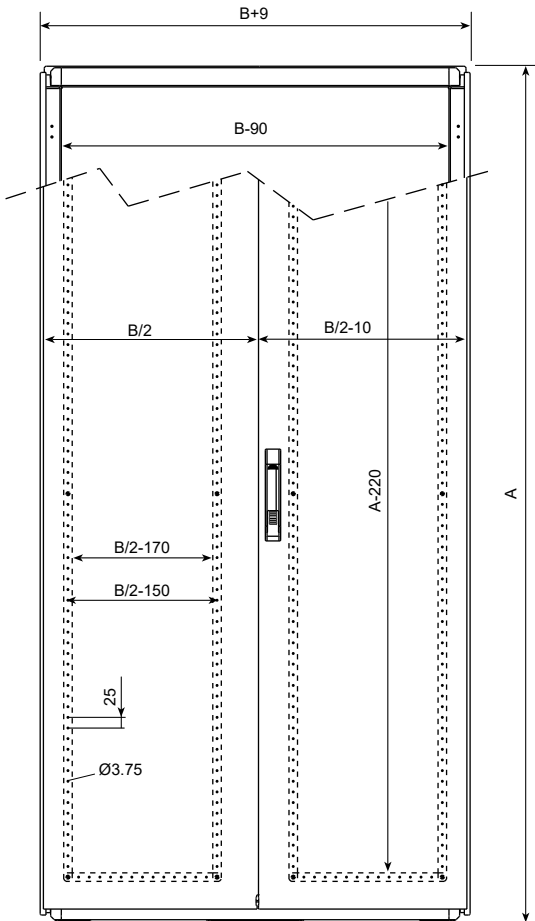


* For B=600, change to B-150
B-170

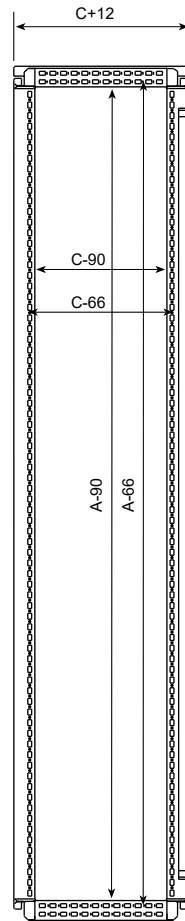
Dimensions: Argenta Plus Combinable

Double door

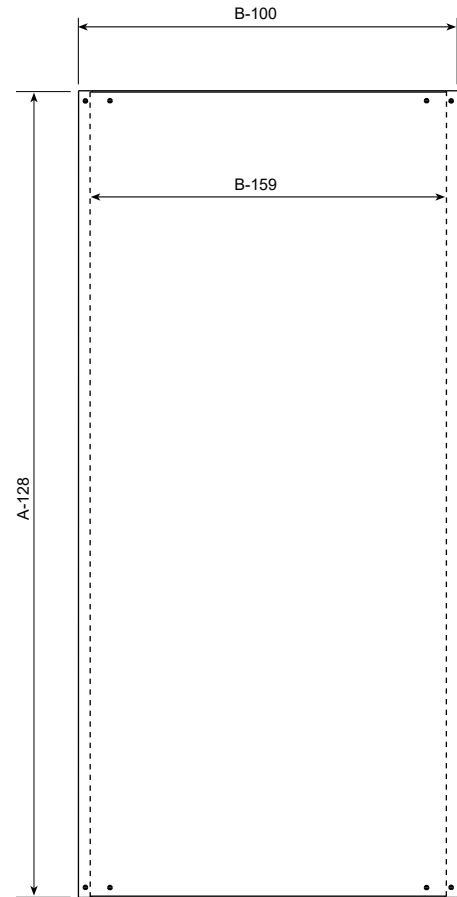
Front



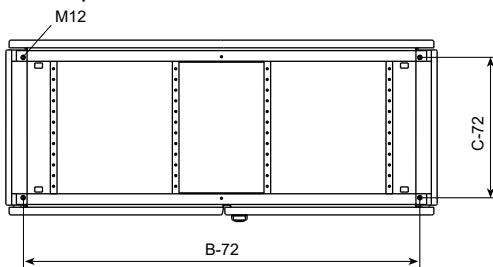
Side section



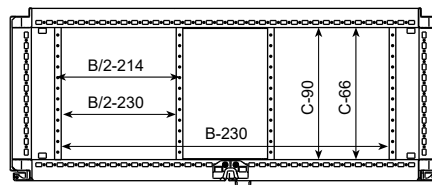
Mounting plate



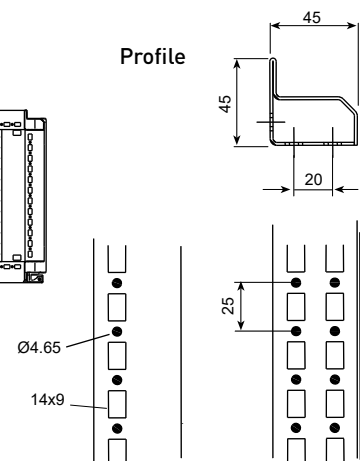
Ground plan



Ground plan section



Profile



ARGENTA PLUS

IP55 PC Control cabinet

IP55 PC control cabinet



| Reference No. | Dimensions | Cable entry |
|----------------------------|-------------------------------|----------------------|
| TRANS. DISPLAY DOOR | HEIGHT X WIDTH X DEPTH | WIDTH X DEPTH |
| ENLPC1656060 | 1650x600x600 | 370x510 |
| ENLPC1656080 | 1650x600x800 | 370x710 |
| OPAQUE DISPLAY DOOR | | |
| ENLPC1656060/PMO | 1650x600x600 | 370x510 |

MATERIAL: Cold-rolled steel primed and painted RAL 7035.

CHARACTERISTICS: Multi-function cabinet for PC for industrial environments. IP55 degree of protection.

Partial front doors that restrict access to each function by means of slot-type locks.

Keyboard cover with keyless wing nut lock.

Partial upper door with glass for up to 19" display.

Opaque door at bottom. Area for holding CPU, printers, etc., with the possibility of adding trays.

Retractable keyboard tray to support mouse on right or left.

Display tray included.

It is supplied with 2 lifting eyebolts to facilitate transport.

SUPPLY: Supplied on pallets, protected with honeycomb cardboard corner pieces and shrink-wrap film.

Fixed trays for PC control cabinets



| Reference No. | Dimensions | For cabinet | |
|----------------|----------------------|--------------|--------------|
| | WIDTH X DEPTH | WIDTH | DEPTH |
| BNF6040 | 600x320 | 600 | 400 |
| BNF6060 | 600x520 | 600 | 600 |
| BNF6080 | 600x720 | 600 | 800 |

MATERIAL: Galvanised steel.

CHARACTERISTICS: Trays that are secured to the bottom of the PC control cabinet for holding CPU, printers, etc. Max. Load: 100 kg.

For assembly, a set of PME profiles with the same depth as the cabinet is needed (see page 156).

They are supplied with all the screws required for installation.

19" rack type assembly profiles for PC control cabinets



| Reference No. | Description | Assembly units |
|------------------|---------------------------------|----------------|
| PMR19/10U | 19" rack profile (2-piece pack) | 10 |

MATERIAL: Galvanised steel.

CHARACTERISTICS: For assembly, 2 sets of PME or PMI profiles with the same depth as the cabinet are needed (see page 156-157).

Locks for PC control cabinets



Ref. 48526

Ref. 48527

Ref. 48528

| Reference No. | Description |
|---------------|---------------------------------------------------------------|
| 48526 | 1/4 turn lock with slot 1.5x3 (2-piece pack) |
| 48527 | 1/4 turn lock with wing nut without key (2-piece pack) |
| 48528 | 1/4 turn lock with wing nut with key code 2233 (2-piece pack) |

MATERIAL: Zamak.

CHARACTERISTICS: Locks for fitting to PC control cabinets.

SUPPLY: Pack of two pieces per reference.

Wall-mounted enclosures for assembled and wired power sockets



| Reference No. | No. of modules | Weight | Components | | | | | | |
|---------------|----------------|--------|------------|---------------------|----|-------|-------|-------------|--|
| | | | No. | Description | IP | Poles | I (A) | Voltage (V) | |
| SV4100 | 1x6 DIN rail | 1.15 | 4 | Schuko-type sockets | 54 | 2P+E | 16 | 230 | |

FINISH: RAL 7035 grey with transparent window.

DIMENSIONS: 436x142x180 mm.

TYPE: 65TC06.

IP: IP54.

Box suggested to be able to connect all the devices inside the PC control cabinet.



ARGENTA PLUS

IP55-IP65 steel floor-standing cabinets accessories

Mounting plates



| Reference No. | Dimensions | For cabinet | |
|--------------------|------------|-----------------------|-------|
| | | HEIGHT | WIDTH |
| TOTAL PLAIN | | HEIGHT X WIDTH | |
| PL16560 | 1522x500 | 1650 | 600 |
| PL16580 | 1522x700 | 1650 | 800 |
| PL165100 | 1522x900 | 1650 | 1000 |
| PL165120 | 1522x1100 | 1650 | 1200 |
| PL18040 | 1672x300 | 1800 | 400 |
| PL18060 | 1672x500 | 1800 | 600 |
| PL18080 | 1672x700 | 1800 | 800 |
| PL180100 | 1672x900 | 1800 | 1000 |
| PL180120 | 1672x1100 | 1800 | 1200 |
| PL180160 | 1672x1500 | 1800 | 1600 |
| PL20040 | 1872x300 | 2000 | 400 |
| PL20060 | 1872x500 | 2000 | 600 |
| PL20080 | 1872x700 | 2000 | 800 |
| PL200100 | 1872x900 | 2000 | 1000 |
| PL200120 | 1872x1100 | 2000 | 1200 |
| PL200160 | 1872x1500 | 2000 | 1600 |
| PL22040 | 2072x300 | 2200 | 400 |
| PL22060 | 2072x500 | 2200 | 600 |
| PL22080 | 2072x700 | 2200 | 800 |

Assembly supports must be ordered to install the plates

| | |
|-------|-------------------------------------------------------|
| 48471 | Total plate assembly supports (4-piece pack) |
| 48627 | Central reinforcement support for 1600 mm wide plates |

MATERIAL: Galvanised sheet steel with a thickness of 3 mm.

CHARACTERISTICS: Reinforced with C-shaped folds. Depth-adjustable. 12.5 mm adjustment. The PLC-type linking plates can be assembled in units consisting of two or more cabinets (see page 139).

Maximum load on plate: 600 kg.

FOR THE FOLLOWING CABINETS: FSC - ENL - BIG.



| Reference No. | Dimensions | Sheet | For |
|----------------------|------------|-----------|--------------|
| | | thickness | cabinet |
| PARTIAL PLAIN | | | WIDTH |
| PLP2040 | 200x300 | 2 | 400 |
| PLP2060 | 200x500 | 2 | 600 |
| PLP2080 | 200x700 | 2 | 800 |
| PLP20100 | 200x900 | 2 | 1000 |
| PLP20120 | 200x1100 | 2 | 1200 |
| PLP3040 | 300x300 | 2 | 400 |
| PLP3060 | 300x500 | 2 | 600 |
| PLP3080 | 300x700 | 2 | 800 |
| PLP30100 | 300x900 | 3 | 1000 |
| PLP30120 | 300x1100 | 3 | 1200 |
| PLP4040 | 400x300 | 2 | 400 |
| PLP4060 | 400x500 | 2 | 600 |
| PLP4080 | 400x700 | 3 | 800 |
| PLP40100 | 400x900 | 3 | 1000 |
| PLP40120 | 400x1100 | 3 | 1200 |
| PLP6040 | 600x300 | 2 | 400 |
| PLP6060 | 600x500 | 2 | 600 |
| PLP6080 | 600x700 | 3 | 800 |
| PLP60100 | 600x900 | 3 | 1000 |
| PLP60120 | 600x1100 | 3 | 1200 |

Assembly supports must be ordered to install the plates

| | |
|-------|------------------------------------------------|
| 48472 | Partial plate assembly supports (4-piece pack) |
|-------|------------------------------------------------|

MATERIAL: Galvanised sheet steel.

CHARACTERISTICS: Reinforced with C-shaped folds. Attachment to the structure's vertical profiles.

FOR THE FOLLOWING CABINETS: FSC - ENL.

Linking plates



| Reference No. | Dimensions | | For cabinet |
|---------------|----------------|--|-------------|
| | HEIGHT X WIDTH | | HEIGHT |
| PLC1650 | 1522x103 | | 1650 |
| PLC1800 | 1672x103 | | 1800 |
| PLC2000 | 1872x103 | | 2000 |
| PLC2200 | 2072x103 | | 2200 |

Assembly supports must be ordered to install the plates

48474 Linking plate assembly supports (2-piece pack)

MATERIAL: Galvanised sheet steel with a thickness of 3 mm.

CHARACTERISTICS: For achieving continuous surfaces in mounting plates for two or more cabinets.

FOR THE FOLLOWING CABINETS: ENL.

Separation plates



| Reference No. | Dimensions | | For cabinet | |
|---------------|----------------|--|-------------|-------|
| | HEIGHT X WIDTH | | HEIGHT | DEPTH |
| PLS18040 | 1672x292 | | 1800 | 400 |
| PLS20040 | 1872x292 | | 2000 | 400 |
| PLS18050 | 1672x395 | | 1800 | 500 |
| PLS20050 | 1872x395 | | 2000 | 500 |
| PLS18060 | 1672x495 | | 1800 | 600 |
| PLS20060 | 1872x495 | | 2000 | 600 |
| PLS18080 | 1672x695 | | 1800 | 800 |
| PLS20080 | 1872x695 | | 2000 | 800 |
| PLS22080 | 2072x695 | | 2200 | 800 |

All the accessories necessary for assembly are included.

MATERIAL: Galvanised sheet steel with a thickness of 3 mm.

CHARACTERISTICS: For separating or dividing combined cabinets.

Reinforced with C-shaped folds.

FOR THE FOLLOWING CABINETS: ENL.

ARGENTA PLUS

IP55-IP65 steel floor-standing cabinets accessories

Slide way



| Reference No. | Description |
|---------------|------------------------|
| 48500 | Plate combination pack |

| Reference No. | For cabinet |
|---------------|-------------|
| WIDTH | |
| GD400 | 400 |
| GD600 | 600 |
| GD800 | 800 |
| GD1000 | 1000 |
| GD1200 | 1200 |

MATERIAL: Galvanised steel.

CHARACTERISTICS: Reference 48500 and the slideway pack must be ordered depending on cabinet width.

It is used to join plates, thus yielding a rigid unit that facilitates assembly and makes the most of the plate's surface.

The plates are supplied completely assembled and fit neatly into the cabinet.

Once in their final position they are secured by means of screws that prevent any kind of movement.







FOR THE FOLLOWING CABINETS: ENL.

Plate combination guideway

| Total width of cabinets | Plate combination | Total plate width |
|-------------------------|-----------------------|-------------------|
| 1000 | 2xPLxxx60 | 1000 |
| 1200 | 1xPLxxx80+1xPLxxx60 | 1200 |
| 1400 | 2xPLxxx80 | 1400 |
| 1600 | 1xPLxxx100+1xPLxxx80 | 1600 |
| 1800 | 2xPLxxx100 | 1800 |
| 2000 | 1xPLxxx120+1xPLxxx100 | 2000 |
| 2200 | 2xPLxxx120 | 2200 |
| 2400 | 2xPLxxx80+2xPLxxx60 | 2400 |
| 2600 | 1xPLxxx120+3xPLxxx60 | 2600 |
| 2800 | 4xPLxxx80 | 2800 |
| 3000 | 1xPLxxx100+3xPLxxx80 | 3000 |
| 3200 | 1xPLxxx120+3xPLxxx80 | 3200 |
| 3400 | 3xPLxxx100+1xPLxxx80 | 3400 |
| 3600 | 4xPLxxx100 | 3600 |
| 3800 | 3xPLxxx120+1xPLxxx60 | 3800 |
| 4000 | 3xPLxxx120+1PLxxx80 | 4000 |





Accessory packs for plates

| | | Reference No. | Description |
|-------------------------------------------------------------------------------------------------|-------------------------------------------------------------------------------------------------|---------------|----------------------------------------------------------------------|
|  Ref. 48471 |  Ref. 48473 | 48471 | Total plate assembly supports (4-piece pack) |
| | | 48473 | Total plate central support (2-piece pack) |
|  Ref. 48472 |  Ref. 48419 | 48472 | Partial plate assembly supports (4-piece pack) |
| | | 48419 | Separation plate assembly supports (4-piece pack) |
|  Ref. 48474 |  Ref. 48627 | 48474 | Linking plate assembly supports (2-piece pack) |
| | | 48627 | Central reinforcement support for 1600 mm wide plates (2-piece pack) |



MATERIAL: Galvanised steel.
CHARACTERISTICS: Brackets for attaching plates directly to the cabinet structure. Maximum load (4 brackets): 600 kg.
 The packs of brackets plus the fixing elements are supplied.
FOR THE FOLLOWING CABINETS: FSC - ENL - BIG.

Connection packs for combinable cabinets

| | | Reference No. | Description |
|---------------------------------------------------------------------------------------------------|---------------------------------------------------------------------------------------------------|---------------|------------------------------------------------------------------------------|
|  Ref. 48111 |  Ref. 48112 | 48111 | Internal connection of combinable cabinets (6-piece pack) |
| | | 48112 | Corner connection of combinable cabinets (4-piece pack) |
| | | 48116 | Mixed connection pack; 4 pcs. Internal connection + 4 pcs. Corner connection |


MATERIAL: Galvanised steel.
CHARACTERISTICS: Accessories for connecting combinable cabinets on the inside, thus yielding stable and robust structures.
 Packs are supplied with all the screws required for installation.
FOR THE FOLLOWING CABINETS: ENL.

Connection and lifting packs

| | | Reference No. | Description |
|---------------------------------------------------------------------------------------------------|---------------------------------------------------------------------------------------------------|---------------|-------------------------------------------------------------------|
|  Ref. 48114 |  Ref. 48115 | 48114 | Combinable cabinet connection and lifting brackets (2-piece pack) |
| | | 48115 | M12 Lifting eyebolts (2-piece pack) |

MATERIAL: Galvanised steel.
CHARACTERISTICS: Ref. 48114: Accessory for connecting and lifting combinable cabinets. Ref. 48115: Accessory for lifting compact, semi-compact and combinable cabinets. 2 pieces are supplied with the ENL and FSC-type cabinet reference.
 Packs are supplied with all the screws required for installation.
FOR THE FOLLOWING CABINETS: FSC - ENL - BIG.

Wall-mounting pack

| | | Reference No. | Description |
|-------------------------------------------------------------------------------------|--|---------------|---------------------------------------|
|  | | 48113 | Wall-mounting brackets (2-piece pack) |

MATERIAL: Galvanised steel.
CHARACTERISTICS: Cabinet wall-mounting brackets.
FOR THE FOLLOWING CABINETS: FSC - ENL - BIG.

ARGENTA PLUS

IP55-IP65 steel floor-standing cabinets accessories

Insulation joints



| Reference No. | Description |
|-------------------|---------------------------------------------|
| TRIM JOINT | |
| 48478 | Corner finishing joint in bright grey (6 m) |

MATERIAL: Plasticised PVC.

CHARACTERISTICS: Temperature range: -40 °C / +90 °C. For joining the rear panels, only horizontally.

FOR THE FOLLOWING CABINETS: FSC - ENL - BIG.



Ref. 48479



Ref. 48480



Ref. 48636

| Reference No. | Description |
|----------------------------------|-------------------------------------------------|
| CABINET CONNECTION JOINTS | |
| 48479 | Insulation joint (6 m) |
| 48480 | Adhesive insulation joint (6 m) |
| 48636 | Insulation joint (2 m) + Adhesive joint (4.5 m) |

MATERIAL: Ref. 48479: Rubber; Ref. 48480: Polyethylene foam.

CHARACTERISTICS: IP55 protection guaranteed.

Reference 48636 is used to join cabinets at the side (lateral connections).

Reference 48479 is used to join cabinets at the back (rear connections).

Reference 48480 is used to join cabinets and the busbar chamber.

FOR THE FOLLOWING CABINETS: ENL.

| Reference No. | Description |
|--------------------------------|---------------|
| BRUSHES FOR CABLE ENTRY | |
| 48481 | Brushes (2 m) |

MATERIAL: Thermoplastic rubber enclosure; Polyamide 6 fibres.

CHARACTERISTICS: Brushes placed in the cable entries.

Enclosure length 2 m, fibre height 35 mm.

FOR THE FOLLOWING CABINETS: FSC - ENL - BIG.



Earthquake kit for equipping baying system



| Reference No. | Description |
|-------------------|--------------------|
| | FOR CABINET |
| KRS2006040 | ENL2006040 |
| KRS2006060 | ENL2006060 |
| KRS2008060 | ENL2008060 |
| KRS2008080 | ENL2008080 |

MATERIAL: Galvanised sheet steel with a thickness of 3 mm.

CHARACTERISTICS: Comprises the following components:

8 brackets joined to the vertical profiles and upper and lower frames.

20x20x1.5 square cross-section bars fitted diagonally to the sides and back of the cabinet.

The side bars will be joined to the upper and lower brackets and to a middle bracket. The bars at the back of the cabinet will be joined to a horizontal profile.

FOR THE FOLLOWING CABINETS: ENL.

Earthquake kit for plates



| Reference No. | For plate |
|-------------------|-----------------------|
| | HEIGHT X WIDTH |
| KRSPL20060 | 2000x600 |
| KRSPL20080 | 2000x800 |

MATERIAL: Reinforcement profile in 2-mm thick galvanised steel plate.

3 mm thick support in galvanised steel plate.

CHARACTERISTICS: Reinforcement profiles screwed to the ends of the plate to prevent deformations from bending movements.

Middle support joined to the outer profile to prevent deformations from movements.

Earthquake plinth



| Reference No. | For cabinet |
|---------------------|----------------------|
| | WIDTH X DEPTH |
| KRSZCL106040 | 600x400 |
| KRSZCL106060 | 600x600 |
| KRSZCL108060 | 800x600 |
| KRSZCL108080 | 800x800 |

MATERIAL: Cold-rolled steel primed and painted RAL 7016.

CHARACTERISTICS: Special seismic plinth comprising front, back, sides and inner reinforcements welded to form a single unit.

FOR THE FOLLOWING CABINETS: ENL.

ARGENTA PLUS

IP55-IP65 steel floor-standing cabinets accessories

Trim frame



| Reference No. | Usable space | For cabinet | |
|-----------------|--------------|-------------|-------|
| | | HEIGHT | WIDTH |
| MEB16560 | 1650x600 | 1650 | 600 |
| MEB16580 | 1650x800 | 1650 | 800 |
| MEB18060 | 1800x600 | 1800 | 600 |
| MEB18080 | 1800x800 | 1800 | 800 |
| MEB20060 | 2000x600 | 2000 | 600 |
| MEB20080 | 2000x800 | 2000 | 800 |
| MEB22060 | 2200x600 | 2200 | 600 |
| MEB22080 | 2200x800 | 2200 | 800 |

MATERIAL: RAL 7035 rolled steel.

CHARACTERISTICS: Frame to improve visual appearance that can only be fitted to doorless cabinets. Includes two vertical profiles, two horizontal profiles and a bag of screws. It is not suitable with modular frame.

FOR THE FOLLOWING CABINETS: FSC - ENL (without door).

Modular frame (without partition)



| Reference No. | Usable space | | Lid | For cabinet | |
|------------------|--------------|-------|------|-------------|-------|
| | HEIGHT | WIDTH | | HEIGHT | WIDTH |
| BTM16560 | 1450 | 600 | 1650 | 600 | |
| BTM16580 | 1450 | 800 | 1650 | 800 | |
| BTM165100 | 1450 | 1000 | 1650 | 1000 | |
| BTM165120 | 1450 | 2x600 | 1650 | 1200 | |
| BTM18060 | 1600 | 600 | 1800 | 600 | |
| BTM18080 | 1600 | 800 | 1800 | 800 | |
| BTM180100 | 1600 | 1000 | 1800 | 1000 | |
| BTM180120 | 1600 | 2x600 | 1800 | 1200 | |
| BTM180160 | 1600 | 2x800 | 1800 | 1600 | |
| BTM20060 | 1800 | 600 | 2000 | 600 | |
| BTM20080 | 1800 | 800 | 2000 | 800 | |
| BTM200100 | 1800 | 1000 | 2000 | 1000 | |
| BTM200120 | 1800 | 2x600 | 2000 | 1200 | |
| BTM200160 | 1800 | 2x800 | 2000 | 1600 | |
| BTM22060 | 2000 | 600 | 2200 | 600 | |
| BTM22080 | 2000 | 800 | 2200 | 800 | |

MATERIAL: RAL 7035 rolled steel.

CHARACTERISTICS: Frame required to secure the DIN rail adjustment elements and the front lids.

Lids and DIN rails not included (see references on pages 146-147).

A double frame is supplied for cabinets with a width of 1200 mm and 1600 mm.

FOR THE FOLLOWING CABINETS: FSC - ENL.

Modular frame (with partition door)



| Reference No. | Usable space | | Lid | | For cabinet | |
|-----------------------|--------------|-------|--------|-------|-------------|-------|
| | HEIGHT | WIDTH | HEIGHT | WIDTH | HEIGHT | WIDTH |
| BTM165100/P400 | 1450 | 600 | 1650 | 1000 | | |
| BTM165120/P400 | 1450 | 800 | 1650 | 1200 | | |
| BTM180100/P400 | 1600 | 600 | 1800 | 1000 | | |
| BTM180120/P400 | 1600 | 800 | 1800 | 1200 | | |
| BTM200100/P400 | 1800 | 600 | 2000 | 1000 | | |
| BTM200120/P400 | 1800 | 800 | 2000 | 1200 | | |

MATERIAL: RAL 7035 rolled steel.

CHARACTERISTICS: It includes a 400-mm wide partition door.

It can be fitted to cabinets with a width of 1000 and 1200 mm.

Frame required to secure the DIN rail adjustment elements and the front lids.

Lids and DIN rails not included (see references on pages 146-147).

FOR THE FOLLOWING CABINETS: FSC - ENL.

Modular frame (with partition column)



| Reference No. | Usable space | | Lid | | For cabinet | |
|-----------------------|--------------|-------|--------|-------|-------------|-------|
| | HEIGHT | WIDTH | HEIGHT | WIDTH | HEIGHT | WIDTH |
| BTM18080/E200 | 1600 | 600 | 1800 | 800 | | |
| BTM180100/E200 | 1600 | 800 | 1800 | 1000 | | |
| BTM20080/E200 | 1800 | 600 | 2000 | 800 | | |
| BTM200100/E200 | 1800 | 800 | 2000 | 1000 | | |
| BTM22080/E200 | 2000 | 600 | 2200 | 800 | | |

MATERIAL: RAL 7035 rolled steel.

CHARACTERISTICS: It includes a 200-mm wide partition column.

It can be fitted to cabinets with a width of 800 and 1000 mm.

Frame required to secure the DIN rail adjustment elements and the front lids.

Lids and DIN rails not included (see references on pages 146-147).

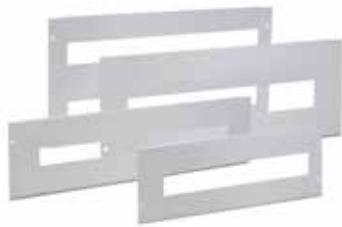
FOR THE FOLLOWING CABINETS: FSC - ENL.



ARGENTA PLUS

IP55-IP65 steel floor-standing cabinets accessories

Lids for modular frame



| Reference No. | Dimensions | | For cabinet | No. of modules |
|----------------------|------------|-------|--------------|----------------|
| | HEIGHT | WIDTH | | |
| FIXED MODULAR | | | WIDTH | |
| TMF1560 | 150 | 500 | 600 | 24 |
| TMF1580 | 150 | 700 | 800 | 34 |
| TMF15100 | 150 | 900 | 1000 | 46 |
| TMF2060 | 200 | 500 | 600 | 24 |
| TMF2080 | 200 | 700 | 800 | 34 |
| TMF20100 | 200 | 900 | 1000 | 46 |
| TMF3060 | 300 | 500 | 600 | 2x24 |
| TMF3080 | 300 | 700 | 800 | 2x34 |
| TMF30100 | 300 | 900 | 1000 | 2x46 |
| TMF4060 | 400 | 500 | 600 | 2x24 |
| TMF4080 | 400 | 700 | 800 | 2x34 |
| TMF40100 | 400 | 900 | 1000 | 2x46 |



| Reference No. | Dimensions | | For cabinet | No. of modules |
|--------------------|------------|-------|--------------|----------------|
| | HEIGHT | WIDTH | | |
| FIXED PLAIN | | | WIDTH | |
| TCF0560 | 50 | 500 | 600 | - |
| TCF0580 | 50 | 700 | 800 | - |
| TCF05100 | 50 | 900 | 1000 | - |
| TCF1060 | 100 | 500 | 600 | - |
| TCF1080 | 100 | 700 | 800 | - |
| TCF10100 | 100 | 900 | 1000 | - |
| TCF1560 | 150 | 500 | 600 | - |
| TCF1580 | 150 | 700 | 800 | - |
| TCF15100 | 150 | 900 | 1000 | - |
| TCF2060 | 200 | 500 | 600 | - |
| TCF2080 | 200 | 700 | 800 | - |
| TCF20100 | 200 | 900 | 1000 | - |
| TCF3060 | 300 | 500 | 600 | - |
| TCF3080 | 300 | 700 | 800 | - |
| TCF30100 | 300 | 900 | 1000 | - |
| TCF4060 | 400 | 500 | 600 | - |
| TCF4080 | 400 | 700 | 800 | - |
| TCF40100 | 400 | 900 | 1000 | - |
| TCF6060 | 600 | 500 | 600 | - |
| TCF6080 | 600 | 700 | 800 | - |
| TCF60100 | 600 | 900 | 1000 | - |

Upon request, custom machined lids for different types of MCCB or control and measurement elements. Request more information at export@ide.es



| Reference No. | Dimensions | | For cabinet | No. of modules |
|-----------------------|------------|-------|--------------|----------------|
| | HEIGHT | WIDTH | | |
| MODULAR HINGED | | | WIDTH | |
| TMA1560 | 150 | 500 | 600 | 23 |
| TMA1580 | 150 | 700 | 800 | 33 |
| TMA15100 | 150 | 900 | 1000 | 46 |
| TMA2060 | 200 | 500 | 600 | 23 |
| TMA2080 | 200 | 700 | 800 | 33 |
| TMA20100 | 200 | 900 | 1000 | 46 |
| TMA3060 | 300 | 500 | 600 | 2x23 |
| TMA3080 | 300 | 700 | 800 | 2x33 |
| TMA30100 | 300 | 900 | 1000 | 2x46 |
| TMA4060 | 400 | 500 | 600 | 2x23 |
| TMA4080 | 400 | 700 | 800 | 2x33 |
| TMA40100 | 400 | 900 | 1000 | 2x46 |

MATERIAL: RAL 7035 rolled steel.

CHARACTERISTICS: All covers are reversible. The hinged covers have an opening of 120°.

FOR THE FOLLOWING CABINETS: FSC - ENL.

Lids for modular frame



| Reference No. | Dimensions | | For cabinet | No. of modules |
|---------------------|------------|-------|-------------|----------------|
| | HEIGHT | WIDTH | WIDTH | |
| PLAIN HINGED | | | | |
| TCA1560 | 150 | 500 | 600 | - |
| TCA1580 | 150 | 700 | 800 | - |
| TCA2060 | 200 | 500 | 600 | - |
| TCA2080 | 200 | 700 | 800 | - |
| TCA20100 | 200 | 900 | 1000 | - |
| TCA3060 | 300 | 500 | 600 | - |
| TCA3080 | 300 | 700 | 800 | - |
| TCA4060 | 400 | 500 | 600 | - |
| TCA4080 | 400 | 700 | 800 | - |
| TCA6060 | 600 | 500 | 600 | - |
| TCA6080 | 600 | 700 | 800 | - |

MATERIAL: RAL 7035 rolled steel.

CHARACTERISTICS: All covers are reversible. The hinged covers have an opening of 120°.

FOR THE FOLLOWING CABINETS: FSC - ENL.

Attachment kit + DIN rail (for modular lids)



| Reference No. | Description | For cabinet | | | No. of modules |
|---------------|-----------------------------------|-------------|--------|-------|----------------|
| | | WIDTH | HINGED | FIXED | |
| 48154 | Attachment kit + 600 mm DIN rail | 600 | 23 | 24 | |
| 48156 | Attachment kit + 800 mm DIN rail | 800 | 33 | 34 | |
| 48158 | Attachment kit + 1000 mm DIN rail | 1000 | 46 | 46 | |

MATERIAL: Galvanised steel.

CHARACTERISTICS: Consists of depth-adjustable supports plus plain DIN rail. Adjustable from 53 to 120 mm.

Other types of DIN rail can be supplied as accessories (see page 232).

FOR THE FOLLOWING CABINETS: FSC - ENL.

Vertical trunking support kit



| Reference No. | Description | For cabinet | | No. modules |
|---------------|---------------------------------------------|-------------|--|-------------|
| | | WIDTH | | |
| 49366 | Vertical trunking support + 600 mm DIN rail | 600 | | 18 |
| 49367 | Vertical trunking support + 800 mm DIN rail | 800 | | 28 |

MATERIAL: Galvanised steel.

CHARACTERISTICS: Supports for fixing cable distribution trunking vertically.

Housing for vertical trunking up to 60x60 mm.

Vertical and horizontal trunking supports can be linked together.

It comprises supports plus plain 35x15 mm DIN rail.

FOR THE FOLLOWING CABINETS: FSC - ENL.

Horizontal trunking support kit



| Reference No. | Description |
|---------------|--------------------------------------------|
| 49368 | Horizontal trunking support (2-piece pack) |

MATERIAL: ABS RAL 7035.

CHARACTERISTICS: Supports for fixing cable distribution trunking horizontally.

Two horizontal trunking fixing positions for separation between 150 or 200 mm DIN rails.

Vertical and horizontal trunking supports can be linked together.

SUPPLY: Pack of 2 supports plus fixing screws.

FOR THE FOLLOWING CABINETS: FSC - ENL.

ARGENTA PLUS

IP55-IP65 steel floor-standing cabinets accessories

Corner module



| Reference No. | Dimensions | For corners | |
|-------------------|-------------------------------|-------------|---------|
| | | DEPTH 1 | DEPTH 2 |
| | HEIGHT X WIDTH X DEPTH | | |
| ESQ1804040 | 1800x400x400 | 400x400 | - |
| ESQ1804050 | 1800x400x500 | 400x500 | 500x400 |
| ESQ1804060 | 1800x400x600 | 400x600 | 600x400 |
| ESQ1805050 | 1800x500x500 | 500x500 | - |
| ESQ1805060 | 1800x500x600 | 500x600 | 600x500 |
| ESQ1806060 | 1800x600x600 | 600x600 | - |
| ESQ1806080 | 1800x600x800 | 600x800 | 800x600 |
| ESQ2004040 | 2000x400x400 | 400x400 | - |
| ESQ2004050 | 2000x400x500 | 400x500 | 500x400 |
| ESQ2004060 | 2000x400x600 | 400x600 | 600x400 |
| ESQ2004080 | 2000x400x800 | 400x800 | 800x400 |
| ESQ2005050 | 2000x500x500 | 500x500 | - |
| ESQ2005060 | 2000x500x600 | 500x600 | 600x500 |
| ESQ2005080 | 2000x500x800 | 500x800 | 800x500 |
| ESQ2006050 | 2000x600x500 | 600x500 | 500x600 |
| ESQ2006060 | 2000x600x600 | 600x600 | - |
| ESQ2006080 | 2000x600x800 | 600x800 | 800x600 |
| ESQ2008080 | 2000x800x800 | 800x800 | - |

MATERIAL: Cold-rolled steel primed and painted RAL 7035.

CHARACTERISTICS: It allows you to combine cabinets in places where space is tight, by obtaining angled structures.

IP55 degree of protection.

Components: 1 structural frame, 1 top lid, 1 rear panel, adjustable cable entry covers, screws and assembly elements.

FOR THE FOLLOWING CABINETS: ENL.



Auxiliary module



| Reference No. | Dimensions | For cabinet | |
|---------------|------------------------|-------------|-------|
| WIDTH 300 MM. | HEIGHT X WIDTH X DEPTH | HEIGHT | DEPTH |
| MEX1803040 | 1800x300x400 | 1800 | 400 |
| MEX1803050 | 1800x300x500 | 1800 | 500 |
| MEX1803060 | 1800x300x600 | 1800 | 600 |
| MEX1803080 | 1800x300x800 | 1800 | 800 |
| MEX2003040 | 2000x300x400 | 2000 | 400 |
| MEX2003050 | 2000x300x500 | 2000 | 500 |
| MEX2003060 | 2000x300x600 | 2000 | 600 |
| MEX2003080 | 2000x300x800 | 2000 | 800 |
| MEX2203060 | 2200x300x600 | 2200 | 600 |
| MEX2203080 | 2200x300x800 | 2200 | 800 |
| WIDTH 400 MM. | HEIGHT X WIDTH X DEPTH | HEIGHT | DEPTH |
| MEX1804040 | 1800x400x400 | 1800 | 400 |
| MEX1804050 | 1800x400x500 | 1800 | 500 |
| MEX1804060 | 1800x400x600 | 1800 | 600 |
| MEX1804080 | 1800x400x800 | 1800 | 800 |
| MEX2004040 | 2000x400x400 | 2000 | 400 |
| MEX2004050 | 2000x400x500 | 2000 | 500 |
| MEX2004060 | 2000x400x600 | 2000 | 600 |
| MEX2004080 | 2000x400x800 | 2000 | 800 |
| MEX2204060 | 2200x400x600 | 2200 | 600 |
| MEX2204080 | 2200x400x800 | 2200 | 800 |

MATERIAL: Cold-rolled steel primed and painted RAL 7035.

CHARACTERISTICS: It allows you to set up an area inside the structure specially designed for placing busbars in the upright position or small input switches. IP55 degree of protection.

Components: 1 structural frame, 1 top lid, 1 rear panel, opaque door with standard lock, adjustable cable entry covers, and 2 lifting eyebolts.

FOR THE FOLLOWING CABINETS: ENL.

Lids for auxiliary module



| Reference No. | Dimensions | |
|-------------------------------|------------|-------|
| FIXED BLANKING COVERS 300 MM. | HEIGHT | WIDTH |
| TCF3030 | 300 | 300 |
| TCF4030 | 400 | 300 |
| TCF6030 | 600 | 300 |
| TCF16030 | 1600 | 300 |
| TCF18030 | 1800 | 300 |
| FIXED BLANKING COVERS 400 MM. | HEIGHT | WIDTH |
| TCF3040 | 300 | 400 |
| TCF4040 | 400 | 400 |
| TCF6040 | 600 | 400 |
| TCF16040 | 1600 | 400 |
| TCF18040 | 1800 | 400 |

| Reference No. | Description | Dimensions |
|-------------------|--------------------------------------------|--------------|
| UPPER-LOWER COVER | | HEIGHTXWIDTH |
| 48622 | Upper-lower cover width 300 [2-piece pack] | 50x209 |
| 48642 | Upper-lower cover width 400 [2-piece pack] | 50x309 |

MATERIAL: RAL 7035 rolled steel.

CHARACTERISTICS: They are used to close the front of the cabinet. They are available in different sizes so that the installer can divide the front and thus create partial or total openings.

FOR THE FOLLOWING CABINETS: MEX.

ARGENTA PLUS

IP55-IP65 steel floor-standing cabinets accessories

Busbar chamber



| Reference No. | Dimensions | For cabinet | |
|---------------|------------------------|-------------|-------|
| UPPER-LOWER | HEIGHT X WIDTH X DEPTH | WIDTH | DEPTH |
| CE304060 | 300x400x600 | 400 | 600 |
| CE304080 | 300x400x800 | 400 | 800 |
| CE306050 | 300x600x500 | 600 | 500 |
| CE306060 | 300x600x600 | 600 | 600 |
| CE306080 | 300x600x800 | 600 | 800 |
| CE308050 | 300x800x500 | 800 | 500 |
| CE308060 | 300x800x600 | 800 | 600 |
| CE308080 | 300x800x800 | 800 | 800 |
| CE3010050 | 300x1000x500 | 1000 | 500 |
| CE3010060 | 300x1000x600 | 1000 | 600 |
| CE3010080 | 300x1000x800 | 1000 | 800 |
| CE3012050 | 300x1200x500 | 1200 | 500 |
| CE3012060 | 300x1200x600 | 1200 | 600 |
| CE3012080 | 300x1200x800 | 1200 | 800 |

| Reference No. | Dimensions | For cabinet | |
|---------------|------------------------|-------------|-------|
| UPPER-LOWER | HEIGHT X WIDTH X DEPTH | WIDTH | DEPTH |
| CE404060 | 400x400x600 | 400 | 600 |
| CE404080 | 400x400x800 | 400 | 800 |
| CE406050 | 400x600x500 | 600 | 500 |
| CE406060 | 400x600x600 | 600 | 600 |
| CE406080 | 400x600x800 | 600 | 800 |
| CE408050 | 400x800x500 | 800 | 500 |
| CE408060 | 400x800x600 | 800 | 600 |
| CE408080 | 400x800x800 | 800 | 800 |
| CE4010050 | 400x1000x500 | 1000 | 500 |
| CE4010060 | 400x1000x600 | 1000 | 600 |
| CE4010080 | 400x1000x800 | 1000 | 800 |
| CE4012050 | 400x1200x500 | 1200 | 500 |
| CE4012060 | 400x1200x600 | 1200 | 600 |
| CE4012080 | 400x1200x800 | 1200 | 800 |



| Reference No. | Description | For cabinet |
|---------------|-----------------------------------|-------------|
| SIDE PANELS | | DEPTH |
| PLCE3050 | 300x500 side panel (2-piece pack) | 500 |
| PLCE3060 | 300x600 side panel (2-piece pack) | 600 |
| PLCE3080 | 300x800 side panel (2-piece pack) | 800 |
| PLCE4050 | 400x500 side panel (2-piece pack) | 500 |
| PLCE4060 | 400x600 side panel (2-piece pack) | 600 |
| PLCE4080 | 400x800 side panel (2-piece pack) | 800 |

MATERIAL: Cold-rolled steel primed and painted RAL 7035.

CHARACTERISTICS: Used to place busbars outside the main cabinet.

It can be placed at the top or the bottom. All components are reversible, thus guaranteeing quick and straightforward installation.

IP55 degree of protection.

Components: Welded structure comprised of profiles and corners, 2 panels + 4 supports (front + side), and cabinet combination kit 48112.

In order to obtain the complete set, you must request the CE busbar chamber plus PLCE side panels, depending on the depth of the cabinet.

FOR THE FOLLOWING CABINETS: ENL.

Swing frame for 19" rack



| Reference No. | Assembly units | For cabinet | |
|-----------------|----------------|-------------|-------|
| | | HEIGHT | WIDTH |
| BP19/36U | 36 U | 1800 | 800 |
| BP19/40U | 40 U | 2000 | 800 |
| BP19/45U | 45 U | 2200 | 800 |

MATERIAL: Cabinet in RAL 7035 rolled steel; frame in galvanised steel.

CHARACTERISTICS: 19" swing frame; reversible with possibility of right or left opening. Maximum opening of 180°.

Retainer to keep the frame in the open position.

Axis-hinge system to ensure the stability of the swing frame when fully loaded.

Frames supplied with pressure insert lock. Possibility of fitting other inserts available as accessories.

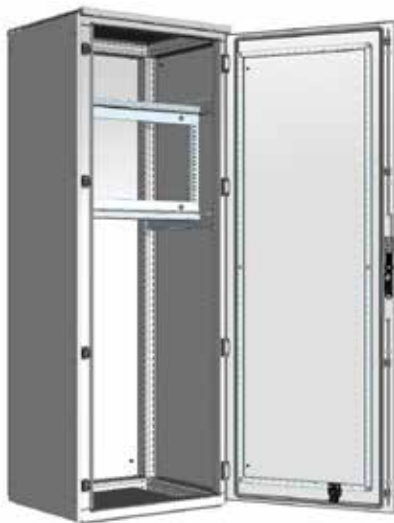
Maximum load: 100 kg.

These references will be supplied assembled in the correspondent cabinet.

The complete Cabinet + frame set can be ordered (see ENLBP references on page 153).

FOR THE FOLLOWING CABINETS: ENL.

Partial swing frame for 19" rack



| Reference No. | Assembly units | WIDTH |
|------------------|----------------|-------|
| | | |
| BPP19/6U | 6 U | 600 |
| BPP19/9U | 9 U | 600 |
| BPP19/12U | 12 U | 600 |
| BPP19/15U | 15 U | 600 |
| BPP19/18U | 18 U | 600 |

MATERIAL: Rolled and galvanised steel.

CHARACTERISTICS: For mounting in combinable cabinets with a width of 600 mm.

It includes a swing frame and two upper and lower exterior profiles on which it is mounted.

For its complete installation, it is necessary to request two packs of reinforced interior mounting profiles of the depth of the cabinet where it is to be installed. (See page 157).

FOR THE FOLLOWING CABINETS: ENL.

ARGENTA PLUS

IP55-IP65 steel floor-standing cabinets accessories

Fixed frame for 19" rack



| Reference No. | Assembly units | For cabinet | |
|-----------------------------|----------------|-------------|---------|
| | | HEIGHT | WIDTH |
| FIXED FRAME PROFILES | | | |
| BF19/38U | 38 U | 1800 | 600/800 |
| BF19/42U | 42 U | 2000 | 600/800 |
| BF19/47U | 47 U | 2200 | 600/800 |

MATERIAL: Galvanised steel.

CHARACTERISTICS: Highly resistant triple-fold profiles. With cut-outs for 19" devices on both sides, on the front and the side of the cabinet.

For assembly, PME-type profiles should be ordered depending on the type of application and assembly (see page 156).

3 units of the Ref. SB19 must be ordered for the cabinets with a width of 800 mm.

It is recommended to place a PME800 profile at the bottom of the structure in cases where the frame is going to support high loads.

SUPPLY: 2-profile pack.

| Reference No. | Description |
|-----------------------|---------------------------------------------------|
| FIXING BRACKET | |
| SBF19 | Fixing bracket for fixed 19" frame (2-piece pack) |



MATERIAL: Galvanised steel.

CHARACTERISTICS: Highly rigid and resistant brackets. The finishing lids can be clipped onto them.

Order only for cabinets with a width of 800 mm.

SUPPLY: 2-bracket pack.

| Reference No. | Description |
|-----------------------|--------------------------------------|
| FINISHING LIDS | |
| EBF19/38U | 19" finishing lid 38U (4-piece pack) |
| EBF19/42U | 19" finishing lid 42U (4-piece pack) |
| EBF19/47U | 19" finishing lid 47U (4-piece pack) |



MATERIAL: RAL 7035 rolled steel.

CHARACTERISTICS: Finishing lids to conceal wiring on side spaces.

They are secured to the profile supports with clips.

Order only for cabinets with a width of 800 mm.

SUPPLY: 4-lid pack.

FOR THE FOLLOWING CABINETS: ENL.



IP55 combinable cabinets with swing frame



| Reference No. | Dimensions HEIGHT X WIDTH X DEPTH | Cable entry WIDTH X DEPTH | Assembly units | Glass door with transparent panel |
|--------------------|--------------------------------------|------------------------------|----------------|-----------------------------------|
| | | | | H X W |
| ENLBP1808060PT/SP | 1800x800x600 | 570x510 | 36 U | 1586x420 |
| ENLBP1808080PT/SP | 1800x800x800 | 570x710 | 36 U | 1586x420 |
| ENLBP18010060PT/SP | 1800x1000x600 | 770x510 | 36 U | 1586x420 |
| ENLBP18010080PT/SP | 1800x1000x800 | 770x710 | 36 U | 1586x420 |
| ENLBP2008060PT/SP | 2000x800x600 | 570x510 | 40 U | 1786x420 |
| ENLBP2008080PT/SP | 2000x800x800 | 570x710 | 40 U | 1786x420 |
| ENLBP20010060PT/SP | 2000x1000x600 | 770x510 | 40 U | 1786x420 |
| ENLBP20010080PT/SP | 2000x1000x800 | 770x710 | 40 U | 1786x420 |
| ENLBP2208060PT/SP | 2200x800x600 | 570x510 | 45 U | 1986x420 |
| ENLBP2208080PT/SP | 2200x800x800 | 570x710 | 45 U | 1986x420 |

MATERIAL: Cabinet in rolled steel coated with primer and painted RAL 7035. Frame in galvanised steel.

CHARACTERISTICS: 19" swing frame; reversible with possibility of right or left opening. Maximum opening of 180°.

Retainer to keep the frame in the open position.

Axis-hinge system to ensure the stability of the swing frame when fully loaded.

Asymmetrical transparent door.

Door supplied with 4-point lock and frame supplied with pressure insert lock. Possibility of fitting other inserts available as accessories.

Maximum load: 100 kg.

Degree of protection: IP55 / NEMA 1, 12.

SUPPLY: Cabinet, frame, side panels, cable entry lids and 2 lifting eyebolts.

The set does not include plinth or mounting plate. In case of being requested, the plate will be supplied attached to the outside of the cabinet on the same pallet.

Cabinets supplied on pallets, protected with honeycomb cardboard corner pieces and shrink-wrap film.

FOR THE FOLLOWING CABINETS: ENL.



ARGENTA PLUS

IP55-IP65 steel floor-standing cabinets accessories

Lids for 19" rack



| Reference No. | Assembly units |
|------------------------|----------------|
| BLANKING COVERS | |
| TCB1U | 1 U |
| TCB2U | 2 U |
| TCB3U | 3 U |
| TCB4U | 4 U |
| TCB6U | 6 U |
| TCB9U | 9 U |
| TCB10U | 10 U |
| TCB12U | 12 U |

| Reference No. | Assembly units | No. of modules |
|--------------------|----------------|----------------|
| MODULAR LID | | |
| TMB3U | 3 U | 24 |

MATERIAL: RAL 7035 rolled steel.

CHARACTERISTICS: TMB3U cover includes DIN-rail.

FOR THE FOLLOWING CABINETS: ENL with fixed or swing frame.

Fixed trays for 19" rack



| Reference No. | Description | Max. Load | Assembly units |
|---------------|------------------------------|-----------|----------------|
| BNF19-1/2U | Adjustable tray L=400/600 mm | 100 kg | 1/2 U |
| BNF19-1U/200 | Fixed tray L=200 mm | 20 kg | 1 U |
| BNF19-2U/250 | Fixed tray L=250 mm | 20 kg | 2 U |
| BNF19-2U/400 | Fixed tray L=400 mm | 20 kg | 2 U |

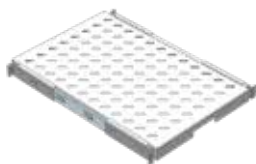
MATERIAL: Galvanised steel.

CHARACTERISTICS: Fixed or depth-adjustable trays.

All the screws required for assembly are included.

FOR THE FOLLOWING CABINETS: ENL with fixed or swing frame.

Removable trays for 19" rack



| Reference No. | Dimensions | For cabinet | Max. Load | Guide length |
|---------------|--------------------|-------------|-----------|--------------|
| | HEIGHTXWIDTHXDEPTH | | | |
| BNE19/6060 | 45x415x450 | 600x600 | 51 | 400 |
| BNE19/6080 | 45x415x650 | 600x800 | 44 | 600 |

MATERIAL: Cold-rolled steel painted RAL 7035.

CHARACTERISTICS: It includes two telescopic guides and four supports to fix the guides to the cabinet structure.

FOR THE FOLLOWING CABINETS: ENL with a rack 19".

Ventilated plinths Corner pieces and front covers



| Reference No. | Dimensions | For cabinet |
|-----------------------|------------|-------------|
| | HEIGHT | |
| 200-MM PLINTHS | | |
| ZCLV2040 | 200 | 400 |
| ZCLV2050 | 200 | 500 |
| ZCLV2060 | 200 | 600 |
| ZCLV2080 | 200 | 800 |
| ZCLV20100 | 200 | 1000 |
| ZCLV20120 | 200 | 1200 |

MATERIAL: Cold rolled steel primed and painted RAL 7016.

CHARACTERISTICS: Set consisting of two covers, front and rear, and four corner pieces. They have grilles to promote the natural ventilation of the cabinet.

To obtain the complete set, you must order the side covers for plinth (see page 155).

For 1600-mm wide cabinets, two 800-mm wide plinths should be ordered.

FOR THE FOLLOWING CABINETS: FSC - ENL - BIG.

Plinths

Corner pieces and front covers



| Reference No. | Dimensions | For cabinet |
|-----------------------|---------------|--------------|
| 100-MM PLINTHS | | |
| | HEIGHT | WIDTH |
| ZCL1030 | 100 | 300 |
| ZCL1040 | 100 | 400 |
| ZCL1050 | 100 | 500 |
| ZCL1060 | 100 | 600 |
| ZCL1080 | 100 | 800 |
| ZCL10100 | 100 | 1000 |
| ZCL10120 | 100 | 1200 |
| ZCL10160 | 100 | 1600 |

| | | |
|-----------------------|---------------|--------------|
| 200-MM PLINTHS | | |
| | HEIGHT | WIDTH |
| ZCL2030 | 200 | 300 |
| ZCL2040 | 200 | 400 |
| ZCL2050 | 200 | 500 |
| ZCL2060 | 200 | 600 |
| ZCL2080 | 200 | 800 |
| ZCL20100 | 200 | 1000 |
| ZCL20120 | 200 | 1200 |
| ZCL20160 | 200 | 1600 |



| | | |
|----------------------------------------------|---------------|--------------|
| 200-MM PLINTHS (100 + 100 COVERS) | | |
| | HEIGHT | WIDTH |
| ZCL2T1040 | 100+100 | 400 |
| ZCL2T1050 | 100+100 | 500 |
| ZCL2T1060 | 100+100 | 600 |
| ZCL2T1080 | 100+100 | 800 |
| ZCL2T10100 | 100+100 | 1000 |
| ZCL2T10120 | 100+100 | 1200 |

MATERIAL: Cold rolled steel primed and painted RAL 7016.

CHARACTERISTICS: Set consisting of two covers, front and rear, and four corner pieces. To obtain the complete set, you must order the side covers for plinth.

Available in two heights, 100 and 200 mm.

The 200-mm plinth is also supplied as 100 + 100 covers.

FOR THE FOLLOWING CABINETS: FSC - ENL - BIG.

Side covers for plinth



| Reference No. | Dimensions | For cabinet |
|-----------------------|---------------|--------------|
| 100-MM PLINTHS | | |
| | HEIGHT | DEPTH |
| TLZCL1040 | 100 | 400 |
| TLZCL1050 | 100 | 500 |
| TLZCL1060 | 100 | 600 |
| TLZCL1080 | 100 | 800 |
| TLZCL10100 | 100 | 1000 |

| | | |
|-----------------------|---------------|--------------|
| 200-MM PLINTHS | | |
| | HEIGHT | DEPTH |
| TLZCL2040 | 200 | 400 |
| TLZCL2050 | 200 | 500 |
| TLZCL2060 | 200 | 600 |
| TLZCL2080 | 200 | 800 |
| TLZCL20100 | 200 | 1000 |

MATERIAL: Cold rolled steel primed and painted RAL 7016.

CHARACTERISTICS: Available in two heights, 100 and 200 mm.

Side covers should be fitted to all cabinets, even in sets of combined cabinets.

SUPPLY: Pack of 2 side covers.

FOR THE FOLLOWING CABINETS: FSC - ENL - BIG.

ARGENTA PLUS

IP55-IP65 steel floor-standing cabinets accessories

Mounting profiles



| Reference No. | For cabinet | Pack |
|-----------------------|--------------|----------|
| FOR MOD. FRAME | | |
| | DEPTH | |
| PMB400 | 400 | 2 pieces |
| PMB500 | 500 | 2 pieces |
| PMB600 | 600 | 2 pieces |
| PMB800 | 800 | 2 pieces |
| PMB1000 | 1000 | 2 pieces |

MATERIAL: Galvanised steel with a thickness of 1.5 mm.

CHARACTERISTICS: Profiles for fitting to the modular frame (see page 144).

They have 14x9 rectangular cut-outs and 4.65 mm round cut-outs with a 25 mm cable pass.

SUPPLY: Pack of 2 profiles per reference with the screws needed for assembly.

FOR THE FOLLOWING CABINETS: ENL - FSC.

| Reference No. | For cabinet | Pack |
|-------------------------|----------------------|----------|
| OUTSIDE ASSEMBLY | | |
| | WIDTH / DEPTH | |
| PME400 | 400 | 2 pieces |
| PME500 | 500 | 2 pieces |
| PME600 | 600 | 2 pieces |
| PME800 | 800 | 2 pieces |
| PME1000 | 1000 | 2 pieces |
| PME1200 | 1200 | 2 pieces |
| | HEIGHT | |
| PME1650 | 1650 | 2 pieces |
| PME1800 | 1800 | 2 pieces |
| PME2000 | 2000 | 2 pieces |

MATERIAL: Galvanised steel with a thickness of 1.5 mm.

CHARACTERISTICS: They are fitted on the outer side of the cabinet structure.

They have 14x9 rectangular cut-outs and 4.65 mm round cut-outs with a 25 mm cable pass.

Maximum load: Profiles from 400 to 1200: 210 kg. Profiles from 1650 to 2000: 150 kg.

SUPPLY: Pack of 2 profiles per reference with the screws needed for assembly.

FOR THE FOLLOWING CABINETS: FSC - ENL.

| Reference No. | For cabinet | Pack |
|------------------------------------|----------------------|----------|
| REINFORCED OUTSIDE ASSEMBLY | | |
| | WIDTH / DEPTH | |
| PMER400 | 400 | 2 pieces |
| PMER500 | 500 | 2 pieces |
| PMER600 | 600 | 2 pieces |
| PMER800 | 800 | 2 pieces |
| PMER1000 | 1000 | 2 pieces |
| PMER1200 | 1200 | 2 pieces |
| PMER1600 | 1600 | 2 pieces |

MATERIAL: Galvanised steel with a thickness of 2 mm.

CHARACTERISTICS: They are fitted on the outer side of the cabinet structure. They have 4.65 mm round cut-outs with a 12.5 mm cable pass.

SUPPLY: Pack of 2 profiles per reference with the screws needed for assembly.

FOR THE FOLLOWING CABINETS: FSC - ENL.

Mounting profiles



| Reference No. | For cabinet | Pack |
|--------------------------------|-------------|----------|
| OUTSIDE SIMPLE ASSEMBLY | | |
| WIDTH / DEPTH | | |
| PMES400 | 400 | 2 pieces |
| PMES500 | 500 | 2 pieces |
| PMES600 | 600 | 2 pieces |
| PMES800 | 800 | 2 pieces |
| PMES1000 | 1000 | 2 pieces |

MATERIAL: Galvanised steel with a thickness of 1,5 mm.

CHARACTERISTICS: They are fitted on the outer side of the cabinet structure. They have 4.65 mm round cut-outs with a 12.5 mm cable pass.

SUPPLY: Pack of 2 profiles per reference with the screws needed for assembly.

FOR THE FOLLOWING CABINETS: FSC - ENL.

| Reference No. | For cabinet | Pack |
|--------------------------|-------------|----------|
| INTERIOR ASSEMBLY | | |
| WIDTH / DEPTH | | |
| PMI400 | 400 | 2 pieces |
| PMI500 | 500 | 2 pieces |
| PMI600 | 600 | 2 pieces |
| PMI800 | 800 | 2 pieces |
| PMI1000 | 1000 | 2 pieces |
| PMI1200 | 1200 | 2 pieces |
| HEIGHT | | |
| PMI1650 | 1650 | 2 pieces |
| PMI1800 | 1800 | 2 pieces |
| PMI2000 | 2000 | 2 pieces |

MATERIAL: 1.5-mm thick galvanised steel.

CHARACTERISTICS: They are fitted on the inner side of the cabinet structure.

Maximum load: Profiles from 400 to 1200: 210 kg. Profiles from 1650 to 2000: 150 kg.

They have 14x9 rectangular cut-outs and 4.65 mm round cut-outs with a 25 mm cable pass.

SUPPLY: Pack of 2 profiles per reference with the screws needed for assembly.

FOR THE FOLLOWING CABINETS: ENL.

| Reference No. | For cabinet | Pack |
|-------------------------------------|-------------|----------|
| REINFORCED INTERIOR ASSEMBLY | | |
| WIDTH / DEPTH | | |
| PMIR400 | 400 | 2 pieces |
| PMIR500 | 500 | 2 pieces |
| PMIR600 | 600 | 2 pieces |
| PMIR800 | 800 | 2 pieces |
| PMIR1000 | 1000 | 2 pieces |
| PMIR1200 | 1200 | 2 pieces |
| PMIR1600 | 1600 | 2 pieces |

MATERIAL: Galvanised steel with a thickness of 2 mm.

CHARACTERISTICS: They are fitted on the inner side of the cabinet structure.

They have 4.65 mm round cut-outs with a 12.5 mm cable pass.

SUPPLY: Pack of 2 profiles per reference with the screws needed for assembly.

FOR THE FOLLOWING CABINETS: ENL.

ARGENTA PLUS

IP55-IP65 steel floor-standing cabinets accessories

Mounting profiles



| Reference No. | For cabinet | Pack |
|--------------------|-------------|--------------|
| FORK-SHAPED | | DEPTH |
| PMHR400 | 400 | 2 pieces |
| PMHR500 | 500 | 2 pieces |
| PMHR600 | 600 | 2 pieces |
| PMHR800 | 800 | 2 pieces |
| PMHR1000 | 1000 | 2 pieces |
| PMHR1200 | 1200 | 2 pieces |

MATERIAL: 2-mm thick galvanised steel.

CHARACTERISTICS: They can be used to divide the inside of the cabinet. They have 4.65 mm round cut-outs with a 25 mm cable pass.

SUPPLY: Pack of 2 profiles per reference with the screws needed for assembly.

FOR THE FOLLOWING CABINETS: ENL.



| Reference No. | For cabinet | Pack |
|---------------------------|-------------|--------------|
| INTERIOR PARTITION | | DEPTH |
| PPI400 | 400 | 2 pieces |
| PPI500 | 500 | 2 pieces |
| PPI600 | 600 | 2 pieces |
| PPI800 | 800 | 2 pieces |

MATERIAL: Galvanised steel.

CHARACTERISTICS: They can be used to divide the inside of the cabinet. They have 14x9 rectangular cut-outs and 4.65 mm round cut-outs with a 25 mm cable pass.

SUPPLY: Pack of 2 profiles per reference with the screws needed for assembly.

FOR THE FOLLOWING CABINETS: FSC - ENL.

Vertical uprights



| Reference No. | For cabinet | Pack |
|--------------------------------|-------------|---------------|
| VERTICAL UPRIGHTS (BIG) | | HEIGHT |
| PVB1650 | 1650 | 4 pieces |
| PVB1800 | 1800 | 4 pieces |
| PVB2000 | 2000 | 4 pieces |

MATERIAL: Galvanised steel.

CHARACTERISTICS: They are fitted vertically in BIG-type cabinets, allowing the installation of profiles in depth. They have Ø5-mm cut-outs with a distance of 12.5 mm.

SUPPLY: 4-profile pack per reference with the screws needed for assembly.

FOR THE FOLLOWING CABINETS: BIG.

Assembly profiles for doors



| Reference No. | For door | Pack |
|--------------------------|----------|--------------|
| ASSEMBLY PROFILES | | WIDTH |
| PPAP600 | 600 | 1 piece |
| PPAP800 | 800 | 1 piece |
| PPAP800X | 800 | 1 piece |
| PPAP1000 | 1000 | 1 piece |
| PPAP1000X | 1000 | 1 piece |

MATERIAL: Galvanised steel.

CHARACTERISTICS: Profile for fitting horizontally to the door profiles.

Assembly screws not included. References PPAPX only for stainless steel cabinets.

SUPPLY: 1-piece pack.

FOR THE FOLLOWING CABINETS: FSC - ENL - BIG.

Swing tray



Reference No. Description

48776 Swing tray for PC 423x350 mm

MATERIAL: Galvanised steel.

CHARACTERISTICS: Tray that is fixed to the cabinet door in order to install equipment.

For cabinets with a width of 800 mm and 1000 mm, 2 PPAP800 or PPAP1000 profiles must be ordered (see references on page 158). Max. Load: 12 kg.

FOR THE FOLLOWING CABINETS: FSC - ENL - BIG.

Fixed trays



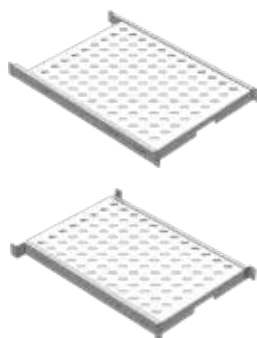
| Reference No. | Dimensions | For cabinets | |
|----------------|------------|--------------|-------|
| | | WIDTH | DEPTH |
| BNF6040 | 600x320 | 600 | 400 |
| BNF6060 | 600x520 | 600 | 600 |
| BNF6080 | 600x720 | 600 | 800 |
| BNF8040 | 800x320 | 800 | 400 |
| BNF8060 | 800x520 | 800 | 600 |
| BNF8080 | 800x720 | 800 | 800 |

MATERIAL: Galvanised steel.

CHARACTERISTICS: A set of PME profiles must be ordered to install them (see page 156). Max. Load: 100 kg.

FOR THE FOLLOWING CABINETS: FSC - ENL.

Removable trays



| Reference No. | Dimensions | For cabinets | Max. load | Guide length |
|--------------------|------------|--------------|-----------|--------------|
| | | | | |
| BNE6060 | 45x480x450 | 600x600 | 51 | 400 |
| BNE6080 | 45x480x650 | 600x800 | 44 | 600 |
| BNE6060/BTM | 45x405x450 | 600x600 | 51 | 400 |
| BNE6080/BTM | 45x405x650 | 600x800 | 44 | 600 |

MATERIAL: Cold rolled steel sheet painted RAL 7035.

CHARACTERISTICS: It includes two telescopic guides and four supports to fix the guides to the cabinet structure.

Ref. BNE for cabinets BIG-FSC-ENL.

Ref. BNE/BTM for cabinets with a modular frame.

ARGENTA PLUS

IP55-IP65 steel floor-standing cabinets accessories

Spare doors



| Reference No. | For cabinet | |
|--------------------|-------------|-------|
| SINGLE OPAQUE | HEIGHT | WIDTH |
| PO16560 | 1650 | 600 |
| PO16580 | 1650 | 800 |
| PO165100 | 1650 | 1000 |
| PO18030 | 1800 | 300 |
| PO18040 | 1800 | 400 |
| PO18060 | 1800 | 600 |
| PO18080 | 1800 | 800 |
| PO180100 | 1800 | 1000 |
| PO20030 | 2000 | 300 |
| PO20040 | 2000 | 400 |
| PO20060 | 2000 | 600 |
| PO20080 | 2000 | 800 |
| PO200100 | 2000 | 1000 |
| PO22030 | 2200 | 300 |
| PO22040 | 2200 | 400 |
| PO22060 | 2200 | 600 |
| PO22080 | 2200 | 800 |
| SINGLE TRANSPARENT | HEIGHT | WIDTH |
| PT16560 | 1650 | 600 |
| PT16580 | 1650 | 800 |
| PT18060 | 1800 | 600 |
| PT18080 | 1800 | 800 |
| PT20060 | 2000 | 600 |
| PT20080 | 2000 | 800 |
| PT200100 | 2000 | 1000 |
| PT22080 | 2200 | 800 |

MATERIAL: Opaque doors: Cold rolled steel with a thickness of 2 mm, primed and painted RAL 7035.

Transparent doors: 4-mm thick tempered glass.

CHARACTERISTICS: Doors with 120° opening, reversible.

They feature a 4-point lock, double-bit insert with retractable handle in RAL 7016 grey.

They include a pack of hinges and a door retainer.

FOR THE FOLLOWING CABINETS: FSC - ENL - BIG.



| Reference No. | For cabinet | |
|--------------------|-------------|-------|
| DOUBLE OPAQUE SYM. | HEIGHT | WIDTH |
| PODCS165100 | 1650 | 1000 |
| PODCS165120 | 1650 | 1200 |
| PODCS180100 | 1800 | 1000 |
| PODCS180120 | 1800 | 1200 |
| PODCS180160 | 1800 | 1600 |
| PODCS200100 | 2000 | 1000 |
| PODCS200120 | 2000 | 1200 |
| PODCS200160 | 2000 | 1600 |

MATERIAL: Cold rolled steel with a thickness of 2 mm, primed and painted RAL 7035.

CHARACTERISTICS: Two doors per reference are supplied.

Doors with 120° opening, reversible.

They include a pack of hinges.

They include double lock; Interior: 2-point ¼ turn. Exterior: 3-point double-bit insert with retractable handle in RAL 7016 grey.

Opaque door 1000-mm width: PO500+PO500.

Opaque door 1200-mm width: PO600+PO600.

Opaque door 1600-mm width: PO800+PO800.

FOR THE FOLLOWING CABINETS: FSC - ENL - BIG.

Spare doors



| Reference No. | For cabinet | |
|-----------------------------|-------------|-------|
| DOUBLE TRANSP. ASYMMETRICAL | HEIGHT | WIDTH |
| PTDCA165100 | 1650 | 1000 |
| PTDCA165120 | 1650 | 1200 |
| PTDCA180100 | 1800 | 1000 |
| PTDCA180120 | 1800 | 1200 |
| PTDCA200100 | 2000 | 1000 |
| PTDCA200120 | 2000 | 1200 |
| PTDCA220100 | 2200 | 1000 |
| PTDCA220120 | 2200 | 1200 |

| Reference No. | For cabinet | |
|----------------------------|-------------|-------|
| DOUBLE TRANSP. SYMMETRICAL | HEIGHT | WIDTH |
| PTDCS165100 | 1650 | 1000 |
| PTDCS165120 | 1650 | 1200 |
| PTDCS180100 | 1800 | 1000 |
| PTDCS180120 | 1800 | 1200 |
| PTDCS200100 | 2000 | 1000 |
| PTDCS200120 | 2000 | 1200 |
| PTDCS220100 | 2200 | 1000 |
| PTDCS220120 | 2200 | 1200 |

MATERIAL: Transparent door: 4-mm thick tempered glass.

Fixed opaque door: Cold rolled steel primed and painted RAL 7035.

CHARACTERISTICS: Each reference includes 2 doors. Doors with 120° opening, reversible. They feature double lock: interior 2 points 1/4 turn and exterior 3-point double-bit insert with retractable handle in RAL 7016.

They include a pack of hinges.

Asymmetrical transparent door 1000-mm width: PT600+PO400.

Asymmetrical transparent door 1200-mm width: PT800+PO400.

FOR THE FOLLOWING CABINETS: FSC - ENL - BIG.



| Reference No. | For cabinet | |
|---------------|-------------|-------|
| INNER | HEIGHT | WIDTH |
| PIN16560 | 1650 | 600 |
| PIN16580 | 1650 | 800 |
| PIN165100 | 1650 | 1000 |
| PIN18040 | 1800 | 400 |
| PIN18060 | 1800 | 600 |
| PIN18080 | 1800 | 800 |
| PIN180100 | 1800 | 1000 |
| PIN20040 | 2000 | 400 |
| PIN20060 | 2000 | 600 |
| PIN20080 | 2000 | 800 |
| PIN200100 | 2000 | 1000 |
| PIN22060 | 2200 | 600 |
| PIN22080 | 2200 | 800 |

MATERIAL: Cold rolled steel, painted RAL 7035, with a thickness of 2 mm.

CHARACTERISTICS: Opaque inner doors.

Doors with 120° opening, reversible.

Features 2 double-bit 5-mm locks.

FOR THE FOLLOWING CABINETS: BIG - FSC - ENL.

ARGENTA PLUS

IP55-IP65 steel floor-standing cabinets accessories

Interlocking and actuation systems for doors



| Reference No. | Description |
|---------------|-------------|
|---------------|-------------|

ACTUATION

| | |
|-------|----------------------------------------------|
| 48515 | Main cabinet interlocking and actuation lock |
|-------|----------------------------------------------|

CHARACTERISTICS: Only for opaque-door cabinets.

| Reference No. | For cabinet |
|---------------|-------------|
|---------------|-------------|

| INTERLOCKING KIT | WIDTH |
|------------------|-------|
|------------------|-------|

| | |
|----------|-----|
| 48559(*) | 400 |
|----------|-----|

| | |
|-------|-----|
| 48516 | 600 |
|-------|-----|

| | |
|-------|-----|
| 48517 | 800 |
|-------|-----|

| | |
|-------|------|
| 48518 | 1000 |
|-------|------|

| | |
|-------|------|
| 48519 | 1200 |
|-------|------|

MATERIAL: Mechanism in galvanised steel.

Actuation handle: Black ABS.

CHARACTERISTICS: It has a security function which forces the system into the position in which the secondary enclosures are locked in order to lock the main door.

It is activated by manual operation, preventing the opening of the secondary enclosures connected to one another by runner rods.

Two references must be ordered to obtain the interlocking and actuation system; actuation (48515) and interlock, depending on the width of the cabinet.

* Inner profiles for doors must be ordered for doors with a width of 400 mm. [See page 163].

FOR THE FOLLOWING CABINETS: ENL.

Lock with handle



Ref. 48522

Ref. 48523

| Reference No. | Description |
|---------------|-------------|
|---------------|-------------|

| | |
|-------|------------------------------------------------|
| 48522 | 1/4 turn lock + RAL 7016 handle (without rods) |
|-------|------------------------------------------------|

| | |
|-------|---------------------------------------------------|
| 48523 | Lock for padlock + RAL 7016 handle (without rods) |
|-------|---------------------------------------------------|

CHARACTERISTICS: Reference 48522: 4-point lock, double-bit insert with retractable handle in RAL7016 grey. 5-mm double-bit key in zamak not included (Ref. 48460).

Reference 48523: Padlock not included.

These references do not include the inside lock plus rods, which must be ordered separately, depending on the height of the cabinet.

FOR THE FOLLOWING CABINETS: BIG - FSC - ENL.

Inserts for lock with handle



Ref. 48463

Ref. 48464

Ref. 48465

| Reference No. | Description |
|---------------|-------------|
|---------------|-------------|

| | |
|-------|---------------------------------------------|
| 48541 | Triangular insert lock + triangular key 6.5 |
|-------|---------------------------------------------|

| | |
|-------|-------------------------------------------|
| 48463 | Triangular insert lock + triangular key 8 |
|-------|-------------------------------------------|

| | |
|-------|------------------------------|
| 48464 | Keyless pressure insert lock |
|-------|------------------------------|

| | |
|-------|----------------------------------------|
| 48465 | Security insert lock with key code 333 |
|-------|----------------------------------------|

| | |
|-------|----------------------------------------|
| 48585 | Security insert lock with key code 405 |
|-------|----------------------------------------|

| | |
|-------|------------------------------------------|
| 48588 | Security insert lock with key code 1242E |
|-------|------------------------------------------|

Key



| Reference No. | Description |
|---------------|-------------|
|---------------|-------------|

| | |
|-------|------------------------------|
| 48460 | 5-mm double-bit key in zamak |
|-------|------------------------------|

Packs for doors



| Reference No. | Description |
|---------------|-------------|
|---------------|-------------|

INTERNAL LOCK

| | |
|-------|---------------------------------------|
| 48483 | Internal lock, double door + rod 1650 |
| 48484 | Internal lock, double door + rod 1800 |
| 48485 | Internal lock, double door + rod 2000 |

MATERIAL: Handle made of polyamide with fibreglass.

CHARACTERISTICS: 2-point ¼ turn interior lock. Rods included depending on the height of the cabinet.

FOR THE FOLLOWING CABINETS: FSC - ENL - BIG.

| Reference No. | Description |
|---------------|-------------|
|---------------|-------------|

HINGES AND RETAINERS

| | |
|-----------|------------------------------------------|
| 48626 (*) | Standard 120° hinge (4-piece pack) |
| 48482 | Lock retainer (4-piece pack) |
| 48628 | 180° right opening hinges (4-piece pack) |
| 48629 | 180° left opening hinges (4-piece pack) |

MATERIAL: Zamak. Reference No. 48626 made in stainless steel.

* For doors supplied before 1st february 2021 it is needed to order hinge Ref. No. 48461.

SUPPLY: 4-piece pack.

FOR THE FOLLOWING CABINETS: FSC - ENL - BIG.



Ref. 48626



Ref. 48482



Rods



Ref. 48565

| Reference No. | Description |
|---------------|-------------|
|---------------|-------------|

RODS FOR INNER LOCKS

| | |
|-------|-----------------------------------------------|
| 48560 | Single door rod 1650/1800 mm height |
| 48561 | Single door rod 2000/2200 mm height |
| 48562 | External double door rod 1650 mm height |
| 48563 | External double door rod 1800 mm height |
| 48564 | External double door rod 2000 mm height |
| 48565 | Rod end (4-piece pack). For double-doors only |

MATERIAL: Galvanised steel.

CHARACTERISTICS: They must be ordered for the installation of locks with handle.

FOR THE FOLLOWING CABINETS: FSC - ENL - BIG.

Retainer



| Reference No. | Description |
|---------------|-------------|
|---------------|-------------|

| | |
|-------|---------------------|
| 48466 | Door retainer L=230 |
|-------|---------------------|

MATERIAL: Galvanised steel.

CHARACTERISTICS: It stops the door when it reaches the end of its path.

FOR THE FOLLOWING CABINETS: FSC - ENL.

Inner profiles for doors



| Reference No. | For cabinet |
|---------------|-------------|
|---------------|-------------|

HEIGHT X WIDTH

| | |
|-------|----------|
| 48581 | 1650x400 |
| 48582 | 1800x400 |
| 48583 | 2000x400 |
| 48584 | 2200x400 |

MATERIAL: Galvanised steel.

CHARACTERISTICS: To be ordered only for 400 mm-width doors.

FOR THE FOLLOWING CABINETS: FSC - ENL.

ARGENTA PLUS

IP55-IP65 steel floor-standing cabinets accessories

Document pocket



Ref. 49386

Ref. 49387

| Reference No. | Description | Dimensions |
|---------------|-----------------------------------|--------------------|
| | | HEIGHTXWIDTHXDEPTH |
| 49385 | DIN A4 Insulating document pocket | 217x226x26 |
| 49386 | Metal document pocket 600 | 280x430x90 |
| 49387 | Metal document pocket 800 | 280x630x90 |

MATERIAL: RAL 7035 painted sheet steel.

CHARACTERISTICS: Fitting screws not included. Ref. 49387 only to install in single-door cabinets.

FOR THE FOLLOWING CABINETS: FSC - ENL - BIG.

Ventilated roof



| Reference No. | For cabinets | |
|---------------|--------------|-------|
| | WIDTH | DEPTH |
| TVN6040 | 600 | 400 |
| TVN6050 | 600 | 500 |
| TVN6060 | 600 | 600 |
| TVN6080 | 600 | 800 |
| TVN8040 | 800 | 400 |
| TVN8050 | 800 | 500 |
| TVN8060 | 800 | 600 |
| TVN8080 | 800 | 800 |
| TVN10040 | 1000 | 400 |
| TVN10050 | 1000 | 500 |
| TVN10060 | 1000 | 600 |
| TVN10080 | 1000 | 800 |
| TVN12040 | 1200 | 400 |
| TVN12050 | 1200 | 500 |
| TVN12060 | 1200 | 600 |
| TVN12080 | 1200 | 800 |
| TVN16040 | 1600 | 400 |
| TVN16050 | 1600 | 500 |

MATERIAL: RAL 7035 painted sheet steel.

CHARACTERISTICS: Perforated roof for natural ventilation.

It is supplied with all the elements required for installation.

FOR THE FOLLOWING CABINETS: ENL.

Roof-elevating items



| Reference No. | Description |
|---------------|-------------------------------------|
| 48152 | Roof-elevating items (4-piece pack) |

MATERIAL: Galvanised steel.

CHARACTERISTICS: They allow the roof to be raised, providing natural ventilation.

They are screwed onto the structure at the roof fixing point.

30 mm elevation.

SUPPLY: 4-piece pack.

FOR THE FOLLOWING CABINETS: ENL.

Paint



| Reference No. | Description |
|---------------|-------------|
|---------------|-------------|

| | |
|-------|-----------------------------------------|
| 48292 | RAL 7035 embossed grey paint |
| 48294 | RAL 7016 embossed grey anthracite paint |
| 48307 | Antioxidant primer |

CHARACTERISTICS: RAL 7035 paint for cabinets; RAL 7016 paint for plinths.
SUPPLY: 400 ml tin.

Module cover



| Reference No. | Description |
|---------------|-------------|
|---------------|-------------|

| | |
|-------|--------------------------------------|
| 77590 | Module lid RAL 7035 grey (6 modules) |
| 48019 | Module cover RAL 7035 grey (1 m) |

MATERIAL: 6-module cover in PS; 1-m cover in PVC.
CHARACTERISTICS: Ref. 48019 recommended for metal covers.

End of stroke switch



| Reference No. | Description |
|---------------|-------------|
|---------------|-------------|

| | |
|-------|----------------------|
| 48462 | End of stroke switch |
|-------|----------------------|

CHARACTERISTICS: Contact: NC. Extendible from 122.5 to 165.5.
 It is not compatible with a chassis or inner door assembly.
FOR THE FOLLOWING CABINETS: FSC - ENL.

Transport casters



| Reference No. | Description |
|---------------|-------------|
|---------------|-------------|

| | |
|-------|------------------------------------------|
| 48290 | 150 kg transport casters (4-caster pack) |
|-------|------------------------------------------|

MATERIAL: Enclosure: Polished aluminium alloy; Caster: Black polyamide; Threaded bolt: Yellow zinc chromate steel.
CHARACTERISTICS: Maximum load 150 kg per caster.
 Height: Caster=70 mm; Threaded bolt=M12x22.
SUPPLY: 4-wheel pack: 2 casters with brake + 2 casters without brake.
FOR THE FOLLOWING CABINETS: FSC - ENL - BIG.

Levelling feet



| Reference No. | Description |
|---------------|-------------|
|---------------|-------------|

| | |
|-------|-------------------------------------|
| 48300 | 270 kg levelling feet (4-foot pack) |
|-------|-------------------------------------|

MATERIAL: Enclosure: Black ABS; Threaded bolt: Clear zinc chromate steel.
CHARACTERISTICS: Maximum load 270 kg per foot.
 Height: Foot=25 mm; Threaded bolt=M12x26.
SUPPLY: 4-foot pack.
FOR THE FOLLOWING CABINETS: ENL - FSC - BIG.

BALTIC



IP55 Steel desks

The BALTIC desks series has an elegant and functional design, conceived to provide maximum versatility and the best possible access for the operator. Desks manufactured with high-quality cold-rolled steel with IP55 protection and IK10 maximum resistance to impact.

This series is complemented by an extensive range of accessories, including plates, profiles, plinths, etc. that deliver global solutions.

The versatility of our production processes allows us to offer customised solutions for each installation.

IP
55

CE



BALTIC Technical Specifications

- Degree of protection: IP55.
- Resistance to impact: IK10.
- Ambient temperature range: -25 °C / +40 °C.
- Maximum rated operating voltage: 1000 V AC / 1500 V DC.

BALTIC Certifications

CE

Compliant with the Low Voltage Directive 2014/35/EU.
Standards: UNE-EN 62208 and UNE-EN 61439-1
(as applicable).

BALTIC

IP55 steel desks



Product series

Standard

- **Mixed version:**
IP55 desks with control and synoptic panels.
Height: 1415 mm.
Width: 600 - 800 - 1000 - 1200 - 1600 mm.
Depth: 500 - 950 mm.

- **Compact versions:**
IP55 desks with control panel.
Height: 965 mm.
Width: 600 - 800 - 1000 - 1200 mm.
Depth: 400 - 520 mm.

IP55 desks with synoptic panel.
Height: 700 mm.
Width: 800 - 1000 - 1200 - 1600 mm.
Depth: 950 mm.

To order

- Special desks, dimensions, cut-outs, colours, etc.

Supply

- Supplied on pallets, with honeycomb cardboard corner protectors and shrink-wrap film.
- The plate can be supplied in separate packaging on request. Bag of assembly accessories included.

Intended for the industrial sector for machinery control and automation applications

Material

- Cold-rolled steel EN 10130+A1.
- Injected polyurethane sealing gasket.

Finish

- Coated with hardened RAL 7035 embossed polyester paint, with UV protection.

Protection

- Corrosion resistance according to the UNE-EN 62208 standard. For outdoor installations, the effect of corrosion must be taken into consideration.

Standard painting cycle

- **Degreasing:** Removal of remains of contaminants by means of a neutral stripper and tensoactive concentrate.
- **Rinsing:** Two rinses, the first one with mains water and the second one with demineralised water.
- **Passivation:** Thin-coat conversion agent.
- **Drying:** With hot air (in a tunnel at 100 °C).
- **Painting:** Coated with hardened RAL 7035 polyester paint.
- **Firing:** Furnace polymerisation adherence at 180 °C for 15-20 min.



Enclosure

Compact version: IP55 Control desks

- Enclosure manufactured with side panels and welded profiles, making up a single part.
- Plate thickness 1.5 mm.
- Features a fold to guarantee IP55 protection.
- The desk can be lifted by means of profiles placed on the inside, fitted with M12 nuts to which the lifting eyebolts are screwed on (Lifting pack 48475 supplied as accessory).

Mixed version: IP55 control-synoptic desks

- Enclosure manufactured with side panels and welded profiles, consisting of two parts, the top and bottom enclosure (control-synoptic).
- Enclosure connection system using M6 bolts to form a complete and compact enclosure.
- The bottom enclosure has a rubber gasket that guarantees IP55 protection between the control and synoptic connection.
- Plate thickness 1.5 mm.
- The bottom enclosure has a fold to prevent water from entering the cabinet, to guarantee IP55 protection.
- The desk can be lifted by means of profiles placed on the inside, fitted with M12 nuts to which the lifting eyebolts are screwed on (Lifting pack 48475 supplied as accessory).

Cable entry

- Exchangeable and depth-adjustable cable entry covers.
- Made from galvanised steel with a thickness of 1.5 mm.
- Three 135-mm covers for desks with a width of 600, 800 and 1000 mm.
- 2x3 135 mm covers for desks with a width of 1200 and 1600 mm with a detachable central reinforcement.

Mounting plate

- Made from galvanised steel with a thickness of 2 mm.
- Vertical mounting plates with heights of 600 and 900 mm, depth-adjustable.
- Horizontal mounting plates screwed to the enclosure profiles.
- The plates can be fitted vertically and horizontally at the same time.
- Possibility of partial plates.
- Mounting plates supplied as accessory.
- Assembly accessory bag supplied with the plate.

Door

Control and synoptic doors

- 1.5-mm-thick, 90° opening opaque doors.
- Fitted with 2 pneumatic retainers to facilitate opening and prevent the door from falling suddenly. (See maximum acceptable load in the reference table, page 170).
- Welded reinforcement profiles with cut-out holes with a separation of 25 mm for fitting ducts, DIN rails or accessories.
- Sealing gasket to guarantee IP55 protection.
- The door surface is completely free for total functionality.

Vertical doors

- 1.5-mm-thick opaque doors with 120° reversible opening.
- Concealed and removal hinges with quick-assembly and disassembly pins.
- Sealing gasket to guarantee IP55 protection.
- Front and rear doors for greater accessibility.
- Single door for desks with a width of 600, 800 and 1000 mm and double door for desks with a width of 1200 and 1600 mm.
- Welded reinforcement profiles with cut-out holes with a separation of 25 mm for fitting ducts, DIN rails or accessories.

Locks

- 5-mm double-bit hook lock.
- 2 locks per vertical door and control-synoptic door.
- For cabinets with a width of 1600 mm, the control-synoptic doors have 3 locks.
- For cabinets with a width of 1200 and 1600 mm, the vertical double doors have 3-point locks.
- The number of locks assigned to each type of cabinet guarantees the cabinet's IP55 protection.
- Other types of locks supplied as accessories.



BALTIC

IP55 steel desks

IP55 desks with control and synoptic panels

| Reference No. | Dimensions | | Doors | | | | Weight | Power dissipation according to temperature increase °C P(W)* | | | | | Max. acc. load | |
|----------------|----------------|-------|---------------|----------------|---------------------------|---------------|----------------|--------------------------------------------------------------|-------|-------|-------|--------|----------------|-------------|
| | | | Synoptic | | Vertical | | | 20 | 25 | 30 | 35 | 40 | | |
| | HEIGHT X WIDTH | DEPTH | DEPTH CONTROL | DEPTH SYNOPTIC | NO. OF DOORS VERT. HORIZ. | FRONT DOORS | REAR DOORS | KG | | | | | | HORIZ. DOOR |
| PSC600 | 1415x600 | 500 | 950 | 950 | 1 1 | 1 single door | 1 single door | 93.7 | 317.0 | 396.3 | 475.5 | 554.8 | 634.1 | 14 kg |
| PSC800 | 1415x800 | 500 | 950 | 950 | 1 1 | 1 single door | 1 single door | 107.7 | 376.0 | 470.0 | 564.0 | 658.0 | 752.0 | 13 kg |
| PSC1000 | 1415x1000 | 500 | 950 | 950 | 1 1 | 1 single door | 1 single door | 127.6 | 435.0 | 543.7 | 652.5 | 761.2 | 870.0 | 11.5 kg |
| PSC1200 | 1415x1200 | 500 | 950 | 950 | 1 1 | 1 double door | 2 double doors | 145.7 | 494.0 | 617.5 | 741.0 | 864.5 | 988.0 | 11 kg |
| PSC1600 | 1415x1600 | 500 | 950 | 950 | 1 1 | 1 double door | 2 double doors | 174.9 | 611.9 | 764.9 | 917.9 | 1070.9 | 1223.9 | 7.5 kg |

IP55 desks with control panels

| Reference No. | Dimensions | | | Doors | | Weight | Power dissipation according to temperature increase °C P(W)* | | | | | Max. acc. load | |
|------------------|----------------|---------|---------|---------------------|---------------|---------------|--------------------------------------------------------------|-------|-------|-------|-------|----------------|-------------|
| | | | | Synoptic | Vertical | | 20 | 25 | 30 | 35 | 40 | | |
| | HEIGHT X WIDTH | DEPTH 1 | DEPTH 2 | NO. OF DOORS HORIZ. | FRONT DOORS | REAR DOORS | KG | | | | | | HORIZ. DOOR |
| PC600 | 965x600 | 400 | 520 | 1 | 1 single door | 1 single door | 47.7 | 202.6 | 253.2 | 303.8 | 354.5 | 405.1 | 14 kg |
| PC800 | 965x800 | 400 | 520 | 1 | 1 single door | 1 single door | 56.2 | 244.6 | 305.7 | 366.9 | 428.0 | 489.2 | 13 kg |
| PC1000 | 965x1000 | 400 | 520 | 1 | 1 single door | 1 single door | 69.7 | 286.6 | 358.3 | 430.0 | 501.6 | 573.3 | 11.5 kg |
| PC1000/PD | 965x1000 | 400 | 520 | 1 | 1 double door | 1 double door | 71.4 | 286.6 | 358.3 | 430.0 | 501.6 | 573.3 | 11.5 kg |
| PC1200 | 965x1200 | 400 | 520 | 1 | 1 double door | 1 double door | 82.3 | 328.7 | 410.9 | 493.0 | 575.2 | 657.4 | 11 kg |

IP55 desks with synoptic panels

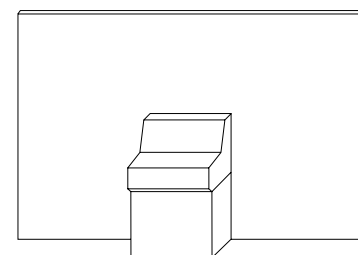
| Reference No. | Dimensions | | Doors synoptic | | Weight | Power dissipation according to temperature increase °C P(W)* | | | | | Max. acc. load | |
|---------------|----------------|----------------|----------------|------------|--------|--------------------------------------------------------------|-------|-------|--------|--------|----------------|-------------|
| | | | VERTICAL | HORIZONTAL | | 20 | 25 | 30 | 35 | 40 | | |
| | HEIGHT X WIDTH | DEPTH SYNOPTIC | | | KG | | | | | | | HORIZ. DOOR |
| PS800 | 700x800 | 950 | 1 | 1 | 75.6 | 376.0 | 470.0 | 564.0 | 658.0 | 752.0 | 13 kg | |
| PS1000 | 700x1000 | 950 | 1 | 1 | 90.3 | 435.0 | 543.7 | 652.5 | 761.2 | 870.0 | 11.5 kg | |
| PS1200 | 700x1200 | 950 | 1 | 1 | 101.5 | 494.0 | 617.5 | 741.0 | 864.5 | 988.0 | 11 kg | |
| PS1600 | 700x1600 | 950 | 1 | 1 | 120.1 | 611.9 | 764.9 | 917.9 | 1070.9 | 1223.9 | 7.5 kg | |

RAL 7035 rolled steel.

Supplied without mounting plates or plinths.

* Calculations obtained according to the CEI 890:1997 standard + Corrigendum 1998; "Method of temperature-rise assessment by extrapolation for partially type-tested assemblies (PTTA) of low-voltage switchgear and control gear".

SEE ACCESSORIES ON [PAGE 172](#).



Conceived to deliver the utmost versatility and best access by the operator





IP55 control and synoptic desks



IP55 synoptic desks



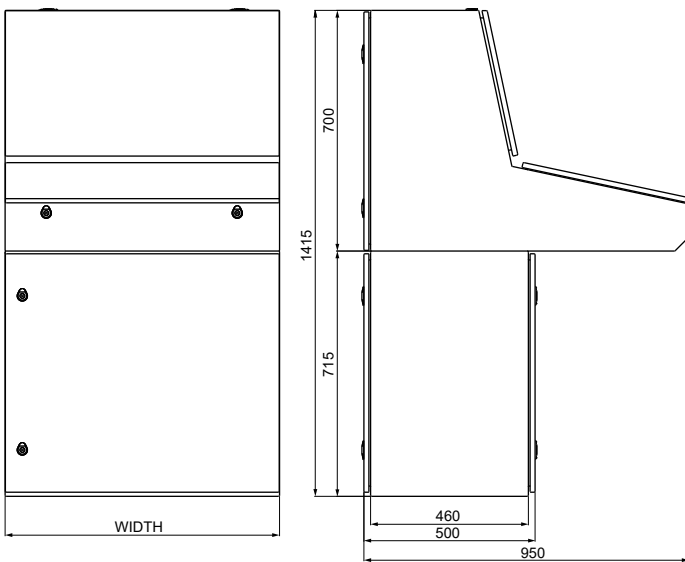
IP55 control desks



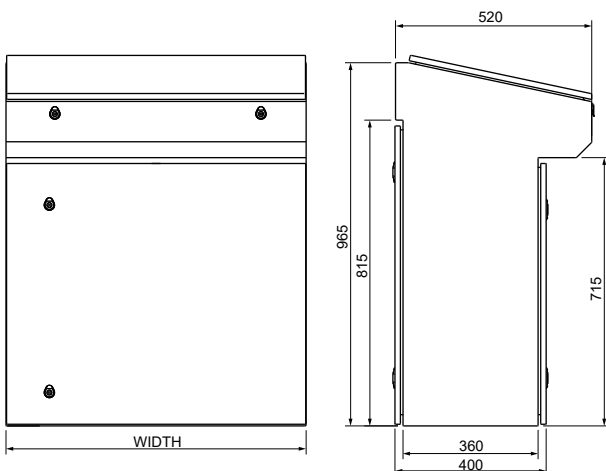
Special desks

Dimensions

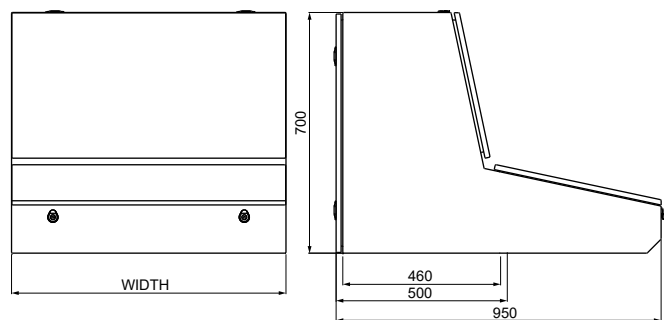
IP55 with control and synoptic panels



IP55 with control panel



IP55 with synoptic panel



BALTIC

IP55 steel desks accessories

Mounting plates



| Reference No. | Dimensions | For desk | Position | |
|-----------------------------------|-----------------------|--------------|------------|-----------|
| VERTICAL HEIGHT 600 MM | HEIGHT X WIDTH | WIDTH | PSC | PC |
| PLBA600 | 642x521 | 600 | B-C-E | F |
| PLBA800 | 642x721 | 800 | B-C-E | F |
| PLBA1000 | 642x921 | 1000 | B-C-E | F |
| PLBA1200 | 642x1121 | 1200 | B-C-E | F |
| PLBA1600 | 642x1521 | 1600 | B-C-E | F |

| Reference No. | Dimensions | For desk | Position | |
|-----------------------------------|-----------------------|--------------|------------|-----------|
| VERTICAL HEIGHT 900 MM | HEIGHT X WIDTH | WIDTH | PSC | PC |
| PLBI600 | 900x521 | 600 | - | H |
| PLBI800 | 900x721 | 800 | - | H |
| PLBI1000 | 900x921 | 1000 | - | H |
| PLBI1200 | 900x1121 | 1200 | - | H |
| PLBI1600 | 900x1521 | 1600 | - | H |

| Reference No. | Dimensions | For desk | Position | |
|-------------------------------------|-----------------------|--------------|------------|-----------|
| HORIZONTAL HEIGHT 400 MM | HEIGHT X WIDTH | WIDTH | PSC | PC |
| PLBE600 | 394x521 | 600 | D | G |
| PLBE800 | 394x721 | 800 | D | G |
| PLBE1000 | 394x921 | 1000 | D | G |
| PLBE1200 | 394x1121 | 1200 | D | G |
| PLBE1600 | 394x1521 | 1600 | D | G |

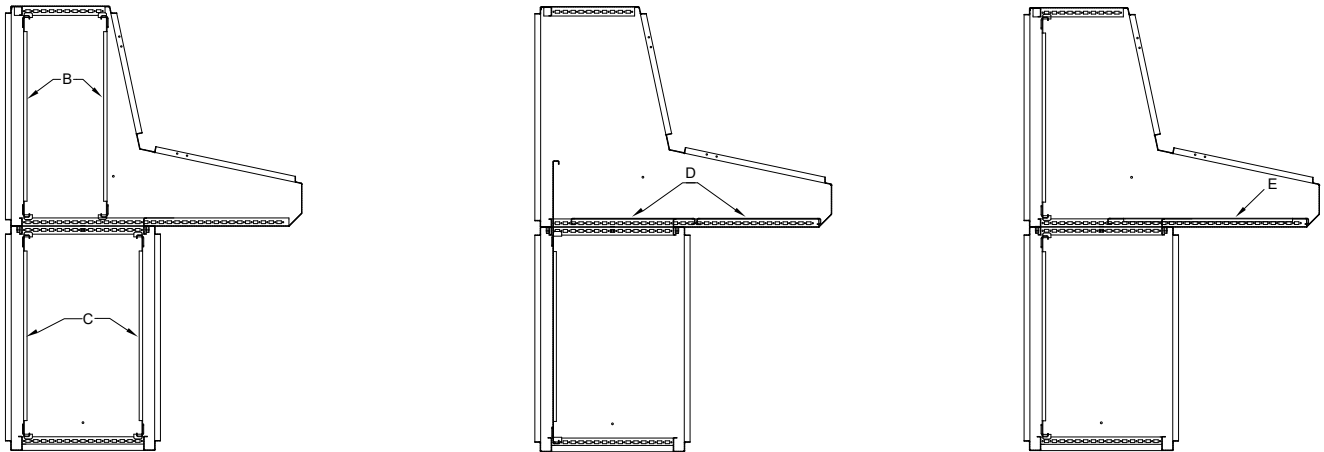
MATERIAL: Plain mounting plate in 2-mm thick galvanized steel.

CHARACTERISTICS: Bag of assembly accessories included.

FOR THE FOLLOWING DESKS: PSC - PC - PS.



Desks with control and synoptic panel



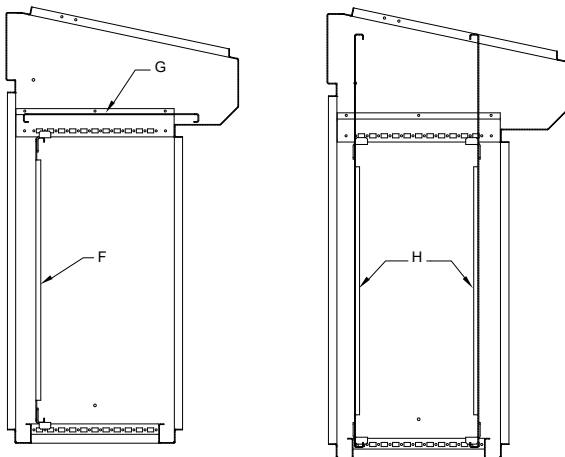
Possibility of plate mounting for desks with control and synoptic panels

- At the top of part B.
- At the bottom of part C.
- On the control module D.

These desks can be combined in several ways with the mounting plates:

- One plate at the bottom and another at the top.
- Two partial plates, back-to-back, at the bottom.
- One mounting plate on the base of the control module.

Desks with control panel



Possibility of plate mounting on desks with control panel

- Desk with horizontal panel on the front.
- The depth of the mounting plates can be adjusted in increments of 12.5 mm as standard.

BALTIC

IP55 steel desks accessories

Plinths

Corner pieces and front covers



| Reference No. | Dimensions | For desk |
|--------------------------------------------|---------------|--------------|
| 100-MM PLINTHS | | |
| | HEIGHT | WIDTH |
| ZCL1060 | 100 | 600 |
| ZCL1080 | 100 | 800 /1600 |
| ZCL10100 | 100 | 1000 |
| ZCL10120 | 100 | 1200 |
| ZCL10160 | 100 | 1600 |
| 200-MM PLINTHS | | |
| | HEIGHT | WIDTH |
| ZCL2060 | 200 | 600 |
| ZCL2080 | 200 | 800 /1600 |
| ZCL20100 | 200 | 1000 |
| ZCL20120 | 200 | 1200 |
| ZCL20160 | 200 | 1600 |
| 200-MM PLINTHS 100 + 100 COVERS | | |
| | HEIGHT | WIDTH |
| ZCL2T1060 | 100+100 | 600 |
| ZCL2T1080 | 100+100 | 800 /1600 |
| ZCL2T10100 | 100+100 | 1000 |
| ZCL2T10120 | 100+100 | 1200 |

MATERIAL: RAL 7016 painted sheet steel.

CHARACTERISTICS: Set consisting of two covers, front and rear, and four corner pieces. Available in two heights, 100 mm and 200 mm.

The 200-mm plinth is also supplied as 100 + 100 covers.

To obtain the complete set, you must order the corner pieces and the front covers plus the side covers.

FOR THE FOLLOWING DESKS: PSC - PC.

Side covers



| Reference No. | Dimensions | For desk |
|-----------------------|---------------|--------------|
| 100-MM PLINTHS | | |
| | HEIGHT | DEPTH |
| TLZCL1040 | 100 | 400 |
| TLZCL1050 | 100 | 500 |
| 200-MM PLINTHS | | |
| | HEIGHT | DEPTH |
| TLZCL2040 | 200 | 400 |
| TLZCL2050 | 200 | 500 |

MATERIAL: RAL 7016 painted sheet steel.

CHARACTERISTICS: Available in two heights, 100 mm and 200 mm.

To obtain the complete set, you must order the side covers plus corner pieces and front covers.

SUPPLY: 2-side cover pack.

FOR THE FOLLOWING DESKS: PSC - PC.

Lifting eyebolts



| Reference No. | Description |
|---------------|-------------------------------------|
| 48475 | M12 Lifting eyebolts (2-piece pack) |

MATERIAL: Galvanised steel.

CHARACTERISTICS: They are fitted on the top of the desk.

SUPPLY: 2-piece pack.

FOR THE FOLLOWING DESKS: PSC - PC.

Pneumatic lift for doors



| Reference No. | Description |
|---------------|---------------------------|
| 46251 | Pneumatic lift for doors. |

CHARACTERISTICS: It keeps the control panel module in the open position.

Each bag contains a height adjuster, a mounting bracket and 3x12-mm head-insulated screws. Pull-out rating 15 kg.

Profiles



| Reference No. | Dimensions | Pack |
|------------------------|------------|----------|
| DOUBLE VERTICAL | | |
| PMV700 | 700 | 2 pieces |

| Reference No. | Dimensions | Pack |
|-------------------|------------|----------|
| HORIZONTAL | | |
| PMH400 | 400 | 2 pieces |
| PMH500 | 500 | 2 pieces |

| Reference No. | Dimensions | Pack |
|--------------------|------------|----------|
| TRANSVERSAL | | |
| PMT600 | 600 | 2 pieces |
| PMT800 | 800 | 2 pieces |
| PMT1000 | 1000 | 2 pieces |
| PMT1200 | 1200 | 2 pieces |
| PMT1600 | 1600 | 2 pieces |

| Reference No. | Assembly units | Pack |
|---------------------|----------------|----------|
| FOR 19" RACK | | |
| PMR19/15U | 15U | 2 pieces |

MATERIAL: Galvanised steel.

CHARACTERISTICS: Profiles for installing trays and accessories inside the desk.
Maximum load: Profiles from 700 to 1200: 210 kg. Profiles of 1600: 150 kg.

SUPPLY: Pack of 2 profiles per reference with the screws needed for assembly.

FOR THE FOLLOWING DESKS: PSC - PC.

Hook lock



| Reference No. | Description |
|---------------|---------------------------|
| 46250 | 5-mm double-bit hook lock |

CHARACTERISTICS: Housing manufactured in RAL 7037 polyamide and latch in steel.
5-mm double-bit key not included. [Ref. 48449].

Key



| Reference No. | Description |
|---------------|----------------------------------|
| 48449 | 5-mm double-bit key in polyamide |

THERMAL MANAGEMENT



Air conditioning for industrial cabinets

Control of the temperature inside the electrical cabinets is a fundamental factor for lengthening the service life and correct operation of the electrical and electronic appliances installed inside. A perfect air conditioning system for forestalling temperature fluctuations which could damage the equipment, preventing overheating and the formation of condensation.

The correct choice of temperature control appliances is essential for guaranteeing the correct operation of our electrical panels.



Content

- Fans (AC, DC).
- Air filter grilles.
- Heating resistors.
- Thermostats.
- Hygrostats and hygrotherms.
- Air conditioners.
- Exchangers.

How to select the most suitable appliances

- Analyse the conditions of work.
- Analyse the environmental and temperature conditions.
- Analyse whether the exterior temperature is higher or lower than the temperature inside the panel.
- Analyse the conditions of contamination, dust, fluids, aggressive environments, oils.

Certifications



Compliant with the Low Voltage Directive 2014/35/EU.
Standards: IEC 62208 and IEC 61439-1
(as applicable).

Recommendations

- Low ambient temperature: Fans with filter.
- Ambient highly contaminated with dust or fluids: Air-air exchangers.
- High ambient temperature: Air conditioners.
- Ambient with high degree of humidity and aggressive contamination (oils): Air-water exchangers.

THERMAL MANAGEMENT

Ventilation

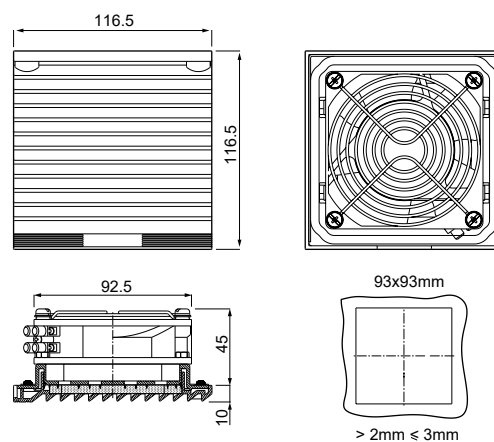
IP54 AC Filter fan (34-42 m³/h)



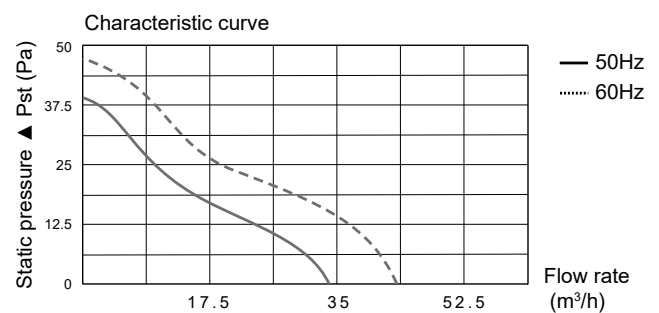
| Specifications | Units | Reference VF34AC | |
|--------------------------------------|-------------------|----------------------------------|------|
| Voltage | V | 230 | |
| | Hz | 50 | 60 |
| Air flow with filter | m ³ /h | 34 | 42 |
| Operating temperature | °C | -20 / +65 | |
| Relative humidity range | - | 0 - 95% | |
| Filtration efficiency | - | Up to 73% | |
| Service (at 40 °C) | h | 50000 | |
| Noise level | dB | 32 | 34 |
| Dimensions | mm | 116.5x116.5x55 | |
| Thickness of the cabinet wall | mm | 2 - 3 | |
| Cut-off dimensions | mm | 93x93 | |
| Electrical connection | - | Terminal | |
| Current consumption | A | 0.06 | 0.07 |
| Energy consumption | W | 12 | 11 |
| Static pressure | Pa | 39 | 45 |
| Overcurrent protection | - | Impedance | |
| Protection rating EN 60529 | - | IP54 | |
| Direction of flow | - | From exterior to interior | |
| Reversible | - | Yes | |
| Bearing | - | Ball bearing | |
| Colour | - | RAL 7035 | |
| Material | - | UL94 V0 ABS | |
| Filter material | - | Nylon fibre 150 g/m ³ | |
| Seal | - | Autoadhesive polyurethane | |
| Weight | kg | 0.38 | |
| Assembly | - | Quick-connect clip | |
| Certificates | - | CE, ROHS | |

For the extractor function (outward flow), unscrew the fan, turn it 180°, reversing the axis of rotation, and put the screws back in.

Dimensions



Graphs



IP54 AC Filter fan (92-107 m³/h)

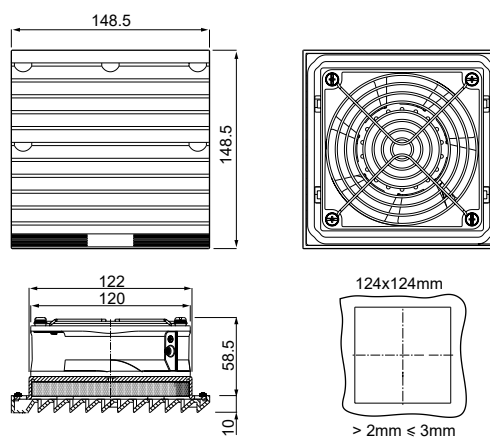


| Specifications | Units | Reference VF92AC | |
|-------------------------------|-------------------|----------------------------------|------|
| Voltage | V | 230 | |
| | Hz | 50 | 60 |
| Air flow with filter | m ³ /h | 92 | 107 |
| Operating temperature | °C | -20 /+65 | |
| Relative humidity range | - | 0 - 95% | |
| Filtration efficiency | - | Up to 73% | |
| Service (at 40 °C) | h | 50000 | |
| Noise level | dB | 31 | 34 |
| Dimensions | mm | 148.5x148.5x68.5 | |
| Thickness of the cabinet wall | mm | 2 - 3 | |
| Cut-off dimensions | mm | 124x124 | |
| Electrical connection | - | Terminal | |
| Current consumption | A | 0.12 | 0.10 |
| Energy consumption | W | 19 | 14 |
| Static pressure | Pa | 32 | 39 |
| Overcurrent protection | - | Impedance | |
| Protection rating EN 60529 | - | IP54 | |
| Direction of flow | - | From exterior to interior | |
| Reversible | - | Yes | |
| Bearing | - | Ball bearing | |
| Colour | - | RAL 7035 | |
| Material | - | UL94 V0 ABS | |
| Filter material | - | Nylon fibre 150 g/m ³ | |
| Seal | - | Autoadhesive polyurethane | |
| Weight | kg | 0.70 | |
| Assembly | - | Quick-connect clip | |
| Certificates | - | CE, ROHS | |

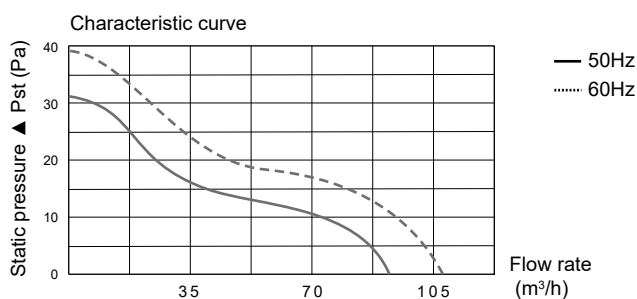
Also available with 110V voltage. Price and delivery terms on request.

For the extractor function (outward flow), unscrew the fan, turn it 180°, reversing the axis of rotation, and put the screws back in.

Dimensions



Graphs



THERMAL MANAGEMENT

Ventilation

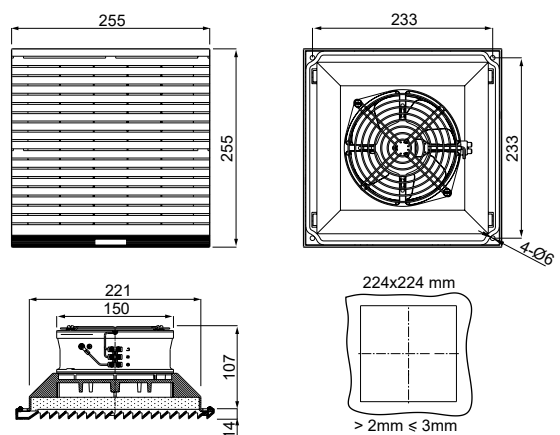
IP54 AC Filter fan (224-266 m³/h)



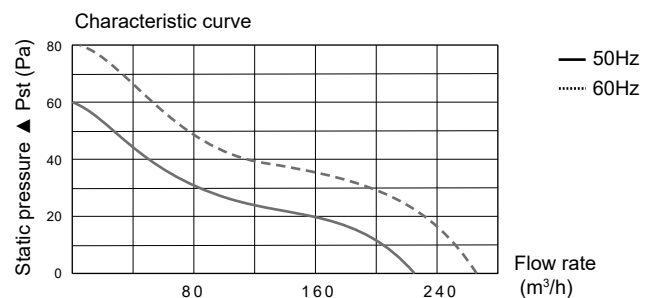
| Specifications | Units | Reference VF224AC | |
|-------------------------------|-------------------|----------------------------------|------|
| Voltage | V | 230 | |
| | Hz | 50 | 60 |
| Air flow with filter | m ³ /h | 224 | 266 |
| Operating temperature | °C | -20 / +70 | |
| Relative humidity range | - | 0 - 95% | |
| Filtration efficiency | - | Up to 73% | |
| Service (at 40 °C) | h | 50000 | |
| Noise level | dB | 46 | 50 |
| Dimensions | mm | 255x255x121 | |
| Thickness of the cabinet wall | mm | 2 - 3 | |
| Cut-off dimensions | mm | 224x224 | |
| Electrical connection | - | Terminal | |
| Current consumption | A | 0.25 | 0.20 |
| Energy consumption | W | 37 | 33 |
| Static pressure | Pa | 60 | 85 |
| Overcurrent protection | - | Thermal | |
| Protection rating EN 60529 | - | IP54 | |
| Direction of flow | - | From exterior to interior | |
| Reversible | - | Yes | |
| Bearing | - | Ball bearing | |
| Colour | - | RAL 7035 | |
| Material | - | UL94 V0 ABS | |
| Filter material | - | Nylon fibre 150 g/m ³ | |
| Seal | - | Autoadhesive polyurethane | |
| Weight | kg | 1.62 | |
| Assembly | - | Quick-connect clip / Bolts | |
| Certificates | - | CE, ROHS | |

For the extractor function (outward flow), unscrew the fan, turn it 180°, reversing the axis of rotation, and put the screws back in.

Dimensions



Graphs



IP54 AC Filter fan (280-320 m³/h)

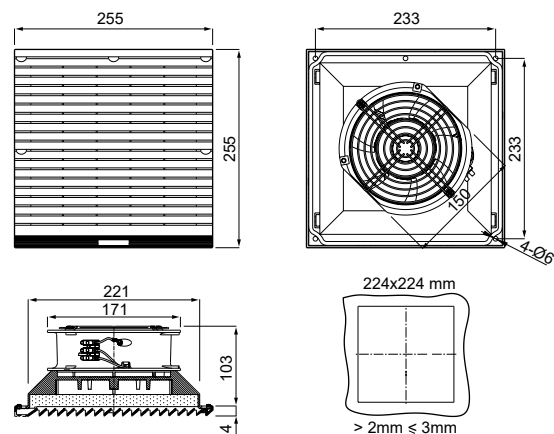


| Specifications | Units | Reference VF280AC | |
|-------------------------------|-------------------|----------------------------------|------|
| Voltage | V | 230 | |
| | Hz | 50 | 60 |
| Air flow with filter | m ³ /h | 280 | 320 |
| Operating temperature | °C | -20 / +70 | |
| Relative humidity range | - | 0 - 95% | |
| Filtration efficiency | - | Up to 73% | |
| Service (at 40 °C) | h | 50000 | |
| Noise level | dB | 48 | 50 |
| Dimensions | mm | 255x255x117 | |
| Thickness of the cabinet wall | mm | 2 - 3 | |
| Cut-off dimensions | mm | 224x224 | |
| Electrical connection | - | Terminal | |
| Current consumption | A | 0.26 | 0.24 |
| Energy consumption | W | 41 | 38 |
| Static pressure | Pa | 120 | 135 |
| Overcurrent protection | - | Impedance | |
| Protection rating EN 60529 | - | IP54 | |
| Direction of flow | - | From exterior to interior | |
| Reversible | - | Yes | |
| Bearing | - | Ball bearing | |
| Colour | - | RAL 7035 | |
| Material | - | UL94 V0 ABS | |
| Filter material | - | Nylon fibre 150 g/m ³ | |
| Seal | - | Autoadhesive polyurethane | |
| Weight | kg | 1.47 | |
| Assembly | - | Quick-connect clip / Bolts | |
| Certificates | - | CE, ROHS | |

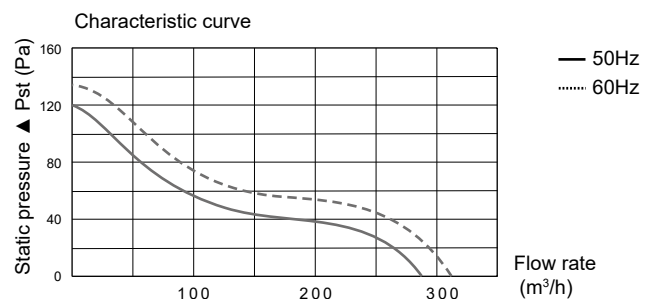
Also available with 110V voltage. Price and delivery terms on request.

For the extractor function (outward flow), unscrew the fan, turn it 180°, reversing the axis of rotation, and put the screws back in.

Dimensions



Graphs



THERMAL MANAGEMENT

Ventilation

IP54 AC Filter fan (637-707 m³/h)

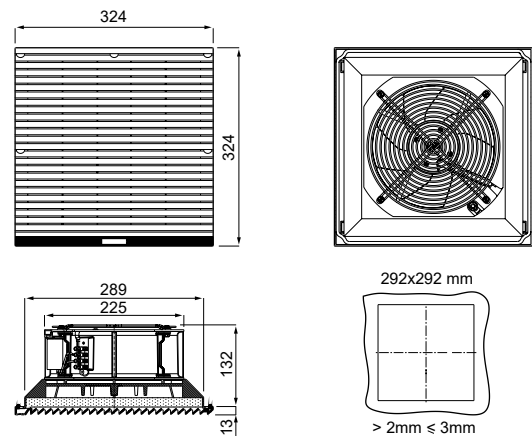


| Specifications | Units | Reference VF637AC | |
|--------------------------------------|-------------------|----------------------------------|------|
| Voltage | V | 230 | |
| | Hz | 50 | 60 |
| Air flow with filter | m ³ /h | 637 | 707 |
| Operating temperature | °C | -20 / +75 | |
| Relative humidity range | - | 0 - 95% | |
| Filtration efficiency | - | Up to 73% | |
| Service (at 40 °C) | h | 50000 | |
| Noise level | dB | 55 | 57 |
| Dimensions | mm | 324x324x145 | |
| Thickness of the cabinet wall | mm | 2 - 3 | |
| Cut-off dimensions | mm | 292x292 | |
| Electrical connection | - | Terminal | |
| Current consumption | A | 0.30 | 0.34 |
| Energy consumption | W | 65 | 77 |
| Static pressure | Pa | 78 | 90 |
| Overcurrent protection | - | Thermal | |
| Protection rating EN 60529 | - | IP54 | |
| Direction of flow | - | From exterior to interior | |
| Reversible | - | Yes | |
| Bearing | - | Ball bearing | |
| Colour | - | RAL 7035 | |
| Material | - | UL94 V0 ABS | |
| Filter material | - | Nylon fibre 150 g/m ³ | |
| Seal | - | Autoadhesive polyurethane | |
| Weight | kg | 3.43 | |
| Assembly | - | Quick-connect clip | |
| Certificates | - | CE, ROHS | |

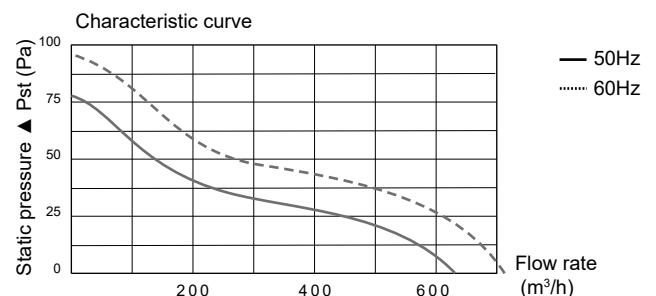
Also available with 110V voltage. Price and delivery terms on request.

For the extractor function (outward flow), unscrew the fan, turn it 180°, reversing the axis of rotation, and put the screws back in.

Dimensions



Graphs



IP54 AC Filter fan (1395-1530 m³/h)

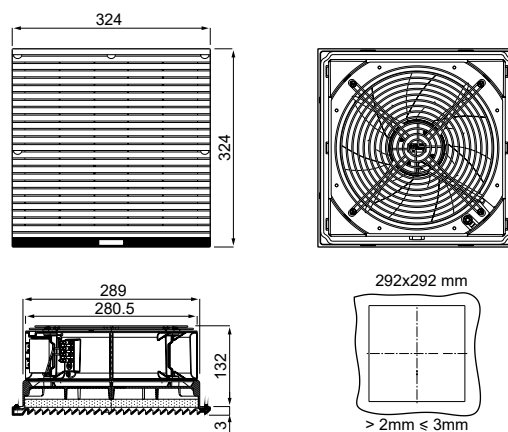


| Specifications | Units | Reference VF1395AC | |
|--------------------------------------|-------------------|----------------------------------|------|
| Voltage | V | 230 | |
| | Hz | 50 | 60 |
| Air flow with filter | m ³ /h | 1395 | 1530 |
| Operating temperature | °C | -20 / +75 | |
| Relative humidity range | - | 0 - 95% | |
| Filtration efficiency | - | Up to 73% | |
| Service (at 40 °C) | h | 50000 | |
| Noise level | dB | 63 | 65 |
| Dimensions | mm | 324x324x145 | |
| Thickness of the cabinet wall | mm | 2 - 3 | |
| Cut-off dimensions | mm | 292x292 | |
| Electrical connection | - | Terminal | |
| Current consumption | A | 0.48 | 0.62 |
| Energy consumption | W | 105 | 140 |
| Static pressure | Pa | 95 | 105 |
| Overcurrent protection | - | Thermal | |
| Protection rating EN 60529 | - | IP54 | |
| Direction of flow | - | From exterior to interior | |
| Reversible | - | Yes | |
| Bearing | - | Ball bearing | |
| Colour | - | RAL 7035 | |
| Material | - | UL94 V0 ABS | |
| Filter material | - | Nylon fibre 150 g/m ³ | |
| Seal | - | Autoadhesive polyurethane | |
| Weight | kg | 4.22 | |
| Assembly | - | Quick-connect clip | |
| Certificates | - | CE, ROHS | |

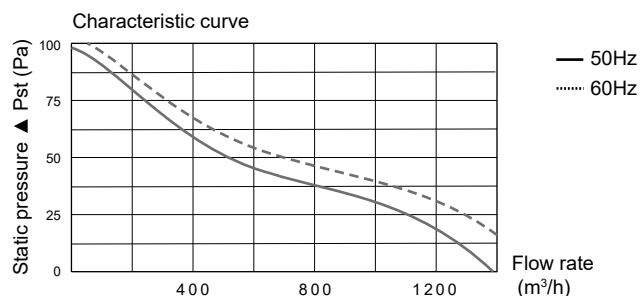
Also available with 110V voltage. Price and delivery terms on request.

For the extractor function (outward flow), unscrew the fan, turn it 180°, reversing the axis of rotation, and put the screws back in.

Dimensions



Graphs



THERMAL MANAGEMENT

Ventilation

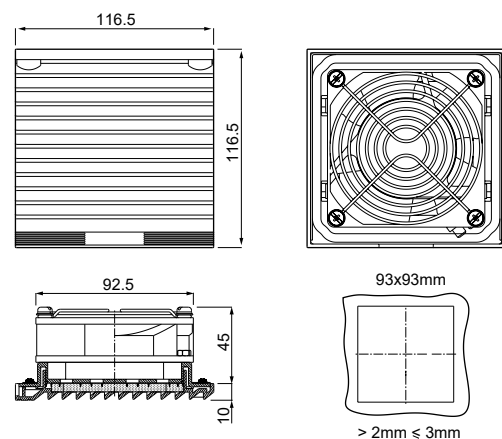
IP54 DC Filter fan (60 m³/h)



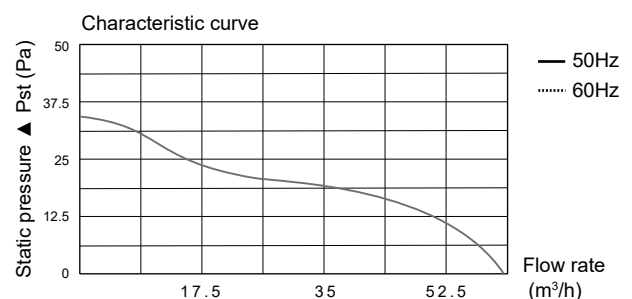
| Specifications | Units | Reference VF60DC |
|--------------------------------------|-------------------|----------------------------------|
| Voltage | V | 24 |
| Air flow with filter | m ³ /h | 70 |
| Operating temperature | °C | -20 /+65 |
| Relative humidity range | - | 0 - 95% |
| Filtration efficiency | - | Up to 73% |
| Service (at 40 °C) | h | 50000 |
| Noise level | dB | 36 |
| Dimensions | mm | 116.5x116.5x55 |
| Thickness of the cabinet wall | mm | 2 - 3 |
| Cut-off dimensions | mm | 93x93 |
| Electrical connection | - | Terminal |
| Current consumption | A | 0.12 |
| Energy consumption | W | 2.88 |
| Static pressure | Pa | 45 |
| Overcurrent protection | - | Impedance |
| Protection rating EN 60529 | - | IP54 |
| Direction of flow | - | From exterior to interior |
| Reversible | - | Yes |
| Bearing | - | Ball bearing |
| Colour | - | RAL 7035 |
| Material | - | UL94 V0 ABS |
| Filter material | - | Nylon fibre 150 g/m ³ |
| Seal | - | Autoadhesive polyurethane |
| Weight | kg | 0.37 |
| Assembly | - | Quick-connect clip |
| Certificates | - | CE, ROHS |

For the extractor function (outward flow), unscrew the fan, turn it 180°, reversing the axis of rotation, and put the screws back in.

Dimensions



Graphs



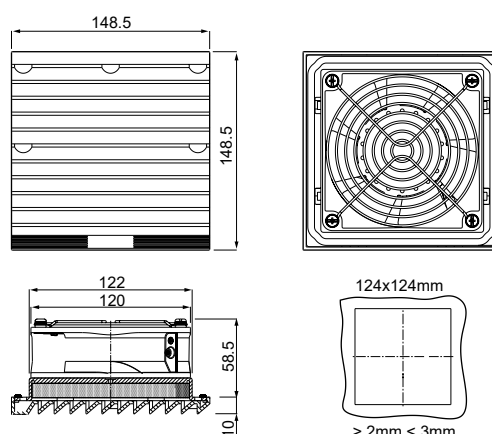
IP54 DC Filter fan (113 m³/h)



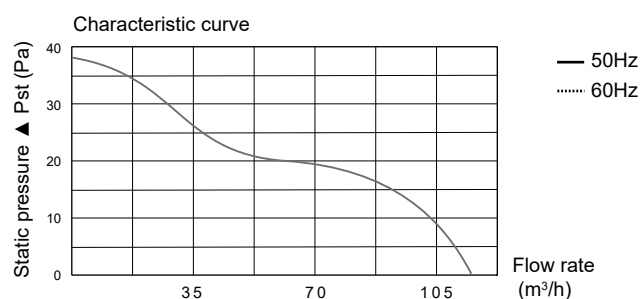
| Specifications | Units | Reference VF113DC |
|-------------------------------|-------------------|----------------------------------|
| Voltage | V | 24 |
| Air flow with filter | m ³ /h | 113 |
| Operating temperature | °C | -20 /+65 |
| Relative humidity range | - | 0 - 95% |
| Filtration efficiency | - | Up to 73% |
| Service (at 40 °C) | h | 50000 |
| Noise level | dB | 35 |
| Dimensions | mm | 148.5x148.5x68.5 |
| Thickness of the cabinet wall | mm | 2 - 3 |
| Cut-off dimensions | mm | 124x124 |
| Electrical connection | - | Terminal |
| Current consumption | A | 0.31 |
| Energy consumption | W | 7.44 |
| Static pressure | Pa | 38 |
| Overcurrent protection | - | Impedance |
| Protection rating EN 60529 | - | IP54 |
| Direction of flow | - | From exterior to interior |
| Reversible | - | Yes |
| Bearing | - | Ball bearing |
| Colour | - | RAL 7035 |
| Material | - | UL94 V0 ABS |
| Filter material | - | Nylon fibre 150 g/m ³ |
| Seal | - | Autoadhesive polyurethane |
| Weight | kg | 0.49 |
| Assembly | - | Quick-connect clip |
| Certificates | - | CE, ROHS |

For the extractor function (outward flow), unscrew the fan, turn it 180°, reversing the axis of rotation, and put the screws back in.

Dimensions



Graphs



THERMAL MANAGEMENT

Ventilation

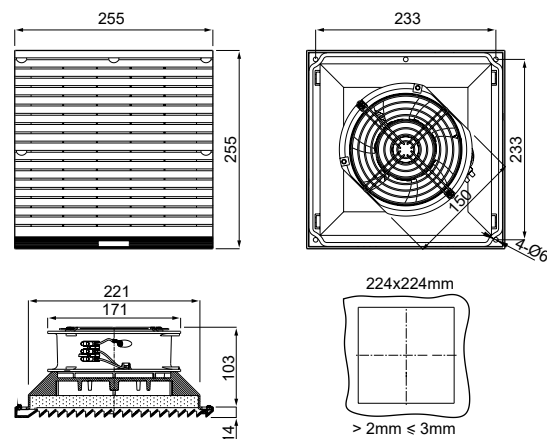
IP54 DC Filter fan (245 m³/h)



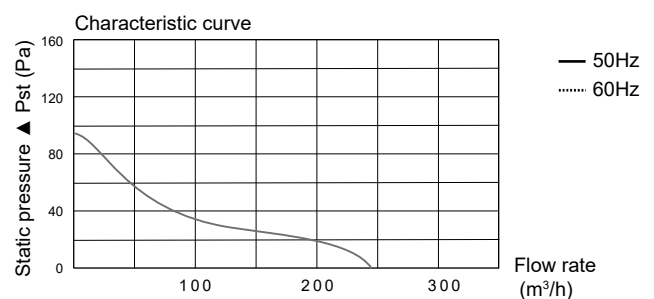
| Specifications | Units | Reference VF245DC |
|--------------------------------------|-------------------|----------------------------------|
| Voltage | V | 24 |
| Air flow with filter | m ³ /h | 245 |
| Operating temperature | °C | -20 /+70 |
| Relative humidity range | - | 0 - 95% |
| Filtration efficiency | - | Up to 73% |
| Service (at 40 °C) | h | 50000 |
| Noise level | dB | 48 |
| Dimensions | mm | 255x255x117 |
| Thickness of the cabinet wall | mm | 2 - 3 |
| Cut-off dimensions | mm | 224x224 |
| Electrical connection | - | Terminal |
| Current consumption | A | 0.50 |
| Energy consumption | W | 12 |
| Static pressure | Pa | 95 |
| Overcurrent protection | - | Impedance |
| Protection rating EN 60529 | - | IP54 |
| Direction of flow | - | From exterior to interior |
| Reversible | - | Yes |
| Bearing | - | Ball bearing |
| Colour | - | RAL 7035 |
| Material | - | UL94 V0 ABS |
| Filter material | - | Nylon fibre 150 g/m ³ |
| Seal | - | Autoadhesive polyurethane |
| Weight | kg | 1.30 |
| Assembly | - | Quick-connect clip / Bolts |
| Certificates | - | CE, ROHS |

For the extractor function (outward flow), unscrew the fan, turn it 180°, reversing the axis of rotation, and put the screws back in.

Dimensions



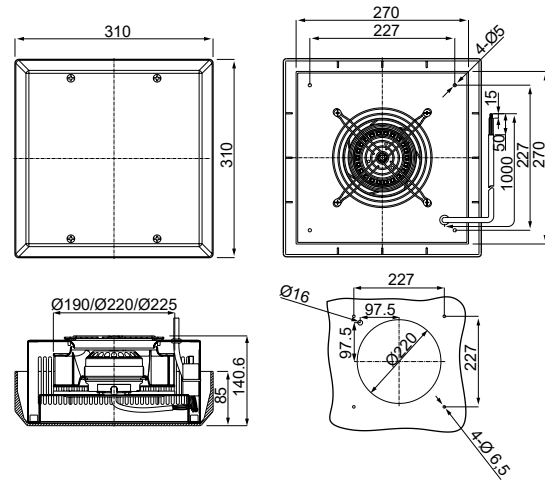
Graphs



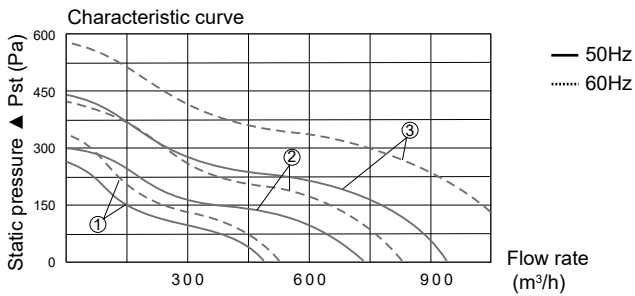
IP54 Ceiling fan (484-1140 m³/h)



Dimensions



Graphs



| Specifications | Units | Reference VT484 | | Reference VT730 | | Reference VT1020 | |
|-----------------------------------|-------------------|---------------------------|------|---------------------------|------|----------------------------|------|
| Voltage | V | 230 | | 230 | | 230 | |
| | Hz | 50 | 60 | 50 | 60 | 50 | 60 |
| Air flow with filter | m ³ /h | 484 | 527 | 730 | 830 | 1020 | 1140 |
| Operating temperature | °C | -20 / +80 | | | | | |
| Relative humidity range | - | 0 - 95% | | | | | |
| Service (at 40 °C) | h | 50000 | | | | | |
| Noise level | dB | 57 | 59 | 60 | 62 | 62 | 64 |
| Dimensions | mm | 310x310x140 | | | | | |
| Cut-off dimensions | mm | Ø220 | | | | | |
| Electrical connection | - | Cable | | | | | |
| Current consumption | A | 0,26 | 0,33 | 0,46 | 0,51 | 0,60 | 0,74 |
| Energy consumption | W | 58 | 74 | 98 | 118 | 131 | 170 |
| Static pressure | Pa | 265 | 335 | 300 | 440 | 430 | 585 |
| Static pressure curve | - | 1 | | 2 | | 3 | |
| Overcurrent protection | - | Thermal | | | | | |
| Protection rating EN 60529 | - | IP54 | | | | | |
| Direction of flow | - | From interior to exterior | | | | | |
| Bearing | - | Ball bearing | | | | | |
| Material | - | UL94 V0 ABS / Cast iron | | | | | |
| Colour | - | RAL 7035 | | | | | |
| Seal | - | Autoadhesive polyurethane | | | | | |
| Weight | kg | 4,80 | | 5,23 | | 5,70 | |
| Assembly | - | Bolts | | | | | |
| Certificates | - | CE, ROHS | | | | | |

THERMAL MANAGEMENT

Ventilation

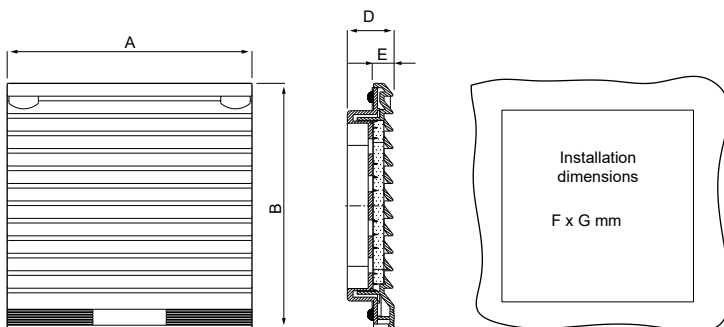
Air filter grille (for VF fans)



| Specifications | Units | Reference RF93 |
|-------------------------------|-------|----------------------------------------|
| Dimensions (AxB) | mm | 116.5x116.5 |
| Dimensions (D-E) | mm | 22-10 |
| Cut-off dimensions (FxG) | mm | 93x93 |
| Filtration efficiency | - | Up to 73% (G2) |
| Operating temperature | °C | -20 / +70 |
| Relative humidity range | - | 0 - 95% |
| Protection rating | - | IP54 |
| Material | - | ABS + 150 g/m ³ nylon fibre |
| Colour | - | RAL 7035 |
| Thickness of the cabinet wall | mm | 1.5 - 2 |
| Seal | - | Autoadhesive polyurethane |
| Assembly | - | Quick-connect clip / Bolts |
| Certificates | - | CE, ROHS |

| Specifications | Units | Reference RF123 |
|-------------------------------|-------|----------------------------------------|
| Dimensions (AxB) | mm | 148.5x148.5 |
| Dimensions (D-E) | mm | 27.5-10 |
| Cut-off dimensions (FxG) | mm | 124x124 |
| Filtration efficiency | - | Up to 73% (G2) |
| Operating temperature | °C | -20 / +70 |
| Relative humidity range | - | 0 - 95% |
| Protection rating | - | IP54 |
| Material | - | ABS + 150 g/m ³ nylon fibre |
| Colour | - | RAL 7035 |
| Thickness of the cabinet wall | mm | 1.5 - 2 |
| Seal | - | Autoadhesive polyurethane |
| Assembly | - | Quick-connect clip / Bolts |
| Certificates | - | CE, ROHS |

Dimensions





| Specifications | Units | Reference RF222 |
|-------------------------------|-------|----------------------------------------|
| Dimensions (AxB) | mm | 255x255 |
| Dimensions (D-E) | mm | 30.5-13.5 |
| Cut-off dimensions (FxG) | mm | 224x224 |
| Filtration efficiency | - | Up to 73% (G2) |
| Operating temperature | °C | -20 / +70 |
| Relative humidity range | - | 0 - 95% |
| Protection rating | - | IP54 |
| Material | - | ABS + 150 g/m ³ nylon fibre |
| Colour | - | RAL 7035 |
| Thickness of the cabinet wall | mm | 1.5 - 2 |
| Seal | - | Autoadhesive polyurethane |
| Assembly | - | Quick-connect clip / Bolts |
| Certificates | - | CE, ROHS |

| Specifications | Units | Reference RF290 |
|-------------------------------|-------|----------------------------------------|
| Dimensions (AxB) | mm | 324x324 |
| Dimensions (D-E) | mm | 30.5-13.5 |
| Cut-off dimensions (FxG) | mm | 292x292 |
| Filtration efficiency | - | Up to 73% (G2) |
| Operating temperature | °C | -20 / +70 |
| Relative humidity range | - | 0 - 95% |
| Protection rating | - | IP54 |
| Material | - | ABS + 150 g/m ³ nylon fibre |
| Colour | - | RAL 7035 |
| Thickness of the cabinet wall | mm | 1.5 - 2 |
| Seal | - | Autoadhesive polyurethane |
| Assembly | - | Quick-connect clip / Bolts |
| Certificates | - | CE, ROHS |

Filtration meshes



| Specifications | U | Reference F93 | Reference F123 | Reference F222 | Reference F290 |
|-------------------|----|----------------------------------|----------------------------------|----------------------------------|----------------------------------|
| Grille dimensions | mm | 116.5x116.5 | 148.5x148.5 | 255x255 | 324x324 |
| Mesh dimensions | mm | 85x85 | 115x115 | 215x215 | 285x285 |
| Material | - | 150 g/m ³ nylon fibre | 150 g/m ³ nylon fibre | 150 g/m ³ nylon fibre | 150 g/m ³ nylon fibre |

THERMAL MANAGEMENT

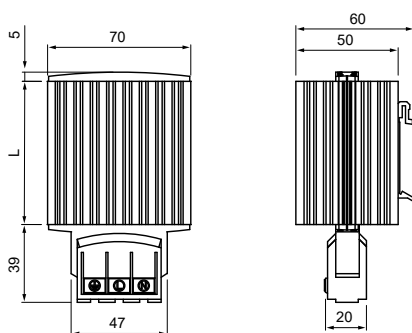
Heating

Heating resistors without fan



| Specifications | Units | Reference RC15SV | Reference RC30SV | Reference RC60SV |
|-------------------------------|-------|--------------------------------------------------------------------------------------------------------------------------|----------------------------|----------------------------|
| Operating voltage | V | 110-250 AC/DC | 110-250 AC/DC | 110-250 AC/DC |
| Heating capacity | W | 15 | 30 | 60 |
| Inrush current max. | A | 1,5 | 2,5 | 3,5 |
| Dimensions (L=Length) | mm | 70 | 70 | 70 |
| Weight | kg | 0,25 | 0,25 | 0,25 |
| Heating element | - | PTC resistor, self regulating and temperature limiting | | |
| Heater body | - | Extruded aluminium profile, anodised | | |
| Connection casing | - | Plastic according to UL94 V0, black | | |
| Electrical connection | - | 3 pressure clamps for stranded wire 0.5-1.5mm ² (with wire end ferrule) and rigid wire 0.5-2.5mm ² | | |
| Mounting | - | Clip for 35mm DIN rail | | |
| Fitting position | - | Vertical airflow | | |
| Operating/Storage temperature | °C | -45 to +70 | | |
| Degree of protection | - | IP20 | | |
| Protection class | - | Class I (Earthed) | | |
| Certificates | - | CE | | |

Dimensions

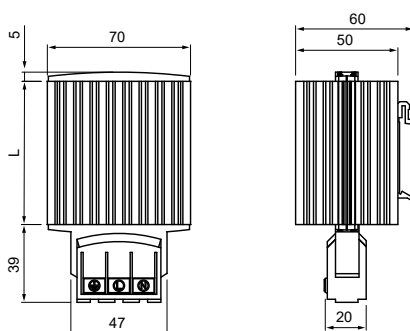


Heating resistors without fan



| Specifications | Units | Reference RC75SV | Reference RC100SV | Reference RC150SV |
|-------------------------------|-------|--------------------------------------------------------------------------------------------------------------------------|-----------------------------|-----------------------------|
| Operating voltage | V | 110-250 AC/DC | 110-250 AC/DC | 110-250 AC/DC |
| Heating capacity | W | 75 | 100 | 150 |
| Inrush current max. | A | 4 | 4,5 | 9 |
| Dimensions (L=Length) | mm | 70 | 140 | 140 |
| Weight | kg | 0,25 | 0,4 | 0,4 |
| Heating element | - | PTC resistor, self regulating and temperature limiting | | |
| Heater body | - | Extruded aluminium profile, anodised | | |
| Connection casing | - | Plastic according to UL94 V0, black | | |
| Electrical connection | - | 3 pressure clamps for stranded wire 0.5-1.5mm ² (with wire end ferrule) and rigid wire 0.5-2.5mm ² | | |
| Mounting | - | Clip for 35mm DIN rail | | |
| Fitting position | - | Vertical airflow | | |
| Operating/Storage temperature | °C | -45 to +70 | | |
| Degree of protection | - | IP20 | | |
| Protection class | - | Class I (Earthed) | | |
| Certificates | - | CE | | |

Dimensions



THERMAL MANAGEMENT

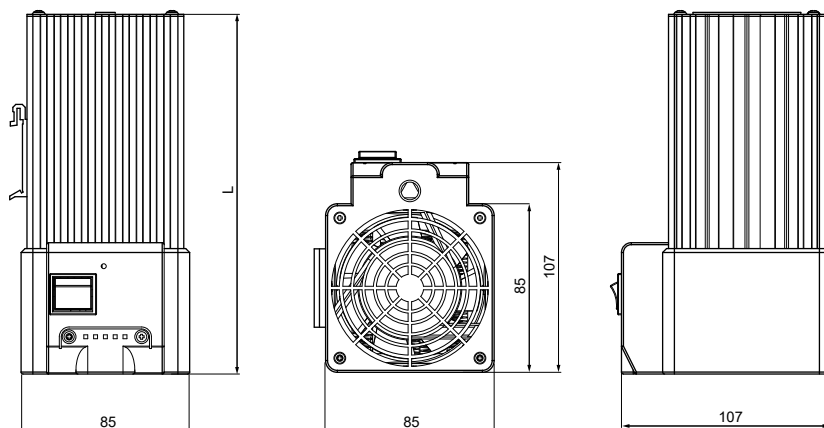
Heating

Heating resistors with fan



| Specifications | Units | Reference RC250CV | Reference RC500CV |
|--------------------------------------|-------|------------------------------------------------------------------------------------|-----------------------------|
| Operating voltage | V | 230 AC | 230 AC |
| | Hz | 50/60 | 50/60 |
| Heating capacity | W | 250 | 500 |
| Dimensions (L=Length) | mm | 183 | 216 |
| Weight | kg | 1,1 | 1,4 |
| Heating element | - | PTC resistor, self regulating and temperature limiting | |
| Temperature safety cut-out | - | Automatic reset to protect against overheating in case of fan failure | |
| Heater body | - | Extruded aluminium profile, anodised | |
| Connection casing | - | Plastic according to UL94 V0, black | |
| Surface temperature | °C | max. 75 °C (400 W) | |
| Axial fan airflow | m³/h | 45 (50 Hz) / 54 (60 Hz) | |
| Service life | h | 50.000 h at 25 °C | |
| Electrical connection | - | Internal connection terminal 1.5mm² with strain relief, clamping torque 0.8Nm max. | |
| Mounting | - | Clip for 35mm DIN rail | |
| Fitting position | - | Vertical airflow | |
| Operating/Storage temperature | °C | -45 to +70 | |
| Degree of protection | - | IP20 | |
| Protection class | - | Class I (Earthed) | |
| Certificates | - | CE | |

Dimensions

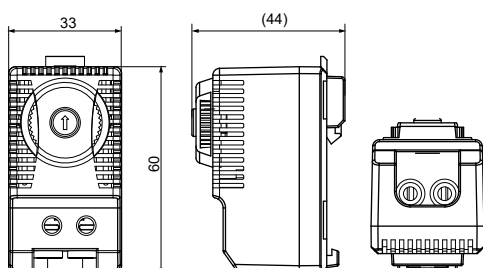


Thermostats

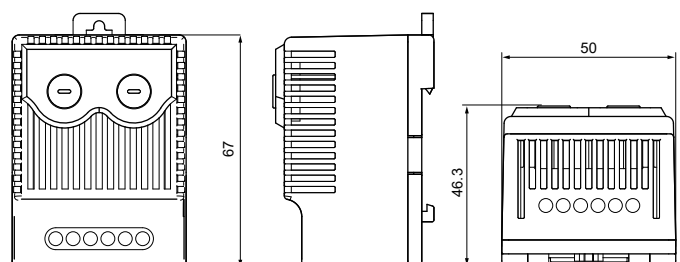


| Specifications | Units | Reference TS01 | Reference TS02 | Reference TD03 |
|--------------------------------------|--------|--------------------------|-------------------------------------------------------------|--------------------------|
| Contact | - | NC | NA | NC+NA |
| Max. Switching capacity | - | | 250 V AC 10 (2) A 120 V AC 15 (2) A 30 W DC (24-72 V) | |
| Dimensions (L=Length) | mm | 60x33x43 | 60x33x43 | 67x50x45 |
| Weight | g | 40 | 40 | 90 |
| Setting range | °C | | 0-60 | |
| Switch temperature difference | - | | 7K (+/- 4K tolerance) | |
| Sensor element | - | | Thermostatic bimetal | |
| Contact type | - | | Snap-action contact | |
| Contact resistance | mΩ | | < 10 | |
| Service life | Ciclos | | > 100.000 | |
| Electrical connection | - | | 2-pole terminal | 4-pole terminal |
| Connection casing | - | | Plastic according to UL94 V0, light grey | |
| Mounting | - | | Clip for 35mm DIN rail | |
| Operating/Storage temperature | °C | | -20 to +80 | |
| Degree of protection | - | | IP20 | |
| Certificates | - | | CE | |

Dimensions TS01 - TS02



Dimensions TD03



THERMAL MANAGEMENT

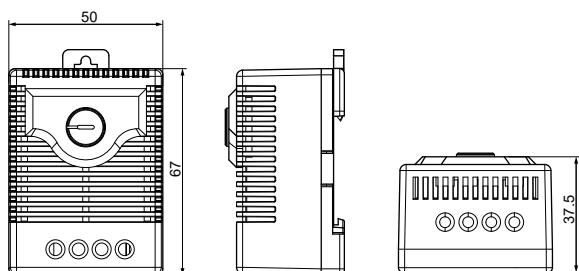
Heating

Hygrostat



| Specifications | Units | Reference HG02 |
|-------------------------------|--------|------------------------------------------------------------------------------------------------------------------|
| Relative humidity range | % | 35-95 |
| Switching error | % RH | 4 (+/-3 tolerance) |
| Allow wind speed | m/s | 15 |
| Contact type | - | Change-over contact |
| Contact resistance | mΩ | < 10 |
| Service life | Cycles | > 50.000 |
| Min. Switching capacity | V | 20 AC/DC 100 mA |
| Max. Switching capacity | V | 250 AC 5 (1) A |
| | W | 20 DC |
| Electrical connection | - | 3-pole terminal, clamping torque 0.5Nm max.: rigid wire 2.5mm ² , stranded wire 1.5mm ² |
| Mounting | - | Clip for 35mm DIN rail |
| Connection casing | - | Plastic according to UL94 V-0, light grey |
| Dimensions | mm | 67x50x38 |
| Weight | g | 60 |
| Fitting position | - | Variable |
| Operating/Storage temperature | °C | 0 to 60 / -20 to 80 |
| Degree of protection | - | IP20 |
| Certificates | - | CE |

Dimensions HG02

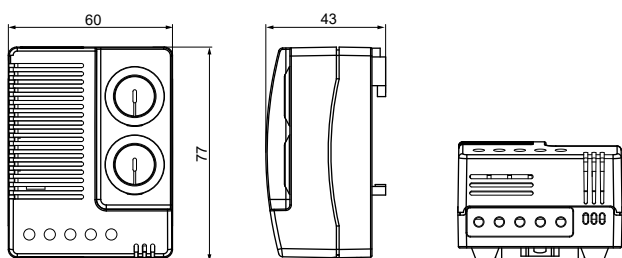


Hygrotherm



| Specifications | Units | Reference HT250 |
|----------------------------------------|--------|--------------------------------------------------------------------------------------------------------------------|
| Setting range humidity | % RH | 50-90 |
| Setting range temperature | °C | 0 to +60 |
| Operating voltage | V | 230 AC 50/60 Hz |
| Switch difference (temperature) | - | 2K (+/-1K tolerance) at 25 °C (50 %) |
| Switch difference (humidity) | % RH | 4% RH (+/-1% tolerance) at 25 °C (50 %) |
| Reaction time (humidity) | seg. | Approx. 5 sec. |
| Contact type | - | Change-over contact (relay) |
| Contact resistance | mΩ | < 10 |
| Service life | Cycles | NC: 50.000 / NO: 100.000 |
| Max. Switching capacity (relay output) | V | NC: 240 AC 6 (1) A NO: 240 AC 8 (1,6) A |
| Optical indicator | - | LED |
| Electrical connection | - | 5-pole terminal, clamping torque 0.5Nm max.: rigid wire 2.5 mm ² , stranded wire 1.5 mm ² |
| Mounting | - | Clip for 35 mm DIN rail |
| Connection casing | - | Plastic according to UL94 V0, light grey |
| Dimensions (HeightxWidthxDepth) | mm | 77x60x43 |
| Weight | kg | 0,2 |
| Fitting position | - | Vertical |
| Operating/Storage temperature | °C | 0 to +60 / -20 to +80 |
| Degree of protection | - | IP20 |
| Certificates | - | CE |

Dimensions HT250



THERMAL MANAGEMENT

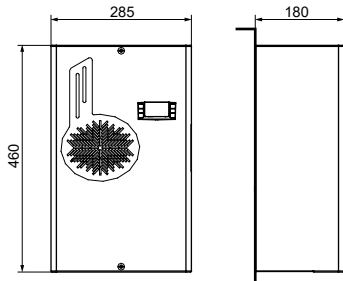
Refrigeration

Surface and semi-recessed air conditioners

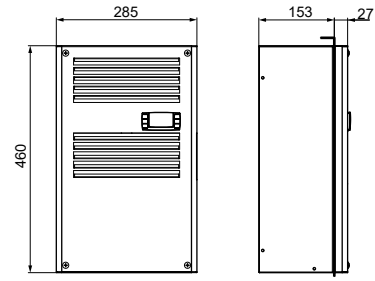


Dimensions

SURFACE



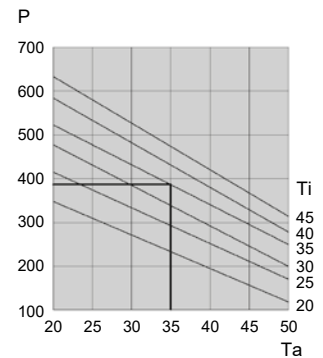
SEMI-RECESSED



| Specifications | Units | Reference AS380/230 | |
|------------------------------------------|--------------|---------------------------------------------|---------------|
| | | SURFACE | SEMI-RECESSED |
| Voltage | - | V | 230 |
| | | Hz | 50 |
| Cooling capacity | A35/A35 | 380 | |
| | A35/A50 | 240 | |
| Power draw | A35/A35 | 230 | |
| Max. Current | - | 1,6 | |
| Inrush current | - | 6 | |
| T fuse | - | 4 | |
| Air fan capacity | Cabinet | 280 | |
| | External | 280 | |
| Connection type | - | 4-pin plug | |
| Noise level | - | 60 | |
| Weight (without packaging) | - | 17 | |
| Dimensions (HeightxWidthxDensity) | External | 460x285x180 | 460x285x27 |
| | Inner | - | 460x285x153 |
| Ambient temperature range | - | +20 / +55* | |
| Temperature regulation | - | Electronic thermostat, factory set to 35 °C | |
| Coolant | R134a | g | 130 |
| Operating cycle | - | % | 100 |
| Protection rating | Cabinet side | | IP55 |
| | Ambient side | | IP34 |
| Colour | - | RAL | 7035 |

* 50 °C at 60 Hz.

Graphs

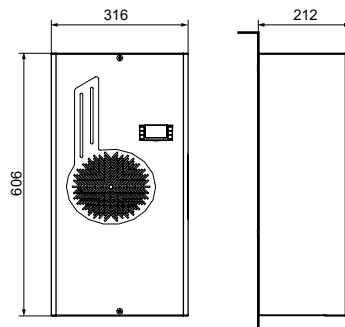


P: Cooling capacity [W]
Ti: Internal cabinet temperature [°C]
Ta: Ambient temperature [°C]

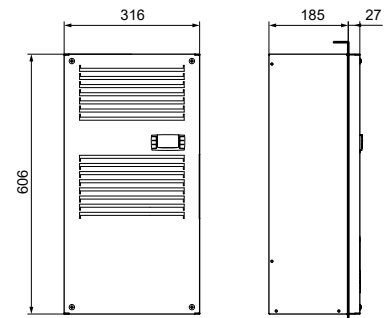


Dimensions

SURFACE



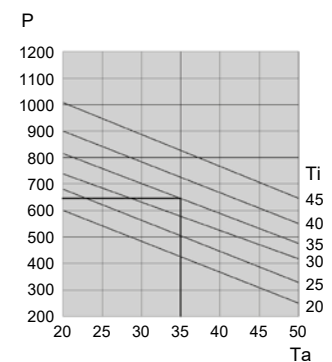
SEMI-RECESSED



| Specifications | Units | Reference AS640/230 | | Reference ASE640/230 | |
|----------------------------------------|--------------|-------------------------------|---------------------------------------------|--------------------------------|------------|
| | | SURFACE | | SEMI-RECESSED | |
| Voltage | - | V | 230 | | |
| | | Hz | 50 | | 60 |
| Cooling capacity | A35/A35 | W | 640 | | |
| | A35/A50 | | 470 | | |
| Power draw | A35/A35 | W | 380 | | |
| Max. Current | - | A | 2,1 | | |
| Inrush current | - | A | 8,1 | | |
| T fuse | - | A | 6 | | |
| Air fan capacity | Cabinet | m ³ /h | 330 | | |
| | External | | 570 | | |
| Connection type | - | - | 4-pin plug | | |
| Noise level | - | dB | 65 | | |
| Weight (without packaging) | - | kg | 21 | | |
| Dimensions (HeightxWidthxDepth) | External | mm | 606x316x212 | | 606x316x27 |
| | Inner | | - | 606x316x185 | |
| Ambient temperature range | - | °C | +20 / +55* | | |
| Temperature regulation | - | - | Electronic thermostat, factory set to 35 °C | | |
| Coolant | R134a | g | 190 | | |
| Operating cycle | - | % | 100 | | |
| Protection rating | Cabinet side | | IP55 | | |
| | Ambient side | | IP34 | | |
| Colour | - | RAL | 7035 | | |

* 50 °C at 60 Hz.

Graphs



P: Cooling capacity [W]
Ti: Internal cabinet temperature [°C]
Ta: Ambient temperature [°C]

THERMAL MANAGEMENT

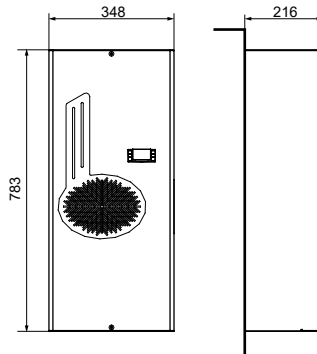
Refrigeration

Surface and semi-recessed air conditioners

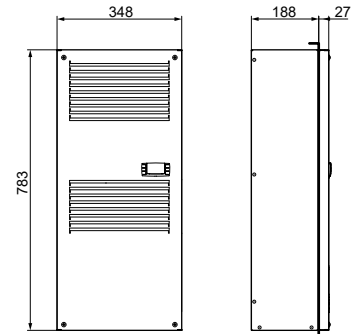


Dimensions

SURFACE

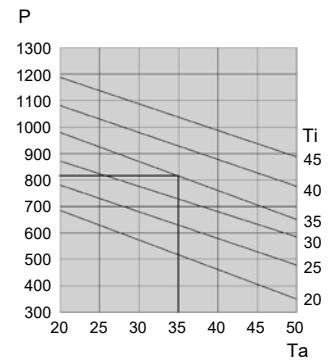


SEMI-RECESSED



| Specifications | Units | Reference AS820/230 | |
|------------------------------------------|--------------|-------------------------------|---------------------------------------------|
| | | SURFACE | SEMI-RECESSED |
| Voltage | - | V | 230 |
| | | Hz | 50 |
| Cooling capacity | A35/A35 | 820 | |
| | A35/A50 | 680 | |
| Power draw | A35/A35 | 410 | |
| Max. Current | - | 2,6 | |
| Inrush current | - | 10,8 | |
| T fuse | - | 6 | |
| Air fan capacity | Cabinet | 330 | |
| | External | 570 | |
| Connection type | - | 4-pin plug | |
| Noise level | - | 65 | |
| Weight (without packaging) | - | 27 | |
| Dimensions (HeightxWidthxDensity) | External | mm | 783x348x216 |
| | Inner | | - |
| Ambient temperature range | - | °C | +20 / +55* |
| Temperature regulation | - | - | Electronic thermostat, factory set to 35 °C |
| Coolant | R134a | g | 210 |
| Operating cycle | - | % | 100 |
| Protection rating | Cabinet side | | IP55 |
| | Ambient side | | IP34 |
| Colour | - | RAL | 7035 |

Graphs



P: Cooling capacity [W]
 Ti: Internal cabinet temperature [°C]
 Ta: Ambient temperature [°C]

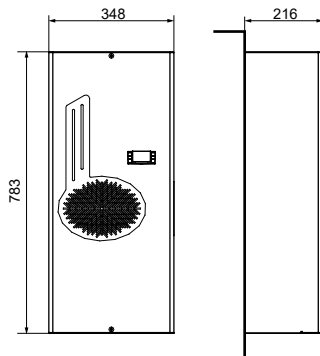
Integrated anti-condensation evaporation system.

* 50 °C at 60 Hz.

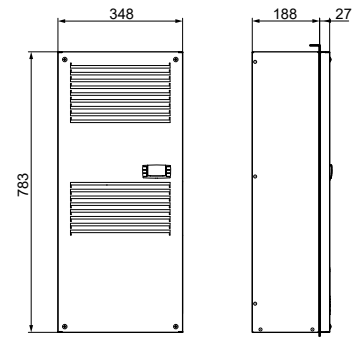


Dimensions

SURFACE

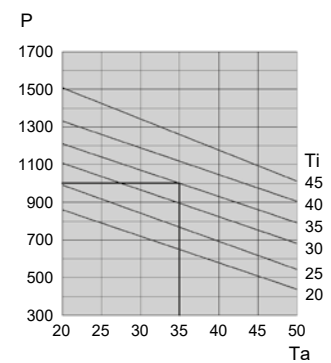


SEMI-RECESSED



| Specifications | Units | Reference AS1000/230 | | Reference ASE1000/230 | |
|----------------------------------------|--------------|--------------------------------|------|---------------------------------------------|----|
| | | SURFACE | | SEMI-RECESSED | |
| Voltage | - | V | 230 | | |
| | | Hz | 50 | | 60 |
| Cooling capacity | A35/A35 | - | | 1000 | |
| | A35/A50 | - | | 790 | |
| Power draw | A35/A35 | - | | 470 | |
| Max. Current | - | - | | 3 | |
| Inrush current | - | - | | 10,5 | |
| T fuse | - | - | | 6 | |
| Air fan capacity | Cabinet | - | | 330 | |
| | External | - | | 570 | |
| Connection type | - | - | | 4-pin plug | |
| Noise level | - | - | | 65 | |
| Weight (without packaging) | - | - | | 28 | |
| Dimensions (HeightxWidthxDepth) | External | mm | | 783x348x216 | |
| | Inner | - | | 783x348x188 | |
| Ambient temperature range | - | °C | | +20 / +55* | |
| Temperature regulation | - | - | | Electronic thermostat, factory set to 35 °C | |
| Coolant | R134a | g | | 200 | |
| Operating cycle | - | % | | 100 | |
| Protection rating | Cabinet side | | IP55 | | |
| | Ambient side | | IP34 | | |
| Colour | - | RAL | | 7035 | |

Graphs



P: Cooling capacity [W]
 Ti: Internal cabinet temperature [°C]
 Ta: Ambient temperature [°C]

Integrated anti-condensation evaporation system.

* 50 °C at 60 Hz.

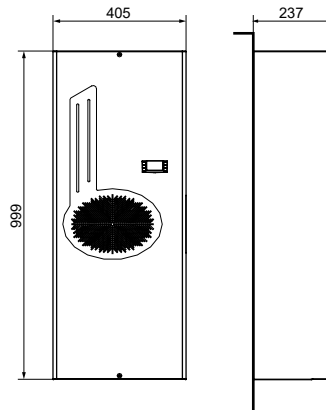
THERMAL MANAGEMENT

Refrigeration

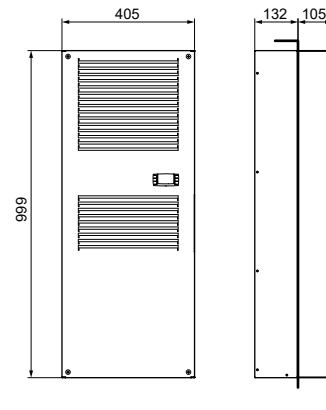


Dimensions

SURFACE

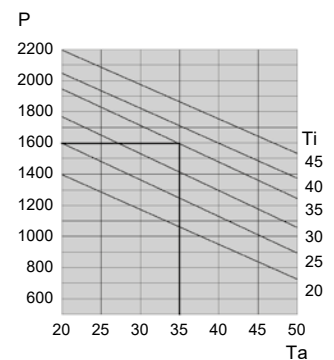


SEMI-RECESSED



| Specifications | Units | Reference AS1600/230 | | Reference ASE1600/230 | |
|----------------------------------------|--------------|--------------------------------|---------------------------------------------|---------------------------------|--|
| | | SURFACE | | SEMI-RECESSED | |
| Voltage | - | V | 230 | | |
| | | Hz | 50 | 60 | |
| Cooling capacity | A35/A35 | W | 1600 | | |
| | A35/A50 | W | 1230 | | |
| Power draw | A35/A35 | W | 820 | | |
| Max. Current | - | A | 5,3 | | |
| Inrush current | - | A | 18 | | |
| T fuse | - | A | 10 | | |
| Air fan capacity | Cabinet | m ³ /h | 570 | | |
| | External | m ³ /h | 1050 | | |
| Connection type | - | - | 4-pin plug | | |
| Noise level | - | dB | 65 | | |
| Weight (without packaging) | - | kg | 40 | | |
| Dimensions (HeightxWidthxDepth) | External | mm | 999x405x237 | 999x405x105 | |
| | Inner | mm | - | 999x405x132 | |
| Ambient temperature range | - | °C | +20 / +55* | | |
| Temperature regulation | - | - | Electronic thermostat, factory set to 35 °C | | |
| Coolant | R134a | g | 330 | | |
| Operating cycle | - | % | 100 | | |
| Protection rating | Cabinet side | | IP55 | | |
| | Ambient side | | IP34 | | |
| Colour | - | RAL | 7035 | | |

Graphs



P: Cooling capacity [W]
 Ti: Internal cabinet temperature [°C]
 Ta: Ambient temperature [°C]

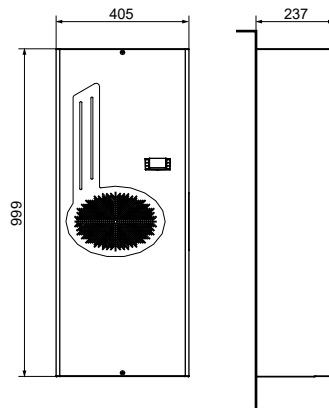
Integrated anti-condensation evaporation system.

* 50 °C at 60 Hz.

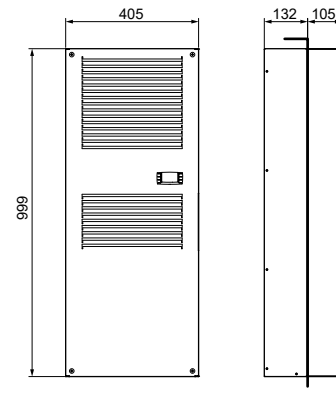


Dimensions

SURFACE



SEMI-RECESSED

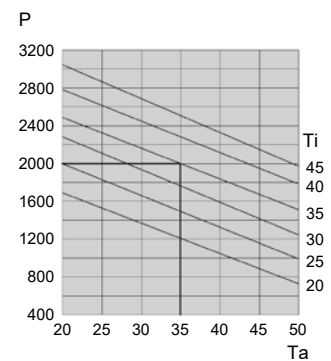


| Specifications | Units | Reference AS2000/230 | | Reference ASE2000/230 | |
|----------------------------------------|--------------|--------------------------------|------|---------------------------------------------|-------------|
| | | SURFACE | | SEMI-RECESSED | |
| Voltage | - | V | 230 | | |
| | | Hz | 50 | | 60 |
| Cooling capacity | A35/A35 | - | | 2000 | |
| | A35/A50 | - | | 1510 | |
| Power draw | A35/A35 | - | | 1080 | |
| Max. Current | - | - | | 6,5 | |
| Inrush current | - | - | | 24 | |
| T fuse | - | - | | 10 | |
| Air fan capacity | Cabinet | - | | 860 | |
| | External | - | | 1050 | |
| Connection type | - | - | | 4-pin plug | |
| Noise level | - | - | | 65 | |
| Weight (without packaging) | - | - | | 52 | |
| Dimensions (HeightxWidthxDepth) | External | mm | | 999x405x237 | 999x405x105 |
| | Inner | - | | - | 999x405x132 |
| Ambient temperature range | - | °C | | +20 / +55* | |
| Temperature regulation | - | - | | Electronic thermostat, factory set to 35 °C | |
| Coolant | R134a | g | | 430 | |
| Operating cycle | - | % | | 100 | |
| Protection rating | Cabinet side | | IP55 | | |
| | Ambient side | | IP34 | | |
| Colour | - | RAL | | 7035 | |

Integrated anti-condensation evaporation system.

*50 °C at 60 Hz.

Graphs



P: Cooling capacity [W]
Ti: Internal cabinet temperature [°C]
Ta: Ambient temperature [°C]

THERMAL MANAGEMENT

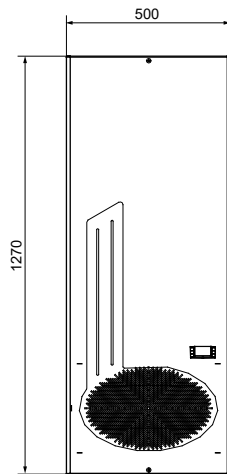
Refrigeration

Surface and semi-recessed air conditioners

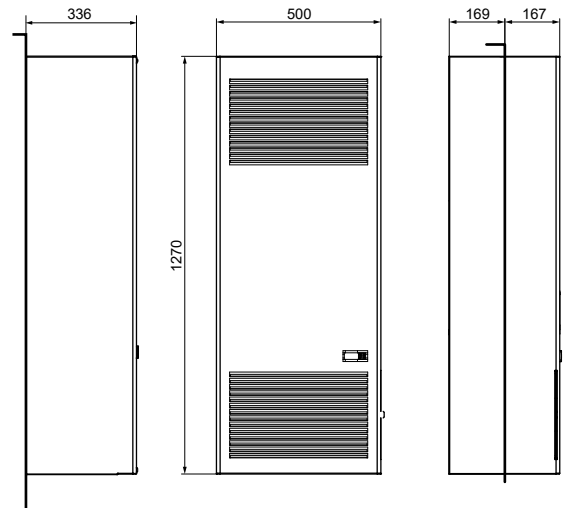


Dimensions

SURFACE

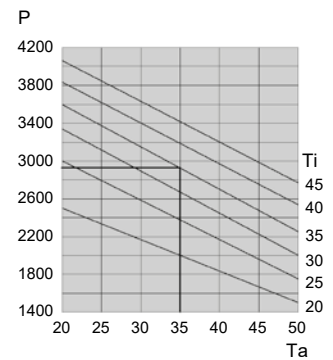


SEMI-RECESSED



| Specifications | Units | Reference AS2900/400 | | Reference ASE2900/400 | |
|----------------------------------------|--------------|--------------------------------|---------------------------------------------|---------------------------------|--|
| | | SURFACE | | SEMI-RECESSED | |
| Voltage | - | V | 400 | | |
| | | Hz | 50 | 60 | |
| Cooling capacity | A35/A35 | W | 2900 | | |
| | A35/A50 | W | 2250 | | |
| Power draw | A35/A35 | W | 1220 | | |
| Max. Current | - | A | 2,6 | | |
| Inrush current | - | A | 14 | | |
| T fuse | - | A | 6 | | |
| Air fan capacity | Cabinet | m ³ /h | 1450 | | |
| | External | m ³ /h | 1450 | | |
| Connection type | - | - | 4-pin plug | | |
| Noise level | - | dB | 70 | | |
| Weight (without packaging) | - | kg | 84 | | |
| Dimensions (HeightxWidthxDepth) | External | mm | 1270x500x336 | 1270x500x167 | |
| | Inner | mm | - | 1270x500x169 | |
| Ambient temperature range | - | °C | +20 / +55* | | |
| Temperature regulation | - | - | Electronic thermostat, factory set to 35 °C | | |
| Coolant | R134a | g | 620 | | |
| Operating cycle | - | % | 100 | | |
| Protection rating | Cabinet side | | IP55 | | |
| | Ambient side | | IP34 | | |
| Colour | - | RAL | 7035 | | |

Graphs



P: Cooling capacity [W]
 Ti: Internal cabinet temperature [°C]
 Ta: Ambient temperature [°C]

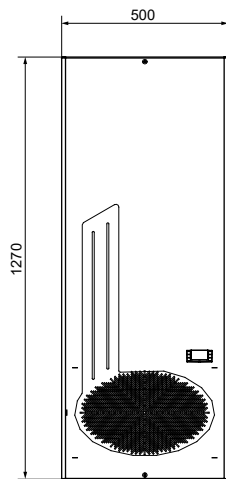
Integrated anti-condensation evaporation system.

* 50 °C at 60 Hz.

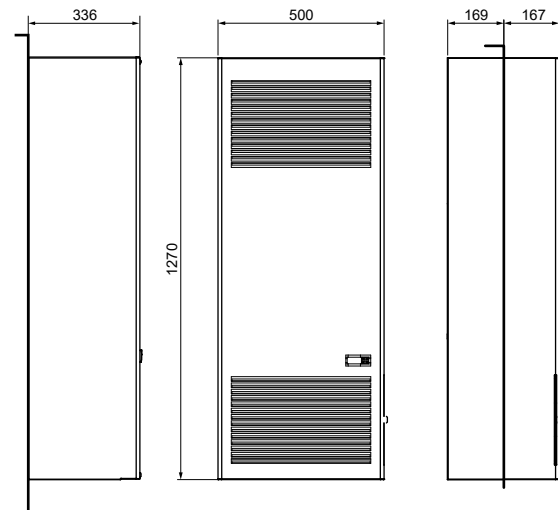


Dimensions

SURFACE

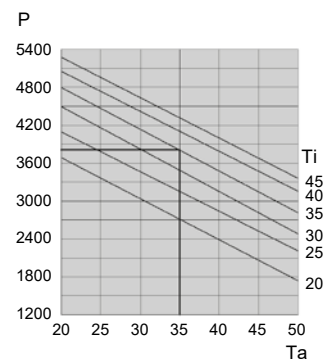


SEMI-RECESSED



| Specifications | Units | Reference AS3850/400 | | Reference ASE3850/400 | |
|----------------------------------------|--------------|--------------------------------|---------------------------------------------|---------------------------------|--------------|
| | | SURFACE | | SEMI-RECESSED | |
| Voltage | - | V | 400 | | |
| | | Hz | 50 | 60 | |
| Cooling capacity | A35/A35 | W | 3850 | | |
| | A35/A50 | | 2870 | | |
| Power draw | A35/A35 | W | 1780 | | |
| Max. Current | - | A | 3,6 | | |
| Inrush current | - | A | 18 | | |
| T fuse | - | A | 8 | | |
| Air fan capacity | Cabinet | m ³ /h | 1450 | | |
| | External | | 1450 | | |
| Connection type | - | - | 4-pin plug | | |
| Noise level | - | dB | 70 | | |
| Weight (without packaging) | - | kg | 85 | | |
| Dimensions (HeightxWidthxDepth) | External | mm | 1270x500x336 | | 1270x500x167 |
| | Inner | | - | | 1270x500x169 |
| Ambient temperature range | - | °C | +20 / +55* | | |
| Temperature regulation | - | - | Electronic thermostat, factory set to 35 °C | | |
| Coolant | R134a | g | 690 | | |
| Operating cycle | - | % | 100 | | |
| Protection rating | Cabinet side | | IP55 | | |
| | Ambient side | | IP34 | | |
| Colour | - | RAL | 7035 | | |

Graphs



P: Cooling capacity [W]
 Ti: Internal cabinet temperature [°C]
 Ta: Ambient temperature [°C]

Integrated anti-condensation evaporation system.

* 50 °C at 60 Hz.

THERMAL MANAGEMENT

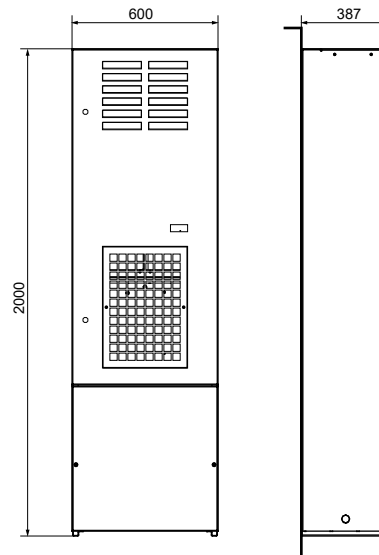
Refrigeration

Surface air conditioners



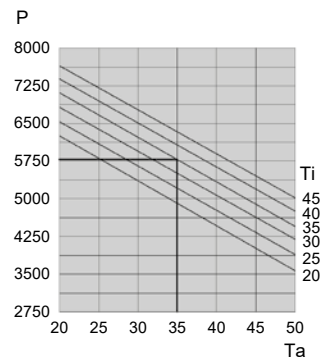
Dimensions

SURFACE



| Specifications | Units | Reference AS5800/400 |
|------------------------------------------|--------------|--------------------------------|
| SURFACE | | |
| Voltage | - | V |
| | - | Hz |
| Cooling capacity | A35/A35 | W |
| | A35/A50 | W |
| Power draw | A35/A35 | W |
| Max. Current | - | A |
| Start-up current | - | A |
| T fuse | - | A |
| Air fan capacity | Cabinet | m ³ /h |
| | External | m ³ /h |
| Connection type | - | - |
| Noise level | - | dB |
| Weight (without packaging) | - | kg |
| Dimensions (HeightxWidthxDensity) | - | mm |
| Ambient temperature range | - | °C |
| Temperature regulation | - | - |
| Coolant | R407c | g |
| Operating cycle | - | % |
| Protection rating | Cabinet side | - |
| | Ambient side | - |
| Colour | - | RAL |

Graphs



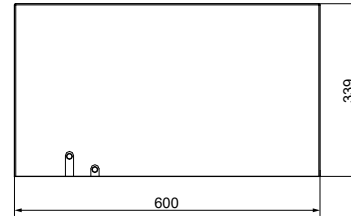
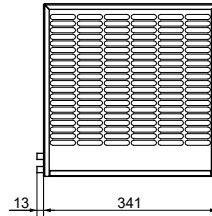
P: Cooling capacity [W]
 Ti: Internal cabinet temperature [°C]
 Ta: Ambient temperature [°C]

Integrated anti-condensation evaporation system.

* 50 °C at 60 Hz.

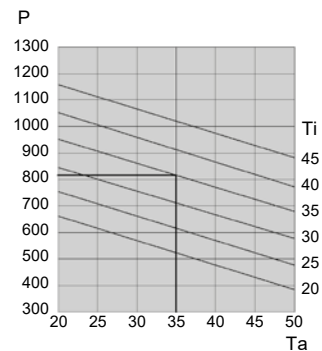
Ceiling air conditioners

Dimensions



| Specifications | Units | Reference AT820/230 |
|----------------------------------------|--------------|---------------------------------------------|
| Voltage | V | 230 |
| | Hz | 50 60 |
| Cooling capacity | A35/A35 | 820 |
| | A35/A50 | 680 |
| Power draw | A35/A35 | 510 |
| Max. Current | - | A 2,9 |
| Start-up current | - | A 12 |
| T fuse | - | A 6 |
| Air fan capacity | Cabinet | m ³ /h 570 |
| | External | 860 |
| Connection type | - | 4-pin plug |
| Noise level | - | dB 62 |
| Weight (without packaging) | - | kg 23 |
| Dimensions (HeightxWidthxDepth) | - | mm 339x341x600 |
| Ambient temperature range | - | °C +20 / +55* |
| Temperature regulation | - | Electronic thermostat, factory set to 35 °C |
| Coolant | R134a | g 310 |
| Operating cycle | - | % 100 |
| Protection rating | Cabinet side | IP54 |
| | Ambient side | IP34 |
| Colour | - | RAL 7035 |

Graphs



P: Cooling capacity [W]
 Ti: Internal cabinet temperature [°C]
 Ta: Ambient temperature [°C]

Conditioners are equipped with dual condensate outlets in the electrical cabinet. The service outlet allows condensate to drain off under normal operating conditions. In the event that the service hose or the internal path for the condensate is blocked, the condensate will drain out through the emergency outlet.

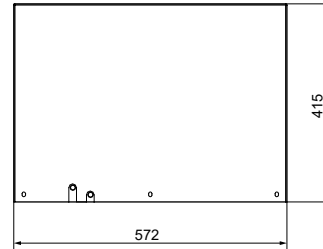
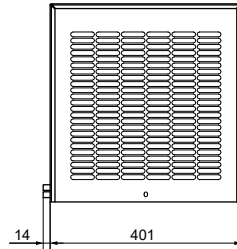
* 50 °C at 60 Hz.

THERMAL MANAGEMENT

Refrigeration

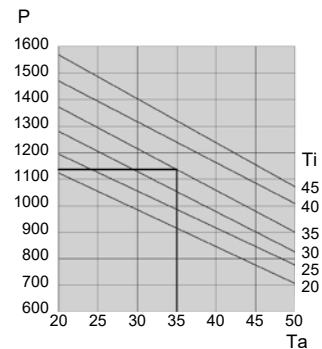
Ceiling air conditioners

Dimensions



| Specifications | Units | Reference AT1150/230 |
|------------------------------------------|--------------|---------------------------------------------|
| Voltage | V | 230 |
| | Hz | 50 60 |
| Cooling capacity | A35/A35 | 1150 |
| | A35/A50 | 900 |
| Power draw | A35/A35 | 550 |
| Max. Current | - | 3,2 |
| Start-up current | - | 11 |
| T fuse | - | 6 |
| Air fan capacity | Cabinet | 570 |
| | External | 1010 |
| Connection type | - | 4-pin plug |
| Noise level | - | 65 |
| Weight (without packaging) | - | 40 |
| Dimensions (HeightxWidthxDensity) | - | 415x401x572 |
| Ambient temperature range | - | +20 / +55* |
| Temperature regulation | - | Electronic thermostat, factory set to 35 °C |
| Coolant | R134a | 630 |
| Operating cycle | - | 100 |
| Protection rating | Cabinet side | IP54 |
| | Ambient side | IP34 |
| Colour | - | RAL 7035 |

Graphs

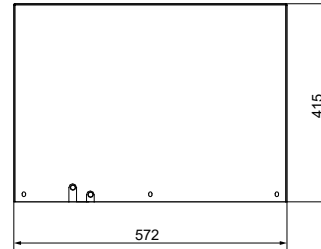
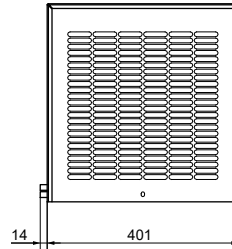


P: Cooling capacity [W]
 Ti: Internal cabinet temperature [°C]
 Ta: Ambient temperature [°C]

Conditioners are equipped with dual condensate outlets in the electrical cabinet. The service outlet allows condensate to drain off under normal operating conditions. In the event that the service hose or the internal path for the condensate is blocked, the condensate will drain out through the emergency outlet.

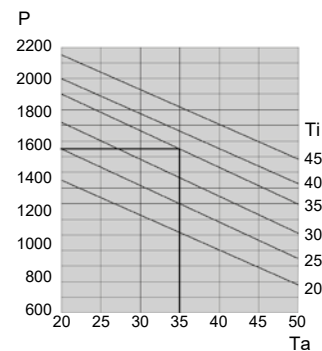
* 50 °C at 60 Hz.

Dimensions



| Specifications | Units | Reference AT1550/230 | |
|------------------------------------------|--------------|-------------------------|---------------------------------------------|
| Voltage | - | V | 230 |
| | - | Hz | 50 60 |
| Cooling capacity | A35/A35 | W | 1550 |
| | A35/A50 | W | 1200 |
| Power draw | A35/A35 | W | 810 |
| Max. Current | - | A | 4,5 |
| Start-up current | - | A | 18 |
| T fuse | - | A | 8 |
| Air fan capacity | Cabinet | m ³ /h | 860 |
| | External | m ³ /h | 1820 |
| Connection type | - | - | 4-pin plug |
| Noise level | - | dB | 65 |
| Weight (without packaging) | - | kg | 44 |
| Dimensions (HeightxWidthxDensity) | - | mm | 415x401x572 |
| Ambient temperature range | - | °C | +20 / +55* |
| Temperature regulation | - | - | Electronic thermostat, factory set to 35 °C |
| Coolant | R134a | g | 540 |
| Operating cycle | - | % | 100 |
| Protection rating | Cabinet side | | IP54 |
| | Ambient side | | IP34 |
| Colour | - | RAL | 7035 |

Graphs



P: Cooling capacity [W]
 Ti: Internal cabinet temperature [°C]
 Ta: Ambient temperature [°C]

Conditioners are equipped with dual condensate outlets in the electrical cabinet. The service outlet allows condensate to drain off under normal operating conditions. In the event that the service hose or the internal path for the condensate is blocked, the condensate will drain out through the emergency outlet.

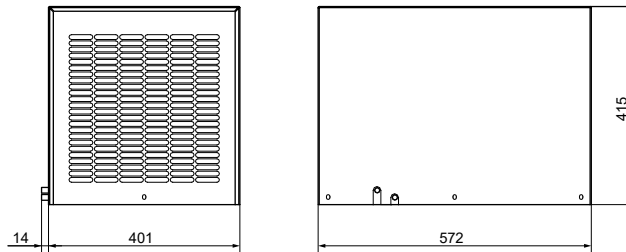
* 50 °C at 60 Hz.

THERMAL MANAGEMENT

Refrigeration

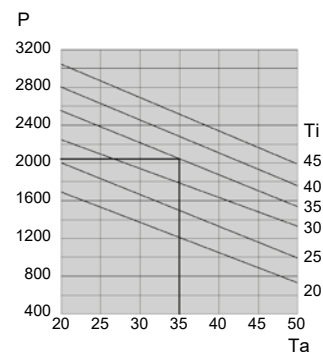
Ceiling air conditioners

Dimensions



| Specifications | Units | Reference AT2050/230 |
|----------------------------------------|--------------|---------------------------------------------|
| Voltage | V | 230 |
| | Hz | 50 60 |
| Cooling capacity | A35/A35 | 2050 |
| | A35/A50 | 1560 |
| Power draw | A35/A35 | 1190 |
| Max. Current | A | 6 |
| Start-up current | A | 24 |
| T fuse | A | 10 |
| Air fan capacity | Cabinet | 1050 |
| | External | 1820 |
| Connection type | - | 4-pin plug |
| Noise level | dB | 65 |
| Weight (without packaging) | kg | 50 |
| Dimensions (HeightxWidthxDepth) | mm | 415x401x572 |
| Ambient temperature range | °C | +20 / +55* |
| Temperature regulation | - | Electronic thermostat, factory set to 35 °C |
| Coolant | R134a | g 550 |
| Operating cycle | % | 100 |
| Protection rating | Cabinet side | IP54 |
| | Ambient side | IP34 |
| Colour | RAL | 7035 |

Graphs

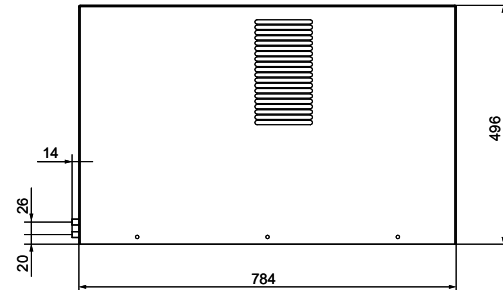
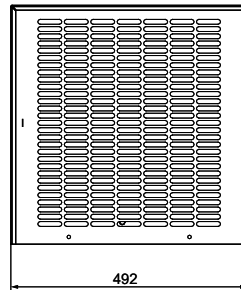


P: Cooling capacity [W]
 Ti: Internal cabinet temperature [°C]
 Ta: Ambient temperature [°C]

Conditioners are equipped with dual condensate outlets in the electrical cabinet. The service outlet allows condensate to drain off under normal operating conditions. In the event that the service hose or the internal path for the condensate is blocked, the condensate will drain out through the emergency outlet.

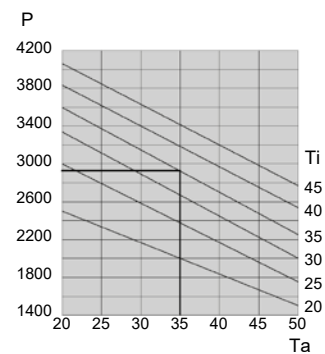
* 50 °C at 60 Hz.

Dimensions



| Specifications | Units | Reference AT2900/400 |
|----------------------------------------|--------------|---------------------------------------------|
| Voltage | V | 400 |
| | Hz | 50 60 |
| Cooling capacity | A35/A35 | 2900 |
| | A35/A50 | 2250 |
| Power draw | A35/A35 | 1210 |
| Max. Current | - | 2,5 |
| Start-up current | - | 15,7 |
| T fuse | - | 6 |
| Air fan capacity | Cabinet | 860 |
| | External | 3410 |
| Connection type | - | 4-pin plug |
| Noise level | - | 75 |
| Weight (without packaging) | - | 83 |
| Dimensions (HeightxWidthxDepth) | - | 496x492x784 |
| Ambient temperature range | - | +20 / +50 |
| Temperature regulation | - | Electronic thermostat, factory set to 35 °C |
| Coolant | R134a | g 1200 |
| Operating cycle | - | % 100 |
| Protection rating | Cabinet side | IP54 |
| | Ambient side | IP34 |
| Colour | - | RAL 7035 |

Graphs



P: Cooling capacity [W]
 Ti: Internal cabinet temperature [°C]
 Ta: Ambient temperature [°C]

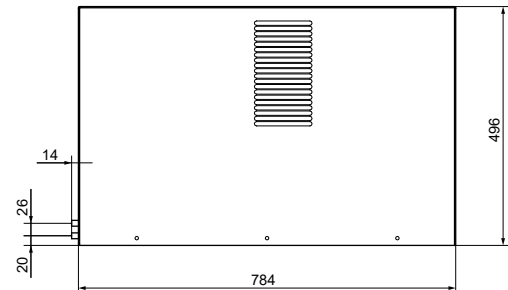
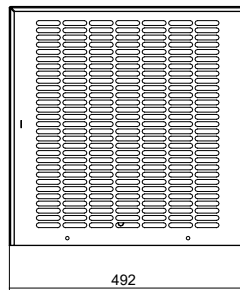
Conditioners are equipped with dual condensate outlets in the electrical cabinet. The service outlet allows condensate to drain off under normal operating conditions. In the event that the service hose or the internal path for the condensate is blocked, the condensate will drain out through the emergency outlet.

THERMAL MANAGEMENT

Refrigeration

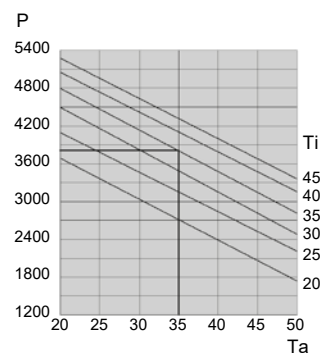
Ceiling air conditioners

Dimensions



| Specifications | Units | | Reference AT3850/400 |
|------------------------------------------|--------------|-------------------|---------------------------------------------|
| Voltage | - | V | 400 |
| | - | Hz | 50 60 |
| Cooling capacity | A35/A35 | W | 3850 |
| | A35/A50 | W | 2870 |
| Power draw | A35/A35 | W | 1630 |
| Max. Current | - | A | 3,4 |
| Start-up current | - | A | 17 |
| T fuse | - | A | 6 |
| Air fan capacity | Cabinet | m ³ /h | 1450 |
| | External | m ³ /h | 3410 |
| Connection type | - | - | 4-pin plug |
| Noise level | - | dB | 75 |
| Weight (without packaging) | - | kg | 86 |
| Dimensions (HeightxWidthxDensity) | - | mm | 496x492x784 |
| Ambient temperature range | - | °C | +20 / +50 |
| Temperature regulation | - | - | Electronic thermostat, factory set to 35 °C |
| Coolant | R134a | g | 2000 |
| Operating cycle | - | % | 100 |
| Protection rating | Cabinet side | | IP54 |
| | Ambient side | | IP34 |
| Colour | - | RAL | 7035 |

Graphs

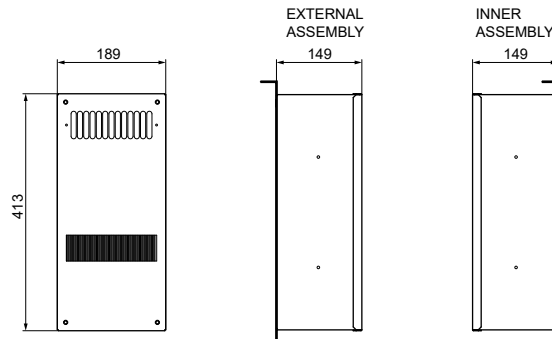


P: Cooling capacity [W]
 Ti: Internal cabinet temperature [°C]
 Ta: Ambient temperature [°C]

Conditioners are equipped with dual condensate outlets in the electrical cabinet. The service outlet allows condensate to drain off under normal operating conditions. In the event that the service hose or the internal path for the condensate is blocked, the condensate will drain out through the emergency outlet.

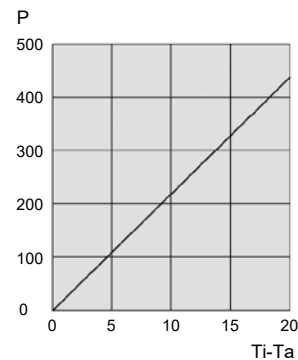
Air-air heat exchanger

Dimensions



| Specifications | Units | Reference IR22/230 | |
|----------------------------------------|--------------|-----------------------|-------------|
| Voltage | - | V | 230 |
| | - | Hz | 50 60 |
| Cooling capacity | - | W/K | 22 |
| Power draw | - | W | 72 |
| Max. Current | - | A | 0,5 |
| T fuse | - | A | 1 |
| Air fan capacity | Cabinet | m ³ /h | 280 |
| | External | | |
| Connection type | - | m | Cable L=3 |
| Noise level | - | dB | 59 |
| Weight (without packaging) | - | kg | 7 |
| Dimensions (HeightxWidthxDepth) | - | mm | 413x189x149 |
| Ambient temperature range | - | °C | -5 / +55 |
| Operating cycle | - | % | 100 |
| Protection rating | Cabinet side | | IP54 |
| Colour | - | RAL | 7035 |

Graphs



P: Cooling capacity [W]
 Ti: Internal cabinet temperature [°C]
 Ta: Ambient temperature [°C]
 Temperature differential $\Delta T = T_i - T_a$ [K]

All heat exchangers can be installed both inside and outside the cabinet.

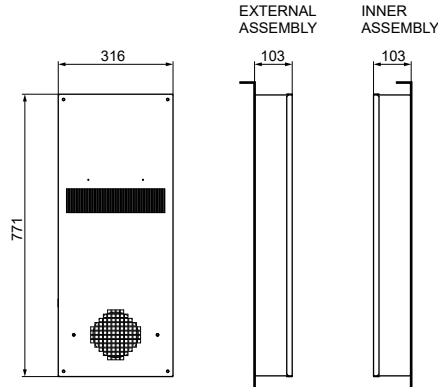
THERMAL MANAGEMENT

Refrigeration

Air-air heat exchanger

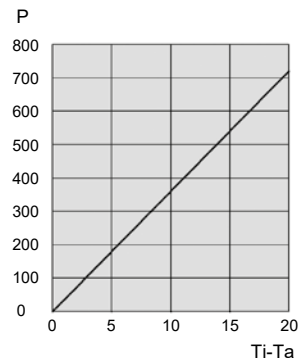


Dimensions



| Specifications | Units | Reference IR36/230 | |
|------------------------------------------|--------------|-----------------------|-------------|
| Voltage | - | V | 230 |
| | - | Hz | 50 60 |
| Cooling capacity | - | W/K | 36 |
| Power draw | - | W | 160 |
| Max. Current | - | A | 0,64 |
| T fuse | - | A | 1 |
| Air fan capacity | Cabinet | m ³ /h | 570 |
| | External | m ³ /h | 570 |
| Connection type | - | m | Cable L=3 |
| Noise level | - | dB | 67 |
| Weight (without packaging) | - | kg | 10 |
| Dimensions (HeightxWidthxDensity) | - | mm | 771x316x103 |
| Ambient temperature range | - | °C | -5 / +55 |
| Operating cycle | - | % | 100 |
| Protection rating | Cabinet side | | IP54 |
| Colour | - | RAL | 7035 |

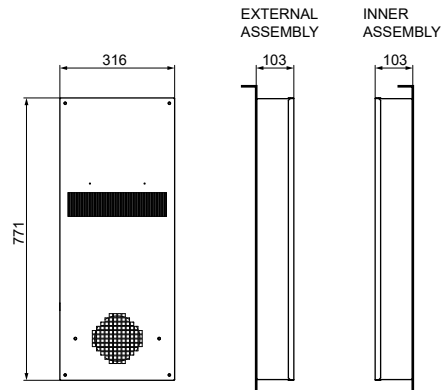
Graphs



P: Cooling capacity [W]
 Ti: Internal cabinet temperature [°C]
 Ta: Ambient temperature [°C]
 Temperature differential $\Delta T = T_i - T_a$ [K]

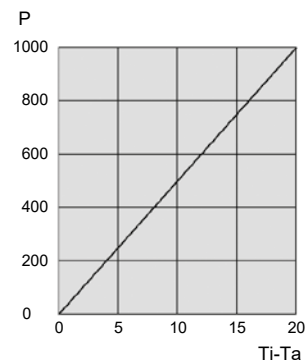
All heat exchangers can be installed both inside and outside the cabinet.

Dimensions



| Specifications | Units | Reference IR50/230 | |
|----------------------------------------|--------------|-----------------------|-------------|
| Voltage | - | V | 230 |
| | - | Hz | 50 60 |
| Cooling capacity | - | W/K | 50 |
| Power draw | - | W | 160 |
| Max. Current | - | A | 0,64 |
| T fuse | - | A | 1 |
| Air fan capacity | Cabinet | m ³ /h | 600 |
| | External | | 600 |
| Connection type | - | m | Cable L=3 |
| Noise level | - | dB | 67 |
| Weight (without packaging) | - | kg | 10 |
| Dimensions (HeightxWidthxDepth) | - | mm | 771x316x103 |
| Ambient temperature range | - | °C | -5 / +55 |
| Operating cycle | - | % | 100 |
| Protection rating | Cabinet side | | IP54 |
| Colour | - | RAL | 7035 |

Graphs



P: Cooling capacity [W]
 Ti: Internal cabinet temperature [°C]
 Ta: Ambient temperature [°C]
 Temperature differential $\Delta T = T_i - T_a$ [K]

All heat exchangers can be installed both inside and outside the cabinet.

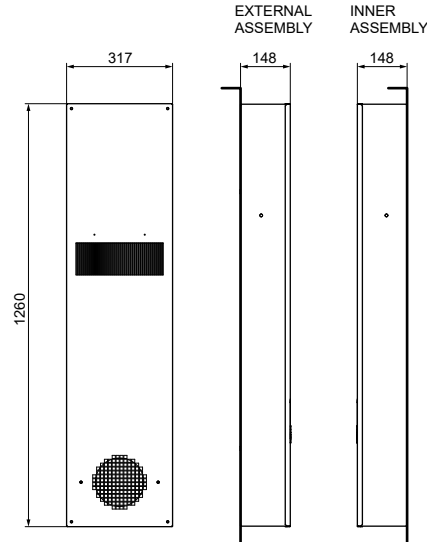
THERMAL MANAGEMENT

Refrigeration

Air-air heat exchanger

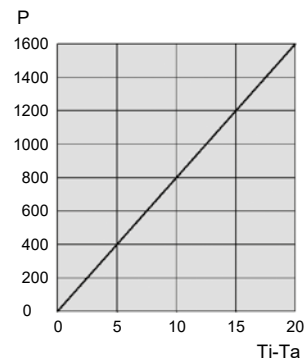


Dimensions



| Specifications | Units | Reference IR80/230 |
|----------------------------------------|--------------|------------------------|
| Voltage | - | V 230 |
| | - | Hz 50 60 |
| Cooling capacity | - | W/K 80 |
| Power draw | - | W 240 |
| Max. Current | - | A 1,06 |
| T fuse | - | A 2 |
| Air fan capacity | Cabinet | m ³ /h 1050 |
| | External | m ³ /h 1050 |
| Connection type | - | m Cable L=3 |
| Noise level | - | dB 75 |
| Weight (without packaging) | - | kg 17 |
| Dimensions (HeightxWidthxDepth) | - | mm 1260x317x148 |
| Ambient temperature range | - | °C -5 / +55 |
| Operating cycle | - | % 100 |
| Protection rating | Cabinet side | IP54 |
| Colour | - | RAL 7035 |

Graphs

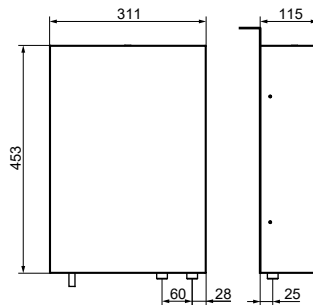


P: Cooling capacity [W]
 Ti: Internal cabinet temperature [°C]
 Ta: Ambient temperature [°C]
 Temperature differential $\Delta T = T_i - T_a$ [K]

All heat exchangers can be installed both inside and outside the cabinet.

Air-water heat exchanger

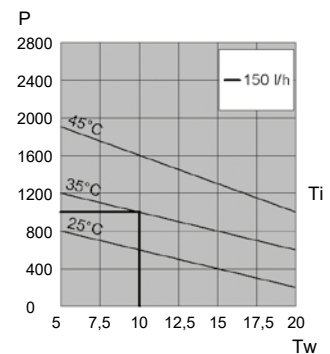
Dimensions



| Specifications | Units | | Reference IG1000/230 | Reference IGV1000/230 |
|----------------------------------------|--------------|-------------------|-------------------------|--------------------------|
| Voltage | - | V | 230 | |
| | | Hz | 50 | 60 |
| Cooling capacity | W10/A35 | W | 1000 | |
| Power draw | W10/A35 | W | 29 | |
| Max. Current | - | A | 0,17 | |
| T fuse | - | A | 2 | |
| Thermostat | - | - | No | Yes |
| Solenoid valve | - | - | No | Yes |
| Air fan capacity | - | m ³ /h | 330 | |
| Connection type | Electrical | m | Cable L=3 | |
| | Water | - | 3/8"G | |
| Noise level | - | dB | 55 | |
| Weight (without packaging) | - | kg | 12 | |
| Dimensions (HeightxWidthxDepth) | - | mm | 453x311x115 | |
| Ambient temperature range | - | °C | +1 / +70 | |
| Internal temperature range | - | °C | +20 / +60 | |
| Max. circuit pressure | - | bar | 10 | |
| Operating cycle | - | % | 100 | |
| Protection rating | Cabinet side | | IP55 | |
| Colour | - | RAL | 7035 | |

The special layout of these machines means they do not require regular/scheduled maintenance (replacement of filters or cleaning of the heat exchanger) to guarantee full operation.

Graphs



P: Cooling capacity [W]
Ti: Internal cabinet temperature [°C]
Tw: Water inlet temperature [°C]

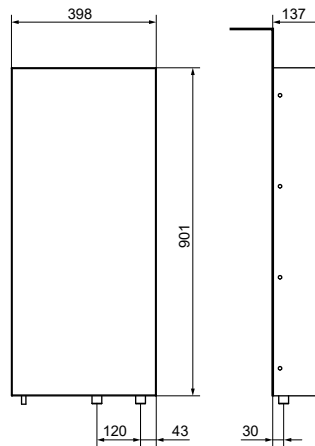
THERMAL MANAGEMENT

Refrigeration

Air-water heat exchanger



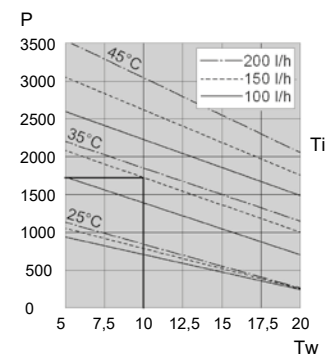
Dimensions



| Specifications | Units | Reference IG1750/230 | | Reference IGV1750/230 | | |
|----------------------------------------|--------------|--------------------------------|-------------|---------------------------------|-----|----|
| | | | | | | |
| Voltage | - | V | 230 | | 230 | |
| | | Hz | 50 | 60 | 50 | 60 |
| Cooling capacity | W10/A35 | W | 1750 | | | |
| Power draw | W10/A35 | W | 75 | | | |
| Max. Current | - | A | 0,36 | | | |
| T fuse | - | A | 2 | | | |
| Thermostat | - | - | No | | Yes | |
| Solenoid valve | - | - | No | | Yes | |
| Air fan capacity | - | m ³ /h | 570 | | | |
| Connection type | Electrical | m | Cable L=3 | | | |
| | Water | - | 1/2"G | | | |
| Noise level | - | dB | 58 | | | |
| Weight (without packaging) | - | kg | 18 | | | |
| Dimensions (HeightxWidthxDepth) | - | mm | 901x398x137 | | | |
| Ambient temperature range | - | °C | +1 / +70 | | | |
| Internal temperature range | - | °C | +20 / +60 | | | |
| Max. circuit pressure | - | bar | 10 | | | |
| Operating cycle | - | % | 100 | | | |
| Protection rating | Cabinet side | | IP55 | | | |
| Colour | - | RAL | 7035 | | | |

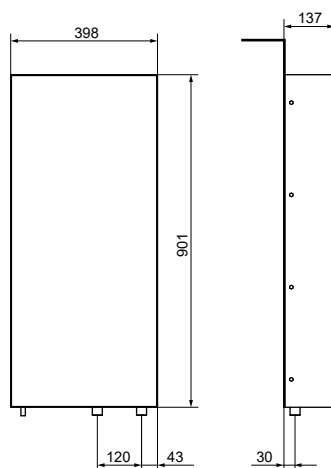
The special layout of these machines means they do not require regular/scheduled maintenance (replacement of filters or cleaning of the heat exchanger) to guarantee full operation.

Graphs



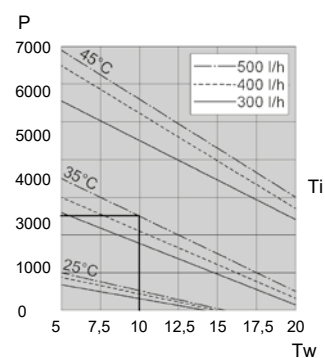
P: Cooling capacity [W]
 Ti: Internal cabinet temperature [°C]
 Tw: Water inlet temperature [°C]

Dimensions



| Specifications | Units | Reference IG2500/230 | | Reference IGV2500/230 | | |
|----------------------------------------|--------------|--------------------------------|-------------|---------------------------------|-----|----|
| | | | | | | |
| Voltage | - | V | 230 | | 230 | |
| | | Hz | 50 | 60 | 50 | 60 |
| Cooling capacity | W10/A35 | W | 2500 | | | |
| Power draw | W10/A35 | W | 80 | | | |
| Max. Current | - | A | 0,33 | | | |
| T fuse | - | A | 2 | | | |
| Thermostat | - | - | No | | Yes | |
| Solenoid valve | - | - | No | | Yes | |
| Air fan capacity | - | m ³ /h | 860 | | | |
| Connection type | Electrical | m | Cable L=3 | | | |
| | Water | - | 1/2"G | | | |
| Noise level | - | dB | 58 | | | |
| Weight (without packaging) | - | kg | 19 | | | |
| Dimensions (HeightxWidthxDepth) | - | mm | 901x398x137 | | | |
| Ambient temperature range | - | °C | +1 / +70 | | | |
| Internal temperature range | - | °C | +20 / +60 | | | |
| Max. circuit pressure | - | bar | 10 | | | |
| Operating cycle | - | % | 100 | | | |
| Protection rating | Cabinet side | | IP55 | | | |
| Colour | - | RAL | 7035 | | | |

Graphs



P: Cooling capacity [W]
 Ti: Internal cabinet temperature [°C]
 Tw: Water inlet temperature [°C]

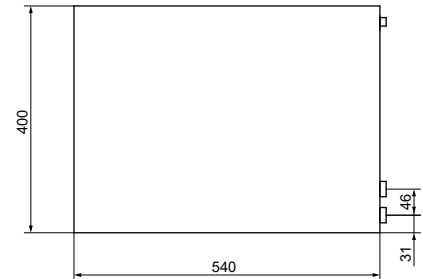
The special layout of these machines means they do not require regular/scheduled maintenance (replacement of filters or cleaning of the heat exchanger) to guarantee full operation.

THERMAL MANAGEMENT

Refrigeration

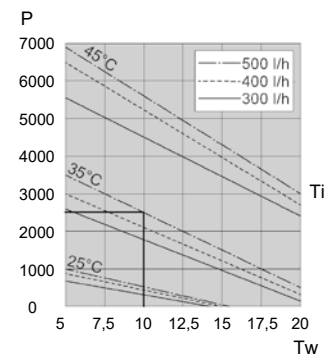
Ceiling air-water heat exchanger

Dimensions



| Specifications | Units | Reference IGT2500/230 | Reference IGVT2500/230 |
|----------------------------------------|--------------|--------------------------|---------------------------|
| Voltage | - | V | 230 |
| | | Hz | 50 60 |
| Cooling capacity | W10/A35 | W | 2500 |
| Power draw | W10/A35 | W | 65 |
| Max. Current | - | A | 0,3 |
| T fuse | - | A | 2 |
| Thermostat | - | - | No Yes |
| Solenoid valve | - | - | No Yes |
| Air fan capacity | - | m ³ /h | 750 |
| Connection type | Electrical | m | Cable L=3 |
| | Water | - | 1/2" G |
| Noise level | - | dB | 58 |
| Weight (without packaging) | - | kg | 19 |
| Dimensions (HeightxWidthxDepth) | - | mm | 270x400x540 |
| Ambient temperature range | - | °C | +1 / +70 |
| Internal temperature range | - | °C | +20 / +60 |
| Max. circuit pressure | - | bar | 10 |
| Operating cycle | - | % | 100 |
| Protection rating | Cabinet side | | IP55 |
| Colour | - | RAL | 7035 |

Graphs



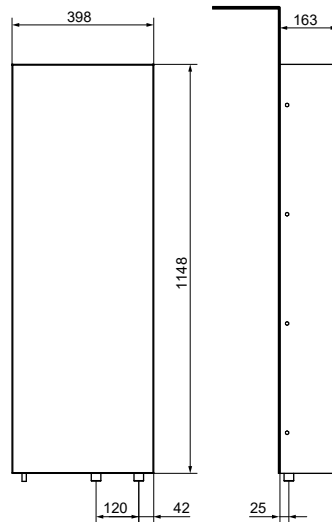
P: Cooling capacity [W]
 Ti: Internal cabinet temperature [°C]
 Tw: Water inlet temperature [°C]

The special layout of these machines means they do not require regular/scheduled maintenance (replacement of filters or cleaning of the heat exchanger) to guarantee full operation.

Air-water heat exchanger



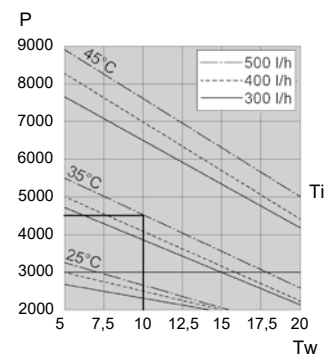
Dimensions



| Specifications | Units | Reference IG4500/230 | | Reference IGV4500/230 | | |
|----------------------------------------|--------------|--------------------------------|--------------|---------------------------------|-----|----|
| | | | | | | |
| Voltage | - | V | 230 | | 230 | |
| | | Hz | 50 | 60 | 50 | 60 |
| Cooling capacity | W10/A35 | W | 4500 | | | |
| Power draw | W10/A35 | W | 160 | | | |
| Max. Current | - | A | 0,71 | | | |
| T fuse | - | A | 2 | | | |
| Thermostat | - | - | No | | Yes | |
| Solenoid valve | - | - | No | | Yes | |
| Air fan capacity | - | m ³ /h | 1450 | | | |
| Connection type | Electrical | m | Cable L=3 | | | |
| | Water | - | 1/2"G | | | |
| Noise level | - | dB | 69 | | | |
| Weight (without packaging) | - | kg | 30 | | | |
| Dimensions (HeightxWidthxDepth) | - | mm | 1148x398x163 | | | |
| Ambient temperature range | - | °C | +1 / +70 | | | |
| Internal temperature range | - | °C | +20 / +60 | | | |
| Max. circuit pressure | - | bar | 10 | | | |
| Operating cycle | - | % | 100 | | | |
| Protection rating | Cabinet side | | IP55 | | | |
| Colour | - | RAL | 7035 | | | |

The special layout of these machines means they do not require regular/scheduled maintenance (replacement of filters or cleaning of the heat exchanger) to guarantee full operation.

Graphs



P: Cooling capacity [W]
 Ti: Internal cabinet temperature [°C]
 Tw: Water inlet temperature [°C]

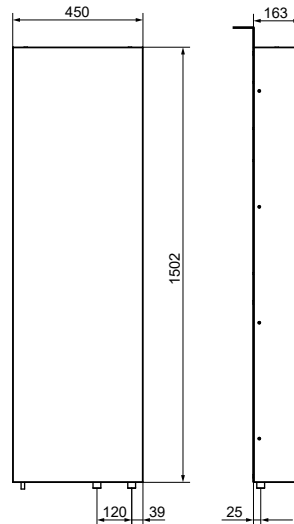
THERMAL MANAGEMENT

Refrigeration

Air-water heat exchanger

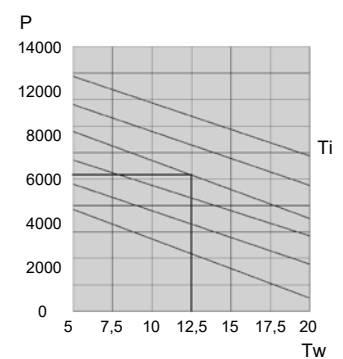


Dimensions



| Specifications | Units | | Reference IG6000/230 | | Reference IGV6000/230 | |
|----------------------------------------|--------------|-------------------|--------------------------------|----|---------------------------------|----|
| | | | | | | |
| Voltage | - | V | 230 | | 230 | |
| | | Hz | 50 | 60 | 50 | 60 |
| Cooling capacity | W10/A35 | W | 6000 | | | |
| Power draw | W10/A35 | W | 160 | | | |
| Max. Current | - | A | 0,71 | | | |
| T fuse | - | A | 2 | | | |
| Thermostat | - | - | No | | Yes | |
| Solenoid valve | - | - | No | | Yes | |
| Air fan capacity | - | m ³ /h | 1450 | | | |
| Connection type | Electrical | m | Cable L=3 | | | |
| | Water | - | 1/2"G | | | |
| Noise level | - | dB | 69 | | | |
| Weight (without packaging) | - | kg | 40 | | | |
| Dimensions (HeightxWidthxDepth) | - | mm | 1502x450x163 | | | |
| Ambient temperature range | - | °C | +1 / +70 | | | |
| Internal temperature range | - | °C | +20 / +60 | | | |
| Max. circuit pressure | - | bar | 10 | | | |
| Operating cycle | - | % | 100 | | | |
| Protection rating | Cabinet side | | IP55 | | | |
| Colour | - | RAL | 7035 | | | |

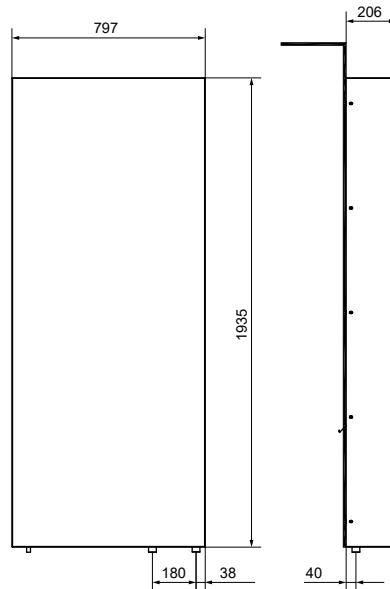
Graphs



P: Cooling capacity [W]
 Ti: Internal cabinet temperature [°C]
 Tw: Water inlet temperature [°C]

The special layout of these machines means they do not require regular/scheduled maintenance (replacement of filters or cleaning of the heat exchanger) to guarantee full operation.

Dimensions



Specifications

Units

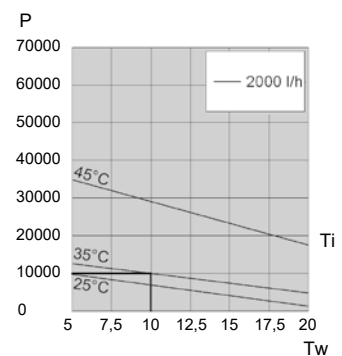
Reference
IG10000/230

Reference
IGV10000/230

| Specifications | Units | Reference IG10000/230 | Reference IGV10000/230 |
|----------------------------------------|--------------|---------------------------------|----------------------------------|
| Voltage | - | V | 230 |
| | - | Hz | 50 60 50 60 |
| Cooling capacity | W10/A35 | W | 10000 |
| Power draw | W10/A35 | W | 420 |
| Max. Current | - | A | 1,9 |
| T fuse | - | A | 4 |
| Thermostat | - | - | No Yes |
| Solenoid valve | - | - | No Yes |
| Air fan capacity | - | m ³ /h | 2900 |
| Connection type | Electrical | m | Cable L=3 |
| | Water | - | 3/4" G |
| Noise level | - | dB | 70 |
| Weight (without packaging) | - | kg | 90 |
| Dimensions (HeightxWidthxDepth) | - | mm | 1935x797x206 |
| Ambient temperature range | - | °C | +1 / +70 |
| Internal temperature range | - | °C | +20 / +60 |
| Max. circuit pressure | - | bar | 10 |
| Operating cycle | - | % | 100 |
| Protection rating | Cabinet side | | IP55 |
| Colour | - | RAL | 7035 |

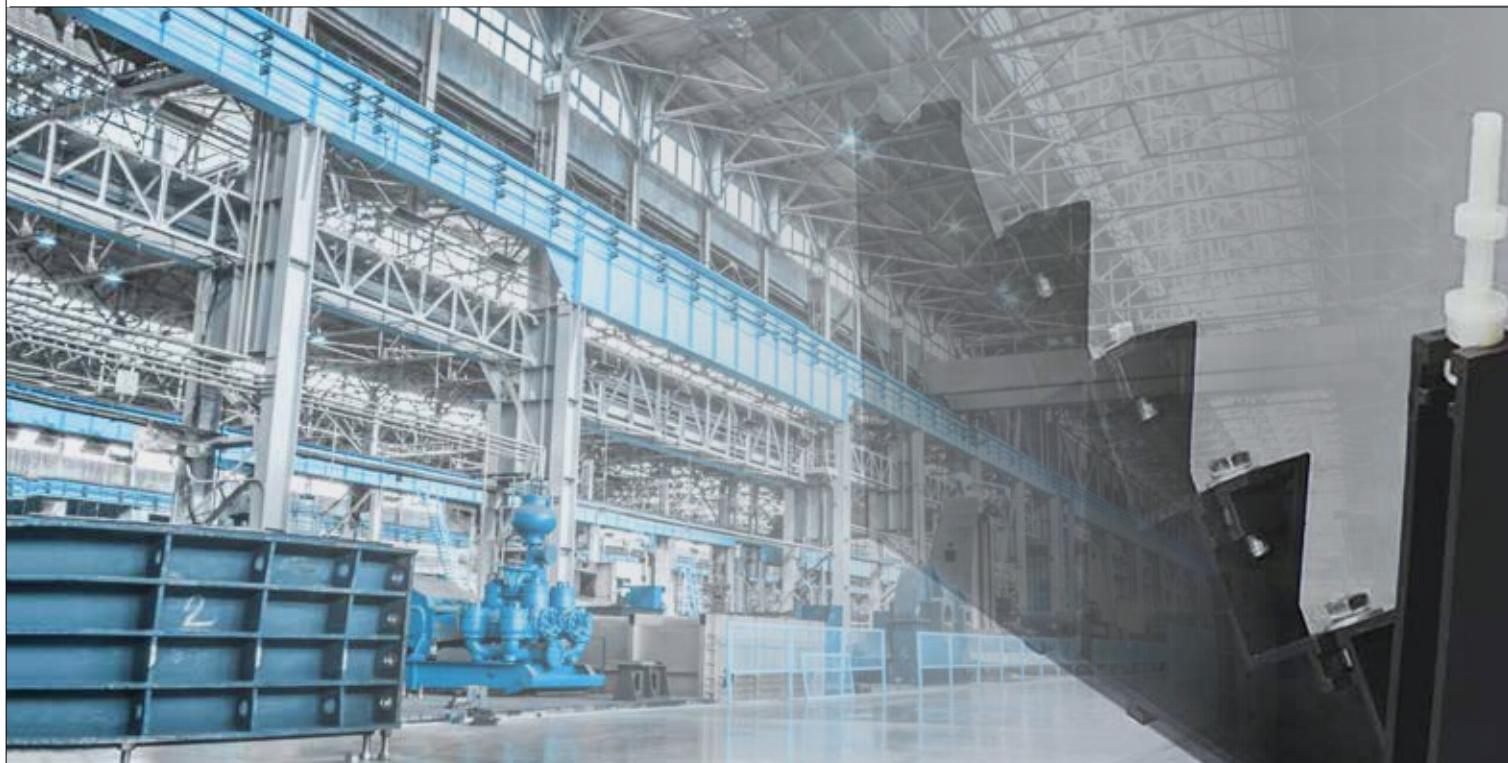
The special layout of these machines means they do not require regular/scheduled maintenance (replacement of filters or cleaning of the heat exchanger) to guarantee full operation.

Graphs



P: Cooling capacity [W]
Ti: Internal cabinet temperature [°C]
Tw: Water inlet temperature [°C]

INSTALLATION COMPONENTS



Installation components

Wide range of accessories to complete the installation of metal and polyester cabinets.

Distribution blocks, busbar supports and connectors, as well as plan holders or transport wheels.

VARIOUS ACCESSORIES

Supports and levelling



| Reference No. | Description | Maximum load | Dim. (mm) |
|---------------|-----------------------------------------------------------------------|--------------|-----------------------|
| | | | HEIGHT X WIDTH |
| 48290 | 150 kg transport casters. (2 casters with brake + 2 without brake) | 150 kg | 92x44 |

CHARACTERISTICS: Maximum load 150 kg per caster. Height: Caster = 70 mm; Threaded bolt = M12x22.

SUPPLY: 4-wheel pack: 2 casters with brake + 2 casters without brake.

MATERIAL: Body: Polished aluminium alloy; Caster: Black polyamide; Threaded bolt: Yellow zinc chromate steel.



| Reference No. | Description | Maximum load | Dim. (mm) |
|---------------|------------------------------|--------------|-----------------------|
| | | | HEIGHT X WIDTH |
| 48300 | Levelling feet (4-foot pack) | 270 kg | 51x50 |

CHARACTERISTICS: Maximum load 270 kg per foot. Height: Foot = 25 mm; Threaded bolt = 12x26 mm.

SUPPLY: 4-leg pack.

MATERIAL: Body in black ABS; Threaded bolt: Clear zinc chromate steel.



| Reference No. | Description | Dim. (mm) |
|---------------|-------------------------------------|---------------|
| | | HEIGHT |
| 48115 | M12 Lifting eyebolts (2-piece pack) | 55 |

CHARACTERISTICS: Accessory for lifting cabinets. Pack supplied with all the screws required for installation.

SUPPLY: 2-piece pack.

MATERIAL: Galvanised steel.

Plan holder



| Reference No. | Description | For family | Dim. (mm) |
|---------------|--------------------------------------------------------|--------------------------|-------------------------------|
| | | | HEIGHT X WIDTH X DEPTH |
| 49386 | 600 mm metal plan holder | Argenta Plus | 280x430x90 |
| 49387 | 800 mm metal plan holder | Argenta Plus | 280x630x90 |
| 49385 | DIN A4 insulating plan holder for general applications | Argenta and Argenta Plus | 217x226x26 |

MATERIAL: RAL 7035 rolled steel; except Ref. 49385, manufactured in polystyrene.

CHARACTERISTICS: Installation screws not included. Ref. 49385 can be fitted either by adhesive or screws (not included). Ref. 49387 only to install in single-door cabinets.

Paints



| Reference No. | Description |
|---------------|-----------------------------------------|
| 48292 | RAL 7035 embossed grey paint |
| 48294 | RAL 7016 embossed grey anthracite paint |
| 48307 | Antioxidant primer |
| 48343 | RAL 9003 embossed white paint |

SUPPLY: 400 ml tin.

Module lids



| Reference No. | Description |
|---------------|---------------------------------------|
| 77590 | Module lid RAL 7035 grey (6 modules) |
| 77600 | Module lid RAL 9003 white (6 modules) |
| 48019 | Module lid RAL 7035 grey (1 m) |
| 48021 | Module lid RAL 9003 white (1 m) |

CHARACTERISTICS: Ref. 48019 and 48021 recommended for metal modular lids.

MATERIAL: 6-module lid in PS; 1-metre lid in PVC.

INSTALLATION COMPONENTS

Metal cabinets and enclosures accessories

Trunking support kit



| Reference No. | Description | For family |
|---------------|---------------------------------------------|--------------|
| 49366 | Vertical trunking support + 600 mm DIN rail | Argenta Plus |
| 49367 | Vertical trunking support + 800 mm DIN rail | Argenta Plus |

CHARACTERISTICS: Supports for mounting vertical distribution trunking. Housing for vertical trunking up to 60x60 mm. Vertical and horizontal trunking supports can be combined. Comprises supports plus plain DIN rail.

MATERIAL: Galvanised steel.

| Reference No. | Description | For family |
|---------------|----------------------------------------|--------------------------|
| 49368 | Horizontal trunking support (2 pieces) | Argenta Plus Atlantic |

CHARACTERISTICS: Supports for fixing cable-distribution trunking horizontally. Two horizontal trunking fixing positions for separation between 150 or 200 mm DIN rails. Vertical and horizontal trunking supports can be linked together.

SUPPLY: Pack of 2 supports plus fixing screws.

MATERIAL: ABS RAL 7035.

| Reference No. | Description | For family |
|---------------|------------------------------------------|---------------|
| 48243 | Vertical trunking support (6-piece pack) | Atlantic Plus |

CHARACTERISTICS: Supports for fixing cable-distribution trunking vertically. Housing for vertical trunking up to 60x60 mm. Vertical and horizontal trunking supports can be linked together.

SUPPLY: Pack of 6 supports plus fixing screws.

MATERIAL: Galvanised steel.

Electric shock risk label



| Reference No. | Description | Dimensions mm |
|---------------|------------------------------------|------------------|
| 49390 | Adhesive electric shock risk label | 105x105 |

Door accessories



| Reference No. | Description |
|---------------|-----------------------------------------------|
| 48380 | Door retainer for Argenta series >250 - L=130 |
| 48383 | Door retainer for Argenta INOX series - L=130 |
| 48466 | Door retainer for Argenta Plus series - L=230 |

CHARACTERISTICS: Ref. 48380 and 48383 for Argenta cabinets wider than 250 mm. Ref. 48466 for Argenta Plus cabinets.

It stops the door when it reaches the end of its path. It is not compatible with an inner door or chassis assembly.

| Reference No. | Description |
|---------------|----------------------|
| 48462 | End of stroke switch |

CHARACTERISTICS: NC contact. Extendible from 122.5 to 165.5. It is not compatible with a chassis or inner door assembly.

Earthing



| Reference No. | Description | Dimensions |
|---------------|------------------------------|------------|
| 48452 | M5 earth kit (20 connectors) | 12x4x500 |

CHARACTERISTICS: Length: 500 mm - Thickness: 4 mm - Thread: M5; Distance between holes: 18 mm.

Includes: Busbar support 12x4 (2 pieces), busbar connectors 12x4 (20 pieces); Connector without drill hole 35 mm².

| Reference No. | Description | Dimensions | | | Section | I |
|---------------|-------------------|----------------|-----------|-----|---------|-----|
| | | LENGTH X WIDTH | THICKNESS | Ø | | |
| 48437 | Flat earth 150 mm | 150x13 | 1.1 | 6.5 | 6 | 40 |
| 48440 | Flat earth 200 mm | 200x15 | 1.5 | 8.5 | 16 | 120 |

CHARACTERISTICS: Recommended by the EMC directives. 99.9% pure copper braids.

Use the recommended bolt diameter:

Hole Ø 6.5 mm = M6 Bolt.

Hole Ø 8.5 mm = M8 Bolt.

Distribution blocks



| Ref. | Nominal rating | Poles | Terminals for busbar | | Dimensions | Drill holes between centres | Ui | Ipk KÂ |
|-------|----------------|-------|----------------------|-------------------|------------|-----------------------------|---------------|--------|
| | | | INPUT | OUTPUT | | | | |
| A | | INPUT | | H X W X D | | mm | V | |
| 48720 | 100 | 2 | 1xØ9 | 5xØ5,3 1xØ7,5 | 50x50x94 | 75 | 500V AC | 20 |
| 48721 | 125 | 2 | 1xØ9 | 11xØ5,3 3xØ7,5 | 50x50x166 | 150 | 500V AC | 20 |
| 48722 | 125 | 4 | 1xØ9 | 7xØ5,3 3xØ7,5 | 50x90x147 | 130 | 500V AC | 20 |
| 48723 | 125 | 4 | 1xØ9 | 11xØ5,3 3xØ7,5 | 50x90x182 | 165 | 500V AC | 20 |
| 48724 | 125 | 4 | 1xØ9 | 5xØ5,3 1xØ7,5 | 50x90x109 | 90 | 500V AC | 20 |
| 48725 | 160 | 4 | 1xØ11,5 | 8xØ7 3xØ8,5 | 70x90x170 | 150 | 600V AC | 22 |
| 48726 | 100 | 4 | 2xØ8,5 | 4xØ4,5 5xØ5,5 | 50x90x101 | 80 | 500V AC/DC | 20 |
| 48727 | 100 | 4 | 1xØ8,5 | 3xØ4,5 3xØ5,5 | 50x90x65 | 45 | 500V AC/DC | 20 |
| 48728 | 125 | 1 | 1xØ8,5 1xØ10 | 6xØ6,5 | 76x46x30 | - | 600V AC/DC | 30 |
| 48729 | 160 | 1 | 1xØ8,5 1xØ12 | 6xØ6,5 | 76x46x30 | - | 600V AC/DC | 30 |

CHARACTERISTICS: Maximum ambient temperature 40 °C.

Protection: Screen with transparent cover.

Self-extinguishing V0.

Assembly on DIN profile or screw plate.

Input and output table for distribution blocks

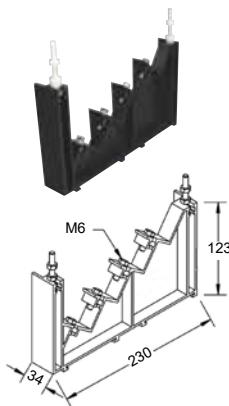
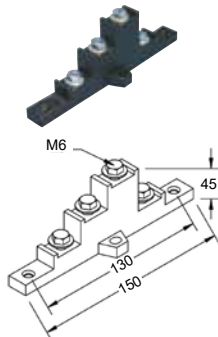
| | Ø | Section without terminal* | Section with terminal |
|--------|------|---------------------------|-----------------------|
| | | mm ² | mm ² |
| Input | 8,5 | 10-25 | 10-25 |
| Input | 9 | 10-35 | 10-16 |
| Input | 11,5 | 10-50 | 10-50 |
| Output | 4,5 | 1,5-4 | 0,75-4 |
| Output | 5,3 | 2,5-6 | 1,5-6 |
| Output | 5,5 | 2,5-6 | 1,5-6 |
| Output | 7 | 2,5-16 | 1,5-16 |
| Output | 7,5 | 10-25 | 6-16 |
| Output | 8,5 | 10-25 | 10-25 |

* Rigid cable.

INSTALLATION COMPONENTS

Metal cabinets and enclosures accessories

Busbar supports



| Reference No. | Description | Maximum rated voltage Ui AC/DC | Operating temperature |
|---------------|------------------------------------|--------------------------------|-----------------------|
| | | V | °C |
| 48453 | 160 A-250 A busbar support profile | 630/630 | 40/+130 |

CHARACTERISTICS: For threaded busbars. It is assembled with M6 screws (included).
Protection screen: direct mounting using spacers and caps.
Halogen-free plastic parts.

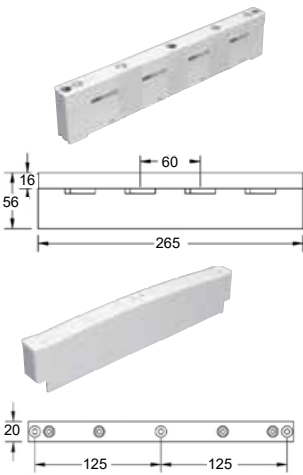
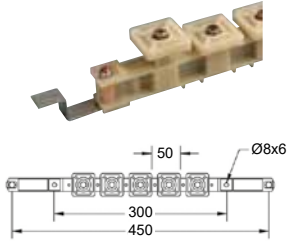
| Voltage | Current | Busbar section (mm) | Maximum distance between busbar supports l _{cw} kA eff. 1 s./l _{pk} kA | | |
|-------------|---------|---------------------|---------------------------------------------------------------------------------------------|------|-------|
| | | | 6,5/11 | 8/14 | 12/24 |
| 0 to 1000 V | 160A | 15 x 5 | 550 | 447 | 253 |
| | 250A | 20 x 5 | 635 | 516 | 261 |

| Reference No. | Description | Maximum rated voltage Ui AC/DC | Operating temperature |
|---------------|-------------------------------------------------|--------------------------------|-----------------------|
| | | V | °C |
| 48800 | 160 A-630 A busbar support for auxiliary module | 1000/1500 | -40/+130 |

CHARACTERISTICS: For threaded busbars. Mounted on DIN rail or bottom plate. Two units are needed for busbar assembly.
Protection screen: direct mounting using spacers and caps.
Halogen-free plastic parts.

| Voltage | Current | Busbar section (mm) | Maximum distance between busbar supports l _{cw} kA eff. 1 s./l _{pk} kA | | | |
|-------------|---------|---------------------|---------------------------------------------------------------------------------------------|------|-------|-------|
| | | | 6,5/11 | 8/14 | 12/24 | 23/48 |
| 0 to 1000 V | 160A | 15 x 5 | 696 | 565 | 320 | 102 |
| | 250A | 20 x 5 | 804 | 653 | 370 | 102 |
| | 400A | 32 x 5 | 1000 | 826 | 418 | 102 |
| | 400A | 20 x 10 | 1000 | 1000 | 418 | 102 |
| | 630A | 30 x 10 | 1000 | 1000 | 418 | 102 |

Busbar supports



| Reference No. | Description | Maximum rated voltage Ui AC/DC | Operating temperature |
|---------------|-----------------------------------|--------------------------------|-----------------------|
| | | V | °C |
| 48454 | 160 A-400 A bottom busbar support | 1000/1500 | -40/+130 |

CHARACTERISTICS: Distance between axes or phases: 50 mm.
Plastic pin to install the busbar.
A spacer can be used and an earth bar fitted to the right or left.
Halogen-free plastic parts.

| Voltage | Current | Busbar section (mm) | Maximum distance between busbar supports I _{pk} kA / I _{cc} rms kA 1s | | | |
|-------------|---------|---------------------|--------------------------------------------------------------------------------------------|------|-------|-------|
| | | | 11/6,5 | 14/8 | 48/23 | 63/30 |
| 0 to 1000 V | 160A | 15 x 5 | 450 | 450 | - | 105 |
| | 250A | 20 x 5 | 450 | 450 | - | 105 |
| | 400A | 32 x 5 | 450 | 450 | - | 105 |

| Reference No. | Description | Maximum rated voltage Ui AC/DC | Operating temperature |
|---------------|---------------------------------------------|--------------------------------|-----------------------|
| | | V | °C |
| 48686 | Horizontal busbar support TN 160 A-630 A | 1000/1500 | -15/+130 |
| 48687 | TN Horizontal busbar support cover | - | - |

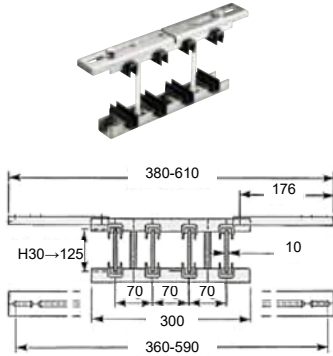
CHARACTERISTICS: Two units of each reference are needed for busbar assembly.
Distance between axes or phases: 60 mm. Triple phase + neutral.
Halogen-free plastic materials and galvanised steel threaded screws.

| Busbar section | Maximum distance between busbar supports I _{pk} kA I _{cc} ms kA 1s | | | | | |
|----------------------------|-----------------------------------------------------------------------------------------|--------|-----------|-------|-------|-------|
| | 11/6,5 | 14/8,2 | 24/12 | 48/22 | 63/30 | 70/33 |
| I _{cc} eff. in kA | | | | | | |
| | | | ▶ ← 10 mm | | | |
| 15x5 | 747 | 716 | 611 | 358 | 200 | - |
| 20x5 | 882 | 841 | 706 | 382 | 179 | - |
| 25x5 | 873 | 831 | 690 | 352 | 141 | - |
| 30x5 | 1000 | 1000 | 890 | 530 | 305 | - |
| 15x10 | 839 | 799 | 668 | 352 | 155 | - |
| 20x10 | 893 | 853 | 720 | 400 | 200 | 107 |
| 30x10 | 1000 | 1000 | 890 | 530 | 305 | 200 |

INSTALLATION COMPONENTS

Metal cabinets and enclosures accessories

Busbar supports



Reference No. Description

Maximum rated voltage Ui AC/DC Operating temperature

| | | | |
|--------------|-------------------------------|----------------|----------------|
| 48685 | Busbar support 1/10 TN 2250 A | V 1000/1500 | °C -40/+130 |
|--------------|-------------------------------|----------------|----------------|

CHARACTERISTICS: Distance between mounting centre on sides: 25 mm. Distance between mounting centres is adjustable.
Galvanised sheet steel reinforced with 2.5 mm of zinc. Zinc-plated screws, nuts and washers.

Three phases + neutral. 10-mm busbars, one per phase.
Halogen-free insulating parts.

| Busbar section | Maximum distance between busbar supports - Ipk kA Icc rms kA 1s | | | | | | | | | | |
|----------------|-----------------------------------------------------------------------|-------------|-------|-------|-------|--------|--------|--------|--------|--------|--------|
| | Icc. eff. in kA | 12/24 | 23/48 | 30/63 | 39/82 | 52/114 | 66/145 | 69/152 | 75/165 | 85/187 | 95/209 |
| | | ▶ ◀ ← 10 mm | | | | | | | | | |
| 30 | 1000 | 569 | 456 | 351 | 251 | 197 | 189 | 161 | 125 | 100 | |
| 40 | 1000 | 688 | 527 | 405 | 290 | 208 | 190 | 161 | 125 | 100 | |
| 50 | 1000 | 769 | 590 | 453 | 324 | 208 | 190 | 161 | 125 | 100 | |
| 60 | 1000 | 843 | 646 | 497 | 336 | 208 | 190 | 161 | 125 | 100 | |
| 80 | 1000 | 973 | 746 | 574 | 336 | 208 | 190 | 161 | 125 | 100 | |
| 100 | 1000 | 1000 | 834 | 641 | 336 | 208 | 190 | 161 | 125 | 100 | |
| 120 | 1000 | 1000 | 914 | 656 | 336 | 208 | 190 | 161 | 125 | 100 | |

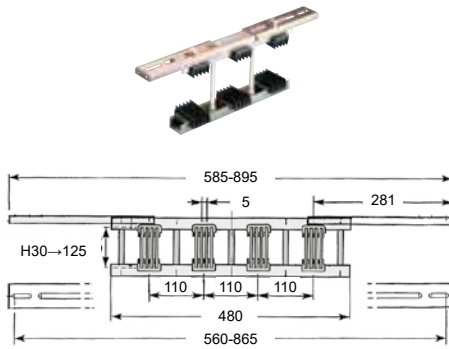
Reference No. Description

Maximum rated voltage Ui AC/DC Operating temperature

| | | | |
|--------------|------------------------------|----------------|----------------|
| 48680 | Busbar support 4/5 TN 3500 A | V 1000/1500 | °C -40/+130 |
|--------------|------------------------------|----------------|----------------|

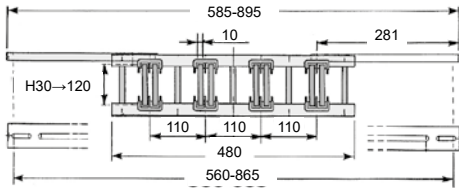
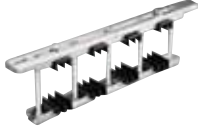
CHARACTERISTICS: Distance between mounting centre: 25 mm. Distance between mounting centres is adjustable.
Galvanised sheet steel reinforced with 2.5 mm of zinc. Zinc-plated screws, nuts and washers.

Three phases (4/5 T) - Three phases + neutral (4/5 TN). Four 5-mm busbars, one per phase.
Halogen-free insulating parts.



| Busbar section | Maximum distance between busbar supports - Icw kA eff. 1 s./Ipk kA | | | | | | | | | | | |
|----------------|-----------------------------------------------------------------------|--------------------|-------|-------|-------|--------|--------|--------|--------|--------|--------|---------|
| | Icc. eff. in kA | 12/24 | 23/48 | 30/63 | 39/82 | 52/114 | 66/145 | 69/152 | 75/165 | 85/187 | 95/209 | 105/231 |
| | | ▶ ◀ ← 5 mm | | | | | | | | | | |
| 30 | 752 | 373 | 286 | 220 | 157 | 123 | 118 | 108 | * | * | * | |
| 40 | 868 | 431 | 330 | 254 | 181 | 143 | 136 | 125 | 111 | * | * | |
| 50 | 971 | 482 | 369 | 284 | 203 | 160 | 153 | 140 | 124 | 111 | * | |
| 63 | 1000 | 541 | 414 | 319 | 228 | 179 | 171 | 158 | 139 | 118 | * | |
| 80 | 1000 | 610 | 467 | 359 | 257 | 202 | 193 | 178 | 148 | 118 | * | |
| 100 | 1000 | 682 | 522 | 402 | 287 | 226 | 216 | 190 | 148 | 118 | * | |
| 125 | 1000 | 762 | 584 | 409 | 321 | 245 | 224 | 190 | 148 | 118 | * | |
| | | ▶ ◀ ◀ ◀ ← 5 mm | | | | | | | | | | |
| 30 | 1000 | 528 | 404 | 311 | 222 | 175 | 167 | 154 | 136 | 121 | 110 | |
| 40 | 1000 | 610 | 467 | 359 | 257 | 202 | 193 | 178 | 157 | 140 | 127 | |
| 50 | 1000 | 682 | 522 | 402 | 287 | 226 | 216 | 199 | 175 | 157 | 140 | |
| 63 | 1000 | 765 | 587 | 541 | 323 | 254 | 243 | 223 | 197 | 171 | 140 | |
| 80 | 1000 | 863 | 661 | 508 | 344 | 286 | 274 | 252 | 214 | 171 | 140 | |
| 100 | 1000 | 965 | 739 | 568 | 407 | 320 | 306 | 275 | 214 | 171 | 140 | |
| 125 | 1000 | 1000 | 827 | 636 | 455 | 355 | 325 | 275 | 214 | 171 | 140 | |
| | | ▶ ◀ ◀ ◀ ◀ ← 5 mm | | | | | | | | | | |
| 30 | 1000 | 647 | 496 | 381 | 272 | 214 | 205 | 189 | 166 | 149 | 134 | |
| 40 | 1000 | 747 | 572 | 440 | 315 | 248 | 237 | 218 | 192 | 172 | 155 | |
| 50 | 1000 | 835 | 640 | 492 | 352 | 277 | 265 | 244 | 215 | 192 | 166 | |
| 63 | 1000 | 938 | 719 | 553 | 395 | 311 | 298 | 274 | 241 | 203 | 166 | |
| 80 | 1000 | 1000 | 810 | 623 | 446 | 351 | 336 | 309 | 253 | 203 | 166 | |
| 100 | 1000 | 1000 | 906 | 696 | 498 | 392 | 375 | 326 | 253 | 203 | 166 | |
| 125 | 1000 | 1000 | 1000 | 779 | 557 | 421 | 385 | 326 | 253 | 203 | 166 | |
| | | ▶ ◀ ◀ ◀ ◀ ◀ ← 5 mm | | | | | | | | | | |
| 30 | 1000 | 747 | 572 | 440 | 315 | 248 | 237 | 218 | 192 | 172 | 155 | |
| 40 | 1000 | 843 | 661 | 508 | 364 | 286 | 274 | 252 | 222 | 199 | 180 | |
| 50 | 1000 | 956 | 739 | 568 | 407 | 320 | 306 | 282 | 248 | 222 | 201 | |
| 63 | 1000 | 1000 | 830 | 638 | 457 | 360 | 344 | 316 | 279 | 249 | 226 | |
| 80 | 1000 | 1000 | 935 | 719 | 515 | 405 | 388 | 357 | 314 | 281 | 254 | |
| 100 | 1000 | 1000 | 1000 | 804 | 576 | 453 | 433 | 399 | 352 | 315 | 285 | |
| 125 | 1000 | 1000 | 1000 | 899 | 644 | 507 | 485 | 446 | 393 | 352 | 288 | |

Busbar supports

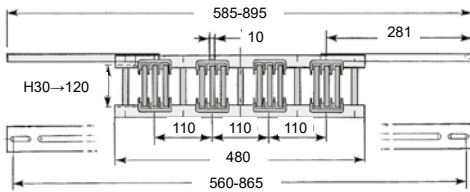


| Reference No. | Description | Maximum rated voltage Ui AC/DC | Operating temperature |
|---------------|-------------------------------|--------------------------------|-----------------------|
| | | V | °C |
| 48681 | Busbar support 2/10 TN 3600 A | 1000/1500 | -40/+130 |

CHARACTERISTICS: Distance between mounting centre: 25 mm. Distance between mounting centres is adjustable.
Galvanised sheet steel reinforced with 2.5 mm of zinc. Zinc-plated screws, nuts and washers.
Three phases + neutral. 10-mm busbars, one per phase.
Halogen-free insulating parts.

| Busbar section icc. eff. in kA | Maximum distance between busbar supports - I _{cw} kA eff. 1 s./I _{pk} kA | | | | | | | | | | |
|-----------------------------------|-----------------------------------------------------------------------------------------------|-------|-------|-------|--------|--------|--------|--------|--------|--------|---------|
| | 12/24 | 23/48 | 30/63 | 39/82 | 52/114 | 66/145 | 69/152 | 75/165 | 85/187 | 95/209 | 105/231 |
| | ▶ ◀ ← 10 mm | | | | | | | | | | |
| 30 | 1000 | 747 | 572 | 440 | 315 | 248 | 237 | 218 | 192 | 172 | 155 |
| 40 | 1000 | 863 | 661 | 508 | 364 | 286 | 274 | 252 | 222 | 197 | 161 |
| 50 | 1000 | 965 | 739 | 568 | 407 | 320 | 306 | 282 | 247 | 197 | 161 |
| 60 | 1000 | 1000 | 810 | 623 | 446 | 351 | 336 | 309 | 247 | 197 | 161 |
| 80 | 1000 | 1000 | 935 | 719 | 515 | 405 | 375 | 317 | 247 | 197 | 161 |
| 100 | 1000 | 1000 | 1000 | 804 | 576 | 410 | 375 | 317 | 247 | 197 | 161 |
| 120 | 1000 | 1000 | 1000 | 881 | 631 | 410 | 375 | 317 | 247 | 197 | 161 |
| | ▶ ◀ ← 10 mm | | | | | | | | | | |
| 30 | 1000 | 1000 | 810 | 623 | 446 | 351 | 336 | 309 | 272 | 243 | 220 |
| 40 | 1000 | 1000 | 935 | 719 | 515 | 405 | 388 | 357 | 314 | 281 | 237 |
| 50 | 1000 | 1000 | 1000 | 804 | 576 | 453 | 433 | 399 | 352 | 290 | 237 |
| 60 | 1000 | 1000 | 1000 | 881 | 631 | 497 | 475 | 437 | 362 | 290 | 237 |
| 80 | 1000 | 1000 | 1000 | 1000 | 728 | 574 | 549 | 466 | 362 | 290 | 237 |
| 100 | 1000 | 1000 | 1000 | 1000 | 814 | 601 | 550 | 466 | 362 | 290 | 237 |
| 120 | 1000 | 1000 | 1000 | 1000 | 892 | 601 | 550 | 466 | 362 | 290 | 237 |

| Reference No. | Description | Maximum rated voltage Ui AC/DC | Operating temperature |
|---------------|-------------------------------|--------------------------------|-----------------------|
| | | V | °C |
| 48688 | Busbar support 3/10 TN 4500 A | 1000/1500 | -40/+130 |



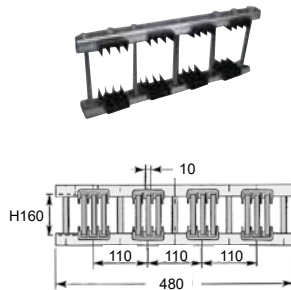
CHARACTERISTICS: Distance between mounting centre: 25 mm. Distance between mounting centres is adjustable.
Galvanised sheet steel reinforced with 2.5 mm of zinc. M10 screws in halogen-free reinforced polyamide.
Three phases + neutral. 10-mm busbars, one per phase.
Halogen-free insulating parts.

| Busbar section icc. eff. in kA | Maximum distance between busbar supports I _{pk} kA I _{cc} ms KA 1s | | | | | | | | | | |
|-----------------------------------|-----------------------------------------------------------------------------------------|-------|-------|-------|--------|--------|--------|--------|--------|--------|---------|
| | 12/24 | 23/48 | 30/63 | 39/82 | 52/114 | 66/145 | 69/152 | 75/165 | 85/187 | 95/209 | 105/231 |
| | ▶ ◀ ← 10 mm | | | | | | | | | | |
| 30 | 1000 | 747 | 572 | 440 | 315 | 248 | 237 | 218 | 192 | 172 | 155 |
| 40 | 1000 | 863 | 661 | 508 | 364 | 286 | 274 | 252 | 222 | 199 | 172 |
| 50 | 1000 | 965 | 739 | 568 | 407 | 320 | 306 | 282 | 248 | 210 | 172 |
| 63 | 1000 | 1000 | 810 | 623 | 446 | 351 | 336 | 309 | 263 | 210 | 172 |
| 80 | 1000 | 1000 | 935 | 719 | 515 | 405 | 388 | 338 | 263 | 210 | 172 |
| 100 | 1000 | 1000 | 1000 | 804 | 576 | 437 | 400 | 338 | 263 | 210 | 172 |
| 120 | 1000 | 1000 | 1000 | 881 | 631 | 437 | 400 | 338 | 263 | 210 | 172 |
| | ▶ ◀ ← 10 mm | | | | | | | | | | |
| 30 | 1000 | 1000 | 810 | 623 | 446 | 351 | 336 | 309 | 272 | 243 | 205 |
| 40 | 1000 | 1000 | 935 | 719 | 515 | 405 | 388 | 357 | 313 | 250 | 205 |
| 50 | 1000 | 1000 | 1000 | 804 | 576 | 453 | 433 | 399 | 313 | 250 | 205 |
| 63 | 1000 | 1000 | 1000 | 881 | 631 | 497 | 475 | 402 | 313 | 250 | 205 |
| 80 | 1000 | 1000 | 1000 | 1000 | 728 | 519 | 475 | 402 | 313 | 250 | 205 |
| 100 | 1000 | 1000 | 1000 | 1000 | 814 | 519 | 475 | 402 | 313 | 250 | 205 |
| 120 | 1000 | 1000 | 1000 | 1000 | 837 | 519 | 475 | 402 | 313 | 250 | 205 |
| | ▶ ◀ ← 10 mm | | | | | | | | | | |
| 30 | 1000 | 1000 | 992 | 763 | 566 | 430 | 411 | 378 | 313 | 250 | 205 |
| 40 | 1000 | 1000 | 1000 | 881 | 631 | 497 | 475 | 402 | 313 | 250 | 205 |
| 50 | 1000 | 1000 | 1000 | 985 | 705 | 519 | 475 | 402 | 313 | 250 | 205 |
| 63 | 1000 | 1000 | 1000 | 1000 | 772 | 519 | 475 | 402 | 313 | 250 | 205 |
| 80 | 1000 | 1000 | 1000 | 1000 | 837 | 519 | 475 | 402 | 313 | 250 | 205 |
| 100 | 1000 | 1000 | 1000 | 1000 | 837 | 519 | 475 | 402 | 313 | 250 | 205 |
| 120 | 1000 | 1000 | 1000 | 1000 | 837 | 519 | 475 | 402 | 313 | 250 | 205 |

INSTALLATION COMPONENTS

Metal cabinets and enclosures accessories

Busbar supports



| Reference No. | Description | Maximum rated voltage Ui AC/DC | Operating temperature |
|---------------|-----------------------------------|--------------------------------|-----------------------|
| | | V | °C |
| 48630 | Busbar support 3/10 TN 160 6200 A | 1000/1500 | -40/+130 |

CHARACTERISTICS: Distance between mounting centre: 25 mm. Distance between mounting centres is adjustable.
Galvanised sheet steel reinforced with 2.5 mm of zinc. 5xM10 stainless steel screws.
Three phases + neutral. 10-mm busbars, one per phase.
Halogen-free insulating parts.

| Busbar section | Maximum distance between busbar supports | | | | | | | | | | |
|-----------------|------------------------------------------|-------|-------|-------|--------|--------|--------|--------|--------|--------|---------|
| | Ipk KA lcc ms KA Is | | | | | | | | | | |
| lcc. eff. in kA | 12/24 | 23/48 | 30/63 | 39/82 | 52/114 | 66/145 | 69/152 | 75/165 | 85/187 | 95/209 | 105/231 |
| | 10 mm | | | | | | | | | | |
| 160 | 1000 | 1000 | 1000 | 641 | 510 | 471 | 444 | 397 | 332 | 266 | 217 |
| | 10 mm | | | | | | | | | | |
| 160 | 1000 | 1000 | 1000 | 1000 | 521 | 495 | 491 | 444 | 376 | 314 | 257 |
| | 10 mm | | | | | | | | | | |
| 160 | 1000 | 1000 | 1000 | 1000 | 520 | 494 | 491 | 441 | 374 | 311 | 255 |

Copper bars



| Ref. No. | Description | Bar dimensions | | | Hole dimensions | | |
|--------------|---------------------|----------------|----|------|-----------------|----------|------|
| | | mm | mm | mm | Ø | Ø Oblong | mm |
| 48791 | Flat copper bar | 12 | 4 | 2000 | - | - | - |
| 48792 | Threaded copper bar | 12 | 4 | 2000 | M5 | - | 18 |
| 48793 | Threaded copper bar | 15 | 5 | 1000 | M6 | 8x12 | 25 |
| 48794 | Threaded copper bar | 20 | 5 | 1000 | M6 | 10x14 | 25 |
| 48795 | Threaded copper bar | 32 | 5 | 2000 | M6 | 12x16 | 17.5 |

CHARACTERISTICS: Cu-ETP (Cu/A1) electrolytic copper compliant with the NF EN 13601 standard.
99.9% copper purity.
Average maximum elongation 12%.
Rounded corners to facilitate installation.
Rated power: For ambient temperature measured inside the control panel of 35 °C.

| Bar cross section (mm) | Length of bar (mm) | Type | Distance between holes (mm) | Rated current (A) | |
|------------------------|--------------------|------|-----------------------------|-------------------|-------|
| | | | | 85 °C | 65 °C |
| 12 x 4 | 2000 | Flat | - | 212 | 160 |
| 12 x 4 | 2000 | M5 | 18 | 212 | 160 |
| 15 x 5 | 1000 | M6 | 25 | 289 | 218 |
| 20 x 5 | 1000 | M6 | 25 | 363 | 274 |
| 32 x 5 | 2000 | M6 | 17,5 | 530 | 400 |

Protection screen



| Ref. No. | Description | Bar dimensions (mm) | | |
|----------|-------------------|---------------------|-------|-----------|
| | | LENGTH | WIDTH | THICKNESS |
| 48421 | Protection screen | 1000 | 500 | 3 |

CHARACTERISTICS: Protection screen for profile busbars.
MATERIAL: Methacrylate.

Connectors



| Reference No. | Description |
|---------------|------------------|
| 48644 | 12x4 bar support |

CHARACTERISTICS: For 12x4 mm bars - M4 clip.
MATERIAL: Shiny galvanised steel.



| Reference No. | Description |
|---------------|------------------------------------|
| 48283 | 5-50 mm ² pin connector |



| Reference No. | Description |
|---------------|--------------------|
| 48645 | 12x4 bar connector |

CHARACTERISTICS: For 12x4 mm threaded bars - M5 screws.
 Cables: Minimum section 1 mm² - maximum section 6 mm².
MATERIAL: Galvanised steel.



| Reference No. | Description |
|---------------|---------------------------------------|
| 48646 | 16-35 mm ² earth connector |

CHARACTERISTICS: For 12x4 / 12x5 flat bars.
 16 mm² flexible cable - 35 mm² rigid cable.
MATERIAL: Galvanised steel.



| Reference No. | Description |
|---------------|--------------------------------------------------------------------|
| 48647 | 16-50 mm ² connector for connection without drill holes |

CHARACTERISTICS: Connections without drill holes for 5 mm-thick bars.
CABLE: 16 to 50 mm² cross section or ERIFLEX® 9-mm-wide flexibar.
 The length from 16 to 50 mm², with the cable stripped, should be at least 40 mm.
MATERIAL: Galvanised steel.



| Reference No. | Description |
|---------------|-----------------------|
| 48651 | 50x75 sloping support |

CHARACTERISTICS: Distance between holes 60 mm - angle 55° - thickness 1.5 mm.
MATERIAL: DC01 iron with white zinc-plated finish.

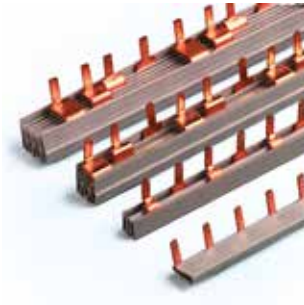


| Reference No. | Description |
|---------------|--------------|
| 48652 | 40x75 angled |

INSTALLATION COMPONENTS

Metal cabinets and enclosures accessories

Connecting combs



| Reference No. | Description |
|---------------|---------------------------------|
| 48250 | PIN-type 63 A single-pole comb |
| 48251 | FORK-type 63 A single-pole comb |
| 48252 | PIN-type 80 A single-pole comb |
| 48253 | FORK-type 80 A single-pole comb |
| 48256 | PIN-type 63 A double-pole comb |
| 48257 | FORK-type 63 A double-pole comb |
| 48258 | PIN-type 80 A double-pole comb |
| 48259 | FORK-type 80 A double-pole comb |
| 48262 | PIN-type 63 A three-pole comb |
| 48263 | FORK-type 63 A three-pole comb |
| 48264 | PIN-type 80 A three-pole comb |
| 48265 | FORK-type 80 A three-pole comb |
| 48268 | PIN-type 63 A four-pole comb |
| 48269 | FORK-type 63 A four-pole comb |
| 48270 | PIN-type 80 A four-pole comb |
| 48271 | FORK-type 80 A four-pole comb |
| 48274 | Final comb 2x63-2x80-3x63-3x80 |
| 48275 | Final comb 4x63-4x80 |

CHARACTERISTICS: Flat copper bars. Bar length: 1m.
 Impulse withstand voltage: ≥ 4.5 kV.
 Maximum rated voltage: 690/1000 V AC/DC.

DIN Profiles



| Reference No. | Description | Rail | No. of bars | Bar length |
|---------------|---------------------------------------------|-----------------|-------------|------------|
| | | | | mm |
| 48783 | DIN profile symmetrical and PLAIN 35x15 | TH 35x15 - 3000 | 5 | 425 |
| 48784 | DIN profile symmetrical and PLAIN 35x15 | TH 35x15 - 3000 | 5 | 625 |
| 48785 | DIN profile symmetrical and PLAIN 35x7.5 | TS 35 | 1 | 2000 |
| 48786 | DIN profile symmetrical and PLAIN 35x15 | TS 35/C | 1 | 2000 |
| 48787 | DIN profile symmetrical and GROOVED 35x7.55 | TS 35/F6 | 1 | 2000 |
| 48788 | DIN profile symmetrical and GROOVED 35x15 | TS 35/CF6 | 1 | 2000 |

Spiral sleeve



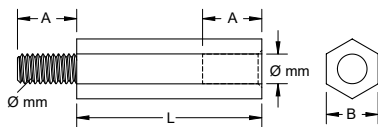
| Reference No. | Description | Ø Interior | Thickness |
|---------------|-----------------------------|------------|-----------|
| | | mm | mm |
| 48286 | 5,5 mm spiral sleeve (50 m) | 5,5 | 1 |
| 48287 | 10 mm spiral sleeve (25 m) | 10 | 1,5 |
| 48288 | 14 mm spiral sleeve (25 m) | 14 | 2 |
| 48289 | 18 mm spiral sleeve (25 m) | 18 | 2 |

CHARACTERISTICS: Flame-retardant spiral sleeve that provides mechanical protection for the electric cables.

Black SPIRFLEX spiral. Halogen-free material.
 Temperature range: -50 °C / $+85$ °C.

TOLERANCES: Internal diameter ± 1 mm / Thickness: ± 0.2 mm.

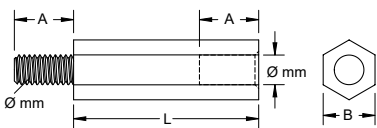
Spacers



| Reference No. | Description | Dimensions (mm) | | | |
|---------------|------------------------|-----------------|-----|----|----|
| | | L | A | B | Ø |
| 48671 | 15 mm insulated spacer | 15 | 7-8 | 13 | M6 |
| 48672 | 20 mm insulated spacer | 20 | 7-8 | 13 | M6 |
| 48673 | 30 mm insulated spacer | 30 | 7-8 | 13 | M6 |
| 48674 | 45 mm insulated spacer | 45 | 7-8 | 13 | M6 |

CHARACTERISTICS: Intended to secure protection screens, profiles or earth bars.
Male/female hexagonal insulating spacers.
Operating temperature up to 80 °C - Voltage 1000 V.

MATERIAL: Insulating parts in polystyrene and threaded end in galvanised steel.



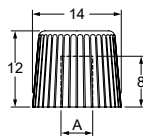
| Reference No. | Description | Dimensions (mm) | | | |
|---------------|---------------------|-----------------|----|---|----|
| | | L | A | B | Ø |
| 48675 | 60 mm metal spacer | 60 | 12 | 8 | M6 |
| 48676 | 70 mm metal spacer | 70 | 12 | 8 | M6 |
| 48677 | 80 mm metal spacer | 80 | 12 | 8 | M6 |
| 48678 | 90 mm metal spacer | 90 | 12 | 8 | M6 |
| 48679 | 100 mm metal spacer | 100 | 12 | 8 | M6 |

CHARACTERISTICS: Intended to secure protection screens, profiles or earth bars.
Male/female hexagonal metal spacers.

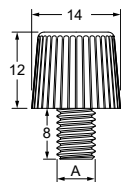
MATERIAL: Made of galvanised steel.



Ref. 48531



Ref. 48669



Ref. 48670

| Reference No. | Description |
|---------------|------------------------|
| 48531 | Countersunk washer D=6 |

| Reference No. | Description |
|---------------|-------------------|
| 48669 | M6 insulating nut |
| 48670 | M6 insulating cap |

CHARACTERISTICS: For installation in protection screens. DHM M4-M5-M6 / DH M5-M6.
Working temperature up to 80 °C.

MATERIAL: Insulating parts in polystyrene.

INSTALLATION COMPONENTS

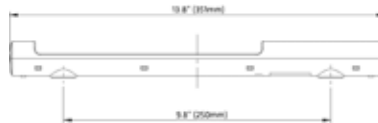
Metal cabinets and enclosures accessories

Lamps



| Reference No. | Fixing | AC | DC | Luminosity | Power | Dim. |
|----------------|-------------|---------------|---------|------------|-------------|--------|
| | | Voltage | Voltage | | consumption | |
| | | V/Hz | V | Lm | W | HEIGHT |
| LED400M | magnetic | 100-240 50-60 | 90-110 | 400 a 120° | 5 | 351 |
| LED400T | with screws | 100-240 50-60 | 90-110 | 400 a 120° | 5 | 351 |

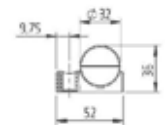
CHARACTERISTICS: LED lights attached via magnets or screws (M5). LED, 120° radiation angle. Daylight, colour temperature 6000-7000 k, lifespan 60,000 hours at +20 °C. Two-pole connection.



Magnetic fixing



Screws fixing



Ventilation louvres



| Reference No. | Dimensions | Position | Installation | Degree of protection |
|---------------|------------|----------------|--------------|----------------------|
| | | between screws | cut out | |
| mm | | | | |
| 49330 | 180x130 | 170x115 | 145x95 | IP30 |
| 49331 | 105x154 | 90x139 | 75x70 | IP30 |
| 49332 | 130x250 | 115x235 | 90x180 | IP30 |
| 49335 | 167x105 | 152x90 | 130x70 | IP30 |
| 49336 | 167x105 | 152x90 | 130x70 | IP33 |

CHARACTERISTICS: RAL 7035 made of cold-rolled steel.

Ref. 49336 includes rubber gasket.

SUPPLY: 2-piece pack.

Devices



Ref. No. Description

29531 IP43 Ventilation device Ø 19 mm

29532 IP43 Ventilation device Ø 29 mm

MATERIAL: Thermoplastic.

INSTALLATION: By means of screws with rubber gasket.

CHARACTERISTICS: They facilitate air circulation through convection inside the modules, preventing the formation of condensation. Designed to prevent the entry of foreign bodies.



| Ref. No. | Description | Dimensions | Air permeability | Tightening torque | Operating/storage temp. |
|--------------|----------------------|------------|------------------|-------------------|-------------------------|
| | | mm | l/h* | Nm | °C |
| 48338 | Pressure compensator | Ø 60x37 | 1200 l/h* | 5 (10 max.) | -35/+70 |

MATERIAL: NBR sealing joint and impermeable membrane filter.

INSTALLATION: Drill a Ø 40.5 mm hole on the cabinet wall and assemble the device with the nut. In large enclosures, two or more devices must be installed on opposite sides and at the top. IP66 degree of protection.

* At a minimum pressure of 70 mbar.




















| Ref. No. | Description | Dimensions | Water evacuation | Tightening torque | Operating/storage temp. |
|--------------|-----------------|------------|------------------|-------------------|-------------------------|
| | | mm | ml/h* | Nm | °C |
| 48339 | Water evacuator | Ø 60x49.5 | 200 ml/h* | 6 max. | -45/+70 |

MATERIAL: NBR sealing joint.

INSTALLATION: Drill a Ø 50.5 mm hole on the cabinet wall and assemble the device with the nut. Vertical assembly on the bottom of the cabinet. IP66/IP67 degree of protection.

* In a 5 mm water column.

Screws, nuts and bolts

| | Reference No. | Description |
|-------------------------------------------------------------------------------------|---------------|-------------------------------------------------------|
|  | 48429 | M6 caged nuts - Front assembly |
|  | 48416 | M6 caged nuts - Normal |
| | 48435 | M8 caged nuts - 3 mm wing |
|  | 48424 | M6x19 Torx-trilobular countersunk screw |
|  | 48425 | M6x12 Torx-trilobular panhead screw |
|  | 48468 | M8x16 Allen screw |
|  | 48470 | M12x20 Allen screw |
|  | 48476 | M6x10 non-rotating screw. Hexagonal PH+R hardness 4.8 |
|  | 48434 | DIN 965 M6x20 screw |
|  | 48417 | M8 non-rotating nuts |
| | 48433 | DIN 934 M6 nuts |
|  | 48418 | 3.5x13 clipping plug |
| | 48428 | 5x11 detachable rivets |
|  | 48431 | M4x7 Self-tapping sheet metal screws |
|  | 48432 | DIN 7981 F 3.5x6.5 machined screws |
|  | 48512 | Machined screw for cable entry cover 3.5x9.5 DIN 7982 |
|  | 48436 | Plastic caps (flush-fit/surface doors) |
|  | 48438 | Plastic cap (cabinets without door) |
|  | 48511 | M5 reversible cap (Argenta door) |
|  | 48439 | Turning bushes (flush-fit doors) |
| | 48539 | M6x23 Torx countersunk screw |

All these accessories are supplied in 100-pieces bags.





Electrical enclosures for the
industrial sector

PLASTIC BOXES

PRYMA
STAR
ECOLOGY
LIGHT

PRYMA



IP67 Boxes for industrial sockets

The PRYMA series comprises a set of enclosures for surface installation, manufactured with halogen-free high-durability plastic materials intended to house power sockets or control and signalling elements.

They are intended for installation in places requiring power points for fixed machinery, portable tools or auxiliary electrical equipment.

Their sphere of application therefore includes industrial premises, workshops, warehouses, depot areas, building sites, etc., or any place requiring a high degree of protection and safety.



PRYMA Technical Specifications

- Degree of protection: IP67.
- Resistance to impact: IK08.
- Glow wire resistance: 650 °C.
- Ambient temperature range: -25 °C / +40 °C.
- Maximum operating voltage: 1000 V AC/1500 V DC.
- Double insulation: Class II.

PRYMA Certifications



Compliant with the Low Voltage Directive 2014/35/EU.
Standards: UNE-EN 62208 and UNE-EN 61439-1
(as applicable).

Watertight enclosures for installation of industrial power sockets

PRYMA

IP67 boxes for industrial sockets



Product series

- Surface enclosures with a capacity of 9, 13 and 26 modules with transparent window.

Material

- Halogen-free plastic materials, with UV protection.
- Base and frame: ABS RAL 7035.
- Transparent window: PC tinted window.

Supply

- Supplied in individual cardboard packaging. When several items are sent together, they are bundled together with transparent film.
- The enclosure is supplied with the windows assembled on the cover and the hinges attached to the base, leaving the cover totally free for handling by the installer.
- The rails are supplied assembled to the base for the 9-module models. For the 13- and 26-module models they are supplied disassembled in a bag containing the rail, supports and screws.
- Accessory bag:
 - 11x13 plastic screws.
 - Grey module cover (6 modules).
 - Module identification strips.
 - Hermetic caps (Ref. No. 1712GM and 1724GM).
 - Assembly instructions.

Intended for the industrial sector, where a high degree of safety and maximum protection are required

DIN rail attachment

- The rail can be attached to the enclosure in two different positions: to the base or to the cover.

Attachment of rail to cover:

- 178M, 178P, 1712GM and 1724GM boxes: two supports are screwed to the cover, and the DIN rail is then screwed onto the supports.

Attachment of rail to base:

- 178M and 178P boxes: by pressing the rail gently into two grooved housings. These boxes are supplied with the rail assembled on the base.

- 1712GM and 1724GM boxes: two supports are screwed to the base and the DIN rail is then screwed onto the supports. The DIN rail can be placed at two different heights, offering the possibility of fitting elements from 53 mm to 70 mm for the first position and 92 mm for the second one. The boxes are supplied with the bag of accessories required for installation.



Base

- It has four completely flat walls, permitting the installation of small elements such as pilot lights, pushbuttons, etc.
- The side walls have vertical ribs on the inside that provide rigidity to protect against possible deformation.
- The top and bottom sides are also flat, with three pre-marked points that can be used as a reference for inserting the trunking pipe.
- The bottom of the base is fitted with supports for attaching neutral and earth bars, as well as the housings for attaching the DIN rail.
- The base has raised lines with different housings for fixing mounting plates, rails, bars, etc.

Wall-mounting

- 178P and 178M boxes are secured to the wall by means of screws placed in the locking screw housings on the enclosure.
- 1712GM and 1724GM boxes are mounted directly from the housings located on the base for this purpose. These housings are covered with watertight caps (supplied in the accessories bag) to maintain the degree of protection and dielectric strength.

Frame

- The frame is used for placing the power sockets. It has a vertical blank area and another one with an inclined plane to facilitate base installation and to prevent cable bundles from crossing.
- The frame perimeter has a sealing gasket to guarantee protection from dust and water.
- The inside of the frame has reinforcement ribs to guarantee the part's rigidity.
- The frame-base assembly is closed by means of 11×23 plastic pan-head and flat-tip screws (supplied in the accessory bag).
- The boxes can be sealed at two points.



Window

- Transparent tinted windows with UV protection.
- The window presses against the sealing gasket to guarantee the assembly's IP protection.
- The window opens vertically and is closed by means of two threaded screws.
- Possibility of support with padlock supplied as an accessory (Ref. 77670).

Frame-base hinge system

- This series has a frame-base hinge system that enhances manoeuvrability between both parts, guaranteeing an opening of 180°.
- The hinges' high resistance means that when the base is secured to the wall, the frame can be left hanging even if it has been totally installed with sockets or with equipment.
- The unit is assembled and disassembled by gently pressing on the ends of the part, which is symmetrical and reversible.

PRYMA

IP67 boxes for industrial sockets

IP67 wall-mounted enclosures for power sockets

| Reference No. | No. of modules | Dimensions | Weight | Power dissipation according to temperature increase °C P(W)* | | | | |
|---------------|--------------------|-------------|--------|--------------------------------------------------------------|------|------|------|------|
| | | | | 20 | 25 | 30 | 35 | 40 |
| 178P | 1x9 DIN rail | 284x222x122 | 1.2 | 13.2 | 16.5 | 19.8 | 23.1 | 26.4 |
| 178M | 1x9 DIN rail | 369x222x130 | 1.4 | 16.9 | 21.1 | 25.4 | 29.6 | 33.8 |
| 1712GM | 1x13 DIN rail | 504x297x177 | 2.7 | 31.1 | 38.8 | 46.6 | 54.4 | 62.1 |
| 1724GM | 2x13 (26) DIN rail | 504x297x177 | 3.0 | 31.1 | 38.8 | 46.6 | 54.4 | 62.1 |

HALOGEN-FREE PLASTIC MATERIALS, WITH UV PROTECTION

Frame and base in ABS RAL 7035 grey.

PC transparent window, tinted.

IP67 - Surface.

* Calculations obtained according to the CEI 890:1997 standard (including Corrigendum 1998). Method of temperature-rise assessment by extrapolation for partially type-tested assemblies (PTTA) of low-voltage switchgear and control gear.



**1x9 modules
178P**



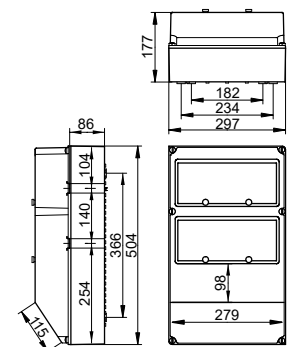
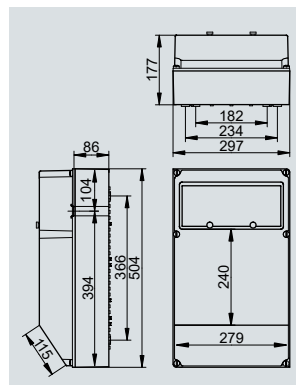
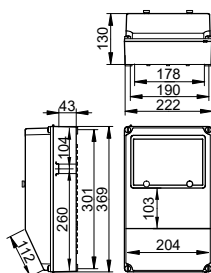
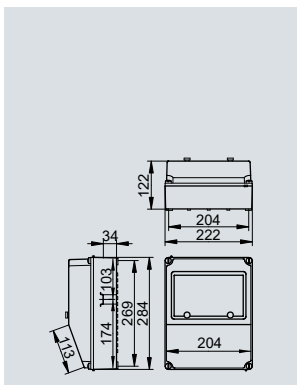
**1x9 modules
178M**



**1x13 modules
1712GM**



**2x13 (26) modules
1724GM**



IP67 wall-mounted enclosures for power sockets. With neutral and earth bars

| Reference No. | No. of modules | Dimensions | Weight | Power dissipation according to temperature increase °C P[W]* | | | | | |
|---------------|--------------------|-------------|--------|--------------------------------------------------------------|------|------|------|------|------|
| | | | | HEIGHTXWIDTHXDEPTH | KG | 20 | 25 | 30 | 35 |
| 178P/RR | 1x9 DIN rail | 284x222x122 | 1.3 | | 13.2 | 16.5 | 19.8 | 23.1 | 26.4 |
| 178M/RR | 1x9 DIN rail | 369x222x130 | 1.5 | | 16.9 | 21.1 | 25.4 | 29.6 | 33.8 |
| 1712GM/RR | 1x13 DIN rail | 504x297x177 | 2.8 | | 31.1 | 38.8 | 46.6 | 54.4 | 62.1 |
| 1724GM/RR | 2x13 (26) DIN rail | 504x297x177 | 3.1 | | 31.1 | 38.8 | 46.6 | 54.4 | 62.1 |

HALOGEN-FREE PLASTIC MATERIALS, WITH UV PROTECTION

Frame and base in ABS RAL 7035 grey.

PC transparent window, tinted.

IP67 - Surface.

/RR: With neutral and earth bars.

* Calculations obtained according to the CEI 890:1997 standard (including Corrigendum 1998). Method of temperature-rise assessment by extrapolation for partially type-tested assemblies (PTTA) of low-voltage switchgear and control gear.

They are intended for places requiring power points for fixed machinery, portable tools or auxiliary electrical equipment

PRYMA COMPLET

IP67 boxes for industrial sockets

Special assemblies



Plain boxes.



Boxes with assembled and wired power sockets.

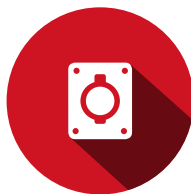


Boxes with assembled and wired power sockets and protections.

How to proceed



1. SELECT THE BOX.



2. CHOOSE THE POWER SOCKETS.



3. INDICATE THE REQUIRED PROTECTION.



4. SUBMIT ALL THE INFORMATION TO OUR TECHNICAL DEPARTMENT.

You can request a quotation and technical assessment at export@ide.es

Special assemblies with power sockets can be supplied in any combination, assembled and wired, with no minimum order quantity

Proposal of sockets for Pryma Complet boxes

IP67 SCHUKO-TYPE FLUSH-FIT SOCKETS



| REF. | Poles | I | Voltage |
|-------|-------|-----|---------|
| 00105 | 2P+E | 16A | 250 V |

IP67 FLUSH-FIT SOCKETS



| REF. | Poles | I | Voltage |
|-------|--------|------|-----------|
| 02801 | 2P+E | 16 A | 200/250 V |
| 03802 | 3P+E | 16 A | 380/415 V |
| 03803 | 3P+N+E | 16 A | 200/415 V |
| 02804 | 2P+E | 32 A | 200/250 V |
| 03805 | 3P+E | 32 A | 380/415 V |
| 03806 | 3P+N+E | 32 A | 200/415 V |

See our full range of plugs and sockets on page 378

PRYMA Accessories



TRANSPARENT WINDOW

SCREW FOR WINDOWS

RAIL SUPPORT

BOX HANDLE

CABLE GLAND

Neutral and earth bars

In some markets, the technical regulations governing installation require neutral and earth conductors to be connected to a common busbar. The base of these boxes has specific supports for this purpose. The neutral and earth bars will be screwed to these supports, which are supplied as an accessory.

They can be supplied pre-assembled by ordering the /RR references.

Neutral and earth bar structure

| Ref. | Terminal | | Cable section | |
|-------|----------|------|----------------------------------------------------------------------------------|----------------------------------------------------------------------------------|
| | N | E | NEUTRAL | EARTH |
| 22008 | 8+2 | 8+2 | 1x(10-25 mm ²)+1x(4-10 mm ²)+8x(2.5-6 mm ²) | 1x(10-25 mm ²)+1x(4-10 mm ²)+8x(2.5-6 mm ²) |
| 22009 | 12+2 | 12+2 | 1x(10-25 mm ²)+1x(4-10 mm ²)+12x(2.5-6 mm ²) | 1x(10-25 mm ²)+1x(4-10 mm ²)+12x(2.5-6 mm ²) |

Accessories and screws

| | Ref. |
|--------------------------------------------|---------|
| Box handle for mobile installations 140x40 | 92110 |
| Box handle for mobile installations 110x35 | 92110/1 |
| Frame fixing kit | 94280 |
| Support for padlock | 77670 |
| Metal support | 48205 |
| Rail support | 77430 |
| Grey module cover (6 modules) | 77590 |
| Hermetic caps (4 pieces) | 77650 |
| 2.9x16 screw for bar support | 92620 |
| Stainless steel screw (4x16) | 94292 |
| Plastic nut for power sockets | 94293 |

Bushings and cable glands

| | Ref. |
|-------------------------|-------|
| M25 bushing | 94273 |
| M40 bushing | 94274 |
| M25 cable gland IP68-69 | 92580 |
| M32 cable gland IP68-69 | 92582 |
| M40 cable gland IP68-69 | 92584 |
| M25 cable gland nut | 92581 |
| M32 cable gland nut | 92583 |
| M40 cable gland nut | 92585 |

Transparent windows

| | Ref. |
|--------------------------------------|-------|
| 9 modules | 86020 |
| 13 modules (92640 must be requested) | 86040 |
| M4x15 screws for windows | 92640 |

Neutral and earth bars

| | Ref. | No. modules | For box reference |
|------------------------------------------|-------|-------------|----------------------|
| Support + neutral and earth bar 2x(2+8) | 22008 | 9-26 | 178M - 178P - 1724GM |
| Support + neutral and earth bar 2x(2+12) | 22009 | 13 | 1712GM |

STAR



IP65 Boxes for industrial sockets

The STAR series comprises a set of enclosures for surface installation manufactured with halogen-free high-durability plastic materials. They are intended for housing power sockets or control and signalling elements. They are intended for installation in places requiring power points for fixed machinery, portable tools or auxiliary electrical equipment. Their sphere of application therefore includes industrial premises, workshops, warehouses, depot areas, building sites, etc.. or any place requiring a high degree of protection and safety.

Their design allows them to be installed jointly with junction boxes of the Ecology series in order to create large-sized power and distribution panels intended for indoor and outdoor settings, provided that the components fulfil the applicable legislation.

IP
65

CE

DVE



STAR

STAR Technical Specifications

- Degree of protection: IP65.
- Resistance to impact: IK08.
- Glow wire resistance: 650 °C.
- Ambient temperature range: -25 °C / +40 °C.
- Maximum operating voltage: 1000 V AC/1500 V DC.
- Double insulation: Class II.

STAR Certifications

CE

DVE

Compliant with the Low Voltage Directive 2014/35/EU.
Standards: UNE-EN 62208 and UNE-EN 61439-1
(as applicable).

Intended for installation wherever a high degree of protection and safety is required



Product series

- Surface enclosures with a capacity of 4, 6, 9, 12, 18, 24 and 36 modules with transparent window.
- Interface box to provide greater capacity.

Material

- Halogen-free plastic materials, with UV protection.
- Enclosure: ABS RAL 7035.
- Transparent window: PC tinted window.

Supply

- Supplied in individual cardboard packaging. When several items are sent together, they are bundled together with transparent film.
- The enclosure is supplied with the windows assembled on the cover and the hinges attached to the base, leaving the cover totally free for handling by the installer. The rails are supplied assembled in all references.
- Accessory bag:
 - Base/cover screws.
 - Grey module cover (6 modules).
 - Module identification strips.
 - Hermetic caps.
 - Cover-base hinges.
 - Assembly instructions.

Enclosures for surface installation, intended for housing power sockets or control and signalling elements

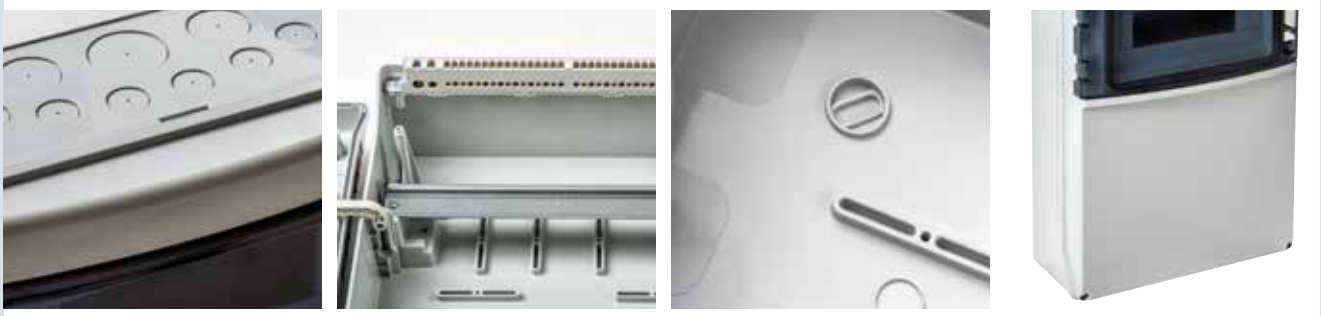
Neutral and earth bars

In some markets, the technical regulations governing installation require neutral and earth conductors to be connected to a common busbar. The base of these boxes has specific supports for this purpose. The neutral and earth bars will be screwed to these supports, which are supplied as an accessory.

They can be supplied pre-assembled by ordering the /RR references.

Neutral and earth bar structure

| Ref. No. | Terminal | | Cable section | |
|----------|----------|------|--------------------------------------------------------------------------------------------------------------|--------------------------------------------------------------------------------------------------------------|
| | N | E | NEUTRAL | EARTH |
| 22019 | 5+1 | - | 1x(16-35 mm ²)+5x(10-25 mm ²) | - |
| 22007 | 4+2 | 4+2 | 4x(2,5-6 mm ²)+2x(4-10 mm ²) | 4x(2,5-6 mm ²)+2x(4-10 mm ²) |
| 22001 | 8+1 | 8+1 | 5x(2,5-6 mm ²)+3x(4-10 mm ²)+1x(16-35 mm ²) | 5x(2,5-6 mm ²)+3x(4-10 mm ²)+1x(16-35 mm ²) |
| 22002 | 12+2 | 12+2 | 6x(2,5-6 mm ²)+6x(4-10 mm ²)+1x(10-25 mm ²)+1x(16-35 mm ²) | 6x(2,5-6 mm ²)+6x(4-10 mm ²)+1x(10-25 mm ²)+1x(16-35 mm ²) |
| 22003 | 16+2 | 16+2 | 8x(2,5-6 mm ²)+8x(4-10 mm ²)+1x(10-25 mm ²)+1x(16-35 mm ²) | 8x(2,5-6 mm ²)+8x(4-10 mm ²)+1x(10-25 mm ²)+1x(16-35 mm ²) |
| 22004 | 24+2 | 24+2 | 12x(2,5-6 mm ²)+12x(4-10 mm ²)+1x(10-25 mm ²)+1x(16-35 mm ²) | 12x(2,5-6 mm ²)+12x(4-10 mm ²)+1x(10-25 mm ²)+1x(16-35 mm ²) |



Base

- Base with double height DIN rail (from 12 modules) providing greater space on the inside for wiring and devices, and a reinforcement rib that delivers greater rigidity.
- The sides have marks to facilitate the positioning of the bushing for joining boxes.
- The top and bottom sides have knock-outs with the standard metric diameters so that they can be quickly removed with a screwdriver for cable and pipe entry. These knockouts have central pre-marks to open other required diameters.
- The bottom of the base is fitted with supports for attaching neutral and earth bars, as well as the housings for attaching the DIN rail. It also has pre-marks to open other diameters.

DIN rail attachment

- The rail is clipped and screwed to the base. The rails are supplied assembled in the base.

Wall-mounting

- Wall-mounting is by means of four screws, directly from the housings located at the bottom of the base provided for this purpose. These housings are covered with hermetic caps (supplied in the accessories bag, ref. 77650) to maintain the degree of protection and dielectric strength.

Frame

- The frame is used for placing the power sockets and has a blank vertical area. Frame size varies depending on sizes, and all types of sockets can be fitted.
- The frame perimeter and the front of the box have protection from dust and water. The front side includes a sealing gasket on the window that guarantees the IP protection from dust and water.
- The geometry of the frame and its constituent elements give the part greater rigidity. The frame-base unit is closed by means of captive screws (supplied in the accessory bag).



Window

- Transparent tinted windows, with UV protection.
- The window has reinforcement ribs to provide rigidity and pressure on the sealing gasket of the frame that guarantees IP protection of the assembly.
- Handle with vertical opening in 4, 6 and 9-modules models, and 180° reversible horizontal window opening in 12, 18, 24 and 36-module models.
- Lock with the IDE logotype with pressure-operated opening and closing, except CSN4PT.
- The lock can be replaced with key locks or triangular locks (inserts supplied as accessories).

Frame-base hinge system

- This series has a frame-base hinge system that enhances manoeuvrability between both parts, guaranteeing both vertical and horizontal opening of 180°, except CSN4PT.
- The hinges' high resistance means that when the base is secured to the wall, the frame can be left hanging even if it has been totally installed with sockets or with equipment.
- The unit is assembled and disassembled by gently pressing on the ends of the part, which is symmetrical and reversible.

IP65 boxes for industrial sockets

| Reference No. | No. of modules | Dimensions | Weight | Power dissipation according to temperature increase °C P(W)* | | | | | Type |
|----------------|--------------------|------------------------|--------|--------------------------------------------------------------|------|------|------|------|--------|
| | | | | 20 | 25 | 30 | 35 | 40 | |
| CSNPLUS | - | HEIGHT X WIDTH X DEPTH | KG | | | | | | |
| CSN4PT | 1x4 DIN rail | 385x102x124 | 0.9 | 14.6 | 18.3 | 21.9 | 25.6 | 29.2 | 65TC00 |
| CSN6PT | 1x6 DIN rail | 436x142x137 | 1.1 | 10.0 | 12.5 | 15.0 | 17.5 | 20.0 | 65TC04 |
| CSN9PT | 1x9 DIN rail | 436x210x137 | 1.4 | 15.5 | 19.4 | 23.3 | 27.1 | 31.0 | 65TC06 |
| CSN12PT | 1x12 DIN rail | 436x310x147 | 2.0 | 19.3 | 24.1 | 29.0 | 33.8 | 38.6 | 65TC09 |
| CSN18PT | 1x18 DIN rail | 436x418x147 | 2.5 | 25.8 | 32.2 | 38.7 | 45.1 | 51.6 | 65TC12 |
| CSN24PT | 2x12 (24) DIN rail | 688x310x147 | 3.5 | 32.0 | 39.9 | 47.9 | 55.9 | 63.9 | 65TC18 |
| CSN36PT | 2x18 (36) DIN rail | 728x418x147 | 4.6 | 37.1 | 46.4 | 55.7 | 65.0 | 74.3 | 65TC24 |
| | | | | 49.5 | 61.8 | 74.2 | 86.6 | 98.9 | 65TC36 |

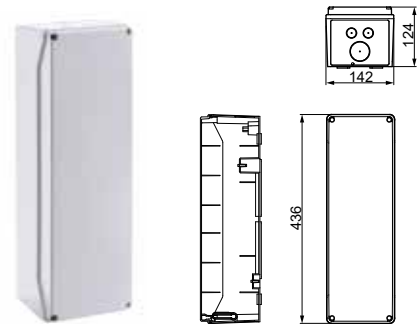
HALOGEN-FREE PLASTIC MATERIALS, WITH UV PROTECTION

Frame and base in ABS RAL 7035 grey.

PC transparent window, tinted.

IP65 - Surface.

* Calculations obtained according to the CEI 890:1997 standard (including Corrigendum 1998). Method of temperature-rise assessment by extrapolation for partially type-tested assemblies (PTTA) of low-voltage switchgear and control gear.



CSNPLUS

TOP: 2xM20 - 1xM40
 BOTTOM: 2xM20 - 1xM40
 REAR OBLONG: 2xOB25x25



1x4 modules CSN4PT

REAR: 2xM20



1x6 modules CSN6PT

TOP: 2xM20 - 1xM40
 BOTTOM: 2xM20 - 1xM40
 REAR OBLONG: 2xOB25x25



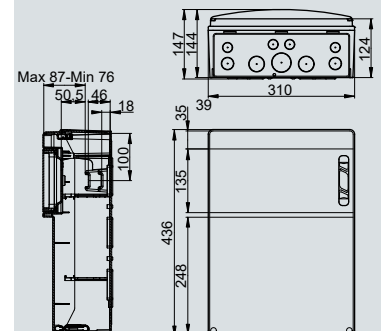
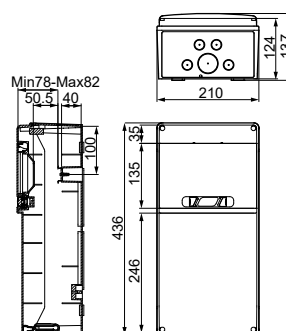
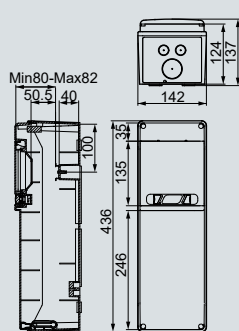
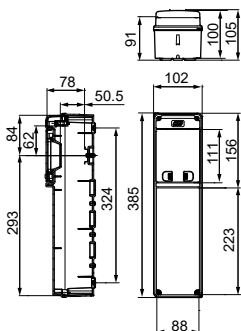
1x9 modules CSN9PT

TOP: 4xM20 - 1xM40
 BOTTOM: 4xM20 - 1xM40
 REAR OBLONG: 2xOB25x25



1x12 modules CSN12PT

TOP: 8xM20-2xM25/32-1xM40
 BOTTOM: 4xM20-2xM25-2xM32-1xM40
 REAR OBLONG: 2xOB 25/32/25



IP65 boxes for industrial sockets. With neutral and earth bars

| Reference No. | No. of modules | Dimensions | Weight | Power dissipation according to temperature increase °C P(W)* | | | | | Type |
|-------------------|--------------------|------------------------|--------|--------------------------------------------------------------|------|------|------|------|--------|
| | | | | 20 | 25 | 30 | 35 | 40 | |
| | | HEIGHT X WIDTH X DEPTH | KG | | | | | | |
| CSNPLUS/RR | - | 436x142x124 | 1.0 | 10.5 | 13.2 | 15.8 | 18.4 | 21.0 | 65TC00 |
| CSN4PT/R | 1x4 DIN rail | 385x102x105 | 0.7 | 10.0 | 12.5 | 15.0 | 17.5 | 20.0 | 65TC04 |
| CSN6PT/RR | 1x6 DIN rail | 436x142x137 | 1.2 | 14.3 | 17.9 | 21.5 | 25.1 | 28.7 | 65TC06 |
| CSN9PT/RR | 1x9 DIN rail | 436x210x137 | 1.5 | 16.7 | 20.9 | 25.1 | 29.2 | 33.4 | 65TC09 |
| CSN12PT/RR | 1x12 DIN rail | 436x310x147 | 2.2 | 24.1 | 30.1 | 36.1 | 42.1 | 48.2 | 65TC12 |
| CSN18PT/RR | 1x18 DIN rail | 436x418x147 | 2.7 | 30.0 | 37.5 | 45.1 | 52.6 | 60.1 | 65TC18 |
| CSN24PT/RR | 2x12 (24) DIN rail | 688x310x147 | 3.8 | 30.4 | 38.0 | 45.7 | 53.3 | 60.9 | 65TC24 |
| CSN36PT/RR | 2x18 (36) DIN rail | 728x418x147 | 4.9 | 49.5 | 61.8 | 74.2 | 86.6 | 98.8 | 65TC36 |

HALOGEN-FREE PLASTIC MATERIALS, WITH UV PROTECTION

Frame and base in ABS RAL 7035 grey.

Transparent PC tinted window.

IP65 - Surface.

/RR: With neutral and earth bars.

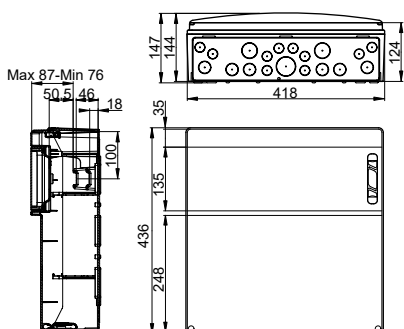
/R: With busbar PE or neutral.

* Calculations obtained according to the CEI 890:1997 standard (including Corrigendum 1998). Method of temperature-rise assessment by extrapolation for partially type-tested assemblies (PTTA) of low-voltage switchgear and control gear.



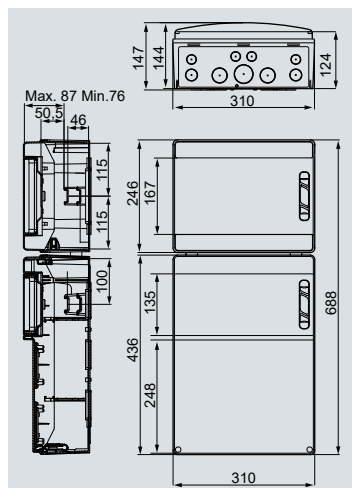
1x18 modules CSN18PT

TOP: 12xM20-6xM25-2xM32-1xM40
BOTTOM: 10xM20-6xM25-2xM32-1xM40
REAR OBLONG: 2xOB 25/32/25



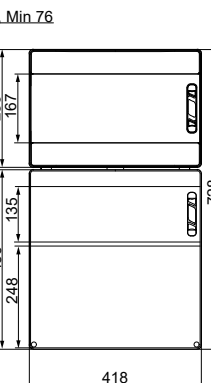
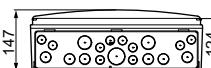
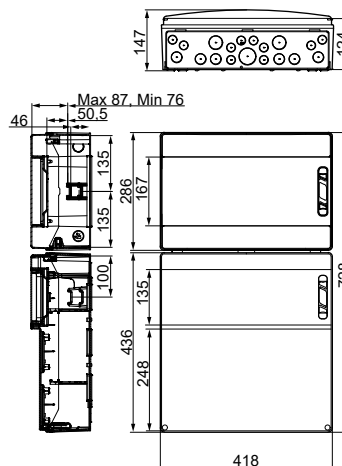
2x12 (24) modules CSN24PT

TOP: 6xM20-2xM25-2xM32-1xM40
BOTTOM: 4xM20-2xM25-1xM40
REAR OBLONG: 4xOB 25/32/25



2x18 (36) modules CSN36PT

TOP: 1xM40-2xM32-6xM25-12xM20
BOTTOM: 1xM40-2xM32-6xM25-10xM20
REAR OBLONG: 4xOB25/32/25



STAR KNOCK-OUT

IP65 boxes for industrial sockets with knock-out lids



Product series

- Surface enclosures with a capacity 6, 9, 12, 18, 24 and 36 modules with transparent window.
- Wall-mounted enclosures with knock-out and interchangeable covers, to install different types of sockets with multiple combinations.
- Interface box available to provide greater capacity.

Material

- Halogen-free plastic materials, with UV protection.
- Base: ABS RAL 7035.
- Transparent window: PC tinted window.

Supply

- Supplied in individual cardboard packaging. When several items are sent together, they are bundled together with transparent film.
- The enclosure is supplied with the windows assembled on the cover and the hinges attached to the base, leaving the cover totally free for handling by the installer. The rails are supplied assembled in all references.
- Accessory bag:
 - Base/cover screws.
 - Grey module cover (6 modules).
 - Module identification strips.
 - Hermetic caps.
 - Cover-base hinges.
 - Assembly instructions.

Watertight boxes for installation of industrial sockets

Interchangeable covers

The enclosure is supplied with the interchangeable covers as below:

| Reference No. | Plain covers | 16A/ IP67 Schuko-type covers | IP44/IP54 Schuko-type covers |
|---------------|--------------|------------------------------|------------------------------|
| | Ref. 94270 | Ref. 94271 | Ref. 94272 |
| PCSNPLUS | 3 | 1 | 1 |
| PCSN6PT | 2 | 1 | 1 |
| PCSN9PT | 4 | 2 | 2 |
| PCSN12PT | 6 | 2 | 2 |
| PCSN18PT | 8 | 3 | 4 |
| PCSN24PT | 6 | 2 | 2 |
| PCSN36PT | 8 | 3 | 4 |

Knock-out lids

| Reference No. | Description | Bases | Current (A) | Poles | IP |
|---------------|------------------------------------------------------------------------------------------------------------|-------------|-------------|-------------------------|-------------|
| 94270 | Plain covers: Supplied assembled. Remove the cover in order to install sockets. | Flush-fit | 16 | 3P+N+E | IP44 - IP67 |
| | | Flush-fit | 32 | 2P+E - 3P+E - 3P+N+E | IP44 - IP67 |
| 94271 | 16 A cover: Supplied in the box. Screw-in cover for socket installation. | Flush-fit | 16 | 2P+E - 3P+E | IP44 - IP67 |
| | | Schuko-type | 16 | 2P+E | IP67 |
| 94272 | Schuko-type cover: Supplied in the box. Screw-in and clip-on cover for Schuko-type socket installation. | Schuko-type | 16 | 2P+E | IP44 - IP54 |

Possibility of lids



1 and 4. PLAIN COVER (Ref. 94270)

It is supplied assembled, with knock-outs for the installation of pilot lights or pushbuttons.

Remove the plain cover in order to install sockets.

- 16 A (3P+N+E) - IP44-IP67.
- 32 A IP44-IP67.

2. 16A COVER (Ref. 94271)

Screw-in cover for socket installation:

- 16 A (2P+E) (3P+E) - IP44-IP67.
- Schuko-type 16 A - IP67.

3. SCHUKO-TYPE COVER (Ref. 94272)

Screw-in and clip-on cover for Schuko-type 16 A sockets - IP44-IP54.

STAR KNOCK-OUT

IP65 boxes for industrial sockets with knock-out lids

IP65 boxes for industrial sockets. With knock-out lids

| Reference No. | No. of modules | Dimensions | No. of covers | Weight | Power dissipation according to temperature increase °C P(W)* | | | | Type | |
|-----------------|--------------------|------------------------|---------------|--------|--------------------------------------------------------------|------|------|------|------|----------|
| | | | | | 20 | 25 | 30 | 35 | | 40 |
| PCSNPLUS | - | HEIGHT X WIDTH X DEPTH | | KG | | | | | | |
| PCSN6PT | 1x6 DIN rail | 436x142x124 | 5 | 1.1 | 14.6 | 18.3 | 21.9 | 25.6 | 29.2 | 65TC00TR |
| PCSN9PT | 1x9 DIN rail | 436x210x137 | 4 | 1.2 | 15.5 | 19.4 | 23.3 | 27.1 | 31.0 | 65TC06TR |
| PCSN12PT | 1x12 DIN rail | 436x310x147 | 8 | 1.6 | 19.3 | 24.1 | 29.0 | 33.8 | 38.6 | 65TC09TR |
| PCSN18PT | 1x18 DIN rail | 436x418x147 | 10 | 2.2 | 25.8 | 32.2 | 38.7 | 45.1 | 51.6 | 65TC12TR |
| PCSN24PT | 1x18 DIN rail | 436x418x147 | 15 | 2.8 | 32.0 | 39.9 | 47.9 | 55.9 | 63.9 | 65TC18TR |
| PCSN24PT | 2x12 (24) DIN rail | 688x310x147 | 10 | 3.8 | 37.1 | 46.4 | 55.7 | 65.0 | 74.3 | 65TC24TR |
| PCSN36PT | 2x18 (36) DIN rail | 728x418x147 | 15 | 4.9 | 49.5 | 61.8 | 74.2 | 86.6 | 98.9 | 65TC36TR |

HALOGEN-FREE PLASTIC MATERIALS, WITH UV PROTECTION

Frame and base in ABS RAL 7035 grey.

Transparent PC tinted window.

IP65 - Surface.

* Calculations obtained according to the CEI 890:1997 standard (including Corrigendum 1998). Method of temperature-rise assessment by extrapolation for partially type-tested assemblies (PTTA) of low-voltage switchgear and control gear.



PCSNPLUS

TOP: 2xM20 - 1xM40
 BOTTOM: 2xM20 - 1xM40
 OBLONG REAR: 2xOB25x25



1x6 modules PCSN6PT

TOP: 2xM20 - 1xM40
 BOTTOM: 2xM20 - 1xM40
 OBLONG REAR: 2xOB25x25



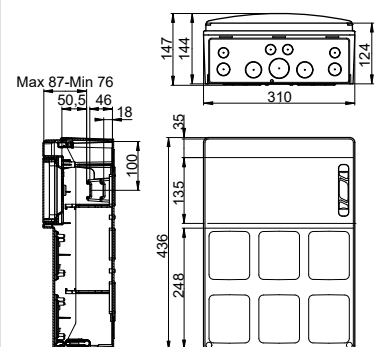
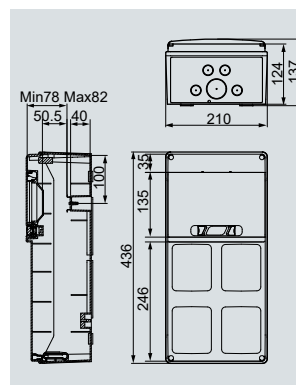
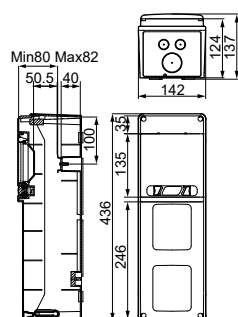
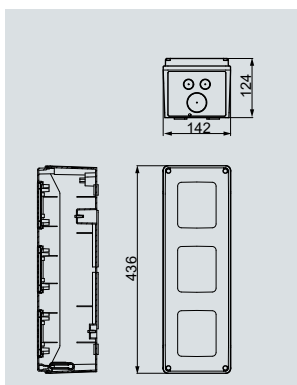
1x9 modules PCSN9PT

TOP: 4xM20 - 1xM40
 BOTTOM: 4xM20 - 1xM40
 OBLONG REAR: 2xOB25x25



1x12 modules PCSN12PT

TOP: 8xM20-2xM25/32-1xM40
 BOTTOM: 4xM20-2xM25-2xM32-1xM40
 OBLONG REAR: 2xOB 25/32/25



IP65 boxes for industrial sockets. With knock-out lids. With neutral and earth bars

| Reference No. | No. of modules | Dimensions | No. of covers | Weight KG | Power dissipation according to temperature increase °C P(W)* | | | | | Type |
|--------------------|--------------------|---------------------------------------|---------------|-----------|--------------------------------------------------------------|------|------|------|------|----------|
| | | | | | 20 | 25 | 30 | 35 | 40 | |
| PCSNPLUS/RR | - | HEIGHT X WIDTH X DEPTH 436x142x124 | 5 | 1.1 | 14.6 | 18.3 | 21.9 | 25.6 | 29.2 | 65TC00TR |
| PCSN6PT/RR | 1x6 DIN rail | 436x142x137 | 4 | 1.3 | 15.5 | 19.4 | 23.3 | 27.1 | 31.0 | 65TC06TR |
| PCSN9PT/RR | 1x9 DIN rail | 436x210x137 | 8 | 1.7 | 19.3 | 24.1 | 29.0 | 33.8 | 38.6 | 65TC09TR |
| PCSN12PT/RR | 1x12 DIN rail | 436x310x147 | 10 | 2.4 | 25.8 | 32.2 | 38.7 | 45.1 | 51.6 | 65TC12TR |
| PCSN18PT/RR | 1x18 DIN rail | 436x418x147 | 15 | 3.0 | 32.0 | 39.9 | 47.9 | 55.9 | 63.9 | 65TC18TR |
| PCSN24PT/RR | 2x12 (24) DIN rail | 688x310x147 | 10 | 4.0 | 37.1 | 46.4 | 55.7 | 65.0 | 74.3 | 65TC24TR |
| PCSN36PT/RR | 2x18 (36) DIN rail | 728x418x147 | 15 | 5.2 | 49.5 | 61.8 | 74.2 | 86.6 | 98.9 | 65TC36TR |

HALOGEN-FREE PLASTIC MATERIALS, WITH UV PROTECTION

Frame and base in ABS RAL 7035 grey.

Transparent PC tinted window.

IP65 - Surface.

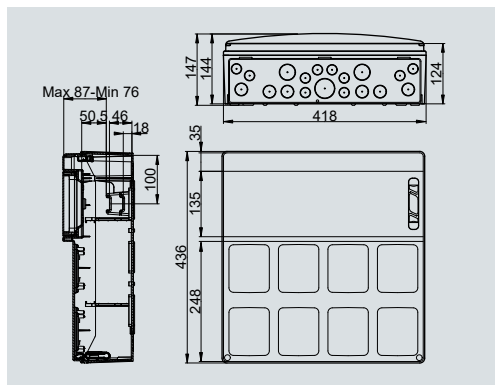
/RR: With neutral and earth bars.

* Calculations obtained according to the CEI 890:1997 standard (including Corrigendum 1998). Method of temperature-rise assessment by extrapolation for partially type-tested assemblies (PTTA) of low-voltage switchgear and control gear.



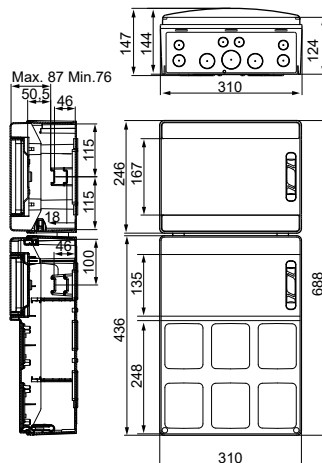
**1x18 modules
PCSN18PT**

TOP: 12xM20-6xM25/32-1xM40
 BOTTOM: 10xM20-6xM25-2xM32-1xM40
 OBLONG REAR: 2xOB 25/32/25



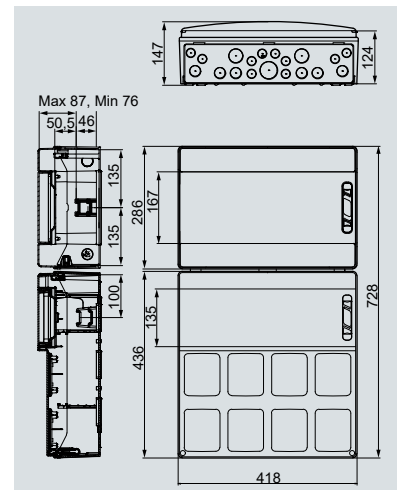
**2x12 (24) modules
PCSN24PT**

TOP: 6xM20-2xM25-2xM32-1xM40
 BOTTOM: 4xM20-2xM25-2xM32-1xM40
 OBLONG REAR: 4xOB 25/32/25



**2x18 (36) modules
PCSN36PT**

TOP: 1xM40-2xM32-6xM25-12xM20
 BOTTOM: 1xM40-2xM32-6xM25-10xM20
 OBLONG REAR: 4xOB25/32/25



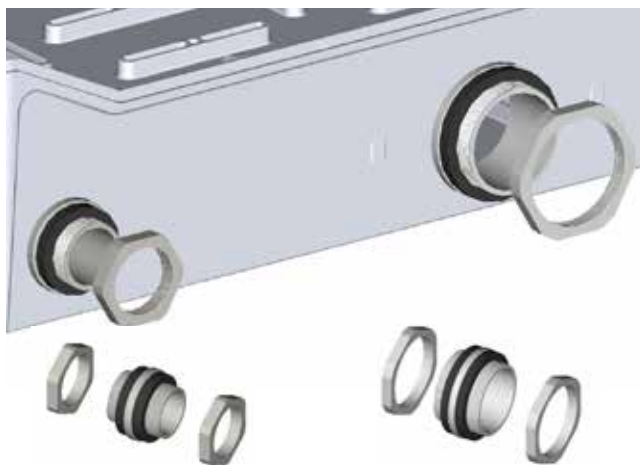
ECO-STAR SYSTEM

Ecology Series (Distribution boxes) + Star Series (Boxes for industrial sockets)

The Eco-Star system gives the possibility of joining the IP65 watertight distribution boxes (Ecology series) and IP65 boxes for industrial sockets (Star series), to create large-sized assemblies and modular capacity.

Combined with each other, they offer the installer the most versatile internationally-certified solution to combine distribution boxes and units for power sockets.

They have ample room for cables and extensive modular capacity. Intended for indoor and outdoor uses, wherever a high degree of protection and safety is required.



REF. 94273: M25 BUSHING

REF. 94274: M40 BUSHING

Join system

Joining these two models makes it possible to create large-sized power supply and distribution enclosures.

The boxes have marks on the sides for the easy installation of M25 and M40 bushings with rubber gasket to guarantee IP65 protection. They can be joined both vertically and horizontally.

The use of two M25 cable glands or a combination of an M25 cable gland and an M40 cable gland is recommended when more space is needed to run the cables.

Different joining possibilities and combinations



CDN24PT+CSN12PT



CSN12PT+PCSNPLUS



PCSN12PT+PCSN6PT

STAR + Additional module



| Reference No. | No. of modules | Weight | Components | |
|---------------------|----------------------------|--------|------------|---------|
| | | | References | |
| | | KG | | |
| CSN12PT/PLUS | 1x12 DIN rail + Additional | 3,0 | CSN12PT | CSNPLUS |

HALOGEN-FREE PLASTIC MATERIALS
FINISH: Grey RAL 7035 with transparent window.
DIMENSIONS: 436x452x147 mm.
 IP65 - Surface.



| Reference No. | No. of modules | Weight | Components | |
|---------------------|----------------------------|--------|------------|---------|
| | | | References | |
| | | KG | | |
| CSN18PT/PLUS | 1x18 DIN rail + Additional | 3,6 | CSN18PT | CSNPLUS |

HALOGEN-FREE PLASTIC MATERIALS
FINISH: Grey RAL 7035 with transparent window.
DIMENSIONS: 436x560x147 mm.
 IP65 - Surface.



| Reference No. | No. of modules | Weight | Components | | |
|----------------------|----------------------------|--------|------------|-------------|----|
| | | | References | No. of lids | |
| | | KG | | | |
| PCSN12PT/PLUS | 1x12 DIN rail + Additional | 3,3 | PCSN12PT | PCSNPLUS | 15 |

HALOGEN-FREE PLASTIC MATERIALS
FINISH: Grey RAL 7035 with transparent window.
DIMENSIONS: 436x452x147 mm.
 IP65 - Surface.



| Reference No. | No. of modules | Weight | Components | | |
|----------------------|----------------------------|--------|------------|-------------|----|
| | | | References | No. of lids | |
| | | KG | | | |
| PCSN18PT/PLUS | 1x18 DIN rail + Additional | 4,0 | PCSN18PT | PCSNPLUS | 20 |

HALOGEN-FREE PLASTIC MATERIALS
FINISH: Grey RAL 7035 with transparent window.
DIMENSIONS: 436x560x147 mm.
 IP65 - Surface.

ECOLOGY + Additional module



| Reference No. | No. of modules | Weight | Components | | |
|---------------------|---------------------------------|--------|------------|-------------|---|
| | | | References | No. of lids | |
| | | KG | | | |
| CDN24PT/PLUS | 2x12 (24) DIN rail + Additional | 3,5 | CDN24PT | PCSNPLUS | 5 |

HALOGEN-FREE PLASTIC MATERIALS
FINISH: Grey RAL 7035 with transparent window.
DIMENSIONS: 436x452x147 mm.
 IP65 - Surface.



| Reference No. | No. of modules | Weight | Components | | |
|-----------------------|---------------------------------|--------|------------|-------------|---|
| | | | References | No. of lids | |
| | | KG | | | |
| CDN36PT2F/PLUS | 2x18 (36) DIN rail + Additional | 4,2 | CDN36PT2F | PCSNPLUS | 5 |

HALOGEN-FREE PLASTIC MATERIALS
FINISH: Grey RAL 7035 with transparent window.
DIMENSIONS: 436x560x147 mm.
 IP65 - Surface.

The boxes are supplied disassembled. Mounting accessories are included.

STAR

IP65 boxes for industrial sockets

Special assemblies

4 DIFFERENT POSSIBILITIES.

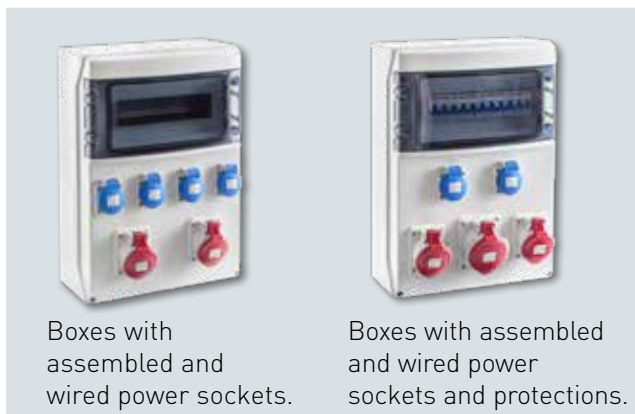
ASSEMBLE IT YOURSELF



Plain boxes.

Boxes with knock-out covers.

ORDER FROM THE FACTORY



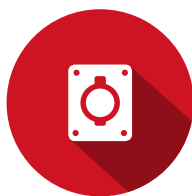
Boxes with assembled and wired power sockets.

Boxes with assembled and wired power sockets and protections.

How to proceed



1. SELECT THE BOX.



2. CHOOSE THE POWER SOCKETS.



3. INDICATE THE REQUIRED PROTECTION.



4. SUBMIT ALL THE INFORMATION TO OUR TECHNICAL DEPARTMENT.

You can request a quotation and technical assessment at export@ide.es

Special assemblies can be supplied in any combination, assembled and wired, with no minimum order quantity

Proposal of sockets for Star boxes

SCHUKO-TYPE FLUSH-FIT SOCKETS



| REF. | Poles | I | IP |
|-------|-------|------|----|
| 00102 | 2P+E | 16 A | 44 |
| 00452 | 2P+E | 16 A | 54 |
| 00105 | 2P+E | 16 A | 67 |

IP44 FLUSH-FIT SOCKETS



| REF. | Poles | I | Voltage |
|-------|--------|------|-----------|
| 02301 | 2P+E | 16 A | 200/250 V |
| 03302 | 3P+E | 16 A | 380/415 V |
| 03303 | 3P+N+E | 16 A | 200/415 V |
| 02304 | 2P+E | 32 A | 200/250 V |
| 03305 | 3P+E | 32 A | 380/415 V |
| 03306 | 3P+N+E | 32 A | 200/415 V |

IP67 FLUSH-FIT SOCKETS



| REF. | Poles | I | Voltage |
|-------|--------|------|-----------|
| 02801 | 2P+E | 16 A | 200/250 V |
| 03802 | 3P+E | 16 A | 380/415 V |
| 03803 | 3P+N+E | 16 A | 200/415 V |
| 02804 | 2P+E | 32 A | 200/250 V |
| 03805 | 3P+E | 32 A | 380/415 V |
| 03806 | 3P+N+E | 32 A | 200/415 V |

See our full range of plugs and sockets on page 378

STAR Accessories



NEUTRAL AND EARTH BAR

BOX HANDLE

SECURITY KEY FOR WINDOW OR TRIANGLE KEY

METAL SUPPORT

BUSHING M25 - M40

Accessories and screws

| | Ref. |
|-------------------------------------------------------------------------|----------------|
| Box handle for mobile installations 140x40 | 92110 |
| Box handle for mobile installations 110x35 | 92110/1 |
| Metal support | 48205 |
| Grey module cover (6 modules) | 77590 |
| M20 membrane cap | 92589 |
| M25 membrane cap | 92590 |
| M32 membrane cap | 92591 |
| Hermetic caps (4 pieces) | 77650 |
| Base frame internal hinge | 77020 |
| Window hinge | 22012 |
| 4x13 Screws for bar support and for securing the 94270 and 94272 covers | 92611 |
| 4x19 Screws for bar support and for securing the 94271 covers | 94292 |

Locks

| | Ref. |
|------------------------------------------|--------------|
| Security lock with key | 92150 |
| Triangle lock (2 pieces) + key (1 piece) | 92000 |
| Standard lock | 22010 |

Bushings and cable glands

| | Ref. |
|-------------------------|--------------|
| M25 bushing | 94273 |
| M40 bushing | 94274 |
| M25 cable gland IP68-69 | 92580 |
| M32 cable gland IP68-69 | 92582 |
| M40 cable gland IP68-69 | 92584 |
| M25 cable gland nut | 92581 |
| M32 cable gland nut | 92583 |
| M40 cable gland nut | 92585 |

Transparent windows

| | Ref. |
|------------|--------------------|
| 4 modules | 86490 |
| 6 modules | 86570 |
| 9 modules | 86580 |
| 12 modules | 86550 |
| 18 modules | 86560 |
| 24 modules | 86550+86430 |

Knock-out covers

| | Ref. |
|--------------------|--------------|
| Plain cover* | 94270 |
| 16A cover** | 94271 |
| Schuko-type cover* | 94272 |
| 4x13 screws | 92611 |
| 4x19 screws | 94292 |

* Screws Ref. 92611 must be requested for fixing.

** Screws Ref. 94292 must be requested for fixing.

Neutral and earth bars

| | Ref. | No. Modules | For box reference |
|------------------------------------------------|--------------|-------------|-------------------|
| Support + neutral or earth bar (5+1 entries) | 22019 | 4 | CSN4PT |
| Support + neutral and earth bar (4+2 entries) | 22007 | Add. / 6 | CSNPLUS - CSN6PT |
| Support + neutral and earth bar (8+1 entries) | 22001 | 9 | CSN9PT |
| Support + neutral and earth bar (12+2 entries) | 22002 | 12 | CSN12PT |
| Support + neutral and earth bar (16+2 entries) | 22003 | 18/24 | CSN18PT - CSN24PT |
| Support + neutral and earth bar (24+2 entries) | 22004 | 36 | CSN36PT |

ECOLOGY



IP65 Surface distribution boxes

The IP65 watertight distribution enclosures are manufactured with the highest-quality halogen-free plastic materials and are available in ABS and Polycarbonate. They have ample space for wiring and a modular capacity from 4 to 54 modules. They are intended for indoor and outdoor use, where enclosures with a high degree of protection and design are required.

The design allows installation together with STAR socket boxes to create large distribution and supply boards. For both indoor and outdoor use, provided the components meet the required standards.



ECOLOGY Technical Specifications

- **Degree of protection:** IP65.
- **Resistance to impact:** IK08.
- **Glow wire resistance:**
 - ABS: 650 °C.
 - Polycarbonate: 750 °C.
- **Ambient temperature range:** -25 °C / +40 °C.
- **Maximum operating voltage:** 1000 V AC/1500 V DC.
- **Double insulation:** Class II.

ECOLOGY Certifications



Compliant with the Low Voltage Directive 2014/35/UE.
Standards: UNE-EN 62208 and UNE-EN 61439-1
(as applicable).

Intended for industrial and outdoor facilities
where a high degree of protection and safety is
required

ECOLOGY

IP65 distribution boxes



Product series

- Surface enclosures with a capacity of 4, 6, 8, 12, 18, 24, 36 and 54 modules with transparent window.

Material

ABS version

- Halogen-free plastic materials, with UV protection.
- Base and frame: ABS RAL 7035 grey.
- Transparent window: PC tinted window.

Polycarbonate version

- Halogen-free plastic materials, with UV protection.
- Base and frame: PC RAL 7035 grey.
- Transparent window: PC tinted window.
Recommended for outdoor use.

Supply

- Supplied in individual packaging. When several items are sent together, they are bundled together with transparent film.
- TH35x7.5 symmetrical rail in enclosures with one row of modules and a compact frame in enclosures with two or more rows of modules. They are supplied assembled in all references.
- Accessory bag:
 - Hermetic caps.
 - Cover-base locking screws.
 - Grey module cover (6 modules).
 - Module identification strips.
 - Assembly instructions.

Available in ABS and Polycarbonate UV-ray resistant with a transparent window



Base

- Base with double height DIN rail (from 12 modules) providing greater space on the inside for wiring and devices, and a reinforcement rib that delivers greater rigidity.
- The sides have marks to facilitate the positioning of the bushing for joining boxes.
- The top and bottom sides have knock-outs with the standard metric diameters so that they can be quickly removed with a screwdriver for cable and pipe entry. These knockouts have central pre-marks to open other required diameters.
- The bottom of the base is fitted with supports for attaching neutral and earth bars, as well as the housings for attaching the DIN rail. It also has pre-marks to open other diameters.

Frame

- The frame has double height which gives it greater rigidity.
- The frame-base unit is closed by means of 1/4 turn captive sealable power screws. This creates a box that can be sealed at four points.
- Covered with a sealing gasket that guarantees the IP protection of the unit.

Window

- Transparent tinted windows with UV protection.
- The window is covered with a sealing gasket to guarantee the assembly's IP protection.
- Reversible 180° horizontal window opening, except CDN4G box with 90° vertical opening.
- Lock with the IDE logotype with pressure-operated opening and closing, except CDN4G. The lock can be replaced with key locks or triangular locks (inserts supplied as accessories).



DIN rail attachment

- For 1-row models, the rail is inserted into the side housing, without a screw, and is secured by means of a screw on the other side.
- For models with 2 or more rows, a detachable frame is inserted.
- Double rail and frame positioning height as of 12 modules of capacity.
- The DIN rail is attached to the base with 4x13 special screws for plastic.
- The rails are supplied assembled in the bases.

Wall-mounting

- There are two possible wall-mounting systems:
- By means of four screws, directly from the housings located at the bottom of the base provided for this purpose; these housings are covered with hermetic caps (supplied in the accessories bag, ref. 77650) to maintain the degree of protection and dielectric strength.
- Through the holes made for the purpose of securing the frame-base, by means of four screws, except CDN4G.

ECOLOGY

IP65 distribution boxes

IP65 surface distribution boxes (ABS)

| Reference No. | No. of modules | Dimensions | Weight | Power dissipation according to temperature increase °C P(W)* | | | | | Type |
|----------------|----------------|--------------------|--------|--------------------------------------------------------------|------|------|------|------|-------|
| | | | | 20 | 25 | 30 | 35 | 40 | |
| | | HEIGHTXWIDTHXDEPTH | KG | | | | | | |
| CDN4G | 1x4 DIN rail | 177x102x105 | 0.3 | 5.0 | 6.2 | 7.5 | 8.7 | 10.0 | 65SG4 |
| CDN4PT | 1x4 DIN rail | 231x166x113 | 0.7 | 8.9 | 11.1 | 13.3 | 15.5 | 17.8 | 65S04 |
| CDN6PT | 1x6 DIN rail | 231x202x113 | 0.9 | 10.1 | 12.6 | 15.1 | 17.7 | 20.2 | 65S06 |
| CDN8PT | 1x8 DIN rail | 231x238x118 | 1.0 | 11.6 | 14.5 | 17.4 | 20.3 | 23.1 | 65S08 |
| CDN12PT | 1x12 DIN rail | 246x310x148 | 1.4 | 16.6 | 20.7 | 24.8 | 29.0 | 33.1 | 65S12 |
| CDN18PT | 1x18 DIN rail | 286x418x148 | 2.0 | 23.1 | 28.9 | 34.7 | 40.4 | 46.2 | 65S18 |

CONTINUED ON PAGE 266.

IP65 surface distribution boxes (Polycarbonate)

| Reference No. | No. of modules | Dimensions | Weight | Power dissipation according to temperature increase °C P(W)* | | | | | Type |
|----------------|----------------|--------------------|--------|--------------------------------------------------------------|------|------|------|------|-------|
| | | | | 20 | 25 | 30 | 35 | 40 | |
| | | HEIGHTXWIDTHXDEPTH | KG | | | | | | |
| CDP4PT | 1x4 DIN rail | 231x166x113 | 0.8 | 8.9 | 11.1 | 13.3 | 15.5 | 17.8 | 65S04 |
| CDP6PT | 1x6 DIN rail | 231x202x113 | 1.0 | 10.1 | 12.6 | 15.1 | 17.7 | 20.2 | 65S06 |
| CDP8PT | 1x8 DIN rail | 231x238x118 | 1.0 | 11.6 | 14.5 | 17.4 | 20.3 | 23.1 | 65S08 |
| CDP12PT | 1x12 DIN rail | 246x310x148 | 1.5 | 16.6 | 20.7 | 24.8 | 29.0 | 33.1 | 65S12 |
| CDP18PT | 1x18 DIN rail | 286x418x148 | 2.1 | 23.1 | 28.9 | 34.7 | 40.4 | 46.2 | 65S18 |

CONTINUED ON PAGE 266.

HALOGEN-FREE PLASTIC MATERIALS, WITH UV PROTECTION

Ref. CDN: Frame and base in ABS RAL 7035 grey. Transparent PC tinted window.

Ref. CDP: Frame and base in PC RAL 7035 grey. Transparent PC tinted window.

IP65 - Surface - Sealable.

* Calculations obtained according to the CEI 890:1997 standard (including Corrigendum 1998). Method of temperature-rise assessment by extrapolation for partially type-tested assemblies (PTTA) of low-voltage switchgear and control gear.



**1x4 modules
CDN4G**

TOP: 1xM25



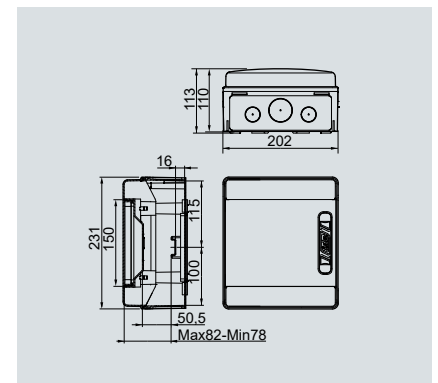
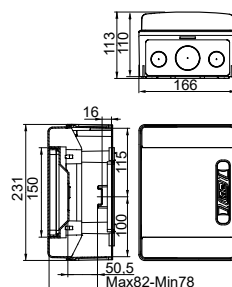
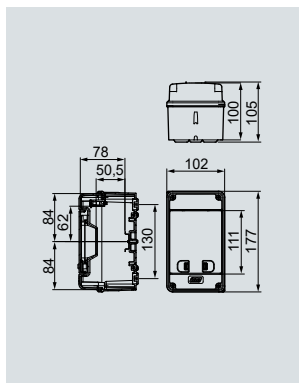
**1x4 modules
CDN4PT**

TOP: 2xM25-1xM40
BOTTOM: 2xM25-1xM40
OBLONG REAR: 2xOB25/25



**1x6 modules
CDN6PT**

TOP: 2xM25-1xM40
BOTTOM: 2xM25-1xM40
OBLONG REAR: 2xOB25/25





IP65 surface distribution boxes. With neutral and earth bars (ABS)

| Reference No. | No. of modules | Dimensions | Weight | Power dissipation according to temperature increase °C P(W)* | | | | | Type |
|-------------------|----------------|-------------|--------|--------------------------------------------------------------|-------|-------|------|------|-------|
| | | | | HEIGHT | WIDTH | DEPTH | 20 | 25 | |
| CDN4G/R | 1x4 DIN rail | 177x102x105 | 0.5 | 5.0 | 6.2 | 7.5 | 8.7 | 10.0 | 65S4G |
| CDN4PT/RR | 1x4 DIN rail | 231x166x113 | 0.8 | 8.9 | 11.1 | 13.3 | 15.5 | 17.8 | 65S04 |
| CDN6PT/RR | 1x6 DIN rail | 231x202x113 | 1.0 | 10.1 | 12.6 | 15.1 | 17.7 | 20.2 | 65S06 |
| CDN8PT/RR | 1x8 DIN rail | 231x238x118 | 1.1 | 11.6 | 14.5 | 17.4 | 20.3 | 23.1 | 65S08 |
| CDN12PT/RR | 1x12 DIN rail | 246x310x148 | 1.6 | 16.6 | 20.7 | 24.8 | 29.0 | 33.1 | 65S12 |
| CDN18PT/RR | 1x18 DIN rail | 286x418x148 | 2.2 | 23.1 | 28.9 | 34.7 | 40.4 | 46.2 | 65S18 |

CONTINUED ON PAGE 267.

IP65 surface distribution boxes. With neutral and earth bars (Polycarbonate)

| Reference No. | No. of modules | Dimensions | Weight | Power dissipation according to temperature increase °C P(W)* | | | | | Type |
|-------------------|----------------|-------------|--------|--------------------------------------------------------------|-------|-------|------|------|-------|
| | | | | HEIGHT | WIDTH | DEPTH | 20 | 25 | |
| CDP4PT/RR | 1x4 DIN rail | 231x166x113 | 0.9 | 8.9 | 11.1 | 13.3 | 15.5 | 17.8 | 65S04 |
| CDP6PT/RR | 1x6 DIN rail | 231x202x113 | 1.0 | 10.1 | 12.6 | 15.1 | 17.7 | 20.2 | 65S06 |
| CDP8PT/RR | 1x8 DIN rail | 231x238x118 | 1.1 | 11.6 | 14.5 | 17.4 | 20.3 | 23.1 | 65S08 |
| CDP12PT/RR | 1x12 DIN rail | 246x310x148 | 1.7 | 16.6 | 20.7 | 24.8 | 29.0 | 33.1 | 65S12 |
| CDP18PT/RR | 1x18 DIN rail | 286x418x148 | 2.3 | 23.1 | 28.9 | 34.7 | 40.4 | 46.2 | 65S18 |

CONTINUED ON PAGE 267.

HALOGEN-FREE PLASTIC MATERIALS, WITH UV PROTECTION

Ref. CDN: Frame and base in ABS RAL 7035 grey. Transparent PC tinted window.

Ref. CDP: Frame and base in PC RAL 7035 grey. Transparent PC tinted window.

IP65 - Surface - Sealable.

/RR: With neutral and earth bars.

/R: With busbar PE or neutral.

* Calculations obtained according to the CEI 890:1997 standard (including Corrigendum 1998). Method of temperature-rise assessment by extrapolation for partially type-tested assemblies (PTTA) of low-voltage switchgear and control gear.



**1x8 modules
CDN8PT**

TOP: 4xM25-1xM40
BOTTOM: 4xM25+1xM40
INT: -
OBLONG REAR: 2xOB25/25



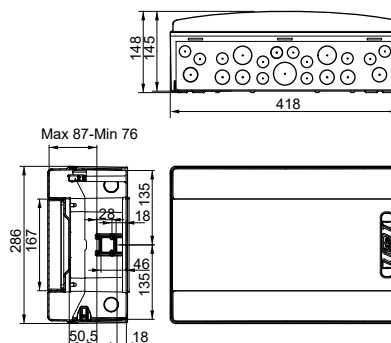
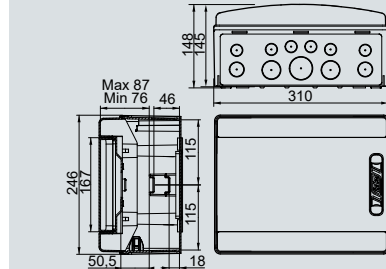
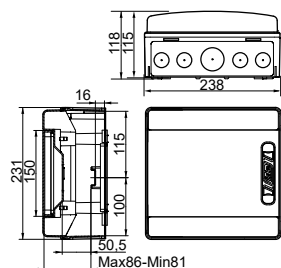
**1x12 modules
CDN12PT**

TOP: 6xM20-2xM25-2xM32-1xM40
BOTTOM: 6xM20-2xM25-2xM32-1xM40
INT: 4xM25
OBLONG REAR: 2xOB 25/32/25



**1x18 modules
CDN18PT**

TOP: 12xM20-6xM25-2xM32-1xM40
BOTTOM: 12xM20-6xM25-2xM32-1xM40
INT: 4xM25
OBLONG REAR: 2xOB 25/32/25



ECOLOGY

IP65 distribution boxes

IP65 surface distribution boxes (ABS)

| Reference No. | No. of modules | Dimensions | Weight | Power dissipation according to temperature increase °C P(W)* | | | | | Type |
|---------------|--------------------|-------------|--------|--------------------------------------------------------------|-------|-------|------|------|-------|
| | | | | HEIGHT | WIDTH | DEPTH | KG | 20 | |
| CDN24PT | 2x12 (24) DIN rail | 436x310x148 | 2.4 | 25.9 | 32.3 | 38.8 | 45.3 | 51.7 | 65S24 |
| CDN36PT2F | 2x18 (36) DIN rail | 436x418x148 | 3.1 | 32.1 | 40.1 | 48.1 | 56.1 | 64.1 | 65S36 |
| CDN36PT3F | 3x12 (36) DIN rail | 586x310x148 | 3.1 | 33.2 | 41.5 | 49.8 | 58.1 | 66.5 | 65S36 |
| CDN54PT | 3x18 (54) DIN rail | 586x418x148 | 4.0 | 41.0 | 51.2 | 61.5 | 71.7 | 82.0 | 65S54 |

IP65 surface distribution boxes (Polycarbonate)

| Reference No. | No. of modules | Dimensions | Weight | Power dissipation according to temperature increase °C P(W)* | | | | | Type |
|---------------|--------------------|-------------|--------|--------------------------------------------------------------|-------|-------|------|------|-------|
| | | | | HEIGHT | WIDTH | DEPTH | KG | 20 | |
| CDP24PT | 2x12 (24) DIN rail | 436x310x148 | 2.6 | 25.9 | 32.3 | 38.8 | 45.3 | 51.7 | 65S24 |
| CDP36PT2F | 2x18 (36) DIN rail | 436x418x148 | 3.3 | 32.1 | 40.1 | 48.1 | 56.1 | 64.1 | 65S36 |
| CDP36PT3F | 3x12 (36) DIN rail | 586x310x148 | 3.3 | 33.2 | 41.5 | 49.8 | 58.1 | 66.5 | 65S36 |
| CDP54PT | 3x18 (54) DIN rail | 586x418x148 | 4.3 | 41.0 | 51.2 | 61.5 | 71.7 | 82.0 | 65S54 |

HALOGEN-FREE PLASTIC MATERIALS, WITH UV PROTECTION

Ref. CDN: Frame and base in ABS RAL 7035 grey. Transparent PC tinted window.

Ref. CDP: Frame and base in PC RAL 7035 grey. Transparent PC tinted window.

IP65 - Surface - Sealable.

* Calculations obtained according to the CEI 890:1997 standard (including Corrigendum 1998). Method of temperature-rise assessment by extrapolation for partially type-tested assemblies (PTTA) of low-voltage switchgear and control gear.



2x12 (24) modules CDN24PT

TOP: 8xM20-2xM25-2xM32-1xM40
BOTTOM: 6xM20-2xM25-2xM32-1xM40
INT: 4xM25
OBLONG REAR: 2xOB 25/32/25

2x18 (36) modules CDN36PT2F

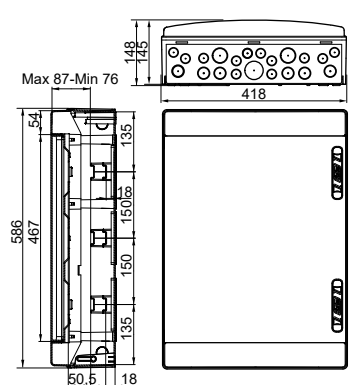
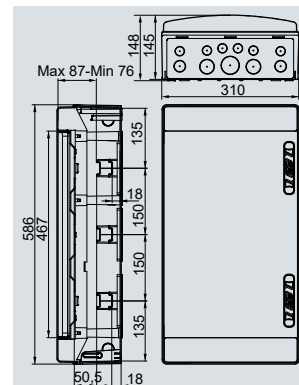
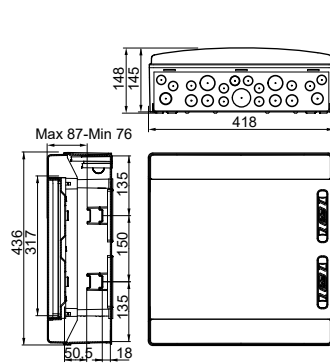
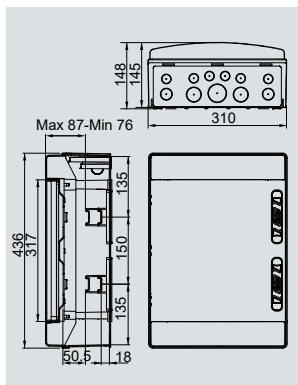
TOP: 12xM20-6xM25-2xM32-1xM40
BOTTOM: 12xM20-6xM25-2xM32-1xM40
INT: 4xM25
OBLONG REAR: 2xOB 25/32/25

3x12 (36) modules CDN36PT3F

TOP: 8xM20-2xM25-2xM32-1xM40
BOTTOM: 6xM20-2xM25-2xM32-1xM40
INT: 4xM25
OBLONG REAR: 2xOB 25/32/25

3x18 (54) modules CDN54PT

TOP: 12xM20-6xM25-2xM32-1xM40
BOTTOM: 12xM20-6xM25-2xM32-1xM40
INT: 4xM25
OBLONG REAR: 2xOB 25/32/25





IP65 surface distribution boxes. With neutral and earth bars (ABS)

| Reference No. | No. of modules | Dimensions | Weight | Power dissipation according to temperature increase °C P(W)* | | | | | Type |
|---------------------|--------------------|-------------|--------|--------------------------------------------------------------|------|------|------|------|-------|
| | | | | HEIGHTXWIDTHXDEPTH | KG | 20 | 25 | 30 | |
| CDN24PT/RR | 2x12 (24) DIN rail | 436x310x148 | 2.6 | 25.9 | 32.3 | 38.8 | 45.3 | 51.7 | 65S24 |
| CDN36PT2F/RR | 2x18 (36) DIN rail | 436x418x148 | 3.4 | 32.1 | 40.1 | 48.1 | 56.1 | 64.1 | 65S36 |
| CDN36PT3F/RR | 3x12 (36) DIN rail | 586x310x148 | 3.4 | 33.2 | 41.5 | 49.8 | 58.1 | 66.5 | 65S36 |
| CDN54PT/RR | 3x18 (54) DIN rail | 586x418x148 | 4.4 | 41.0 | 51.2 | 61.5 | 71.7 | 82.0 | 65S54 |

IP65 surface distribution boxes. With neutral and earth bars (Polycarbonate)

| Reference No. | No. of modules | Dimensions | Weight | Power dissipation according to temperature increase °C P(W)* | | | | | Type |
|---------------------|--------------------|-------------|--------|--------------------------------------------------------------|------|------|------|------|-------|
| | | | | HEIGHTXWIDTHXDEPTH | KG | 20 | 25 | 30 | |
| CDP24PT/RR | 2x12 (24) DIN rail | 436x310x148 | 2.8 | 25.9 | 32.3 | 38.8 | 45.3 | 51.7 | 65S24 |
| CDP36PT2F/RR | 2x18 (36) DIN rail | 436x418x148 | 3.6 | 32.1 | 40.1 | 48.1 | 56.1 | 64.1 | 65S36 |
| CDP36PT3F/RR | 3x12 (36) DIN rail | 586x310x148 | 3.6 | 33.2 | 41.5 | 49.8 | 58.1 | 66.5 | 65S36 |
| CDP54PT/RR | 3x18 (54) DIN rail | 586x418x148 | 4.7 | 41.0 | 51.2 | 61.5 | 71.7 | 82.0 | 65S54 |

HALOGEN-FREE PLASTIC MATERIALS, WITH UV PROTECTION

Ref. CDN: Frame and base in ABS RAL 7035 grey. Transparent PC tinted window.

Ref. CDP: Frame and base in PC RAL 7035 grey. Transparent PC tinted window.

IP65 - Surface - Sealable.

/RR: With neutral and earth bars.

* Calculations obtained according to the CEI 890:1997 standard (including Corrigendum 1998). Method of temperature-rise assessment by extrapolation for partially type-tested assemblies (PTTA) of low-voltage switchgear and control gear.

Ultra-modern design and plenty of space for wiring

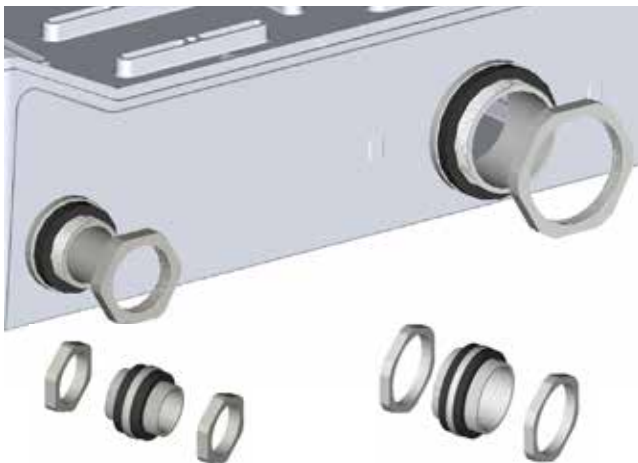
ECO-STAR SYSTEM

Ecology Series (Distribution boxes) + Star Series (Boxes for industrial sockets)

The Eco-Star system gives the possibility of joining the IP65 watertight distribution boxes (Ecology series) and IP65 boxes for industrial sockets (Star series), to create large-sized assemblies and modular capacity.

Combined with each other, they offer the installer the most versatile internationally-certified solution to combine distribution boxes and units for power sockets.

They have ample room for cables and extensive modular capacity. Intended for indoor and outdoor uses, wherever a high degree of protection and safety is required.



REF. 94273: M25 BUSHING

REF. 94274: M40 BUSHING

Join system

Joining these two models makes it possible to create large-sized power supply and distribution enclosures.

The boxes have marks on the sides for the easy installation of M25 and M40 bushings with rubber gasket to guarantee IP65 protection. They can be joined both vertically and horizontally.

The use of two M25 cable glands or a combination of an M25 cable gland and an M40 cable gland is recommended when more space is needed to run the cables.

Different joining possibilities and combinations



CDN24PT+CSN12PT



CSN12PT+PCSNPLUS



PCSN12PT+PCSN6PT

STAR + Additional module



| Reference No. | No. of modules | Weight | Components | |
|---------------------|----------------------------|--------|------------|---------|
| | | | References | |
| | | KG | | |
| CSN12PT/PLUS | 1x12 DIN rail + Additional | 3,0 | CSN12PT | CSNPLUS |

HALOGEN-FREE PLASTIC MATERIALS
FINISH: Grey RAL 7035 with transparent window.
DIMENSIONS: 436x452x147 mm.
 IP65 - Surface.



| Reference No. | No. of modules | Weight | Components | |
|---------------------|----------------------------|--------|------------|---------|
| | | | References | |
| | | KG | | |
| CSN18PT/PLUS | 1x18 DIN rail + Additional | 3,6 | CSN18PT | CSNPLUS |

HALOGEN-FREE PLASTIC MATERIALS
FINISH: Grey RAL 7035 with transparent window.
DIMENSIONS: 436x560x147 mm.
 IP65 - Surface.



| Reference No. | No. of modules | Weight | Components | | |
|----------------------|----------------------------|--------|------------|-------------|----|
| | | | References | No. of lids | |
| | | KG | | | |
| PCSN12PT/PLUS | 1x12 DIN rail + Additional | 3,3 | PCSN12PT | PCSNPLUS | 15 |

HALOGEN-FREE PLASTIC MATERIALS
FINISH: Grey RAL 7035 with transparent window.
DIMENSIONS: 436x452x147 mm.
 IP65 - Surface.



| Reference No. | No. of modules | Weight | Components | | |
|----------------------|----------------------------|--------|------------|-------------|----|
| | | | References | No. of lids | |
| | | KG | | | |
| PCSN18PT/PLUS | 1x18 DIN rail + Additional | 4,0 | PCSN18PT | PCSNPLUS | 20 |

HALOGEN-FREE PLASTIC MATERIALS
FINISH: Grey RAL 7035 with transparent window.
DIMENSIONS: 436x560x147 mm.
 IP65 - Surface.

ECOLOGY + Additional module



| Reference No. | No. of modules | Weight | Components | | |
|---------------------|---------------------------------|--------|------------|-------------|---|
| | | | References | No. of lids | |
| | | KG | | | |
| CDN24PT/PLUS | 2x12 (24) DIN rail + Additional | 3,5 | CDN24PT | PCSNPLUS | 5 |

HALOGEN-FREE PLASTIC MATERIALS
FINISH: Grey RAL 7035 with transparent window.
DIMENSIONS: 436x452x147 mm.
 IP65 - Surface.



| Reference No. | No. of modules | Weight | Components | | |
|-----------------------|---------------------------------|--------|------------|-------------|---|
| | | | References | No. of lids | |
| | | KG | | | |
| CDN36PT2F/PLUS | 2x18 (36) DIN rail + Additional | 4,2 | CDN36PT2F | PCSNPLUS | 5 |

HALOGEN-FREE PLASTIC MATERIALS
FINISH: Grey RAL 7035 with transparent window.
DIMENSIONS: 436x560x147 mm.
 IP65 - Surface.

The boxes are supplied disassembled. Mounting accessories are included.

ECOLOGY

IP65 distribution boxes

ECOLOGY Accessories



NEUTRAL AND EARTH BAR SUPPORT

SECURITY KEY FOR WINDOW OR TRIANGLE KEY

BUSHING FOR JOINING BOXES

CABLE GLAND AND CABLE GLAND NUT

MODULE COVER

FRAME-BASE HINGES

Neutral and earth bars

In some markets, the technical regulations governing installation require neutral and earth conductors to be connected to a common busbar. The base of these boxes has specific supports for this purpose. The neutral and earth bars are inserted into a side housing, without a screw, and are secured by means of a screw on the other side.

They may be supplied as an accessory or they can be supplied already assembled by ordering the /RR references.

Neutral and earth bar structure

| Ref. No. | Terminal I | | Terminal II | | Cable section | |
|--------------|------------|------|-------------|------|--------------------------------------------------------------------------------------------------------------|--------------------------------------------------------------------------------------------------------------|
| | N | E | N | E | NEUTRAL | EARTH |
| 22019 | 5+1 | - | - | - | 1x(16-35 mm ²)+5x(10-25 mm ²) | - |
| 22000 | 4+1 | 4+1 | - | - | 1x(16-35 mm ²)+2x(2,5-6 mm ²)+2(4-10 mm ²) | 1x(16-35 mm ²)+2x(2,5-6 mm ²)+2(4-10 mm ²) |
| 22001 | 8+1 | 8+1 | - | - | 5x(2,5-6 mm ²)+3x(4-10 mm ²)+1x(16-35 mm ²) | 5x(2,5-6 mm ²)+3x(4-10 mm ²)+1x(16-35 mm ²) |
| 22002 | 12+2 | 12+2 | - | - | 6x(2,5-6 mm ²)+6x(4-10 mm ²)+1x(10-25 mm ²)+1x(16-35 mm ²) | 6x(2,5-6 mm ²)+6x(4-10 mm ²)+1x(10-25 mm ²)+1x(16-35 mm ²) |
| 22003 | 16+2 | 16+2 | - | - | 8x(2,5-6 mm ²)+8x(4-10 mm ²)+1x(10-25 mm ²)+1x(16-35 mm ²) | 8x(2,5-6 mm ²)+8x(4-10 mm ²)+1x(10-25 mm ²)+1x(16-35 mm ²) |
| 22004 | 24+2 | - | - | 24+2 | 12x(2,5-6 mm ²)+12x(4-10 mm ²)+1x(10-25 mm ²)+1x(16-35 mm ²) | 12x(2,5-6 mm ²)+12x(4-10 mm ²)+1x(10-25 mm ²)+1x(16-35 mm ²) |
| 22005 | 32+4 | - | - | 32+4 | 16x(2,5-6 mm ²)+16x(4-10 mm ²)+2x(10-25 mm ²)+2x(16-35 mm ²) | 16x(2,5-6 mm ²)+16x(4-10 mm ²)+2x(10-25 mm ²)+2x(16-35 mm ²) |



ECOLOGY Accessories

| Miscellaneous | Ref. |
|---------------------------------------------------------|--------------|
| Interior frame-base hinge (24-36-54 mod.) (2 pieces) | 77020 |
| Cover-base locking screws | 77200 |
| Window hinge | 22012 |
| Grey module cover (6 modules) | 77590 |
| Hermetic caps (4 pieces) | 77650 |
| M20 membrane cap | 92589 |
| M25 membrane cap | 92590 |
| M32 membrane cap | 92591 |
| 4x13 screw for bar support | 92611 |

| Locks | Ref. |
|------------------------------------------|--------------|
| Standard lock | 22010 |
| Security lock with key | 92150 |
| Triangle lock (2 pieces) + key (1 piece) | 92000 |

| Transparent windows | Ref. |
|---------------------|--------------|
| 4 modules (CDN4G) | 86490 |
| 4 modules (CDN4PT) | 86400 |
| 6 modules | 86410 |
| 8 modules | 86420 |
| 12 modules | 86430 |
| 18 modules | 86520 |
| 24 modules | 86440 |
| 36 modules (2 rows) | 86450 |
| 36 modules (3 rows) | 86460 |
| 54 modules | 86470 |

| Bushings and cable glands | Ref. |
|---------------------------|--------------|
| M25 bushing | 94273 |
| M40 bushing | 94274 |
| M25 cable gland IP68-69 | 92580 |
| M32 cable gland IP68-69 | 92582 |
| M40 cable gland IP68-69 | 92584 |
| M25 cable gland nut | 92581 |
| M32 cable gland nut | 92583 |
| M40 cable gland nut | 92585 |

| Neutral and earth bars | Ref. | No. modules | For box reference |
|------------------------------------------------|--------------|-------------|-------------------|
| Support + neutral or earth bar (5+1 entries) | 22019 | 4 | CDN4G |
| Support + neutral and earth bar (4+1 entries) | 22000 | 4/6 | CDN4PT - CDN6PT |
| Support + neutral and earth bar (8+1 entries) | 22001 | 8 | CDN8PT |
| Support + neutral and earth bar (12+2 entries) | 22002 | 12 | CDN12PT |
| Support + neutral and earth bar (16+2 entries) | 22003 | 18/24 | CDN18PT - CDN24PT |
| Support + neutral and earth bar (24+2 entries) | 22004 | 36 | CDN36PT |
| Support + neutral and earth bar (32+4 entries) | 22005 | 54 | CDN54PT |

LIGHT



IP65-IP67 Watertight junction boxes

The LIGHT series is a set of watertight surface boxes intended for electrical junctions or for trunking boxes.

They can also be used to build electrical or electronic switchboards. With the right accessories, small terminal junction boxes can be built, and power sockets can be used to create small electric power supply blocks.

This series is completed with the motor-protection and electrical and electronic protection boxes for machine tools or similar applications.

IP
65IP
67

CE



LIGHT

LIGHT Technical Specifications

- **Degree of protection:** IP65-IP67*.
- **Resistance to impact:** IK07.
- **Glow wire resistance:** 650 °C.
- **Ambient temperature range:** -25 °C / +40 °C.
- **Maximum operating voltage:** 1000 V AC/1500 V DC.
- **Double insulation:** Class II.

* Except ref. EP048, EP088 and EX088 (IP54).

LIGHT Certifications



Compliant with the Low Voltage Directive 2014/35/EU.
Standards: IEC 60998-2-5 and IEC 60670-22.

Intended for industrial and outdoor facilities.
where a high degree of protection against dust and
impacts is required

LIGHT

IP65-IP67 junction boxes



Product series

Standard:

- Seven watertight junction boxes.
- Three watertight motor-protection boxes.
- Each of these models is manufactured in three different versions:
 - With conical cable glands.
 - With knock-out sides.
 - With plain sides.
- The three largest models are available with opaque or transparent cover.
- A series of assemblies with standard power sockets is offered.

Special:

- Using the basic versions, special versions can be created to suit the needs of each customer or to comply with the specific regulations of the target markets.
- Special assemblies with power sockets can be supplied in any combination, with no minimum order quantity.

Supply

- The boxes are supplied individually, shrink-wrapped and in multiple cardboard packaging, according to minimum packaging units.
- EP048 is not supplied shrink-wrapped, it is supplied with the label over the cover.
- Boxes with conical cable glands are supplied with the cone assembled.
- Accessory bag: Bag with 2 arrow screws plus 2 screws without arrow.

Material

- Halogen-free plastic materials.
- Opaque base and cover: Shock-proof PS RAL 7035.
- Transparent cover: PC tinted window, with UV protection.
- Conical cable glands: PVC.

Possibility of special assemblies with no minimum order quantity

Table for DIN rails

| Box type | Direction | Hole distance | Rail length | Reference No. |
|-----------|------------|---------------|-------------|---------------|
| | | (mm) | (mm) | |
| Boxes 111 | Vertical | 77,5 | 87,5 | 98460 |
| | Horizontal | 77,5 | 87,5 | |
| Boxes 161 | Vertical | 77,5 | 87,5 | 98460 |
| | Horizontal | 127 | 137 | |
| Boxes 171 | Vertical | 127 | 137 | 92713 |
| | Horizontal | 127 | 137 | |
| Boxes 231 | Vertical | 139 | 159 | 92721 |
| | Horizontal | 187 | 207 | |
| Boxes 322 | Vertical | 187 | 207 | 92722 |
| | Horizontal | 262 | 271 | |



Base

- The junction and motor-protection boxes are available in three versions:
 - Plain sides.
 - Sides with closed knock-outs, adapted to the metric and easy to remove.
 - Sides with cut-outs for fitting conical cable glands.
- The wall-mounting points are located at the bottom of the base and can be hermetically isolated using caps that guarantee the box's IP protection and dielectric strength. These caps are supplied as an accessory (Ref. 77650).
- There are also slotted ribs at the bottom of the base for securing tap-off terminals and plates.
- The supports for securing the DIN rails are also located there. They can be ordered as an accessory (see page 281).
- There are closed knock-outs on the outside of the box bottom to facilitate the entry of cables from the back.
- There are vertical ribs on the four inside walls to give the part greater rigidity.
- There are also open or closed cut-outs, depending on the versions. These cut-outs have a diameter of 25 or 40 mm and the number and size depends on the box size.

Covers

- The covers are smooth and rounded and, together with the inside ribs, afford the whole unit excellent rigidity.
- In the 111 to 322 models, the covers have a continuous recess for an injected rubber gasket that guarantees maximum IP65-IP67 protection. These covers have a clip to make the screws captive.
- The EP048 and EP088 models have a base-cover clipping system that delivers IP54 protection.
- The covers used for motor-protection boxes are higher to be able to house the electrical devices typical of this type of box.

Screws

- These boxes are supplied with four ¼ turn plastic screws made captive by means of a clip located on the cover. The covers of the references EP048 and EP088 are clipped without screws.
- Two of the screws have pins that give the cover a hinge effect and keep the unit together.
- These screws have a hole through them, and once in place they face a hole in the cover, making it possible to seal the box and prevent access to the inside, except model 322.



Conical cable glands

- The conical cable glands have diameters of 25 mm and 40 mm.
- They are supplied in the EP*** and EV*** versions and are always assembled in the box.
- The cones are manufactured with a flexible material in PVC that guarantees a suitable degree of protection in all cases.
- The design of the cones consists of rings placed at different heights. Each one of these rings corresponds to a pipe diameter for electrical installations, so that if they are cut to different heights the pipe can be inserted into the box through the conical cable gland, maintaining a perfect fit and guaranteeing watertightness.

Hinges

- Option to fit hinges between the cover and the base for all models of boxes and motor housings.
- The hinges come with markings showing the position of the screws for their attachment.

Ø of rings depending on cone model

| Cones | Size 1 | Size 2 | Size 3 | Size 4 | Size 5 |
|------------|--------|--------|--------|--------|--------------------|
| M25 | - | - | 20 mm | 16 mm | 20 mm ² |
| M40 | 32 mm | 25 mm | - | 16 mm | 20 mm ² |

LIGHT

IP65-IP67 junction boxes

Boxes with grey cover

| Ref. No. | Dimensions | Description | Cable entry No. conical glands | | Weight KG | Power dissipation according to temperature increase °C P(W)* | | | | |
|-------------------------------|-------------|---------------------------|-----------------------------------|------------|--------------|-----------------------------------------------------------------|-----------|-----------|-----------|-----------|
| | | | M25 | M40 | | 20 | 25 | 30 | 35 | 40 |
| HEIGHT X WIDTH X DEPTH | | | M25 | M40 | KG | 20 | 25 | 30 | 35 | 40 |
| EP048 | Ø84x50 | With conical cable glands | 4 | - | 0.1 | 1.6 | 2.0 | 2.4 | 2.9 | 3.3 |
| EP088 | 95x95x52 | With conical cable glands | 7 | - | 0.1 | 1.6 | 2.0 | 2.4 | 2.9 | 3.3 |
| EV111 | 119x119x67 | With conical cable glands | 7 | - | 0.2 | 2.7 | 3.4 | 4.0 | 4.7 | 5.4 |
| EV161 | 130x176x76 | With conical cable glands | 6 | 4 | 0.3 | 3.8 | 4.7 | 5.7 | 6.6 | 7.6 |
| EV171 | 165x189x99 | With conical cable glands | 6 | 4 | 0.4 | 6.0 | 7.5 | 9.0 | 10.5 | 12.1 |
| EV231 | 194x255x99 | With conical cable glands | 4 | 6 | 0.5 | 8.6 | 10.8 | 13.0 | 15.1 | 17.3 |
| EV322 | 253x342x132 | With conical cable glands | - | 12 | 0.9 | 15.7 | 19.6 | 23.6 | 27.5 | 31.4 |
| Knock-out entries | | | | | | | | | | |
| EX088 | 89x89x52 | Knock-out entries | 7 | - | 0.1 | 1.6 | 2.0 | 2.4 | 2.9 | 3.3 |
| EX111 | 112x112x67 | Knock-out entries | 7 | - | 0.1 | 2.7 | 3.4 | 4.0 | 4.7 | 5.4 |
| EX161 | 120x165x76 | Knock-out entries | 6 | 4 | 0.2 | 3.8 | 4.7 | 5.7 | 6.6 | 7.6 |
| EX171 | 154x178x99 | Knock-out entries | 6 | 4 | 0.3 | 6.0 | 7.5 | 9.0 | 10.5 | 12.1 |
| EX231 | 184x244x99 | Knock-out entries | 4 | 6 | 0.5 | 8.6 | 10.8 | 13.0 | 15.1 | 17.3 |
| EX322 | 243x333x132 | Knock-out entries | - | 12 | 1.0 | 15.7 | 19.6 | 23.6 | 27.5 | 31.4 |
| Plain sides | | | | | | | | | | |
| EL111 | 112x112x67 | Plain sides | - | - | 0.1 | 2.7 | 3.4 | 4.0 | 4.7 | 5.4 |
| EL161 | 120x165x76 | Plain sides | - | - | 0.2 | 3.8 | 4.7 | 5.7 | 6.6 | 7.6 |
| EL171 | 154x178x99 | Plain sides | - | - | 0.3 | 6.0 | 7.5 | 9.0 | 10.5 | 12.1 |
| EL231 | 184x244x99 | Plain sides | - | - | 0.5 | 8.6 | 10.8 | 13.0 | 15.1 | 17.3 |
| EL322 | 243x333x132 | Plain sides | - | - | 1.0 | 15.7 | 19.6 | 23.6 | 27.5 | 31.4 |

HALOGEN-FREE PLASTIC MATERIALS

Base and grey cover: PS RAL 7035 - Cones: PVC RAL 7035.

Surface boxes.

References EP048-EP088-EX088: IP54.

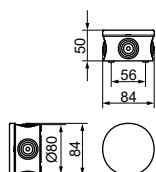
References EV: IP65.

References EX-EL: IP65-IP67.

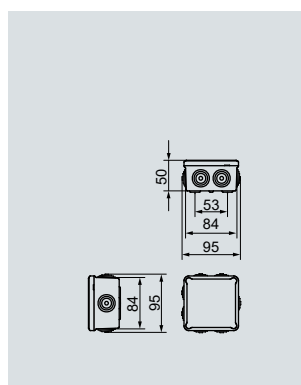
* Calculations obtained according to the CEI 890:1997 standard (including Corrigendum 1998). Method of temperature-rise assessment by extrapolation for partially type-tested assemblies (PTTA) of low-voltage switchgear and control gear.



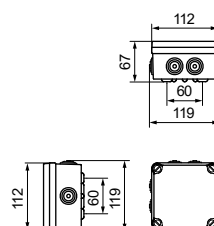
EP048



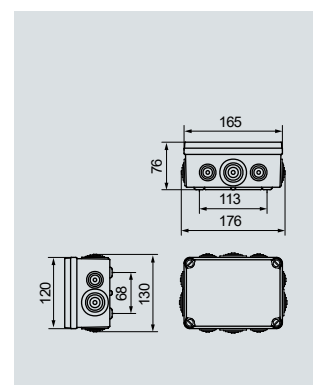
EP/EX088



EV/EX/EL111



EV/EX/EL161



Boxes with transparent cover

| Ref. No. | Dimensions | Description | Cable entry | | Weight | Power dissipation according to temperature increase °C P(W)* | | | | |
|---------------|-------------------------------|---------------------------|--------------------|------------|-----------|--------------------------------------------------------------|------|------|------|------|
| | | | No. conical glands | | | 20 | 25 | 30 | 35 | 40 |
| | HEIGHT X WIDTH X DEPTH | | M25 | M40 | KG | | | | | |
| EVT171 | 165x189x99 | With conical cable glands | 6 | 4 | 0.4 | 6.0 | 7.5 | 9.0 | 10.5 | 12.1 |
| EVT231 | 194x255x99 | With conical cable glands | 4 | 6 | 0.6 | 8.6 | 10.8 | 13.0 | 15.1 | 17.3 |
| EVT322 | 253x342x132 | With conical cable glands | - | 12 | 1.0 | 15.7 | 19.6 | 23.6 | 27.5 | 31.4 |
| EXT171 | 154x178x99 | Knock-out entries | 6 | 4 | 0.4 | 6.0 | 7.5 | 9.0 | 10.5 | 12.1 |
| EXT231 | 184x244x99 | Knock-out entries | 4 | 6 | 0.5 | 8.6 | 10.8 | 13.0 | 15.1 | 17.3 |
| EXT322 | 243x333x132 | Knock-out entries | - | 12 | 1.0 | 15.7 | 19.6 | 23.6 | 27.5 | 31.4 |
| ELT171 | 154x178x99 | Plain sides | - | - | 0.4 | 6.0 | 7.5 | 9.0 | 10.5 | 12.1 |
| ELT231 | 184x244x99 | Plain sides | - | - | 0.5 | 8.6 | 10.8 | 13.0 | 15.1 | 17.3 |
| ELT322 | 243x333x132 | Plain sides | - | - | 1.0 | 15.7 | 19.6 | 23.6 | 27.5 | 31.4 |

HALOGEN-FREE PLASTIC MATERIALS

Base: PS RAL 7035 - Transparent cover: PC, tinted, with UV protection - Cones: PVC RAL 7035.

Surface boxes.

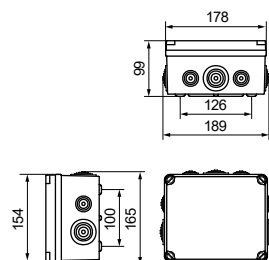
References EVT: IP65.

References EXT-ELT: IP65-IP67.

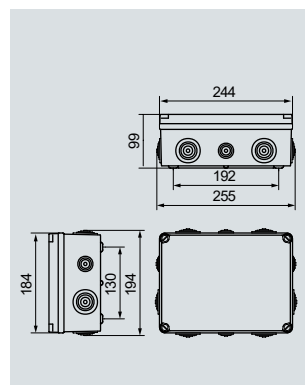
* Calculations obtained according to the CEI 890:1997 standard (including Corrigendum 1998). Method of temperature-rise assessment by extrapolation for partially type-tested assemblies (PTTA) of low-voltage switchgear and control gear.



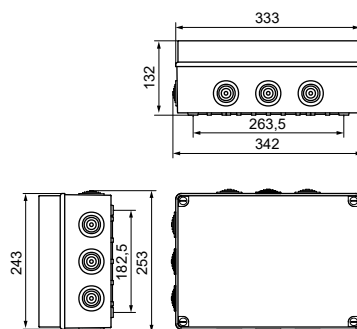
EV/EX/EL171
EVT/EXT/ELT/171



EV/EX/EL231
EVT/EXT/ELT231



EV/EX/EL322
EVT/EXT/ELT322



LIGHT

IP65-IP67 junction boxes

Motor-protection boxes with grey cover

| Ref. No. | Dimensions | Description | Cable entry No. conical glands | | Weight KG | Power dissipation according to temperature increase °C P(W)* | | | | | |
|---------------|-------------------------------|---------------------------|-----------------------------------|-----|--------------|-----------------------------------------------------------------|------|------|------|------|--|
| | | | M25 | M40 | | 20 | 25 | 30 | 35 | 40 | |
| | HEIGHT X WIDTH X DEPTH | | | | | | | | | | |
| GSV171 | 165x189x158 | With conical cable glands | 6 | 4 | 0.5 | 8.2 | 10.2 | 12.3 | 14.3 | 16.4 | |
| GSV231 | 194x255x179 | With conical cable glands | 4 | 6 | 0.7 | 12.4 | 15.4 | 18.5 | 21.6 | 24.7 | |
| GSV322 | 253x342x191 | With conical cable glands | - | 12 | 1.3 | 19.4 | 24.2 | 29.1 | 33.9 | 38.8 | |
| GSX171 | 154x178x158 | Knock-out entries | 6 | 4 | 0.4 | 8.2 | 10.2 | 12.3 | 14.3 | 16.4 | |
| GSX231 | 184x244x179 | Knock-out entries | 4 | 6 | 0.7 | 12.4 | 15.4 | 18.5 | 21.6 | 24.7 | |
| GSX322 | 243x333x191 | Knock-out entries | - | 12 | 1.3 | 19.4 | 24.2 | 29.1 | 33.9 | 38.8 | |
| GSL171 | 154x178x158 | Plain sides | - | - | 0.4 | 8.2 | 10.2 | 12.3 | 14.3 | 16.4 | |
| GSL231 | 184x244x179 | Plain sides | - | - | 0.7 | 12.4 | 15.4 | 18.5 | 21.6 | 24.7 | |
| GSL322 | 243x333x191 | Plain sides | - | - | 1.3 | 19.4 | 24.2 | 29.1 | 33.9 | 38.8 | |

HALOGEN-FREE PLASTIC MATERIALS

Base and cover: PS RAL 7035 - Cones: PVC RAL 7035.

Surface boxes - High cover.

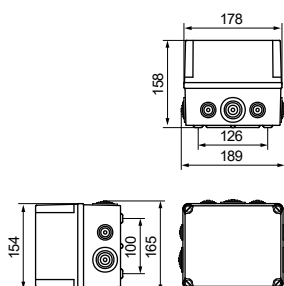
References GSV: IP65.

References GSX-GSL: IP65-IP67.

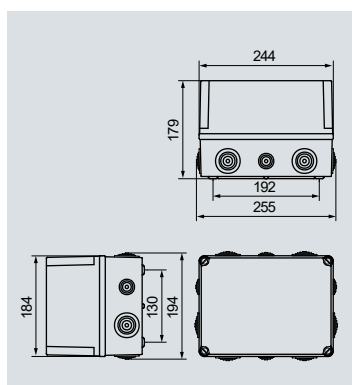
* Calculations obtained according to the CEI 890:1997 standard (including Corrigendum 1998). Method of temperature-rise assessment by extrapolation for partially type-tested assemblies (PTTA) of low-voltage switchgear and control gear.



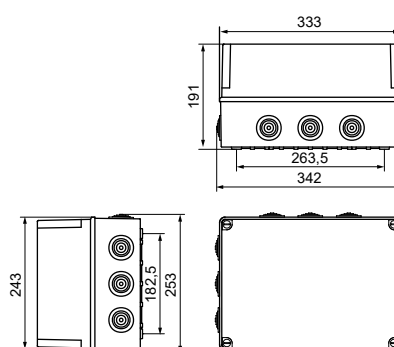
GSV/GSX/GSL171



GSV/GSX/GSL231



GSV/GSX/GSL322



Motor-protection boxes with transparent cover

| Ref. No. | Dimensions | Description | Cable entry No. conical glands | | Weight KG | Power dissipation according to temperature increase °C P(W)* | | | | |
|----------------|-------------------------------|---------------------------|-----------------------------------|-----|--------------|-----------------------------------------------------------------|------|------|------|------|
| | | | M25 | M40 | | 20 | 25 | 30 | 35 | 40 |
| | HEIGHT X WIDTH X DEPTH | | | | | | | | | |
| GSVT171 | 165x189x158 | With conical cable glands | 6 | 4 | 0.5 | 8.2 | 10.2 | 12.3 | 14.3 | 16.4 |
| GSVT231 | 194x255x179 | With conical cable glands | 4 | 6 | 0.8 | 12.4 | 15.4 | 18.5 | 21.6 | 24.7 |
| GSVT322 | 253x342x191 | With conical cable glands | - | 12 | 1.3 | 19.4 | 24.2 | 29.1 | 33.9 | 38.8 |
| GSXT171 | 154x178x158 | Knock-out entries | 6 | 4 | 0.5 | 8.2 | 10.2 | 12.3 | 14.3 | 16.4 |
| GSXT231 | 184x244x179 | Knock-out entries | 4 | 6 | 0.7 | 12.4 | 15.4 | 18.5 | 21.6 | 24.7 |
| GSXT322 | 243x333x191 | Knock-out entries | - | 12 | 1.4 | 19.4 | 24.2 | 29.1 | 33.9 | 38.8 |
| GSLT171 | 154x178x158 | Plain sides | - | - | 0.5 | 8.2 | 10.2 | 12.3 | 14.3 | 16.4 |
| GSLT231 | 184x244x179 | Plain sides | - | - | 0.7 | 12.4 | 15.4 | 18.5 | 21.6 | 24.7 |
| GSLT322 | 243x333x191 | Plain sides | - | - | 1.4 | 19.4 | 24.2 | 29.1 | 33.9 | 38.8 |

HALOGEN-FREE PLASTIC MATERIALS

Base: PS RAL 7035 - Cones: PVC RAL 7035.

Transparent cover: PC, tinted, with UV protection.

Surface boxes - High cover.

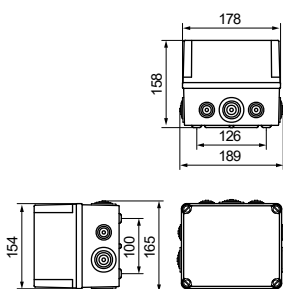
References GSVT: IP65.

References GSXT-GSLT: IP65-IP67.

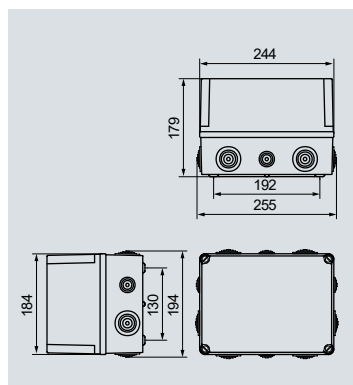
* Calculations obtained according to the CEI 890:1997 standard (including Corrigendum 1998). Method of temperature-rise assessment by extrapolation for partially type-tested assemblies (PTTA) of low-voltage switchgear and control gear.



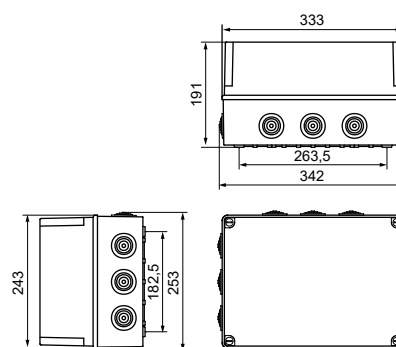
GSVT/GSXT/GSLT171



GSVT/GSXT/GSLT231



GSVT/GSXT/GSLT322



LIGHT

IP65-IP67 junction boxes

Special assemblies



Empty boxes.



Boxes with assembled and wired power sockets.

How to proceed



1. SELECT THE BOX.



2. CHOOSE THE POWER SOCKETS.



3. SUBMIT ALL THE INFORMATION TO OUR TECHNICAL DEPARTMENT.

You can request a quotation and technical assessment at export@ide.es

Special assemblies can be supplied in any combination, with no minimum order quantity

Proposal of sockets for Light boxes

SCHUKO-TYPE FLUSH-FIT SOCKETS



| REF. | Poles | I | IP |
|-------|-------|------|----|
| 00102 | 2P+E | 16 A | 44 |
| 00452 | 2P+E | 16 A | 54 |
| 00105 | 2P+E | 16 A | 67 |

IP44 FLUSH-FIT SOCKETS



| REF. | Poles | I | Voltage |
|-------|--------|------|-----------|
| 02301 | 2P+E | 16 A | 200/250 V |
| 03302 | 3P+E | 16 A | 380/415 V |
| 03303 | 3P+N+E | 16 A | 200/415 V |
| 02304 | 2P+E | 32 A | 200/250 V |
| 03305 | 3P+E | 32 A | 380/415 V |
| 03306 | 3P+N+E | 32 A | 200/415 V |

IP67 FLUSH-FIT SOCKETS



| REF. | Poles | I | Voltage |
|-------|--------|------|-----------|
| 02801 | 2P+E | 16 A | 200/250 V |
| 03802 | 3P+E | 16 A | 380/415 V |
| 03803 | 3P+N+E | 16 A | 200/415 V |
| 02804 | 2P+E | 32 A | 200/250 V |
| 03805 | 3P+E | 32 A | 380/415 V |
| 03806 | 3P+N+E | 32 A | 200/415 V |

See our full range of plugs and sockets on page 378

LIGHT Accessories

Mounting plates

| | Ref. No. |
|-----------------------------------------|--------------|
| Metal plate for boxes Ref. 171 | 92123 |
| Metal plate for boxes Ref. 231 | 92125 |
| Low metal plate for boxes Ref. 322 | 92127 |
| High metal plate for boxes Ref. 322 | 92129 |
| Polyester plate for boxes Ref. 111 | 92119 |
| Polyester plate for boxes Ref. 161 | 92121 |
| Polyester plate for boxes Ref. 171 | 92122 |
| Polyester plate for boxes Ref. 231 | 92124 |
| Low polyester plate for boxes Ref. 322 | 92126 |
| High polyester plate for boxes Ref. 322 | 92128 |

Conical glands

| | Ref. No. |
|--------------------------------|--------------|
| 25 diameter conical glands | 77952 |
| 25 HF* diameter conical glands | 77953 |
| 40 diameter conical glands | 77962 |
| 40 HF* diameter conical glands | 77963 |

* HF: Halogen-free conical glands.

Screws

| | Ref. No. |
|-----------------------------------------------|--------------|
| 3.9 x 9.5 screw for metal and polyester plate | 92609 |
| Hermetic caps | 77650 |
| Screws with arrow | 77712 |
| Screws without arrow | 77702 |
| Screws base cover for Ref. GS322 and EV-EL-EX | 77720 |

Rails

| | Ref. No. |
|-------------------------------|--------------|
| Rail 87,5 mm for 111 boxes | 98460 |
| Rail 137 mm for 161-171 boxes | 92713 |
| Rail 159 mm for 231 boxes | 92721 |
| Rail 207 mm for 231-322 boxes | 92722 |
| Rail 271 mm for 322 boxes | 92714 |

Fitting high plates



- Metal and polyester high plates for boxes and motor housings (type 322).
- The high plates allow for a space of 14 mm between the plate and the base.
- To be installed it is necessary to request the 3.9x9.5 screws. Ref. 92609.

Fitting low plates



- Metal and polyester low plates for boxes and motor housings (type 322).
- Low plates help take full advantage of the depth of the box.
- To be installed it is necessary to request the 3.9x9.5 screws. Ref. 92609.

Hinges



Reference No. Description

22050 Hinge (2-pieces bag)

MATERIAL: Polyamide 6.

CHARACTERISTICS: Presents marking grooves to facilitate screw placement. When placing the hinge it is necessary to cut the screw with arrow. Degree of protection IP65.

SUPPLY: 2-units bag.

Wall-support



Reference No. Description

22060 Wall-support (4-pieces bag)

MATERIAL: Polystyrene.

CHARACTERISTICS: Allows the box to be fixed to the wall from the outside. Includes the necessary screws for installation.

SUPPLY: 4-units bag.





Plastic boxes and metal cabinets for
tertiary and residential sectors

TERTIARY ENCLOSURES

Tertiary sector:
SMALL DISTRIBUTION BOXES
GOLD
SILVER
ATLANTIC
ATLANTIC PLUS

Residential sector:
DIAMANT
DOMOS-K
DOMOS
VERDI
AMERICAN

SMALL DISTRIBUTION BOXES



Small distribution boxes

Surface and flush-mounted distribution boxes, with a modular capacity of 2, 4 and 8 modules, to meet the needs of small installations where a large capacity is not required, or as a solution to protect larger panels.

Manufactured with halogen-free plastic materials, they are especially intended for the tertiary and residential sector.



IP
20IP
40IP
65

CE



Technical Specifications

- **Degree of protection:**
BT2-BT4: IP20.
BM-BV: IP40.
CDN4G: IP65.
- **Resistance to impact:** IK08.
- **Glow wire resistance:** 650 °C.
- **Ambient temperature range:** -25 °C / +40 °C.
- **Maximum operating voltage:** 1000 V AC/1500 V DC.
- **Double insulation:** Class II.

Certificacions



Compliant with the Low Voltage Directive 2014/35/EU.
Standards: UNE-EN 62208 and UNE-EN 61439-1
(as applicable).

Perfect for small installations where a large capacity is not required

SMALL DISTRIBUTION BOXES

Distribution boxes

IP65 Distribution box. Surface

| Reference | No. of modules | Dimensions | Weight | Power dissipation according to temperature increase °C P(W)* | | | | |
|----------------|----------------|--------------------|--------|--------------------------------------------------------------|-----|-----|-----|------|
| | | | | 20 | 25 | 30 | 35 | 40 |
| | | HEIGHTXWIDTHXDEPTH | KG | | | | | |
| CDN4G | 1x4 DIN rail | 177x102x105 | 0.3 | 5.0 | 6.2 | 7.5 | 8.7 | 10.0 |
| CDN4G/R | 1x4 DIN rail | 177x102x105 | 0.5 | 5.0 | 6.2 | 7.5 | 8.7 | 10.0 |

/R: With busbar PE or neutral.

IP20 Terminal boxes. Surface

| Reference | No. of modules | Dimensions | Weight | Power dissipation according to temperature increase °C P(W)* | | | | |
|------------|----------------|--------------------|--------|--------------------------------------------------------------|-----|-----|-----|-----|
| | | | | 20 | 25 | 30 | 35 | 40 |
| | | HEIGHTXWIDTHXDEPTH | KG | | | | | |
| BT2 | 1x2 DIN rail | 130x50x64 | 0.1 | 2.0 | 2.5 | 3.0 | 3.5 | 4.0 |
| BT4 | 1x4 DIN rail | 130x85x64 | 0.1 | 2.7 | 3.3 | 4.0 | 4.7 | 5.3 |

HALOGEN-FREE PLASTIC MATERIALS

CDN4G: Frame and base in ABS RAL 7035 grey. Transparent PC tinted window, with UV protection.

BT2 - BT4: Frame and base in white PS RAL 9003.

* Calculations obtained according to the CEI 890:1997 standard (including Corrigendum 1998). Method of temperature-rise assessment by extrapolation for partially type-tested assemblies (PTTA) of low-voltage switchgear and control gear



**1x4 modules
CDN4G**

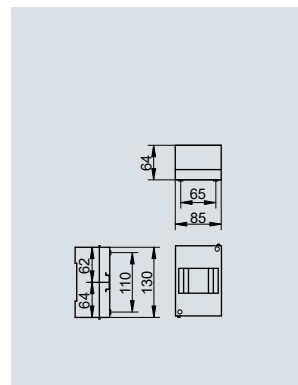
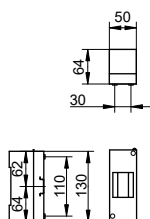
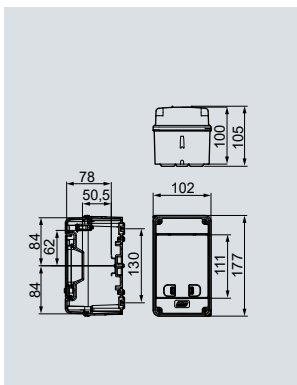


**1x2 modules
BT2**



**1x4 modules
BT4**

TOP: 1xM25



IP
20IP
40IP
65

CE

IP40 Distribution boxes. Surface

| Reference | | No. of modules | Dimensions | Weight | Power dissipation according to temperature increase °C P[W]* | | | | |
|-----------------|-----------------|----------------|------------|--------|--------------------------------------------------------------|------|------|------|------|
| WHITE DOOR | TRANSP. DOOR | | | | HEIGHTXWIDTHXDEPTH | KG | 20 | 25 | 30 |
| BV4PO | BV4PT | 1x4 DIN rail | 228x120x99 | 0.4 | 6.7 | 8.4 | 10.0 | 11.7 | 13.4 |
| BV8PO | BV8PT | 1x8 DIN rail | 228x191x99 | 0.6 | 9.0 | 11.2 | 13.4 | 15.7 | 17.9 |
| BV4PO/RR | BV4PT/RR | 1x4 DIN rail | 228x120x99 | 0.5 | 6.7 | 8.4 | 10.0 | 11.7 | 13.4 |
| BV8PO/RR | BV8PT/RR | 1x8 DIN rail | 228x191x99 | 0.7 | 9.0 | 11.2 | 13.4 | 15.7 | 17.9 |

/RR: With neutral and earth bars.

IP40 Distribution boxes. Flush-fit

| Reference | | No. of modules | External dimensions | Dimensions of the flush-fit gap | Weight | Power dissipation according to temperature increase °C P[W]* | | | | |
|-----------------|-----------------|----------------|---------------------|---------------------------------|--------|--------------------------------------------------------------|-----|-----|------|------|
| WHITE DOOR | TRANSP. DOOR | | | | | HEIGHTXWIDTHXDEPTH | KG | 20 | 25 | 30 |
| BM4PO | BM4PT | 1x4 DIN rail | 228x120x97 | 228x120x65 | 0.4 | 4.1 | 5.1 | 6.2 | 7.2 | 8.2 |
| BM8PO | BM8PT | 1x8 DIN rail | 248x210x97 | 228x190x65 | 0.6 | 5.9 | 7.4 | 8.8 | 10.3 | 11.8 |
| BM4PO/RR | BM4PT/RR | 1x4 DIN rail | 228x120x97 | 228x120x65 | 0.5 | 4.1 | 5.1 | 6.2 | 7.2 | 8.2 |
| BM8PO/RR | BM8PT/RR | 1x8 DIN rail | 248x210x97 | 228x190x65 | 0.7 | 5.9 | 7.4 | 8.8 | 10.3 | 11.8 |

HALOGEN-FREE PLASTIC MATERIALS

Frame and white door in PS RAL 9003.

Transparent door in tinted PC.

Base of the surface boxes in PS RAL 9003.

Base of the flush-fit boxes in PS RAL 7035.

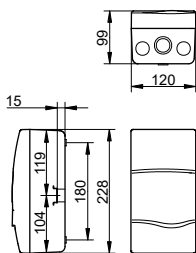
/RR: With neutral and earth bars.

* Calculations obtained according to the CEI 890:1997 standard (including Corrigendum 1998). Method of temperature-rise assessment by extrapolation for partially type-tested assemblies (PTTA) of low-voltage switchgear and control gear.



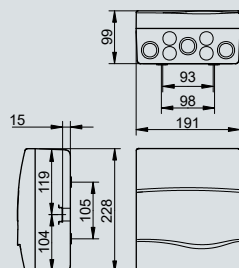
1x4 modules BV4PO

TOP: 3xM25/32
BOTTOM: 3xM25/32
LEFT: 1xM25/32
RIGHT: 1xM25/32



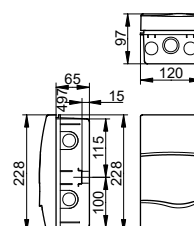
1x8 modules BV8PO

TOP: 4xM25-3xM25/32
BOTTOM: 4xM25-3xM25/32
LEFT: 1xM25/32
RIGHT: 1xM25/32



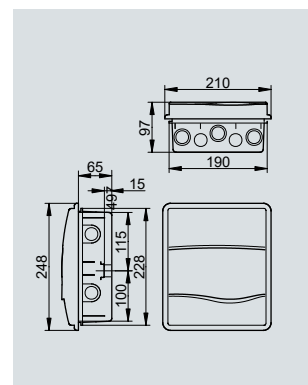
1x4 modules BM4PO

TOP: 2xM25-1xM25/32
BOTTOM: 2xM25-1xM25/32
LEFT: 2xM25
RIGHT: 2xM25



1x8 modules BM8PO

TOP: 2xM25-3xM25/32
BOTTOM: 2xM25-3xM25/32
LEFT: 2xM25
RIGHT: 2xM25



GOLD



IP40 distribution boxes

The IP40 distribution boxes from the Gold series are specially designed to be installed in establishments in the tertiary and residential sectors. They have been designed strictly in line with technical and quality standards to offer the installer maximum versatility and ease of assembly and installation.

Available for flush or surface mounting, they have a capacity for 12 to 36 modules. The flush-mounted version can be installed in prefabricated walls (plasterboard, wood, chipboard, etc.) and in brick walls.

An attractive design that adapts perfectly to any type of environment, blending perfectly with the decor in establishments, offices, shops, hotels, detached residences, etc.



GOLD Technical details

- **Protection rating:** IP40.
- **Resistance to impact:** IK08.
- **Glow wire resistance:**
 - 850 °C in flush-mounted bases for hollow walls.
 - 650 °C for brick walls.
- **Ambient temperature range:** -25 °C / +40 °C.
- **Maximum operating voltage:** 1000 V AC / 1500 V DC.
- **Double insulation:** Class II.

GOLD Certifications



Compliant with the low voltage directive 2014/35/EU.
Standards: UNE-EN 62208 and UNE-EN 60439-1 (as applicable).

Surface and flush-fit distribution boxes, both in brick walls and in hollow walls

GOLD

IP40 Surface distribution boxes



Product range. Surface

- Surface-mounted boxes with 12, 18, 24 and 36 modules of capacity.
- Available with white or transparent door.

Materials

- Halogen-free plastic materials.
- Base, frame and door in ABS, white RAL 9003.
- Transparent door in tinted grey PC with UV protection.

Supply

Supplied in individual packaging. When several items are sent together, they are bundled together with transparent film. Supplied with all the elements assembled, except for the elements supplied in the accessory bag.

Standard accessory bag for surface-mounted boxes:

- Screws for frame-base closure.
- Door hinges.
- Cover for white modules (6 modules).
- Module identification strips.
- Instructions for assembly.

Avantgarde exclusive design compliant with the maximum technical and quality standards for installation in detached residences, shops and offices



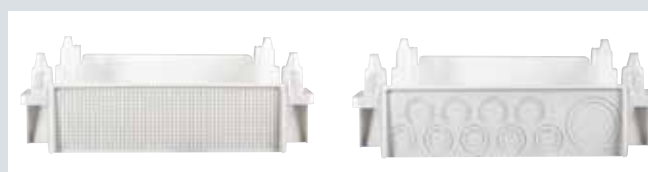
Frame



- The functional design of the casings of the surface boxes guarantees a quick and precise assembly.
- The side walls have grooves for sliding and fitting the frame on the base of the casing, in addition to pre-marked round and square holes for the easy insertion of cables.
- The front has a space for attaching a module identification label, and four covered module spaces, with pre-marked covers, for the easy assembly of different configurations of circuit breakers.

Base and cable entry

- Manufactured in ABS RAL 9003 white.
- The upper side has horizontal and vertical marks every 4 mm which enable the installer to cut the cable entry holes as required.
- The lower side has cut-outs for inserting the M16, M20, M25 and M50 holes.
- The recesses on the ends of the sides allow cables of up to 27 mm in diameter to be passed through.
- The 24 and 36 module casings, in the central part, guarantee the entrance of tubes up to 60x30 mm.
- The cut-outs in the bottom of the base provide access to M24, M32 and M40 tubes, and the double grooves permit the insertion of self-tapping screws with a diameter of 3.6 mm for increased versatility when configuring the interior of the casing.
- All the bases are reversible, such that the installer can select the direction of the cable inputs according to installation requirements.



UPPER

LOWER



Frame-base closure

- The joint between the frame and the base is closed using captive screws, the screw always stays in the housing, and does not fall out during handling and installation.
- These screws are covered with caps to offer a highly attractive look. The caps have a tab for easy extraction if it is necessary to remove the front once the casing has been installed.



GOLD

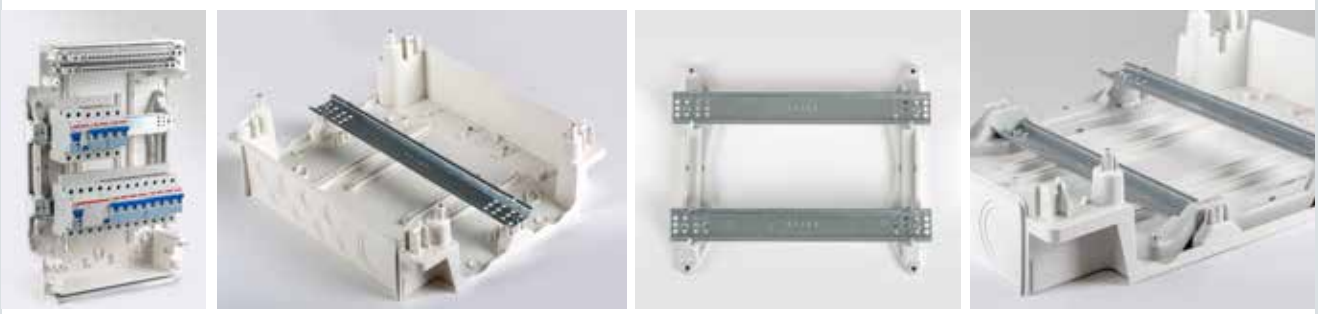
IP40 Surface distribution boxes

Wall mounting

- There are two options for mounting the casings on the wall:
 - Through the four cut-outs, located at the bottom of the base, permitting the position to be adjusted, and securely fastening the casing to the wall.
 - Through a central triangular cut-out, such that the casing is suspended at only one point.
- For a perfect installation, an interior housing for inserting a level supplied as an accessory is located in the base.



Attachment of DIN rail and frames



- The casings with two or more rows (24 and 36 modules) are supplied with a removable frame and with the rails mounted.
- In casings with one row (12 and 18 modules), the rail is directly fastened to the base of the casing and is supplied already mounted.
- For the 24 and 36 module casings, there are two options for attaching the rail, directly over the base of the casing or using a removable frame.
- The removable frame allows the complete assembly to be conveniently put together at the work bench and subsequently transported to the casing for the final assembly.
- The geometry of the bases allows the frame to be attached easily and precisely without the need for additional markers. The frame is attached to the casing with four screws located at the ends.
- The rails fastened to the base and the rails fastened to the frame can be positioned at two different heights, permitting the use of different sizes of circuit breaker.
- The space available for the cables to pass through when the rail is in the lower position is 10 mm, and in the upper position it is 30 mm.
- The distance between rails is 125 mm.

Doors and closures

- Available with white or transparent door. White doors manufactured in ABS RAL 9003, and transparent doors in tinted grey PC with UV protection.
- All the doors are reversible, opening 180°.
- They are quick and easy to mount, thanks to the innovative design of the hinge. Can be assembled without tools with a simple vertical rotation.
- Closing of doors using a clip system. The longitudinal and transversal ribs along the surface of the doors provide rigidity, resulting in the perfect opening and closing of the doors.
- Option to mount lock and key, supplied as accessory.



Attachment of neutral and earth bars

- The RR (screw-mounted bars) and the RA (push-in bars) references are supplied with the neutral and earth bars already mounted.
- The bar-holder support is attached by a clip system for quick and safe installation.
- Different types of bars, with screw or push-in mounting, can be mounted on the support.
- The bars can be mounted on either the upper or lower section of the casing. In addition, in the 24 and 36 module boxes, installation is possible at two heights (upper and lower).
- The bar terminal identifiers are directly engraved onto the support. Therefore labels are not required for the identification.



Accessories

- **Lock and key:** option to install lock and key. The doors have a pre-marked housing to facilitate the installation.
- **Level:** the bases have a housing for the insertion of a level. This level is supplied as an accessory and ensures the perfect vertical assembly of the casing.



GOLD

IP40 Surface distribution boxes

IP40 distribution boxes. Surface

| Reference | | No. of modules | Dimensions | Weight | Power dissipation by temperature increases °C P(W)* | | | | |
|----------------|----------------|--------------------|------------------------|--------|-----------------------------------------------------|------|------|------|------|
| WHITE DOOR | TRANSP. DOOR | | HEIGHT X WIDTH X DEPTH | KG | 20 | 25 | 30 | 35 | 40 |
| GPS12PO | GPS12PT | 1x12 DIN rail | 254x285x118 | 1.19 | 14.2 | 17.7 | 21.2 | 24.8 | 28.3 |
| GPS18PO | GPS18PT | 1x18 DIN rail | 254x393x118 | 1.50 | 18.1 | 22.6 | 27.1 | 31.7 | 36.2 |
| GPS24PO | GPS24PT | 2x12 (24) DIN rail | 419x285x118 | 1.96 | 21.2 | 26.5 | 31.8 | 37.1 | 42.4 |
| GPS36PO | GPS36PT | 3x12 (36) DIN rail | 544x285x118 | 2.46 | 26.6 | 33.2 | 39.8 | 46.5 | 53.1 |

HALOGEN-FREE PLASTIC MATERIALS

Base, frame and door in ABS, white RAL 9003.

Transparent door in tinted PC.

PO: White door. PT: Transparent door.

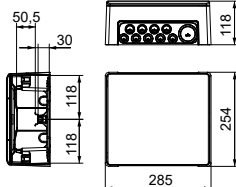
IP40 - Surface.

* Calculations obtained in accordance with the CEI 890:1997 standard (including 1998 corrigendum). Method of temperature-rise assessment by extrapolation for partially type-tested assemblies (PTTA) of low-voltage switchgear and control gear.



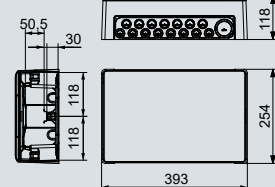
1x12 modules GPS12PO - GPS12PT

UPPER: 4x4
LOWER: 1xM50/M40 - 4xM25/M20 - 5xM25/M16
REAR: 2xM40/M32 - 4xM25
LEFT and RIGHT: 2xØ27



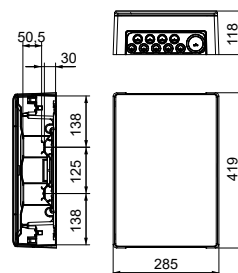
1x18 modules GPS18PO - GPS18PT

UPPER: 4x4
LOWER: 1xM50/M40 - 7xM25/M20 - 8xM25/M16
REAR: 2xM40/M32 - 4xM25
LEFT and RIGHT: 2xØ27



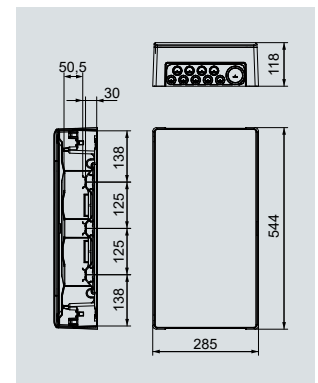
2x12 (24) modules GPS24PO - GPS24PT

UPPER: 4x4
LOWER: 1xM50/M40 - 4xM25/M20 - 5xM25/M16
REAR: 2xM40/M32 - 4xM25
LEFT and RIGHT: 2xØ27 - 1x(60x32)



3x12 (36) modules GPS36PO - GPS36PT

UPPER: 4x4
LOWER: 1xM50/M40 - 4xM25/M20 - 5xM25/M16
REAR: 2xM40/M32 - 4xM25
LEFT and RIGHT: 2xØ27 - 2x(60x32)



IP40 distribution boxes. **Surface.** With neutral and earth bars

| Reference | | No. of modules | Dimensions | Weight | Power dissipation by temperature increases °C P(W)* | | | | |
|-------------------|-------------------|--------------------|---------------------------|--------|--------------------------------------------------------|------|------|------|------|
| WHITE DOOR | TRANSP. DOOR | | HEIGHT X WIDTH X DEPTH | KG | 20 | 25 | 30 | 35 | 40 |
| GPS12PO/RR | GPS12PT/RR | 1x12 DIN rail | 254x285x118 | 1.35 | 14.2 | 17.7 | 21.2 | 24.8 | 28.3 |
| GPS18PO/RR | GPS18PT/RR | 1x18 DIN rail | 254x393x118 | 1.72 | 18.1 | 22.6 | 27.1 | 31.7 | 36.2 |
| GPS24PO/RR | GPS24PT/RR | 2x12 (24) DIN rail | 419x285x118 | 2.21 | 21.2 | 26.5 | 31.8 | 37.1 | 42.4 |
| GPS36PO/RR | GPS36PT/RR | 3x12 (36) DIN rail | 544x285x118 | 2.77 | 26.6 | 33.2 | 39.8 | 46.5 | 53.1 |

IP40 distribution boxes. **Surface.** With push-in neutral and earth bars

| Reference | | No. of modules | Dimensions | Weight | Power dissipation by temperature increases °C P(W)* | | | | |
|-------------------|-------------------|--------------------|---------------------------|--------|--------------------------------------------------------|------|------|------|------|
| WHITE DOOR | TRANSP. DOOR | | HEIGHT X WIDTH X DEPTH | KG | 20 | 25 | 30 | 35 | 40 |
| GPS12PO/RA | GPS12PT/RA | 1x12 DIN rail | 254x285x118 | 1.30 | 14.2 | 17.7 | 21.2 | 24.8 | 28.3 |
| GPS18PO/RA | GPS18PT/RA | 1x18 DIN rail | 254x393x118 | 1.62 | 18.1 | 22.6 | 27.1 | 31.7 | 36.2 |
| GPS24PO/RA | GPS24PT/RA | 2x12 (24) DIN rail | 419x285x118 | 2.14 | 21.2 | 26.5 | 31.8 | 37.1 | 42.4 |
| GPS36PO/RA | GPS36PT/RA | 3x12 (36) DIN rail | 544x285x118 | 2.68 | 26.6 | 33.2 | 39.8 | 46.5 | 53.1 |

HALOGEN-FREE PLASTIC MATERIALS

Base, frame and door in ABS, white RAL 9003.

Transparent door in tinted PC.

/RR: With screw-mounted neutral and earth bars.

/RA: With push-in neutral and earth bars.

PO: White door. PT: Transparent door.

IP40 - Surface.

* Calculations obtained in accordance with standard CEI 890:1997 (including 1998 corrigendum). Method of temperature-rise assessment by extrapolation for partially type-tested assemblies (PTTA) of low-voltage switchgear and control gear.

GOLD

IP40 Flush-mounted distribution boxes



Product range. Flush-mounted

- Modular capacity of 12, 18, 24 and 36 modules.
- Flush-mounted boxes:
 - Brick walls: boxes GPE.
 - Hollow walls: boxes GPE/PH.
- Available with white or transparent door.

Materials

- Halogen-free plastic materials.
- Flush-mounted bases:
 - Brick walls: Grey PS RAL 7035.
 - Hollow walls: Grey PS V0 RAL 7035.
- Frame and door: White ABS RAL 9003.
- Transparent door: Tinted grey PC with UV protection.

Supply

Supplied in individual packaging. When several items are sent together, they are bundled together with transparent film. Supplied with all the elements assembled, except for the elements supplied in the accessory bag.

Accessories bag:

- Screws for frame-base closure.
- Hollow wall assembly kit (Only in GPE/PH type boxes).
- Door hinges.
- Cover for white modules (6 modules).
- Module identification strips.
- Instructions for assembly.

Intended for the tertiary and residential sector, apartments, hotels and offices, requiring an exclusive and avantgarde design



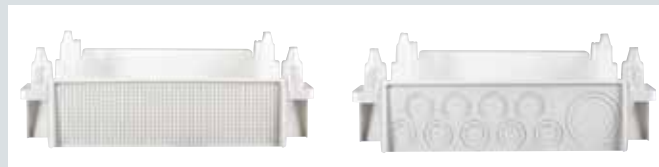
Frame



- The functional design of the casings of the flush-mounted boxes guarantees a quick and precise assembly.
- The joint between the frame and base is closed using four self-tapping screws.
- The front has a space for attaching a module identification label, and four covered module spaces, with pre-marked covers, for the easy assembly of different configurations of circuit breakers.

Base and cable entry

- Manufactured in ABS RAL 9003 white.
- The upper side has horizontal and vertical marks every 4 mm which enable the installer to cut the cable entry holes as required. In the upper section, the row of T-shaped fastenings allows the cables to be fastened to the casing using cable ties.
- The lower side has cut-outs for inserting the M16, M20, M25 and M50 holes.
- The pre-marked points on the sides facilitate the making of holes, of up to 32 mm in diameter, using a holesaw.
- The cut-outs in the bottom of the base provide access to M24, M32 and M40 tubes, and the double grooves permit the insertion of self-tapping screws with a diameter of 3.6 mm for increased versatility when configuring the interior of the casing.



UPPER

LOWER

- There are four bolting points at the rear of the base for the installation of metal plates to protect the casing after it has been mounted on the wall.
- All the bases are reversible, such that the installer can select the direction of the cable inputs according to installation requirements.



Frame-base closure

- The joint between the frame and the base is closed using captive screws, the screw always stays in the housing, and does not fall out during handling and installation.
- These screws are covered with caps to offer a highly attractive look. The caps have a tab for easy extraction if it is necessary to remove the front once the casing has been installed.



GOLD

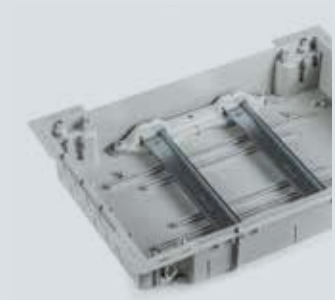
IP40 Flush-mounted distribution boxes

Wall mounting



- For the flush-mounting in brick walls, the base has a perimeter wing to facilitate assembly and ensure the correct position on the wall.
- For the flush-mounting in plasterboard hollow walls, the base has wings on the corners which, together with the assembly kit, make it possible to mount it on a hollow wall.
- The assembly kit contains metal screws with a diameter of 3.5 mm, and a plastic elevation piece, supplied already mounted on the casing. This system is used for wall thicknesses between 7 and 34 mm.
- For a perfect flush mounting, the bases have an interior and an exterior housing for the insertion of a level, supplied as an accessory.

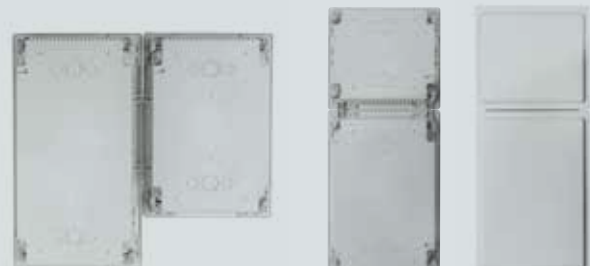
Attachment of DIN rail and frames



- The casings with two or more rows (24 and 36 modules) are supplied with a removable frame and with the rails mounted.
- In casings with one row (12 and 18 modules), the rail is directly fastened to the base of the casing and is supplied already mounted.
- For the 24 and 36 module casings, there are two options for attaching the rail, directly over the base of the casing or using a removable frame.
- The removable frame allows the complete assembly to be conveniently put together at the work bench and subsequently transported to the casing for the final assembly.
- The geometry of the bases allows the frame to be attached easily and precisely without the need for additional markers. The frame is attached to the casing with four screws located at the ends.
- For flush-mounted bases, the rails can only be mounted in the lower position of the frame.
- The space available for the cables to pass through is 10 mm and the distance between rails is 125 mm.

Connection of casings

- Possible to connect horizontally or vertically.
- For the vertical connection, the casings with 12, 24 and 36 modules can be linked together in any combination, while the 18-module casings can only be linked together vertically among themselves.
- The linking piece, supplied as an accessory, is pressure-fitted onto the casing, without the need to use tools during the assembly.
- The distance between casings once they have been connected and mounted is 1.8 mm.



Doors and closures

- Availability of white and transparent doors. White doors manufactured in ABS RAL 9003, and transparent doors in tinted grey PC with UV protection.
- All the doors are reversible, opening 180°.
- They are quick and easy to mount, thanks to the innovative design of the hinge. Can be assembled without tools with a simple vertical rotation.
- Closing of doors using a clip system. The longitudinal and transversal ribs along the surface of the doors provide rigidity, resulting in the perfect opening and closing of the doors.
- Option to mount lock and key, supplied as accessory.



Attachment of neutral and earth bars

- All the /RR (screw-mounted bars) and /RA (push-in bars) references are supplied with the neutral and earth bars already mounted.
- The bar-holder support is attached by a clip system for quick and safe installation.
- Different types of bars, with screw or push-in mounting, can be mounted on the support.
- The bars can be mounted on either the upper or lower section of the casing. In addition, in the 24 and 36 module boxes, installation is possible at two heights (upper and lower).
- The bar terminal identifiers are directly engraved onto the support. Therefore labels are not required for the identification.



Accessories

- **Lock and key:** option to install lock and key. The doors have a pre-marked housing to facilitate the installation.
- **Level:** the bases have an interior and an exterior housing for the insertion of a level. This level is supplied as an accessory and ensures the perfect vertical assembly of the casing.
- **Linking piece:** the flush-mounted casings can be connected vertically or horizontally using the linking piece supplied as an accessory.



GOLD

IP40 Flush-mounted distribution boxes

IP40 distribution boxes. Flush-mounting in brick walls

| Reference | | No. of modules | External dimensions | Dimensions of the flush-fit gap | KG | Power dissipation by temperature increases °C P[W]* | | | | |
|----------------|----------------|------------------------|---------------------|---------------------------------|-----|-----------------------------------------------------|------|------|------|------|
| WHITE DOOR | TRANSP. DOOR | | | | | 20 | 25 | 30 | 35 | 40 |
| | | HEIGHT X WIDTH X DEPTH | | | | | | | | |
| GPE12PO | GPE12PT | 1x12 DIN rail | 284x316x97 | 256x288x74 | 1.2 | 12.2 | 15.3 | 18.4 | 21.4 | 24.5 |
| GPE18PO | GPE18PT | 1x18 DIN rail | 284x424x97 | 256x396x74 | 1.5 | 15.8 | 19.7 | 23.7 | 27.6 | 31.5 |
| GPE24PO | GPE24PT | 2x12 (24) DIN rail | 449x316x97 | 421x288x74 | 1.9 | 18.5 | 23.1 | 27.7 | 32.3 | 37.0 |
| GPE36PO | GPE36PT | 3x12 (36) DIN rail | 574x316x97 | 546x288x74 | 2.5 | 23.2 | 29.0 | 34.8 | 40.6 | 46.4 |

HALOGEN-FREE PLASTIC MATERIALS

Frame and door in ABS, white RAL 9003.

Transparent door in tinted PC.

Base in PS, grey RAL 7035.

Glow wire resistance: 650 °C.

PO: White door. PT: Transparent door.

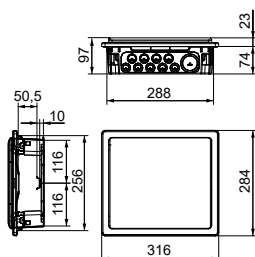
IP40 - Flush-mounting in brick walls.

* Calculations obtained in accordance with the CEI 890:1997 standard (including 1998 corrigendum). Method of temperature-rise assessment by extrapolation for partially type-tested assemblies (PTTA) of low-voltage switchgear and control gear.



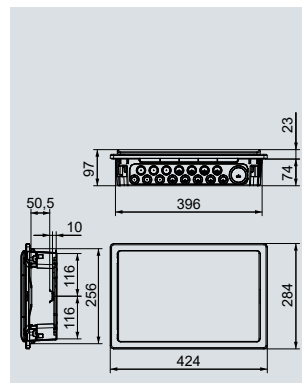
1x12 modules GPE12PO - GPE12PT

UPPER: 4x4
LOWER: 1xM50/M40 - 4xM25/M20 - 5xM25/M16
REAR: 2xM40/M32 - 4xM25
LEFT and RIGHT: 2xØ32



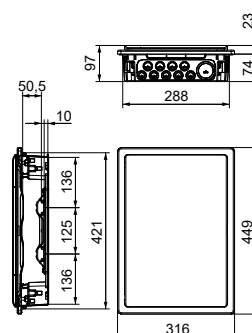
1x18 modules GPE18PO - GPE18PT

UPPER: 4x4
LOWER: 1xM50/M40 - 7xM25/M20 - 8xM25/M16
REAR: 2xM40/M32 - 4xM25
LEFT and RIGHT: 2xØ32



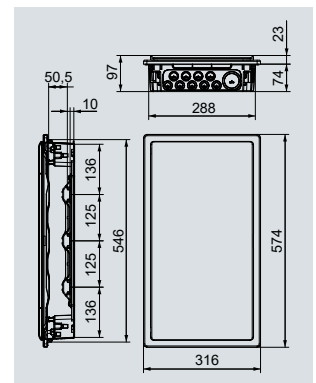
2x12 (24) modules GPE24PO - GPE24PT

UPPER: 4x4
LOWER: 1xM50/M40 - 4xM25/M20 - 5xM25/M16
REAR: 2xM40/M32 - 4xM25
LEFT and RIGHT: 3xØ32



3x12 (36) modules GPE36PO - GPE36PT

UPPER: 4x4
LOWER: 1xM50/M40 - 4xM25/M20 - 5xM25/M16
REAR: 2xM40/M32 - 4xM25
LEFT and RIGHT: 4xØ32



IP40 distribution boxes. Flush-mounting in brick walls With neutral and earth bars

| Reference | | No. of modules | External dimensions | Dimensions of the flush-fit gap | Weight | Power dissipation by temperature increases °C P(W)* | | | | |
|-------------------|-------------------|--------------------|---------------------|---------------------------------|--------|-----------------------------------------------------|------|------|------|------|
| WHITE DOOR | TRANSP. DOOR | | | | | HEIGHT X WIDTH X DEPTH | KG | 20 | 25 | 30 |
| GPE12PO/RR | GPE12PT/RR | 1x12 DIN rail | 284x316x97 | 256x288x74 | 1.4 | 12.2 | 15.3 | 18.4 | 21.4 | 24.5 |
| GPE18PO/RR | GPE18PT/RR | 1x18 DIN rail | 284x424x97 | 256x396x74 | 1.7 | 15.8 | 19.7 | 23.7 | 27.6 | 31.5 |
| GPE24PO/RR | GPE24PT/RR | 2x12 (24) DIN rail | 449x316x97 | 421x288x74 | 2.2 | 18.5 | 23.1 | 27.7 | 32.3 | 37.0 |
| GPE36PO/RR | GPE36PT/RR | 3x12 (36) DIN rail | 574x316x97 | 546x288x74 | 2.8 | 23.2 | 29.0 | 34.8 | 40.6 | 46.4 |

IP40 distribution boxes. Flush-mounting in brick walls With push-in neutral and earth bars

| Reference | | No. of modules | External dimensions | Dimensions of the flush-fit gap | Weight | Power dissipation by temperature increases °C P(W)* | | | | |
|-------------------|-------------------|--------------------|---------------------|---------------------------------|--------|-----------------------------------------------------|------|------|------|------|
| WHITE DOOR | TRANSP. DOOR | | | | | HEIGHT X WIDTH X DEPTH | KG | 20 | 25 | 30 |
| GPE12PO/RA | GPE12PT/RA | 1x12 DIN rail | 284x316x97 | 256x288x74 | 1.3 | 12.2 | 15.3 | 18.4 | 21.4 | 24.5 |
| GPE18PO/RA | GPE18PT/RA | 1x18 DIN rail | 284x424x97 | 256x396x74 | 1.6 | 15.8 | 19.7 | 23.7 | 27.6 | 31.5 |
| GPE24PO/RA | GPE24PT/RA | 2x12 (24) DIN rail | 449x316x97 | 421x288x74 | 2.1 | 18.5 | 23.1 | 27.7 | 32.3 | 37.0 |
| GPE36PO/RA | GPE36PT/RA | 3x12 (36) DIN rail | 574x316x97 | 546x288x74 | 2.7 | 23.2 | 29.0 | 34.8 | 40.6 | 46.4 |

HALOGEN-FREE PLASTIC MATERIALS

Frame and door in ABS, white RAL 9003.

Transparent door in tinted PC.

Base in PS, grey RAL 7035.

Glow wire resistance: 650 °C.

/RR: With screw-mounted neutral and earth bars.

/RA: With push-in neutral and earth bars

PO: White door. PT: Transparent door.

IP40 - Flush-mounting in brick walls.

* Calculations obtained in accordance with standard CEI 890:1997 (including 1998 corrigendum). Method of temperature-rise assessment by extrapolation for partially type-tested assemblies (PTTA) of low-voltage switchgear and control gear.

GOLD

IP40 Flush-mounted distribution boxes

IP40 distribution boxes. Flush-mounted in hollow walls

| Reference | | No. of modules | External dimensions | Dimensions of the flush-fit gap | Weight | Power dissipation by temperature increases °C P(W)* | | | | |
|-------------------|-------------------|------------------------|---------------------|---------------------------------|--------|-----------------------------------------------------|------|------|------|------|
| WHITE DOOR | TRANSP. DOOR | | | | | 20 | 25 | 30 | 35 | 40 |
| | | HEIGHT X WIDTH X DEPTH | | | KG | | | | | |
| GPE12PO/PH | GPE12PT/PH | 1x12 DIN rail | 284x316x97 | 256x288x72 | 1.2 | 12.2 | 15.3 | 18.4 | 21.4 | 24.5 |
| GPE18PO/PH | GPE18PT/PH | 1x18 DIN rail | 284x424x97 | 256x396x72 | 1.5 | 15.8 | 19.7 | 23.7 | 27.6 | 31.5 |
| GPE24PO/PH | GPE24PT/PH | 2x12 (24) DIN rail | 449x316x97 | 421x288x72 | 1.9 | 18.5 | 23.1 | 27.7 | 32.3 | 37.0 |
| GPE36PO/PH | GPE36PT/PH | 3x12 (36) DIN rail | 574x316x97 | 546x288x72 | 2.5 | 23.2 | 29.0 | 34.8 | 40.6 | 46.4 |

HALOGEN-FREE PLASTIC MATERIALS

Frame and door in ABS, white RAL 9003.

Transparent door in tinted PC.

Base in PS V0, grey RAL 7035.

PO: White door. PT: Transparent door.

/PH: Flush-mounted plasterboard and prefabricated walls. Glow wire resistance on base of 850 °C.

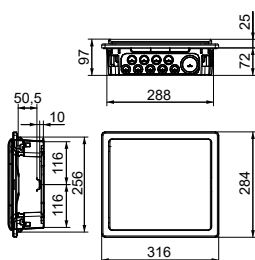
IP40 - Flush-mounted in hollow walls.

* Calculations obtained in accordance with the CEI 890:1997 standard (including 1998 corrigendum). Method of temperature-rise assessment by extrapolation for partially type-tested assemblies (PTTA) of low-voltage switchgear and control gear.



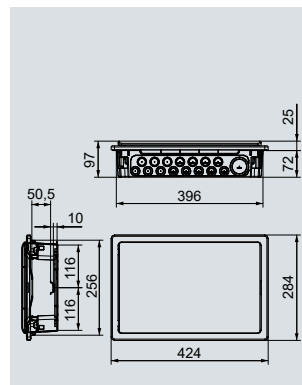
1x12 modules GPE12PO/PH - GPE12PT/PH

UPPER: 4x4
LOWER: 1xM50/M40 - 4xM25/M20 - 5xM25/M16
REAR: 2xM40/M32 - 4xM25
LEFT and RIGHT: 2xØ32



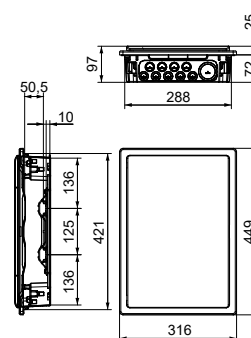
1x18 modules GPE18PO/PH - GPE18PT/PH

UPPER: 4x4
LOWER: 1xM50/M40 - 7xM25/M20 - 8xM25/M16
REAR: 2xM40/M32 - 4xM25
LEFT and RIGHT: 2xØ32



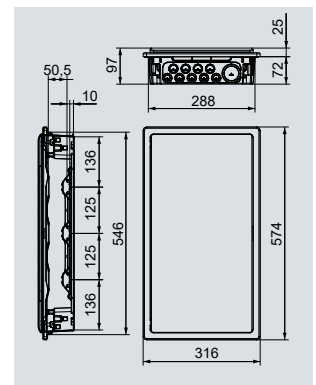
2x12 (24) modules GPE24PO/PH - GPE24PT/PH

UPPER: 4x4
LOWER: 1xM50/M40 - 4xM25/M20 - 5xM25/M16
REAR: 2xM40/M32 - 4xM25
LEFT and RIGHT: 3xØ32



3x12 (36) modules GPE36PO/PH - GPE36PT/PH

UPPER: 4x4
LOWER: 1xM50/M40 - 4xM25/M20 - 5xM25/M16
REAR: 2xM40/M32 - 4xM25
LEFT and RIGHT: 4xØ32



IP40 distribution boxes. **Flush-mounted in hollow walls** With neutral and earth bars

| Reference | | No. of modules | External dimensions | Dimensions of the flush-fit gap | Weight | Power dissipation by temperature increases °C P(W)* | | | | |
|----------------------|----------------------|--------------------|------------------------|---------------------------------|--------|-----------------------------------------------------|------|------|------|------|
| WHITE DOOR | TRANSP. DOOR | | HEIGHT X WIDTH X DEPTH | | KG | 20 | 25 | 30 | 35 | 40 |
| GPE12PO/PH/RR | GPE12PT/PH/RR | 1x12 DIN rail | 284x316x97 | 256x288x72 | 1.4 | 12.2 | 15.3 | 18.4 | 21.4 | 24.5 |
| GPE18PO/PH/RR | GPE18PT/PH/RR | 1x18 DIN rail | 284x424x97 | 256x396x72 | 1.7 | 15.8 | 19.7 | 23.7 | 27.6 | 31.5 |
| GPE24PO/PH/RR | GPE24PT/PH/RR | 2x12 [24] DIN rail | 449x316x97 | 421x288x72 | 2.2 | 18.5 | 23.1 | 27.7 | 32.3 | 37.0 |
| GPE36PO/PH/RR | GPE36PT/PH/RR | 3x12 [36] DIN rail | 574x316x97 | 546x288x72 | 2.8 | 23.2 | 29.0 | 34.8 | 40.6 | 46.4 |

IP40 distribution boxes. **Flush-mounted in hollow walls** With push-in neutral and earth bars

| Reference | | No. of modules | External dimensions | Dimensions of the flush-fit gap | Weight | Power dissipation by temperature increases °C P(W)* | | | | |
|----------------------|----------------------|--------------------|------------------------|---------------------------------|--------|-----------------------------------------------------|------|------|------|------|
| WHITE DOOR | TRANSP. DOOR | | HEIGHT X WIDTH X DEPTH | | KG | 20 | 25 | 30 | 35 | 40 |
| GPE12PO/PH/RA | GPE12PT/PH/RA | 1x12 DIN rail | 284x316x97 | 256x288x72 | 1.3 | 12.2 | 15.3 | 18.4 | 21.4 | 24.5 |
| GPE18PO/PH/RA | GPE18PT/PH/RA | 1x18 DIN rail | 284x424x97 | 256x396x72 | 1.6 | 15.8 | 19.7 | 23.7 | 27.6 | 31.5 |
| GPE24PO/PH/RA | GPE24PT/PH/RA | 2x12 [24] DIN rail | 449x316x97 | 421x288x72 | 2.1 | 18.5 | 23.1 | 27.7 | 32.3 | 37.0 |
| GPE36PO/PH/RA | GPE36PT/PH/RA | 3x12 [36] DIN rail | 574x316x97 | 546x288x72 | 2.7 | 23.2 | 29.0 | 34.8 | 40.6 | 46.4 |

HALOGEN-FREE PLASTIC MATERIALS

Frame and door in ABS, white RAL 9003.

Transparent door in tinted PC.

Base in PS V0, grey RAL 7035.

PO: White door. PT: Transparent door.

/PH: Flush-mounted plasterboard and prefabricated walls. Glow wire resistance on base of 850 °C.

/RR: With screw-mounted neutral and earth bars.

/RA: With push-in neutral and earth bars.

IP40 - Flush-mounted in hollow walls.

* Calculations obtained in accordance with standard CEI 890:1997 (including 1998 corrigendum). Method of temperature-rise assessment by extrapolation for partially type-tested assemblies (PTTA) of low-voltage switchgear and control gear.

Neutral and earth bars

The neutral and earth bars permit the connection of the conductors to a common collector bar thus increasing the safety of the installation.

The Gold series boxes permit the attachment of the bar-holder support using a clip system for a quick and safe installation.

Different types of bars, with screw or push-in mounting, can be mounted on the support.

Structure for screw-mounted neutral and earth bars

| Reference | Terminal I | | Terminal II | | Cable cross-section | |
|--------------|------------|------|-------------|------|-------------------------------------------------------------------------------------------------------------------------------|-------------------------------------------------------------------------------------------------------------------------------|
| | N | T | N | T | N | T |
| 22019 | 1+5 | - | - | - | 5 x (10-25 mm ²) + 1 x (16-35 mm ²) | - |
| 22031 | 2+12 | 2+12 | - | - | 6 x (2,5-6 mm ²) + 6 x (4-10 mm ²) + 1 x (10-25 mm ²) + 1 x (16-35 mm ²) | 6 x (2,5-6 mm ²) + 6 x (4-10 mm ²) + 1 x (10-25 mm ²) + 1 x (16-35 mm ²) |
| 22032 | 2+16 | 2+16 | - | - | 8 x (2,5-6 mm ²) + 8 x (4-10 mm ²) + 1 x (10-25 mm ²) + 1 x (16-35 mm ²) | 8 x (2,5-6 mm ²) + 8 x (4-10 mm ²) + 1 x (10-25 mm ²) + 1 x (16-35 mm ²) |
| 22033 | 2+16 | - | - | 2+16 | 8 x (2,5-6 mm ²) + 8 x (4-10 mm ²) + 1 x (10-25 mm ²) + 1 x (16-35 mm ²) | 8 x (2,5-6 mm ²) + 8 x (4-10 mm ²) + 1 x (10-25 mm ²) + 1 x (16-35 mm ²) |
| 22034 | 2+24 | - | - | 2+24 | 12 x (2,5-6 mm ²) + 12 x (4-10 mm ²) + 1 x (10-25 mm ²) + 1 x (16-35 mm ²) | 12 x (2,5-6 mm ²) + 12 x (4-10 mm ²) + 1 x (10-25 mm ²) + 1 x (16-35 mm ²) |

Structure for push-in neutral and earth bars

| Reference | Terminal I | | Terminal II | | Cable cross-section | |
|--------------|------------|---------|-------------|---------|-------------------------------------------------|-------------------------------------------------|
| | N | T | N | T | N | T |
| 22041 | 2x(1+7) | 2x(1+7) | - | - | 14 x 4 mm ² + 2 x 25 mm ² | 14 x 4 mm ² + 2 x 25 mm ² |
| 22042 | 2x(1+7) | 2x(1+7) | - | - | 14 x 4 mm ² + 2 x 25 mm ² | 14 x 4 mm ² + 2 x 25 mm ² |
| 22043 | 3x(1+7) | - | - | 3x(1+7) | 21 x 4 mm ² + 3 x 25 mm ² | 21 x 4 mm ² + 3 x 25 mm ² |
| 22044 | 4x(1+7) | - | - | 4x(1+7) | 28 x 4 mm ² + 4 x 25 mm ² | 28 x 4 mm ² + 4 x 25 mm ² |

GOLD Accessories



HINGE



LEVEL



LOCK WITH KEY

LINKING PIECE FOR
FLUSH-MOUNTED
BOXES

GOLD Accessories

Miscellaneous

| | Ref. |
|----------------------------------------------|--------------|
| Level 9.5x25 (10-piece bag) | 22073 |
| Hollow walls fixing claws (4-piece bag) | 22100 |
| Link piece for flush-fit boxes (2-piece bag) | 22150 |
| Hinge | 74830 |

Locks

| | Ref. |
|---------------|--------------|
| Lock with key | 22015 |

White doors

| | Ref. |
|------------|--------------|
| 12 modules | 74745 |
| 18 modules | 74765 |
| 24 modules | 74785 |
| 36 modules | 74805 |

Transparent doors

| | Ref. |
|------------|--------------|
| 12 modules | 74746 |
| 18 modules | 74766 |
| 24 modules | 74786 |
| 36 modules | 74806 |

Screw-mounted neutral and earth bars



| | No. of modules | Ref. |
|-------------------------------------------------|----------------|--------------|
| Support + neutral or earth bar (1+5 inputs) | 12-18-24-36 | 22019 |
| Support + neutral and earth bar 2x(2+12 inputs) | 12 | 22031 |
| Support + neutral and earth bar 2x(2+16 inputs) | 18 | 22032 |
| Support + neutral and earth bar 2x(2+16 inputs) | 24 | 22033 |
| Support + neutral and earth bar 2x(2+24 inputs) | 36 | 22034 |

Push-in neutral and earth bars



| | No. of modules | Ref. |
|------------------------------------------------|----------------|--------------|
| Support + neutral and earth bar 4x(1+7 inputs) | 12 | 22041 |
| Support + neutral and earth bar 4x(1+7 inputs) | 18 | 22042 |
| Support + neutral and earth bar 6x(1+7 inputs) | 24 | 22043 |
| Support + neutral and earth bar 8x(1+7 inputs) | 36 | 22044 |

SILVER



IP40 Flush-fit distribution boxes with steel door

The range of flush-fit distribution boxes with steel door offers a modular capacity from 12 to 70 modules.

The series' design permits maximum accessibility once installed, thus delivering major capacity and space on the inside.

Designed for the commercial or residential sector to guarantee perfect integration in any setting.



SILVER Technical Specifications

- **Degree of protection:** IP40.
- **Resistance to impact:** IK08.
- **Glow wire resistance (on flush-fit base):**
 - Brick walls: 650 °C.
 - Hollow walls (PH version): 850 °C.
- **Ambient temperature range:** -25 °C / +40 °C.
- **Maximum operating voltage:** 1000 V AC/1500 V DC.
- **Double insulation:** Class II.

SILVER Certifications



Compliant with the Low Voltage Directive 2014/35/EU.
Standards: IEC 62208 and UNE-EN 61439-1 (as applicable).

Intended for tertiary and residential use,
apartments, offices, hotels... designed to install
both in brick walls and in hollow walls

SILVER

IP40 flush-fit distribution boxes with steel door



Product series

- Flush-fit boxes for BRICK WALLS with a capacity of 14, 28, 42, 56 and 70 modules with steel door.
- Flush-fit boxes for HOLLOW WALLS (PH version) with a capacity of 14, 28, 42, 56 and 70 modules with steel door.

Material

- Frame and white door: RAL 9003 white metal sheet steel.
- Base made of high impact polystyrene.

Supply

- Supplied in a single box per packaging multiple.
- Accessory bag:
 - Neutral and earth bars.
 - White module cover.
 - Lid-base locking screws.
 - Assembly Instructions.

Available in two versions: for hollow walls and for brick walls



Base

- Base comprising a detachable top and bottom part that facilitates the fixing and installation of the distribution trunking.
- The detachable walls are placed on side guides provided for this purpose and are secured by tabs, with easy-to-break knock-outs for cable and pipe entry. It is essential that the detachable covers be fitted before the enclosure is flush-mounted in order to avoid possible deformation.
- There is a "TOP" indication on the base with an arrow to indicate the correct position for installing the enclosure.
- The neutral and earth bars have two possible positions depending on assembly needs. These bars are included in all references.

Cover-base closure

- The cover is attached to the base by means of a clip system. As provided for by the applicable legislation, a tool is needed to reopen the assembly.
- It can also be locked by means of two screws on the central part. These screws are supplied in the accessory bag.

DIN rail attachment

- The rails are supplied assembled and secured to the bottom of the base by means of 4.4x11 mm screws.



Packaging

- The box packaging has knock-out figures of the enclosure's size. These figures protect the base of the entry from plaster and dirt during the flush-fitting process.

Door

- RAL 9003 white metal doors.
- Reversible horizontal 120° opening and closing.
- The door lock has a very attractive finish. There is the possibility of key-locking, supplied as an accessory (Ref. 22020).
- The frame is 15 mm wider than the base, thus concealing possible flaws or damage caused by the flush-fitting.

SILVER

IP40 flush-fit distribution boxes with steel door

IP40 flush-fit distribution boxes with steel door. Hollow walls

| Reference No. | No. of modules | Rows | External dimensions | Dimensions of the flush-fit gap | Weight | Power dissipation according to temperature increase °C P(W)* | | | | |
|-------------------|----------------|------|---------------------|---------------------------------|--------|--------------------------------------------------------------|------|------|------|------|
| | | | | | | 20 | 25 | 30 | 35 | 40 |
| SIL14PO/PH | 12+2 DIN rail | 1 | 343x368x93 | 314x314x86 | 2.5 | 13.1 | 16.4 | 19.7 | 23.0 | 26.3 |
| SIL28PO/PH | 24+4 DIN rail | 2 | 443x368x93 | 414x314x86 | 3.2 | 16.9 | 21.1 | 25.3 | 29.5 | 33.7 |
| SIL42PO/PH | 36+6 DIN rail | 3 | 568x368x93 | 539x314x86 | 3.8 | 21.5 | 26.9 | 32.3 | 37.7 | 43.1 |
| SIL56PO/PH | 48+8 DIN rail | 4 | 753x368x93 | 724x314x86 | 4.9 | 28.4 | 35.5 | 42.6 | 49.7 | 56.8 |
| SIL70PO/PH | 60+10 DIN rail | 5 | 878x368x93 | 849x314x86 | 6.0 | 34.0 | 42.5 | 51.0 | 59.5 | 68.0 |

HALOGEN-FREE PLASTIC MATERIALS

Neutral and earth bars included.

Frame and door in white metal sheet, RAL 9003.

IP40 - Flush-fit - Hollow walls.

/PH: For hollow walls. Glow wire resistance on flush-fit base: 850 °C.

* Calculations obtained according to the CEI 890:1997 standard (including Corrigendum 1998). Method of temperature-rise assessment by extrapolation for partially type-tested assemblies (PTTA) of low-voltage switchgear and control gear.



**12+2 modules
SIL14PO**



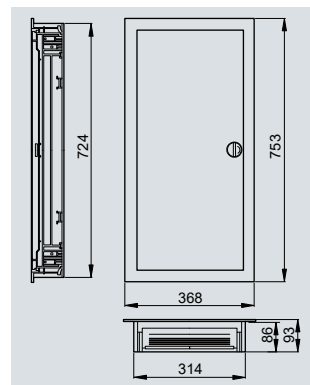
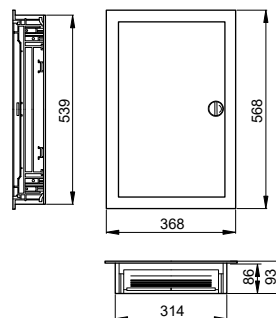
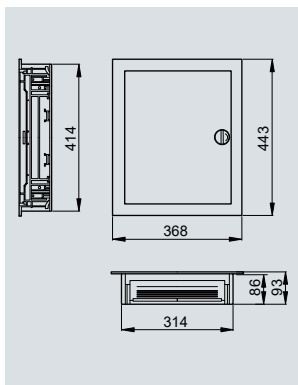
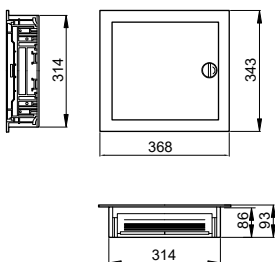
**24+4 modules
SIL28PO**



**36+6 modules
SIL42PO**



**48+8 modules
SIL56PO**



IP40 flush-fit distribution boxes with steel door. Brick walls

| Reference No. | No. of modules | Rows | External dimensions | Dimensions of the flush-fit gap | Weight | Power dissipation according to temperature increase °C P(W)* | | | | |
|----------------|----------------|------|------------------------|---------------------------------|--------|--------------------------------------------------------------|------|------|------|------|
| | | | | | | 20 | 25 | 30 | 35 | 40 |
| | | | HEIGHT X WIDTH X DEPTH | | KG | | | | | |
| SIL14PO | 12+2 DIN rail | 1 | 343x368x93 | 314x314x86 | 2.4 | 13.1 | 16.4 | 19.7 | 23.0 | 26.3 |
| SIL28PO | 24+4 DIN rail | 2 | 443x368x93 | 414x314x86 | 3.2 | 16.9 | 21.1 | 25.3 | 29.5 | 33.7 |
| SIL42PO | 36+6 DIN rail | 3 | 568x368x93 | 539x314x86 | 3.8 | 21.5 | 26.9 | 32.3 | 37.7 | 43.1 |
| SIL56PO | 48+8 DIN rail | 4 | 753x368x93 | 724x314x86 | 4.9 | 28.4 | 35.5 | 42.6 | 49.7 | 56.8 |
| SIL70PO | 60+10 DIN rail | 5 | 878x368x93 | 849x314x86 | 6.0 | 34 | 42.5 | 51 | 59.5 | 68 |

HALOGEN-FREE PLASTIC MATERIALS

Neutral and earth bars included.

White base in polystyrene RAL 9003.

Frame and door in white metal sheet RAL 9003.

IP40 - Flush-fit - Brick walls.

* Calculations obtained according to the CEI 890:1997 standard (including Corrigendum 1998). Method of temperature-rise assessment by extrapolation for partially type-tested assemblies (PTTA) of low-voltage switchgear and control gear.

SILVER Accessories

Neutral and earth bars

| | Ref. | No. of modules | For references |
|----------------------------------------------|--------------|----------------|-------------------|
| Support + neutral and earth bar (16 entries) | 22025 | 14/28/42/56/70 | SIL14/28/42/56/70 |

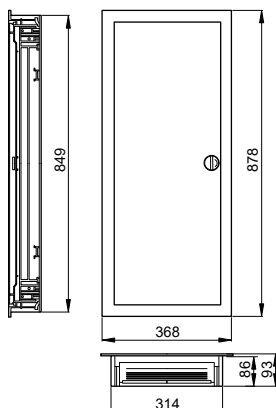
Miscellaneous

| | Ref. |
|-----------------------------|--------------|
| Lock with key | 22020 |
| Brick walls fixing claws | 22021 |
| Hollow walls fixing claws | 22022 |
| Silver standard lock | 22023 |
| Spare hinge | 22024 |
| White module cover (6 mod.) | 77600 |



60+10 modules

SIL70PO



ATLANTIC



IP40-IP65 Steel distribution cabinets (48-192 modules)

The ATLANTIC series is a set of steel distribution enclosures for the creation of low-voltage electrical distribution panels. This product line with an innovative aesthetic appearance surpasses the mandatory quality and safety concepts in an increasingly more demanding market.

It includes a broad catalogue of models that make it possible to create customised electrical panels: surface-mounted, flush-fit, watertight, with opaque or transparent doors, with extensive modular capacity, connection structures, etc. All manufactured with the highest-quality materials, featuring a quick and straightforward assembly system which delivers total functionality and the integration of any electrical switchgear model.



IP
40IP
65

CE



ATLANTIC Technical Specifications

- **Degree of protection:**
 - Combinable surface cabinets without door: IP30.
 - Combinable surface cabinets with door: IP40.
 - Compact surface cabinets: IP40.
 - Compact surface cabinets: IP65.
 - Flush-fit cabinets: IP40.
- **Resistance to impact:**
 - Combinable surface cabinets without door: IK07.
 - Surface and flush-fit cabinets with transparent door: IK09.
 - Surface and flush-fit cabinets with opaque door: IK10.
- **Ambient temperature range:** -25 °C / +40 °C.

ATLANTIC Certifications



Compliant with the Low Voltage Directive 2014/35/EU.
Standards: UNE-EN 62208 and UNE-EN 61439-1
(as applicable).

ATLANTIC Electrical properties

- **Max. rated operating voltage (Ue):** 1000 V AC / 1500 V DC.
- **Rated insulation voltage (Ui):** 1000 V AC.
- **Rated impulse withstand voltage (Uimp):** 8 kV
(depending on type of accessory).
- **Current (Ie):** 630 A (surface) / 125 A (flush-fit)
(depending on type of accessory).
- **Rated short-time withstand current (Icw):** 33 kA 1s.
- **Rated peak withstand current (Ipk):** 69 kA.

ATLANTIC

IP40-IP65 steel distribution cabinets



Product series

Standard

- IP30 combinable surface cabinets without door.
- IP40 combinable surface cabinets with opaque or transparent door.
- IP40 compact surface cabinets with opaque or transparent door.
- IP65 compact surface cabinets with opaque or transparent door.
- IP40 flush-fit cabinets with opaque or transparent door.
- Modular capacity for the whole range of products:
48 – 72 – 96 – 120 – 144 – 168 – 192.

Supply

IP30-IP40 combinable surface cabinets

They are supplied disassembled in a single packaging that contains enclosure, sides, top and bottom cover, cable entry cover and accessory bag.

- Accessory bag: Insulating caps to permit reversible doors, wall-mounting supports, reinforcement buttons, mass continuity clamps, rulers for fitting rails and assembly instructions.

The doors are supplied separately if requested, with both locks assembled and with accessory bag.

- Door accessory bag: Hinges and locks, mounting screws, lock pins and key.

IP40-IP65 compact surface cabinets and IP40 flush-fit cabinets

They are supplied assembled in individual packaging that contains the cabinet with the door and the locks assembled, and an accessory bag.

- Accessory bag: Insulating caps to permit reversible doors, wall-mounting supports (for surface cabinets), rulers for fitting rails, key and assembly instructions.

Lids and DIN rails

- They can be ordered as a Kit: Lids + DIN rails.
- Separately: modular or blind lids, as well as DIN rails plus assembly supports for surface cabinets (48013) or for flush-fit cabinets (48014).

Intended for creating low-voltage electrical distribution panels for tertiary and residential sectors

Material

- Enclosure, sides, top and bottom covers for surface cabinets and frames for flush-fit cabinets manufactured in cold-rolled steel EN 10130+A1 with a thickness of 1.2 mm.
- Enclosure for flush-fit cabinets manufactured in galvanised steel with a thickness of 1.2 mm.
- Opaque doors manufactured in cold-rolled steel EN 10130+A1; 1-mm thick surface cabinets and 1.2-mm thick flush-fit cabinets and transparent doors manufactured in tinted 4-mm tempered safety glass.
- Chassis for compact surface cabinets made of 1.5 - 2 mm thick galvanized steel sheet.

Finish

- Coated with hardened RAL 9003 epoxy-polyester paint, embossed.

Protection

- Corrosion resistance according to the UNE-EN 62208 standard. For outdoor installations, the effect of the corrosion must be taken into consideration.

Standard painting cycle

- **Degreasing:** Removal of remains of contaminants by means of a neutral stripper and tensoactive concentrate.
- **Rinsing:** Two rinses, the first one with mains water and the second one with demineralised water.
- **Passivation:** Thin-coat conversion agent.
- **Drying and painting:** Drying with hot air (in tunnel at 100 °C) and coated with hardened RAL 9003 epoxy-polyester paint.
- **Firing:** Furnace polymerisation adherence at 180 °C for 15-20 min.

IP30-IP40 COMBINABLE SURFACE CABINETS



Enclosure

- Totally assemblable enclosure that is supplied disassembled to give the installer greater versatility and facilitate assembly and wiring.
- Flat component with two profiles to which all the unit's equipment is secured. The profiles have two 25-mm rectangular cut-out lines to insert caged nuts to secure accessories, and a third line with 3 mm-diameter circular holes for screwing them directly to the wall.
- There are four riveted nuts in the corners at the back facing outwards for fixing the wall-mounting supports.

Sides

- The sides are of the clip-on assembly type.
- The sides are reversible, and the contact area between the side and back has a fold to guarantee water protection.

Door

- Possibility of opaque or transparent door. Opaque doors manufactured in 1-mm thick sheet and transparent doors with 4-mm thick tempered and tinted safety glass with IDE silk-screen printed on them.
- Four C-shaped common elements are supplied for the purpose of installation, for securing the hinges and for locking the enclosure. This makes them reversible.

Top and bottom covers

- The top covers are of the clip-on assembly type.
- They have an opening of 440x106 mm to facilitate cable trunking or installation trays. The width of this entry is the same as the rail's, thus facilitating cable distribution inside the enclosure. This gap is covered by the cable entry cover.
- The cable entry cover comes pre-marked with the dimensions of the most commonly used trays and trunking in order to make it easier to cut out.
- This cover is fitted by means of a clipping system and is reinforced by two self-tapping screws.

Mass continuity and reinforcement button

- Four clamps are supplied to secure the enclosure to the top cover and the sides in order to guarantee mass continuity and to protect the enclosure from indirect contacts.
- Four plastic buttons secured by pressure are supplied, thus affording the cabinet greater stability and making it impossible to disassemble without using a tool, as provided for by the applicable regulations.

Locks

- Standard 5-mm ¼ turn double-bit lock. All references have two locks.
- Other types of locks are supplied as accessories.

Cabinets can be combined, thus achieving large-sized structures and modular capacity



ATLANTIC

IP40-IP65 steel distribution cabinets

IP40 COMPACT SURFACE CABINETS

Enclosure

- The enclosure is U-shaped and is made of a single piece consisting of the bottom and the sides.
- A mounting frame is screwed inside, consisting of two profiles where all the equipment can be fixed, and several horizontal reinforced profiles. Each vertical profile has two cut-out lines to insert caged nuts to secure accessories, with 14x9 mm rectangular dies every 25 mm.
- There are four riveted nuts in the corners at the back facing outwards for fixing the wall-mounting supports.

Top and bottom covers

- The top and bottom covers are of the clip-on assembly type.
- They have an opening of 440x106 mm to facilitate cable trunking or installation trays. The width of this entry is the same as the rail's, thus facilitating cable distribution inside the enclosure. This gap is covered by the cable entry cover.
- The cable entry cover comes pre-marked with the dimensions of the most commonly used trays and trunking in order to make it easier to cut out.
- This cover is fitted by means of a clipping system and is reinforced by two self-tapping screws.

IP65 COMPACT SURFACE CABINETS

Enclosure

- The enclosure consists of a single piece.
- A mounting frame is screwed inside, consisting of two profiles where all the equipment can be fixed, and several horizontal reinforced profiles. Each vertical profile has two cut-out lines to insert caged nuts to secure accessories, with 14x9 mm rectangular dies every 25 mm.
- There are four riveted nuts in the corners facing outwards for fixing the wall-mounting supports.
- The 500x80 mm cable entries are located at the top and bottom.
- The cable entries are covered by means of metal lids secured to the enclosure with machined screws. The cover has a sealing gasket to guarantee IP65 protection.
- A gland is recommended for trunking and cable entry to avoid losing the enclosure's IP protection degree.



IP40 - IP65 compact cabinet door and locks

Door

- Possibility of opaque or transparent door.
- Opaque doors made from sheet with a thickness of 1 mm.
- Transparent doors manufactured with 4-mm thick tempered and tinted safety glass with IDE silk-screen printed on them.
- Doors for IP65 cabinets with sealing gasket to guarantee the cabinet's degree of protection.
- Four C-shaped common elements are supplied for securing the hinges and for locking the enclosure. This makes all the doors reversible.

Locks

- Standard 5-mm ¼ turn double-bit lock. All references have two locks.
- Other types of locks are supplied as accessories.

Removable chassis (integrated in IP40-IP65 compact cabinets)



IP40 FLUSH-FIT CABINETS



Enclosure

- Manufactured in galvanised steel, totally protected from any rust that may be caused due to wall humidity. It consists of a single folded part, with easy-to-break knock-out entries of 100x50 mm for cable entry and trunking.
- It also has two wings for wall-mounting which provide better attachment in flush-fitting.

Flush-fit enclosures can be combined, thus achieving large-sized structures and modular capacity

Frame

- The cabinet's frame acts as a rack, and all the electrical switchgear can be fitted on the workbench separate from the flush-fit base.
- It has two 25-mm rectangular cut-out strips to which all the equipment is assembled by means of caged nuts and suitable screws.
- The cabinet sides have large spaces for wiring, where cable trunks with a width of 40 mm or 60 mm can be fitted. If cables need to be run below the frame there is a space of 30 mm between the frame and the bottom.
- The frame with all the switchgear fitted is assembled on a flush-fit base. The cut-outs are all oval-shaped, thus allowing any deviations in the flush-fit to be corrected.



Door

- Possibility of opaque or transparent door.
- Opaque doors made from sheet with a thickness of 1.2 mm.
- Transparent doors manufactured with 4-mm thick tempered and tinted safety glass with IDE silk-screen printed on them.
- The doors are totally flat to enhance the aesthetic appeal of the flush-fit.
- They are secured to the frame by means of inside hinges, which means that all the doors are reversible.

Locks

- Standard 5-mm ¼ turn double-bit lock. All references have two locks.
- Other types of locks are supplied as accessories.

ATLANTIC

IP40-IP65 steel distribution cabinets

Lid + DIN rail kit (for surface and flush-fit cabinets)

DIN rail for surface cabinets

- Each rail has a standard capacity of 24 modules.
- Omega rail or chassis clip-on mounting system.
- Depth-adjustable supports that permit a DIN rail height variation in the range of 45 mm. The support has three pre-marked positions corresponding to the three standard heights for modular electrical switchgear.
- Height can be adjusted either prior to delivery or once the sub-assembly has been fitted in the enclosure.
- In order to fit the rails in the right position in the enclosure profiles or in the chassis, a ruler is supplied where the positions of the holes to be used are pre-marked, depending on the number of rails to be installed.

DIN rail for flush-fit cabinets

- Each rail has a standard capacity of 24 modules.
- Rail attached directly to the frame by means of M6 caged nuts and M6x10 screws.
- Fixed distance between DIN rails and protection lids.
- In order to fit the rails in the right position, in the frame profiles, a ruler is supplied where the positions of the holes to be used are pre-marked, depending on the number of rails to be installed.

Distance between rail and lid:

- Surface cabinets: 50.5 - 96 mm.
- Flush-fit cabinets: 50.5 mm.

Distance between lid and door

- Surface cabinets: 45.5 mm.
- Flush-fit cabinets: 33.5 mm.

Modular lids

Possibility of plastic and metal lids.

Plastic lids:

- Hinged, they are closed by means of a clipping system; a tool is needed to open the lid, as provided for by the applicable regulations.

Manufactured in ABS, RAL 9003.

- Modular: Height of 150 mm and 200 mm with capacity for 24 modules.
- Blind: Height of 50, 150 and 200 mm.

Metal lids:

- Fixed, bolted to the cabinet's structure by means of M6 caged nuts and M6x10 anti-twist screws.
- Made of RAL 9003 cold-rolled steel.
- Modular: Height of 150 and 200 mm with capacity for 24 modules; height of 300 and 400 mm with capacity for 48 (2x24) modules.
- Blind: Height of 50, 150, 200, 300 and 400 mm.



PLASTIC LID KIT



METAL LID KIT

Calculation of modules according to lids

| Initial number of modules | Inner space | 200 mm lids | 150 mm lids | 50 mm blind lids | Number of modules obtained |
|---------------------------|-------------|-------------|-------------|------------------|----------------------------|
| 48 | 450 | 2 | - | 1 | 48 |
| | | - | 3 | - | 72 |
| 72 | 650 | 3 | - | 1 | 72 |
| | | - | 4 | 1 | 96 |
| 96 | 850 | 4 | - | 1 | 96 |
| | | - | 5 | 2 | 120 |
| | | 5 | - | 1 | 120 |
| 120 | 1050 | 2 | 4 | 1 | 144 |
| | | - | 7 | - | 168 |
| | | 6 | - | 1 | 144 |
| 144 | 1250 | 3 | 4 | 1 | 168 |
| | | 4 | 3 | - | 168 |
| | | - | 8 | 1 | 192 |
| | | 6 | - | 1 | 144 |

The cabinets can be completed with 150-mm or 200-mm lids depending on the minimum number of models you wish to obtain and the combinations to be made. Lids for ICP kit: 300 mm (see page 331).

Moulded-case circuit breaker (MCCB) mounting system

- Mounting system comprising a cover, plate and four adjustment supports.
- The layout of the MCCB (up to 400 A) may be horizontal and/or vertical.
- Two cover + plate references must be ordered for proper installation. The plate includes the four adjustable supports and all the screws needed for installation.

Moulded-case circuit breaker cover (MCCB)

| Reference No. | Lid height | For switch |
|----------------|------------|------------|
| | | |
| TMCB200 | 200 | MCCB |
| TMCB250 | 250 | MCCB |
| TMCB300 | 300 | MCCB |
| TMCB400 | 400 | MCCB |

Plate+moulded-case circuit breaker (MCCB) supports

| Reference No. | Dim. |
|----------------|---------|
| | |
| PMCB200 | 165x385 |
| PMCB250 | 215x385 |
| PMCB300 | 265x385 |
| PMCB350 | 315x385 |

Possibility of plastic and metal lids in two heights: 100 and 200 mm



DIN rail kits

Ref. No. Description

| | |
|--------------|---------------------------------------------------|
| 48013 | DIN rail 24 modules + SURFACE assembly supports |
| 48014 | DIN rail 24 modules + FLUSH-FIT assembly supports |

Hinged plastic lids

| Reference No. | | Lid height | Modules |
|---------------|--------------|------------|---------|
| BLIND | MODULAR | mm | |
| TC50 | - | 50 | - |
| TC150 | TM150 | 150 | 24 |
| TC200 | TM200 | 200 | 24 |

Fixed metal lids

| Reference No. | | Lid height | Modules |
|----------------|----------------|------------|---------|
| BLIND | MODULAR | mm | |
| TCM50F | - | 50 | - |
| TCM150F | TMM150F | 150 | 24 |
| TCM200F | TMM200F | 200 | 24 |
| TCM300F | TMM300F | 300 | 2x24 |
| TCM400F | TMM400F | 400 | 2x24 |

ATLANTIC

IP40-IP65 steel distribution cabinets

IP30-IP40 combinable surface cabinets

| Reference No. | Door Reference No. | Dim. cabinet | Usable height space | Cable entry | Modular capacity | Weight | Maximum acceptable load | Power dissipation according to temperature increase °C P(W)* | | | | | |
|---------------|--------------------|--------------|---------------------|-------------|------------------|--------|-------------------------|--------------------------------------------------------------|-------|-------|-------|-------|-------|
| | | (AXBXC) | (D) | (FXG) | | | | CAB. | DOOR | KG | 20 | 25 | 30 |
| 40ENL48-72 | P040SUP48-72 | 510x670x212 | 450 | 440x106 | 48-72 | 10.9 | 20 | 4.4 | 95.9 | 119.9 | 143.9 | 167.8 | 191.8 |
| | 5.2 | | | | | | | | | | | | |
| 40ENL72-96 | P040SUP72-96 | 710x670x212 | 650 | 440x106 | 72-96 | 13.8 | 30 | 5.8 | 124.9 | 156.2 | 187.4 | 218.6 | 249.9 |
| | 6.9 | | | | | | | | | | | | |
| 40ENL96-120 | P040SUP96-120 | 910x670x212 | 850 | 440x106 | 96-120 | 17.1 | 40 | 7.1 | 154.0 | 192.5 | 230.9 | 269.4 | 307.9 |
| | 8.4 | | | | | | | | | | | | |
| 40ENL120-168 | P040SUP120-168 | 1110x670x212 | 1050 | 440x106 | 120-168 | 20.3 | 50 | 8.6 | 183.0 | 228.7 | 274.5 | 320.2 | 366.0 |
| | 10.1 | | | | | | | | | | | | |
| 40ENL144-192 | P040SUP144-192 | 1310x670x212 | 1250 | 440x106 | 144-192 | 23.3 | 60 | 9.9 | 185.9 | 232.4 | 278.9 | 325.3 | 371.8 |
| | 11.7 | | | | | | | | | | | | |

RAL 9003 rolled steel.

Cabinets are supplied empty, without lids or DIN rail.

The corresponding lid + DIN rail kit must be ordered (see lid kit table).

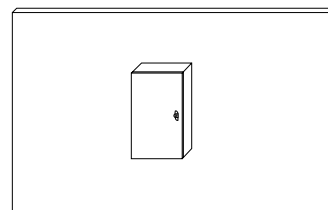
Cabinets supplied without door.

PO: Opaque door - PT: transparent door; two references must be ordered: door + enclosure.

* Calculations obtained according to the CEI 890:1997 standard + Corrigendum 1998; "Method of temperature-rise assessment by extrapolation for partially type-tested assemblies (PTTA) of low-voltage switchgear and control gear".

SEE DIMENSIONS ON [PAGE 324](#).

SEE ACCESSORIES ON [PAGE 326](#).



Lid kits

| Reference | | Modular cap. | Mod. Lids | Mod. Lids | Blind lids | DIN rails | For cabinets |
|-----------|----------|--------------|-----------|-----------|------------|-----------|--------------|
| PLASTIC | METAL | | 200 mm | 150 mm | 50 mm | | |
| S48P200 | S48M200 | 48 MOD. | 2 | - | 1 | 2 | 40ENL48-72 |
| S72P150 | S72M150 | 72 MOD. | - | 3 | - | 3 | 40ENL48-72 |
| S72P200 | S72M200 | | 3 | - | 1 | 3 | 40ENL72-96 |
| S96P150 | S96M150 | 96 MOD. | - | 4 | 1 | 4 | 40ENL72-96 |
| S96P200 | S96M200 | | 4 | - | 1 | 4 | 40ENL96-120 |
| S120P150 | S120M150 | 120 MOD. | - | 5 | 2 | 5 | 40ENL96-120 |
| S120P200 | S120M200 | | 5 | - | 1 | 5 | 40ENL120-168 |
| S168P150 | S168M150 | 168 MOD. | - | 7 | - | 7 | 40ENL120-168 |
| S144P200 | S144M200 | 144 MOD. | 6 | - | 1 | 6 | 40ENL144-192 |
| S192P150 | S192M150 | 192 MOD. | - | 8 | 1 | 8 | 40ENL144-192 |



40ENL48-72



40ENL72-96



40ENL96-120



40ENL120-168



40ENL144-192

IP40 compact surface cabinets

| Reference No. | Dim. cabinet (AXBXC) | Usable height space (D) | Cable entry (FXG) | Modular capacity | Weight (KG) | Maximum acceptable load (KG) | Power dissipation according to temperature increase °C P(W)* | | | | |
|----------------------------------|----------------------|-------------------------|-------------------|------------------|--------------|------------------------------|--------------------------------------------------------------|-------|-------|-------|-------|
| | | | | | | | 20 | 25 | 30 | 35 | 40 |
| 40SUP48-72PO 40SUP48-72PT | 510x670x212 | 450 | 440x106 | 48-72 | 15.4 17.4 | 20 | 95.9 | 119.9 | 143.9 | 167.8 | 191.8 |
| 40SUP72-96PO 40SUP72-96PT | 710x670x212 | 650 | 440x106 | 72-96 | 20.0 20.6 | 30 | 124.9 | 156.2 | 187.4 | 218.6 | 249.9 |
| 40SUP96-120PO 40SUP96-120PT | 910x670x212 | 850 | 440x106 | 96-120 | 24.5 28.6 | 40 | 154.0 | 192.5 | 230.9 | 269.4 | 307.9 |
| 40SUP120-168PO 40SUP120-168PT | 1110x670x212 | 1050 | 440x106 | 120-168 | 29.3 30.0 | 50 | 183.0 | 228.7 | 274.5 | 320.2 | 366.0 |
| 40SUP144-192PO 40SUP144-192PT | 1310x670x212 | 1250 | 440x106 | 144-192 | 33.9 34.7 | 60 | 185.9 | 232.4 | 278.9 | 325.3 | 371.8 |

RAL 9003 rolled steel.

Cabinets are supplied empty, without lids or DIN rail.

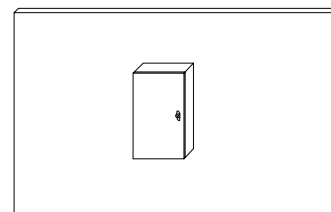
The corresponding lid + DIN rail kit must be ordered (see lid kit table).

Cabinets supplied with door; PO: opaque door - PT: transparent door.

* Calculations obtained according to the CEI 890:1997 standard + Corrigendum 1998; "Method of temperature-rise assessment by extrapolation for partially type-tested assemblies (PTTA) of low-voltage switchgear and control gear".

SEE DIMENSIONS ON PAGE 324.

SEE ACCESSORIES ON PAGE 326.



INTEGRATED REMOVABLE CHASSIS

Lid kits

| Reference | | Modular cap. | Mod. Lids 200 mm | Mod. Lids 150 mm | Blind lids 50 mm | DIN rails | For cabinets |
|-----------|----------|--------------|------------------|------------------|------------------|-----------|-------------------|
| PLASTIC | METAL | | | | | | |
| S48P200 | S48M200 | 48 MOD. | 2 | - | 1 | 2 | 40SUP48-72PO-PT |
| S72P150 | S72M150 | 72 MOD. | - | 3 | - | 3 | 40SUP48-72PO-PT |
| S72P200 | S72M200 | | 3 | - | 1 | 3 | 40SUP72-96PO-PT |
| S96P150 | S96M150 | 96 MOD. | - | 4 | 1 | 4 | 40SUP72-96PO-PT |
| S96P200 | S96M200 | | 4 | - | 1 | 4 | 40SUP96-120PO-PT |
| S120P150 | S120M150 | 120 MOD. | - | 5 | 2 | 5 | 40SUP96-120PO-PT |
| S120P200 | S120M200 | | 5 | - | 1 | 5 | 40SUP120-168PO-PT |
| S168P150 | S168M150 | 168 MOD. | - | 7 | - | 7 | 40SUP120-168PO-PT |
| S144P200 | S144M200 | 144 MOD. | 6 | - | 1 | 6 | 40SUP144-192PO-PT |
| S192P150 | S192M150 | 192 MOD. | - | 8 | 1 | 8 | 40SUP144-192PO-PT |



40SUP48-72



40SUP72-96



40SUP96-120



40SUP120-168



40SUP144-192

ATLANTIC

IP40-IP65 steel distribution cabinets

IP65 compact surface cabinets

| Reference No. | Dim. cabinet (AXBXC) | Usable height space D | Cable entry (FXG) | Modular capacity | Weight KG | Maximum acceptable load KG | Power dissipation according to temperature increase °C P(W)* | | | | |
|------------------------------------------------|-------------------------|--------------------------|----------------------|------------------|--------------|-------------------------------|--------------------------------------------------------------|-------|-------|-------|-------|
| | | | | | | | 20 | 25 | 30 | 35 | 40 |
| 65SUP48-72PO 65SUP48-72PT | 510x670x212 | 450 | 500x80 | 48-72 | 15.3 | 20 | 95.9 | 119.9 | 143.9 | 167.8 | 191.8 |
| 16.1 | | | | | | | | | | | |
| 65SUP72-96PO 65SUP72-96PT | 710x670x212 | 650 | 500x80 | 72-96 | 19.3 | 30 | 124.9 | 156.2 | 187.4 | 218.6 | 249.9 |
| 20.4 | | | | | | | | | | | |
| 65SUP96-120PO 65SUP96-120PT | 910x670x212 | 850 | 500x80 | 96-120 | 23.8 | 40 | 154.0 | 192.5 | 230.9 | 269.4 | 307.9 |
| 25.1 | | | | | | | | | | | |
| 65SUP120-168PO 65SUP120-168PT | 1110x670x212 | 1050 | 500x80 | 120-168 | 27.9 | 50 | 183.0 | 228.7 | 274.5 | 320.2 | 366.0 |
| 29.4 | | | | | | | | | | | |
| 65SUP144-192PO 65SUP144-192PT | 1310x670x212 | 1250 | 500x80 | 144-192 | 32.3 | 60 | 185.9 | 232.4 | 278.9 | 325.3 | 371.8 |
| 34.2 | | | | | | | | | | | |

RAL 9003 rolled steel.

Cabinets are supplied empty, without lids or DIN rail.

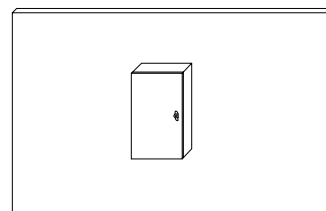
The corresponding lid + DIN rail kit must be ordered (see lid kit table).

Cabinets supplied with door; PO: opaque door - PT: transparent door.

* Calculations obtained according to the CEI 890:1997 standard + Corrigendum 1998; "Method of temperature-rise assessment by extrapolation for partially type-tested assemblies (PTTA) of low-voltage switchgear and control gear".

SEE DIMENSIONS ON [PAGE 325](#).

SEE ACCESSORIES ON [PAGE 326](#).



INTEGRATED REMOVABLE CHASSIS

Lid kits

| Reference | | Modular cap. | Mod. Lids 200 mm | Mod. Lids 150 mm | Blind lids 50 mm | DIN rails | For cabinets |
|-----------------|-----------------|--------------|---------------------|---------------------|---------------------|-----------|-------------------|
| PLASTIC | METAL | | | | | | |
| S48P200 | S48M200 | 48 MOD. | 2 | - | 1 | 2 | 65SUP48-72PO-PT |
| S72P150 | S72M150 | 72 MOD. | - | 3 | - | 3 | 65SUP48-72PO-PT |
| S72P200 | S72M200 | | 3 | - | 1 | 3 | 65SUP72-96PO-PT |
| S96P150 | S96M150 | 96 MOD. | - | 4 | 1 | 4 | 65SUP72-96PO-PT |
| S96P200 | S96M200 | | 4 | - | 1 | 4 | 65SUP96-120PO-PT |
| S120P150 | S120M150 | 120 MOD. | - | 5 | 2 | 5 | 65SUP96-120PO-PT |
| S120P200 | S120M200 | | 5 | - | 1 | 5 | 65SUP120-168PO-PT |
| S168P150 | S168M150 | 168 MOD. | - | 7 | - | 7 | 65SUP120-168PO-PT |
| S144P200 | S144M200 | 144 MOD. | 6 | - | 1 | 6 | 65SUP144-192PO-PT |
| S192P150 | S192M150 | 192 MOD. | - | 8 | 1 | 8 | 65SUP144-192PO-PT |



65SUP48-72



65SUP72-96



65SUP96-120



65SUP120-168



65SUP144-192

IP40 flush-fit cabinets

| Reference No. | Dim. cabinet (AXBXC) | Usable height space D | Enclosure to be flush-fitted (FXGXH) | Modular capacity | Weight KG | Maximum acceptable load KG | Power dissipation according to temperature increase °C P(W)* | | | | |
|----------------------------------|----------------------|-----------------------|--------------------------------------|------------------|--------------|----------------------------|--------------------------------------------------------------|-------|-------|-------|-------|
| | | | | | | | 20 | 25 | 30 | 35 | 40 |
| 40EMP48-72PO 40EMP48-72PT | 597x737x120 | 450 | 520x660x100 | 48-72 | 18.4 19.2 | 20 | 81.9 | 102.4 | 122.9 | 143.3 | 163.8 |
| 40EMP72-96PO 40EMP72-96PT | 797x737x120 | 650 | 720x660x100 | 72-96 | 22.6 23.7 | 30 | 107.1 | 133.9 | 160.7 | 187.5 | 214.2 |
| 40EMP96-120PO 40EMP96-120PT | 997x737x120 | 850 | 920x660x100 | 96-120 | 27.4 28.6 | 40 | 132.3 | 165.4 | 198.5 | 231.6 | 264.7 |
| 40EMP120-168PO 40EMP120-168PT | 1197x737x120 | 1050 | 1120x660x100 | 120-168 | 31.6 33.1 | 50 | 157.5 | 196.9 | 236.3 | 275.7 | 315.1 |
| 40EMP144-192PO 40EMP144-192PT | 1397x737x120 | 1250 | 1320x660x100 | 144-192 | 36.3 38.1 | 60 | 182.8 | 228.4 | 274.1 | 319.8 | 365.5 |

Enclosure: Galvanised steel. Door: RAL 9003 rolled steel.

Cabinets are supplied empty, without lids or DIN rail.

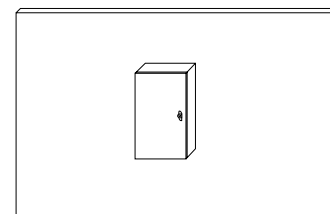
The corresponding lid + DIN rail kit must be ordered (see lid kit table).

Cabinets supplied with door; PO: opaque door - PT: transparent door.

* Calculations obtained according to the CEI 890:1997 standard + Corrigendum 1998; "Method of temperature-rise assessment by extrapolation for partially type-tested assemblies (PTTA) of low-voltage switchgear and control gear".

SEE DIMENSIONS ON PAGE 325.

SEE ACCESSORIES ON PAGE 326.



Lid kits

| Reference | | Modular cap. | Mod. Lids 200 mm | Mod. Lids 150 mm | Blind lids 50 mm | DIN rails | For cabinets |
|-----------|----------|--------------|------------------|------------------|------------------|-----------|-------------------|
| PLASTIC | METAL | | | | | | |
| E48P200 | E48M200 | 48 MOD. | 2 | - | 1 | 2 | 40EMP48-72PO-PT |
| E72P150 | E72M150 | 72 MOD. | - | 3 | - | 3 | 40EMP48-72PO-PT |
| E72P200 | E72M200 | | 3 | - | 1 | 3 | 40EMP72-96PO-PT |
| E96P150 | E96M150 | 96 MOD. | - | 4 | 1 | 4 | 40EMP72-96PO-PT |
| E96P200 | E96M200 | | 4 | - | 1 | 4 | 40EMP96-120PO-PT |
| E120P150 | E120M150 | 120 MOD. | - | 5 | 2 | 5 | 40EMP96-120PO-PT |
| E120P200 | E120M200 | | 5 | - | 1 | 5 | 40EMP120-168PO-PT |
| E168P150 | E168M150 | 168 MOD. | - | 7 | - | 7 | 40EMP120-168PO-PT |
| E144P200 | E144M200 | 144 MOD. | 6 | - | 1 | 6 | 40EMP144-192PO-PT |
| E192P150 | E192M150 | 192 MOD. | - | 8 | 1 | 8 | 40EMP144-192PO-PT |



40EMP48-72



40EMP72-96



40EMP96-120



40EMP120-168

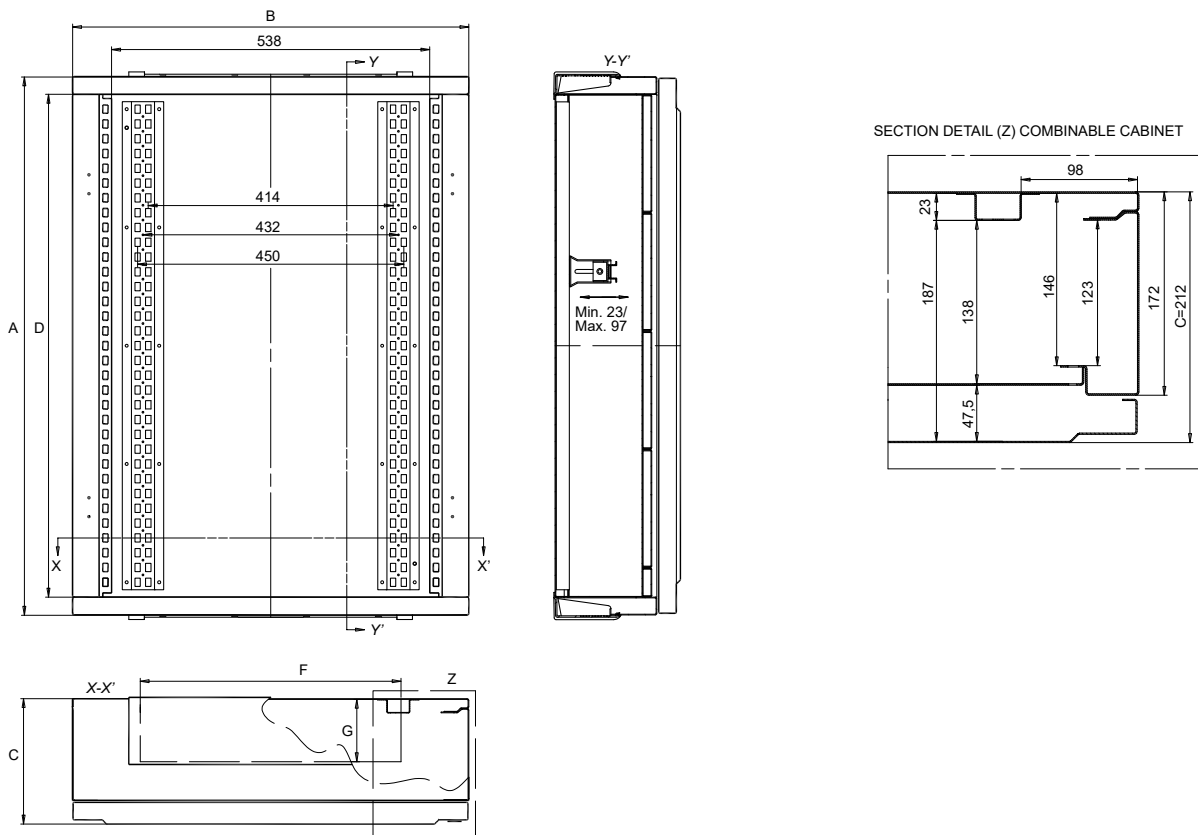


40EMP144-192

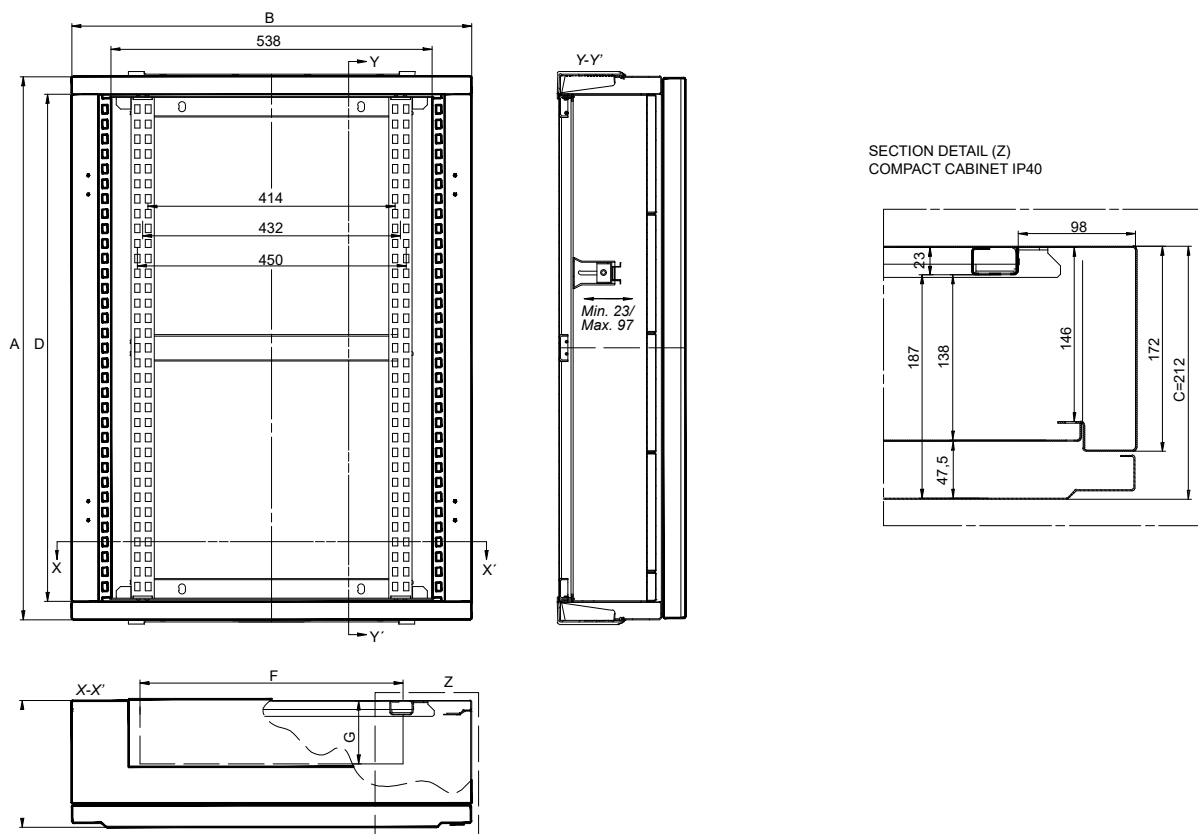
ATLANTIC

IP40-IP65 steel distribution cabinets

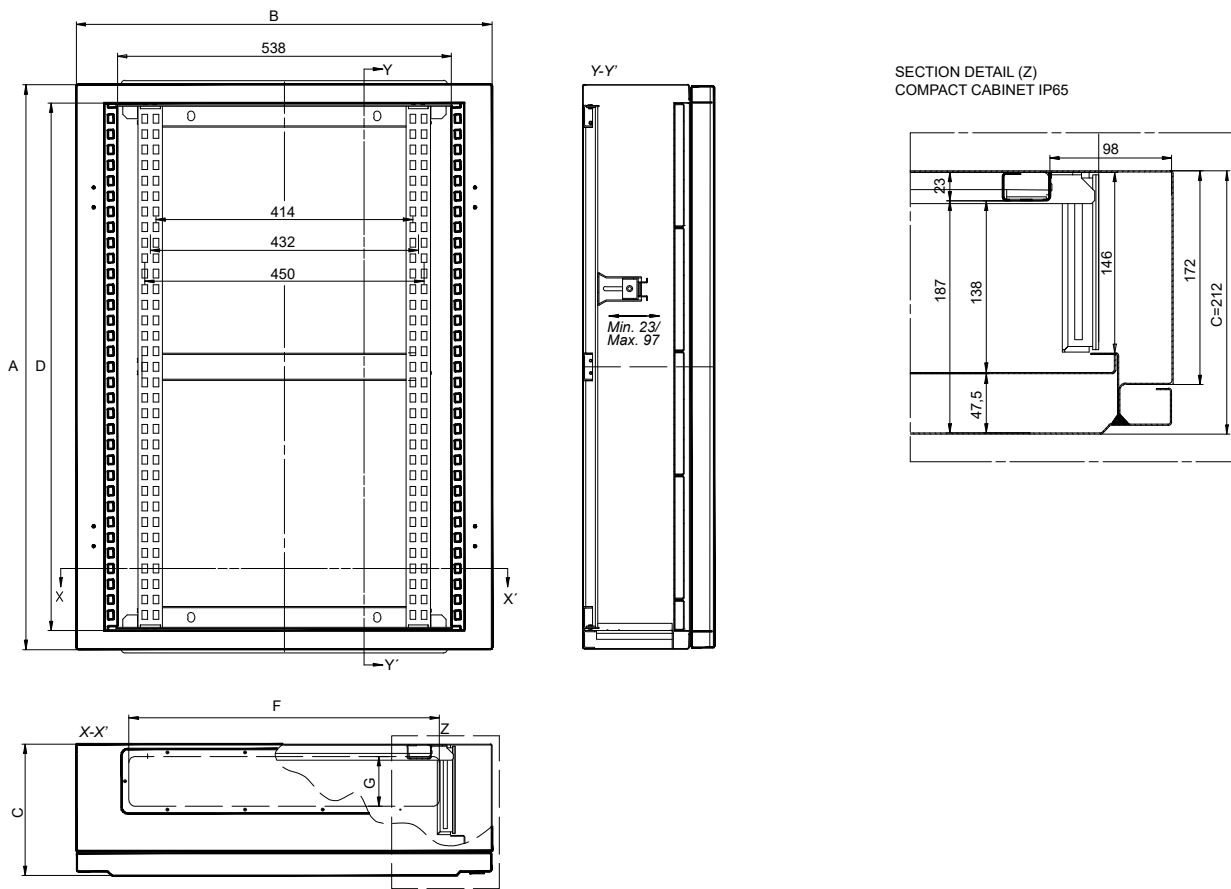
Dimensions: IP40 combinable surface cabinets



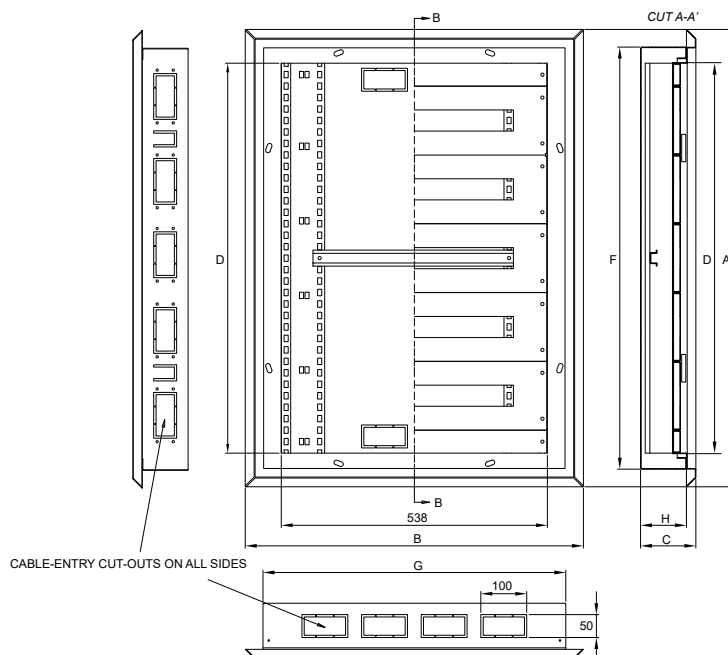
Dimensions: IP40 compact surface cabinets



Dimensions: IP65 compact surface cabinets



Dimensions: IP40 flush-fit cabinets



ATLANTIC

IP40-IP65 steel distribution cabinets accessories

Plastic lids



| Reference No. | Dimensions | Number of modules |
|-----------------------|------------|-------------------|
| MODULAR | | |
| HEIGHT X WIDTH | | |
| TM150 | 150x577 | 24 |
| TM200 | 200x577 | 24 |
| BLIND | | |
| HEIGHT X WIDTH | | |
| TC50 | 50x577 | - |
| TC150 | 150x577 | - |
| TC200 | 200x577 | - |

MATERIAL: ABS RAL 9003 white.

CHARACTERISTICS: Hinged and reversible. They are closed by means of a clipping system.

Metal lids



| Reference No. | Dimensions | Number of modules |
|-----------------------|------------|-------------------|
| FIXED MODULAR | | |
| HEIGHT X WIDTH | | |
| TMM150F | 150x577 | 24 |
| TMM200F | 200x577 | 24 |
| TMM300F | 300x577 | 2x24 |
| TMM400F | 400x577 | 2x24 |
| FIXED BLIND | | |
| HEIGHT X WIDTH | | |
| TCM50F | 50x577 | - |
| TCM150F | 150x577 | - |
| TCM200F | 200x577 | - |
| TCM300F | 300x577 | - |
| TCM400F | 400x577 | - |

MATERIAL: RAL 9003 white cold-rolled steel.

CHARACTERISTICS: Fixed, bolted to the structure by means of M6 caged nuts and M6x10 anti-twist screws.

Moulded-case circuit breaker cover (MCCB)



| Reference No. | Dimensions | For switch |
|-----------------------|------------|------------|
| HEIGHT X WIDTH | | |
| TMCB200 | 200x577 | MCCB |
| TMCB250 | 250x577 | MCCB |
| TMCB300 | 300x577 | MCCB |
| TMCB400 | 400x577 | MCCB |

Plate + moulded-case circuit breaker (MCCB) support



| Reference No. | Dimensions |
|-----------------------|------------|
| HEIGHT X WIDTH | |
| PMCB200 | 165x385 |
| PMCB250 | 215x385 |
| PMCB300 | 265x385 |
| PMCB350 | 315x385 |

MATERIAL: RAL 9003 painted steel cover. Plate and adjustment elements in 2-mm thick galvanised steel.

CHARACTERISTICS: Cover plus plate system for installing moulded-case circuit breakers (MCCBs) up to 630A. MCCB layout can be horizontal and/or vertical. The supports are height-adjustable.

SUPPLY: The two cover + plate references must be ordered. The plate includes the four supports and all the screws needed for installation.

Upon request, custom machined lids for different types of MCCB or control and measurement elements. Request more information at export@ide.es

DIN rail kit for surface cabinets



| Reference No. | Description | Number of modules |
|---------------|------------------------------------------|-------------------|
| 48013 | DIN rail + supports for surface assembly | 24 |

MATERIAL: Galvanised steel.

CHARACTERISTICS: Mounting system using depth-adjustable clips. 35x15 mm DIN rail.
FOR THE FOLLOWING CABINETS: 40ENL-40SUP-65SUP.

DIN rail kit for flush-fit cabinets



| Reference No. | Description | Number of modules |
|---------------|--------------------------------------------|-------------------|
| 48014 | DIN rail + supports for flush-fit assembly | 24 |

MATERIAL: Galvanised steel.

CHARACTERISTICS: Rail attached directly to the frame. Fixed distance between rails and protection lids.

FOR THE FOLLOWING CABINETS: 40EMP.

Auxiliary modules



| Reference No. | Dimensions | Usable space | For cabinet |
|-----------------|-------------------------------|-----------------------|--------------|
| SIDE | HEIGHT X WIDTH X DEPTH | HEIGHT X WIDTH | |
| MEL4048 | 510x350x212 | 450x209 | 40ENL48-72 |
| MEL4072 | 710x350x212 | 650x209 | 40ENL72-96 |
| MEL4096 | 910x350x212 | 850x209 | 40ENL96-120 |
| MEL40120 | 1110x350x212 | 1050x209 | 40ENL120-168 |
| MEL40144 | 1310x350x212 | 1250x209 | 40ENL144-192 |

| Reference No. | Dimensions | Usable space | For cabinet |
|-----------------|-------------------------------|-----------------------|--------------|
| CENTRAL | HEIGHT X WIDTH X DEPTH | HEIGHT X WIDTH | |
| MEC4048 | 510x350x212 | 450x209 | 40ENL48-72 |
| MEC4072 | 710x350x212 | 650x209 | 40ENL72-96 |
| MEC4096 | 910x350x212 | 850x209 | 40ENL96-120 |
| MEC40120 | 1110x350x212 | 1050x209 | 40ENL120-168 |
| MEC40144 | 1310x350x212 | 1250x209 | 40ENL144-192 |

MATERIAL: RAL 9003 painted sheet steel.

CHARACTERISTICS: Possibility of installing auxiliary side or central module.

Used for the installation of busbars, switches, control equipment etc., leaving more space inside the cabinet.

Opaque door with standard 5-mm double bit lock.

FOR THE FOLLOWING CABINETS: 40ENL.

Cover kit for busbar



| Reference No. | Gap dimensions | Height dimensions | | For cabinet |
|---------------|-----------------------|-------------------|--------------|-----------------------|
| | | LID 1 | LID 2 | |
| | HEIGHT X WIDTH | LID 1 | LID 2 | NO. OF MODULES |
| 48660 | 450x248 | 450 | - | 48 |
| 48661 | 650x248 | 650 | - | 72 |
| 48662 | 850x248 | 850 | - | 96 |
| 48663 | 1050x248 | 600 | 450 | 120 |
| 48664 | 1250x248 | 800 | 450 | 144 |

MATERIAL: RAL 9003 painted sheet steel.

CHARACTERISTICS: All the accessories necessary for assembly are supplied.

They provide additional protection for busbars.

Moulded-case circuit breaker and busbar cover kit



| Reference No. | Dimensions | | | For cabinet |
|---------------|-------------------------------|-------------------------------|-------------------------------|-----------------------|
| | MCCB COVER | BLIND LID | PLATE | |
| | HEIGHT X WIDTH X DEPTH | HEIGHT X WIDTH X DEPTH | HEIGHT X WIDTH X DEPTH | NO. OF MODULES |
| 48700 | 450x248 | - | 300x212 | 48 |
| 48701 | 450x248 | 200x248 | 300x212 | 72 |
| 48702 | 450x248 | 400x248 | 300x212 | 96 |
| 48703 | 450x248 | 600x248 | 300x212 | 120 |
| 48704 | 450x248 | 800x248 | 300x212 | 144 |

MATERIAL: Mounting plate in galvanised steel. RAL 9003 painted steel protection lid.

CHARACTERISTICS: Independent offset lid to prevent interference with the door. Includes mounting plate and height-adjustable support. It is supplied with all the accessories required for installation.

Possibility of fitting the moulded-case circuit breaker (MCCB) up to 630 A in the upright position.

Upon request, custom machined lids for different types of MCCB or control and measurement elements. Request more information at export@ide.es

ATLANTIC

IP40-IP65 steel distribution cabinets accessories

Combination + extension ENL cabinets



| Reference No. | Dimensions | No. of modules | For cabinet |
|--------------------------------|------------|----------------|--------------|
| COMBINABLE SURFACE CAB. | | HEIGHT | |
| EE6751 | 450 | 48 | 40ENL48-72 |
| EE6771 | 650 | 72 | 40ENL72-96 |
| EE6791 | 850 | 96 | 40ENL96-120 |
| EE67111 | 1050 | 120 | 40ENL120-168 |
| EE67113 | 1250 | 144 | 40ENL144-192 |

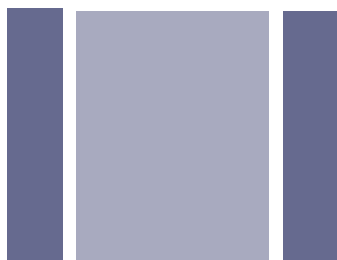
MATERIAL: RAL 9003 painted sheet steel.

CHARACTERISTICS: It permits the connection and extension of ENL-type surface enclosures using a clipping system. It contains the joining structure, plus the cabinet extension. (Door not included).

FOR THE FOLLOWING CABINETS: 40ENL.

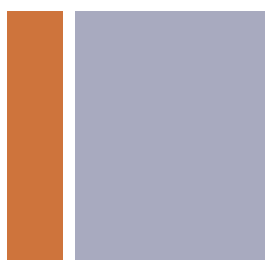
How to join two 40ENL72-96 cabinets

REFERENCES



Ref. Cabinet 40ENL72-96
It includes one rear and two side panels.

+



Ref. Extension EE6771
It includes one rear panel and one joining structure.

>

FINAL SET



Door must be requested separately.

Joining structure for flush-fit cabinets



| Reference No. | Description |
|--------------------------|---------------------------------------------------------|
| FLUSH-FIT CABINET | |
| 48007 | Joining structure for flush-fit cabinets (2-piece pack) |

MATERIAL: Galvanised steel.

CHARACTERISTICS: It is used to join flush-fit enclosures. The piece is secured to the bases, allowing you to run cables between cabinets.

FOR THE FOLLOWING CABINETS: 40EMP.

Trunking support kit



Reference No. Description

VERTICAL

48243 Vertical trunking support (6-piece pack)

MATERIAL: Galvanised steel.

CHARACTERISTICS: Supports for fixing cable-distribution trunking vertically.

Housing for vertical trunking up to 60x60.

Vertical and horizontal trunking supports can be linked together.

SUPPLY: Pack of 6 supports plus fixing screws.

FOR THE FOLLOWING CABINETS: 40SUP-40ENL-40EMP-65SUP.

Reference No. Description

HORIZONTAL

49368 Horizontal trunking support (2-piece pack)

MATERIAL: ABS RAL 7035.

CHARACTERISTICS: Supports for fixing cable-distribution trunking horizontally.

Two horizontal trunking fixing positions for separation between 150 or 200 mm DIN rails.

Vertical and horizontal trunking supports can be linked together.

SUPPLY: Pack of 2 supports plus fixing screws.

FOR THE FOLLOWING CABINETS: 40SUP-40ENL-40EMP-65SUP.



Mounting plates



Ref. PLC



Ref. PLM

Reference No. Dimensions No. of adjustable supports

PARTIAL PLAIN

HEIGHT X WIDTH

| | | |
|---------------|---------|---|
| PLM200 | 200x478 | 1 |
| PLM300 | 300x478 | 1 |
| PLC450 | 450x430 | - |
| PLC600 | 600x430 | - |

TOTAL PLAIN

| | | |
|----------------|----------|---|
| PLM850 | 850x478 | 2 |
| PLM1050 | 1050x478 | 2 |
| PLM1250 | 1250x478 | 2 |

MATERIAL: Mounting plate in 2-mm thick galvanised steel.

CHARACTERISTICS: The mounting elements must be ordered for the height adjustment of the PLM plates: Ref. 48340 for surface cabinets and ref. 94422 for flush-fit cabinets.

FOR THE FOLLOWING CABINETS: 40SUP-40ENL-40EMP-65SUP.

Rail and plate mounting elements

Reference No. Description



Ref. 94422

Ref. 48444

Ref. 48340

94422 Rail and plate mounting element for flush-fit cabinets

48340 Adjustable plate mounting elements for surface cabinets

48444 Rail mounting element for surface cabinets

CHARACTERISTICS: Ref. 48340 only for PLM200 and PLM300 plates.

ATLANTIC

IP40-IP65 steel distribution cabinets accessories

Spare doors



| Reference No. | Description | For cabinet |
|-------------------------------|-------------|-----------------------|
| IP40 FLUSH-FIT CABINET | | NO. OF MODULES |
| P040EMP48-72 | Opaque | 48-72 |
| PT40EMP48-72 | Transparent | 48-72 |
| P040EMP72-96 | Opaque | 72-96 |
| PT40EMP72-96 | Transparent | 72-96 |
| P040EMP96-120 | Opaque | 96-120 |
| PT40EMP96-120 | Transparent | 96-120 |
| P040EMP120-168 | Opaque | 120-168 |
| PT40EMP120-168 | Transparent | 120-168 |
| P040EMP144-192 | Opaque | 144-192 |
| PT40EMP144-192 | Transparent | 144-192 |

| Reference No. | Description | For cabinet |
|---------------------|-------------|-----------------------|
| IP40 SURFACE | | NO. OF MODULES |
| P040SUP48-72 | Opaque | 48-72 |
| PT40SUP48-72 | Transparent | 48-72 |
| P040SUP72-96 | Opaque | 72-96 |
| PT40SUP72-96 | Transparent | 72-96 |
| P040SUP96-120 | Opaque | 96-120 |
| PT40SUP96-120 | Transparent | 96-120 |
| P040SUP120-168 | Opaque | 120-168 |
| PT40SUP120-168 | Transparent | 120-168 |
| P040SUP144-192 | Opaque | 144-192 |
| PT40SUP144-192 | Transparent | 144-192 |

| Reference No. | Description | For cabinet |
|---------------------|-------------|-----------------------|
| IP65 SURFACE | | NO. OF MODULES |
| P065SUP48-72 | Opaque | 48-72 |
| PT65SUP48-72 | Transparent | 48-72 |
| P065SUP72-96 | Opaque | 72-96 |
| PT65SUP72-96 | Transparent | 72-96 |
| P065SUP96-120 | Opaque | 96-120 |
| PT65SUP96-120 | Transparent | 96-120 |
| P065SUP120-168 | Opaque | 120-168 |
| PT65SUP120-168 | Transparent | 120-168 |
| P065SUP144-192 | Opaque | 144-192 |
| PT65SUP144-192 | Transparent | 144-192 |

MATERIAL: RAL 9003 painted sheet steel.

CHARACTERISTICS: Doors supplied with 5-mm 1/4 turn double-bit lock.

Possibility of opaque or transparent door.

FOR THE FOLLOWING CABINETS: 40SUP-40ENL-65SUP-40EMP.

Standard locks



Ref. 48445

Ref. 48446

| Reference No. | Description |
|---------------|-------------|
|---------------|-------------|

| | |
|--------------|--------------------------------|
| 48445 | 5-mm double-bit lock (surface) |
|--------------|--------------------------------|

| | |
|--------------|----------------------------------|
| 48446 | 5-mm double-bit lock (flush-fit) |
|--------------|----------------------------------|

CHARACTERISTICS: Housing manufactured in RAL 7037 polyamide and latch in steel. 5-mm double-bit key not included.

Locks with key



Ref. 48447

Ref. 48448

| Reference No. | Description |
|---------------|-------------|
|---------------|-------------|

| | |
|--------------|-------------------------------------------|
| 48447 | 1/4 turn lock with key code 333 (surface) |
|--------------|-------------------------------------------|

| | |
|--------------|---------------------------------------------|
| 48448 | 1/4 turn lock with key code 333 (flush-fit) |
|--------------|---------------------------------------------|

CHARACTERISTICS: Housing manufactured in RAL 7037 polyamide and latch in steel. Aluminium key with code 333 included (1 pc.). (Ref. 48550 for spare).

Wing nut locks



Ref. 48458

Ref. 48459

Ref. 48542

| Reference No. | Description |
|---------------|-------------|
|---------------|-------------|

| | |
|--------------|---------------------------------------------------------|
| 48458 | 1/4 turn lock with wing nut with key code 333 (surface) |
|--------------|---------------------------------------------------------|

| | |
|--------------|-----------------------------------------------------------|
| 48459 | 1/4 turn lock with wing nut with key code 333 (flush-fit) |
|--------------|-----------------------------------------------------------|

| | |
|--------------|---------------------------------------------------------|
| 48542 | 1/4 turn lock with fixed wing nut without key (surface) |
|--------------|---------------------------------------------------------|

CHARACTERISTICS: Housing manufactured in black polyamide and latch in steel. Aluminium key with code 333 included (1 pc.). (Ref. 48550 for spare).

Keys



Ref. 48550

Ref. 48449

Ref. 48460

| Reference No. | Description |
|---------------|-------------|
|---------------|-------------|

| | |
|--------------|----------------------------------|
| 48449 | 5-mm double-bit key in polyamide |
|--------------|----------------------------------|

| | |
|--------------|------------------------------|
| 48460 | 5-mm double-bit key in zamak |
|--------------|------------------------------|

| | |
|--------------|-----------------------|
| 48550 | 1/4 turn key code 333 |
|--------------|-----------------------|

Wall-mounting support



| Reference No. | Description |
|---------------|-------------|
|---------------|-------------|

| | |
|--------------|-------------------------------------------------|
| 48427 | Galvanised wall-mounting support (4-piece pack) |
|--------------|-------------------------------------------------|

MATERIAL: Galvanised steel.

CHARACTERISTICS: They are attached to the rear part of the cabinet vertically or horizontally.

SUPPLY: 4-support pack.

FOR THE FOLLOWING CABINETS: 40SUP-40ENL-65SUP.

Kit for ICP



| Reference No. | Description | No. of modules |
|---------------|-------------|----------------|
|---------------|-------------|----------------|

| | | |
|--------------|---------------------------|--------|
| 48107 | Kit for flush-fit ICP 63A | ICP+26 |
|--------------|---------------------------|--------|

| | | |
|--------------|-------------------------|--------|
| 48108 | Kit for surface ICP 63A | ICP+30 |
|--------------|-------------------------|--------|

CHARACTERISTICS: The ICP kit covers take up a usable surface in the 300-mm-high cabinet. 35x15 mm DIN rail.

Surface kit: 63A ICP with 2-row protection lid and capacity for 30 modules.

Flush-fit kit: 63A ICP with 2-row protection lid and capacity for 26 modules.

FOR THE FOLLOWING CABINETS: 40SUP-40ENL-40EMP-65SUP.

ATLANTIC PLUS



IP40-IP55 Steel distribution cabinets (192-288 modules)

The ATLANTIC PLUS series has been designed to satisfy the needs of large installations which, due to their construction characteristics, require a specific type of cabinet with average installed capacities, good modular capacity and an attractive design.

They are available in two versions, IP40 detachable and IP55 compact, with a height of 2110 mm and a capacity from 192 to 288 modules. They are designed for use in public premises such as corridors in shopping malls, hospitals, hotels, schools, etc.

IP
40IP
55

CE



ATLANTIC PLUS

ATLANTIC PLUS Technical Specifications

- **Degree of protection:**
Combinable surface cabinets: IP40.
Compact surface cabinets: IP55.
- **Resistance to impact:**
Opaque door: IK10.
Transparent door: IK09.
- **Ambient temperature range:** -25 °C / +40 °C.

ATLANTIC PLUS Certifications

CE

Compliant with the Low Voltage Directive 2014/35/EU.
Standards: UNE-EN 62208 and UNE-EN 61439-1
(as applicable).

ATLANTIC PLUS Electrical properties

- **Max. rated operating voltage (Ue):** 1000 V AC / 1500 V DC.
- **Rated insulation voltage (Ui):** 1000 V AC.
- **Rated impulse withstand voltage (Uimp):** 8 kV
(depending on type of accessory).
- **Current (Ie):** 630 A (depending on type of accessory).
- **Rated short-time withstand current (Icw):** 33 kA 1s.
- **Rated peak withstand current (Ipk):** 69 kA.

ATLANTIC PLUS

IP40-IP55 steel distribution cabinets



Product series

Standard

- IP40 combinable surface cabinets with opaque or transparent door.
- IP55 compact surface cabinets with opaque or transparent door.
- Modular capacity for 1810 mm cabinets: from 192 to 240 modules.
- Modular capacity for 2110 mm cabinets: from 216 to 288 modules.

Supply

IP40 combinable surface cabinets

They are supplied disassembled in a single packaging that contains:

- Enclosure.
- Sides.
- Top and bottom cover.
- Cable-entry cover.
- Frame.
- Plinth.
- Door.
- Accessory bag: Lifting and mounting pack, hinges, covers, cable-gland, screws, key, assembly instructions.

IP55 compact surface cabinets

They are supplied assembled in a single packaging that contains:

- Cabinet.
- Door.
- Frame.
- Plinth.
- Accessory bag: Lifting and mounting pack, covers, cable-gland, screws, key, assembly instructions.

Intended for large facilities in the tertiary and residential sector: shopping centers, hospitals...

Material

- Enclosure, sides, and top and bottom covers made of 1.2-mm thick EN 10130+A1 cold-rolled steel.
- Opaque doors made of 1.2-mm thick EN 10130+A1 cold-rolled steel.
- Transparent doors made of 4-mm thick tempered safety glass.
- Plinth made of EN 10130+A1 cold rolled steel. Side supports: 3-mm thick. Front and side covers 1.2-mm thick.

Finish

- Coated with hardened RAL 9003 epoxy-polyester paint, embossed.

Protection

- Corrosion resistance according to the UNE-EN 62208 standard. For outdoor installations, the effect of the corrosion must be taken into consideration.

Standard painting cycle

- **Degreasing:** Removal of remains of contaminants by means of a neutral stripper and tensoactive concentrate.
- **Rinsing:** Two rinses, the first one with mains water and the second one with demineralised water.
- **Passivation:** Thin-coat conversion agent.
- **Drying:** With hot air (in a tunnel at 100 °C).
- **Painting:** Coated with hardened RAL 9003 epoxy-polyester paint.
- **Firing:** Furnace polymerisation adherence at 180 °C for 15-20 min.

IP40 COMBINABLE SURFACE CABINETS



Enclosure

- Totally assemblable enclosure that is supplied disassembled to give the installer greater versatility and facilitate assembly and wiring.
- The enclosure is a flat component with two profiles, to which all the unit's equipment is secured. The profiles have two 25-mm rectangular cut-out lines to insert caged nuts to secure accessories, and a third line with 3 mm-diameter circular holes for screwing them directly to the wall.
- Lifting and transport system based on two flanges secured to the base of the cabinet, included in the unit.
- The enclosure is totally reversible, and the electrical switchgear can be installed in any position.

Sides

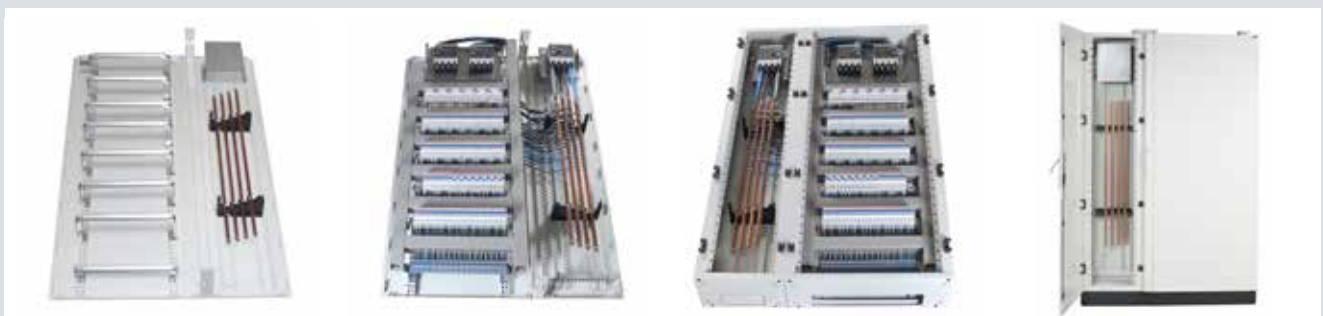
- The sides are secured to the base by means of clips.
- The hinges and retainers are secured to the sides by machined screws. The sides are reversible, and the doors can be opened to the right or to the left.
- The top and bottom covers are secured to the side by means of riveted nuts.

Top and bottom covers

- The cabinet is supplied with a cover for cable entry at the top and the bottom.
- On the top, plastic covers can be fitted that allow the cables to enter secured to the base (even cables attached to trays). It has two riveted nuts in order to secure the lifting supports that are supplied with the unit.
- The bottom cover has a 500x80-mm gap in the centre for the assembly of metal covers for cable entry and also has four riveted bolts for installing the 100-mm plinth included in the unit.
- The two covers, top and bottom, are secured to the side by means of clips, and screws are used to reinforce the joint between cover, side and base.



Enclosures can be joined and auxiliary modules can be installed with a horizontal assembly system that facilitates the installation of switchgear over long spaces and affords the unit excellent rigidity



ATLANTIC PLUS

IP40-IP55 steel distribution cabinets



IP55 COMPACT SURFACE CABINETS

Enclosure

- The enclosure consists of a single piece, with two profiles to which all the unit's equipment is secured.
- The profiles have two 25-mm rectangular cut-out lines to insert caged nuts to secure accessories, and a third line with 3 mm-diameter circular holes for screwing them directly to the wall.
- Lifting and transport system based on two flanges secured to the base of the cabinet, included in the unit.
- The 500x80 mm cable entries are located at the top and bottom.
- The cable entries are covered by means of metal lids secured to the enclosure with machined screws. The cover has a sealing gasket to guarantee IP55 protection.
- A gland is recommended for trunking and cable entry to avoid losing the enclosure's IP protection degree.



Elegance and functionality intended for large facilities for the tertiary sector

COMPONENTS FOR BOTH IP40-IP55 CABINET VERSIONS

Modular frame

- Modular frame for installing modular or blind lids.
- A simple opening-closing system delivers quick and comfortable access to the inside of the enclosure, and the whole frame rotates freely without the need for cover-by-cover opening.
- The frame is reversible in terms of both assembly and opening.
- It has four holes at the front to run the cable to the door and thus guarantee the unit's mass continuity. If the holes are not used, they can be covered with watertight caps.
- The plastic covers are clipped on, and the metal covers are secured to the frame by means of caged nuts and screws. The covers are not included in the unit, and are supplied as an accessory.

Plinth

- All enclosures are supplied with a 100-mm high plinth as standard.
- The plinth consists of two side supports, two side covers and two front covers.
- The side supports are secured to the cabinet structure by means of screws, and there are two housings on the base for securing the cabinet to the floor or ground.

Lifting and mounting flanges

All enclosures are supplied with two flanges used as a lifting and transport system and for subsequent wall-mounting.

Doors

- Possibility of opaque or transparent door.
- Opaque doors made from sheet with a thickness of 1.2 mm.
- Transparent doors made of 4-mm thick tempered safety glass.
- Doors for IP55 cabinets with sealing gasket to guarantee the cabinet's degree of protection.
- All doors are reversible.

Locks

- 4-point lock, double-bit insert with retractable handle in RAL 7016 grey.
- Other types of locks supplied as accessories.



Cover + DIN rail kit

DIN rail for surface cabinets

- Each rail has a standard capacity of 24 modules.
- Omega rail clip-on mounting system.
- Depth-adjustable supports that permit an omega rail height variation in the range of 45 mm. The support has three pre-marked positions corresponding to the three standard heights for modular electrical switchgear.
- Height can be adjusted either prior to delivery or once the sub-assembly has been fitted in the enclosure.
- In order to fit the rails in the right position in the enclosure profiles, a ruler is supplied where the positions of the holes to be used is pre-marked, depending on the number of rails to be installed.

Modular lids

Possibility of plastic and metal lids.

Plastic lids:

- Hinged, they are closed by means of a clipping system; a tool is needed to open the lid, as provided for by the applicable regulations.
- Manufactured in ABS, RAL 9003. Modular lids for 24 modules of 150 mm and 200 mm and blind lids of 50, 150 and 200 mm.

Metal lids:

- Fixed, bolted to the cabinet's structure by means of M6 caged nuts and M6x10 screws.
- Made of RAL 9003 cold-rolled steel.
- Modular lids for 24 modules of 150 and 200 mm. Modular lids with a capacity for 48 modules (2x24) of 300 and 400 mm and blind lids of 50, 150, 200, 300 and 400 mm.

Multiple combinations of modules for the same size of cabinet can be obtained by combining the different protection lids. The cabinets are supplied without lids to afford the installer greater modular versatility.

Distance between rail and lid: 50.5 mm.

Distance between lid and door: 44 mm.

Moulded-case circuit breaker (MCCB) mounting system

- Mounting system comprising a cover, plate and four adjustment supports.
- The layout of the MCCB (up to 630 A) may be horizontal and/or vertical.
- Two cover + plate references must be ordered for proper installation. The plate includes the four adjustable supports and all the screws needed for installation.



ATLANTIC PLUS

IP40-IP55 steel distribution cabinets

IP40 combinable surface cabinets

| Reference No. | Cabinet dimensions (AXBXC) | Usable height space (B) | Modular capacity | Weight KG | Maximum acceptable load KG | Power dissipation according to temperature increase °C P(W)* | | | | |
|----------------|-------------------------------|----------------------------|------------------|--------------|-------------------------------|--------------------------------------------------------------|-------|-------|-------|-------|
| | | | | | | 20 | 25 | 30 | 35 | 40 |
| 40ENL192-240PO | 1810x730x250 | 1600 | 192-240 | 59.2 | 70 | 321.2 | 401.5 | 481.8 | 562.1 | 642.4 |
| 40ENL192-240PT | 1810x730x250 | 1600 | 192-240 | 60.5 | 70 | 321.2 | 401.5 | 481.8 | 562.1 | 642.4 |
| 40ENL216-288PO | 2110x730x250 | 1900 | 216-288 | 66.3 | 85 | 369.8 | 462.2 | 554.6 | 647.1 | 739.5 |
| 40ENL216-288PT | 2110x730x250 | 1900 | 216-288 | 67.7 | 85 | 369.8 | 462.2 | 554.6 | 647.1 | 739.5 |

IP55 compact surface cabinets

| Reference No. | Cabinet dimensions (AXBXC) | Usable height space (B) | Modular capacity | Weight KG | Maximum acceptable load KG | Power dissipation according to temperature increase °C P(W)* | | | | |
|----------------|-------------------------------|----------------------------|------------------|--------------|-------------------------------|--------------------------------------------------------------|-------|-------|-------|-------|
| | | | | | | 20 | 25 | 30 | 35 | 40 |
| 55SUP192-240PO | 1810x730x250 | 1600 | 192-240 | 58.8 | 70 | 321.2 | 401.5 | 481.8 | 562.1 | 642.4 |
| 55SUP192-240PT | 1810x730x250 | 1600 | 192-240 | 60.1 | 70 | 321.2 | 401.5 | 481.8 | 562.1 | 642.4 |
| 55SUP216-288PO | 2110x730x250 | 1900 | 216-288 | 66.5 | 85 | 369.8 | 462.2 | 554.6 | 647.1 | 739.5 |
| 55SUP216-288PT | 2110x730x250 | 1900 | 216-288 | 67.9 | 85 | 369.8 | 462.2 | 554.6 | 647.1 | 739.5 |

RAL 9003 rolled steel.

Cabinets supplied with modular frame, without lids or DIN rail.

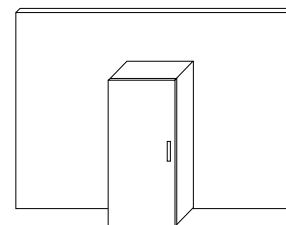
Plinth included in the unit. The dimensions include the 100-mm plinth.

Cabinets supplied with door; PO: opaque door - PT: transparent door.

* Calculations obtained according to the CEI 890:1997 standard + Corrigendum 1998; "Method of temperature-rise assessment by extrapolation for partially type-tested assemblies (PTTA) of low-voltage switchgear and control gear".

SEE DIMENSIONS ON [PAGES 340-341](#).

SEE ACCESSORIES ON [PAGE 342](#).



Multiple module combinations for a single cabinet size



IP40 combinable opaque door



IP40 combinable transparent door



IP55 compact opaque door



IP55 compact with frame

DIN rail kit



Reference No. Description

48242 DIN rail 24 modules + assembly supports

MATERIAL: Galvanised steel.

CHARACTERISTICS: Mounting system using depth-adjustable clips. 35x15 mm DIN rail.

FOR THE FOLLOWING CABINETS: 40ENL-55SUP.

Hinged plastic covers



Reference No. Dimensions Number of modules

MODULAR HEIGHT X WIDTH

TM150 150x577 24

TM200 200x577 24

BLIND HEIGHT X WIDTH

TC50 50x577 -

TC150 150x577 -

TC200 200x577 -

MATERIAL: ABS RAL 9003 white.

CHARACTERISTICS: Hinged and reversible. They are closed by means of a clipping system.

Fixed metal covers



Reference No. Dimensions Number of modules

FIXED MODULAR HEIGHT X WIDTH

TMM150F 150x577 24

TMM200F 200x577 24

TMM300F 300x577 2 x 24

TMM400F 400x577 2 x 24

FIXED BLIND HEIGHT X WIDTH

TCM50F 50x577 -

TCM150F 150x577 -

TCM200F 200x577 -

TCM300F 300x577 -

TCM400F 400x577 -

MATERIAL: RAL 9003 white cold-rolled steel.

CHARACTERISTICS: Fixed, bolted to the structure by means of M6 caged nuts and M6x10 anti-twist screws. Hinged lids available to order.

Moulded-case circuit breaker cover (MCCB)



Reference No. Dimensions For switch

HEIGHT X WIDTH

TMCB200 200x577 MCCB

TMCB250 250x577 MCCB

TMCB300 300x577 MCCB

TMCB400 400x577 MCCB

Plate + moulded-case circuit breaker (MCCB) support



PMCB200 165x385 -

PMCB250 215x385 -

PMCB300 265x385 -

PMCB350 315x385 -

MATERIAL: RAL 9003 painted steel cover. Plate and adjustment elements in 2-mm thick galvanised steel.

CHARACTERISTICS: Cover plus plate system for installing moulded-case circuit breakers (MCCBs) up to 630 A. MCCB layout can be horizontal and/or vertical. The supports are height-adjustable.

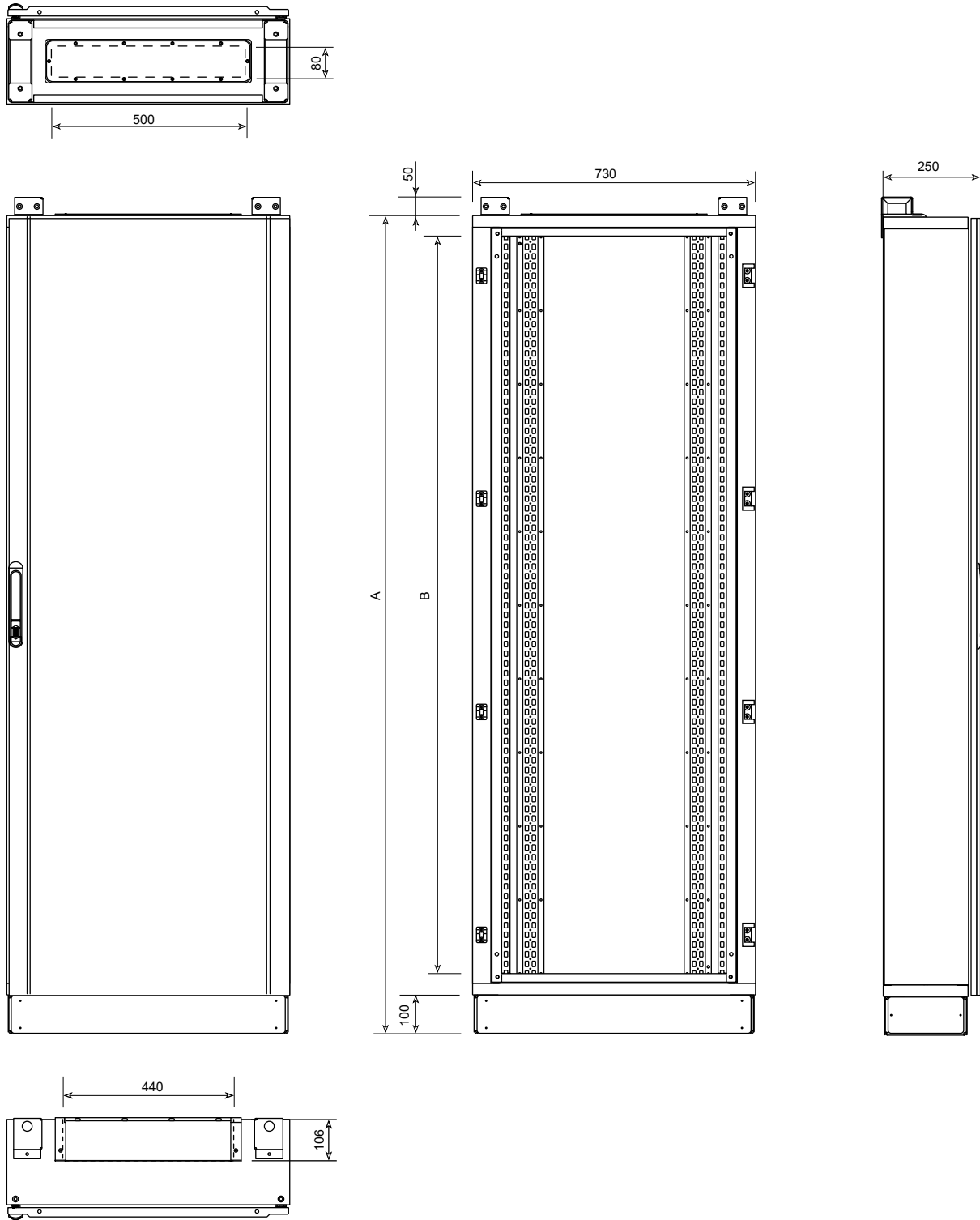
SUPPLY: The two cover + plate references must be ordered. The plate includes the four supports and all the screws needed for installation.

Upon request, custom machined lids for different types of MCCB or control and measurement elements. Request more information at export@ide.es

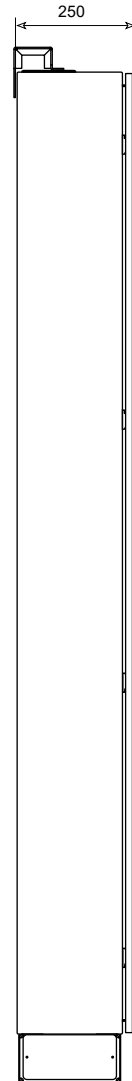
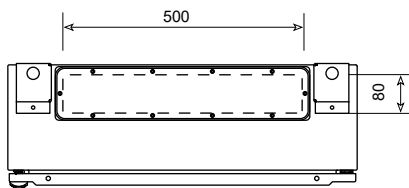
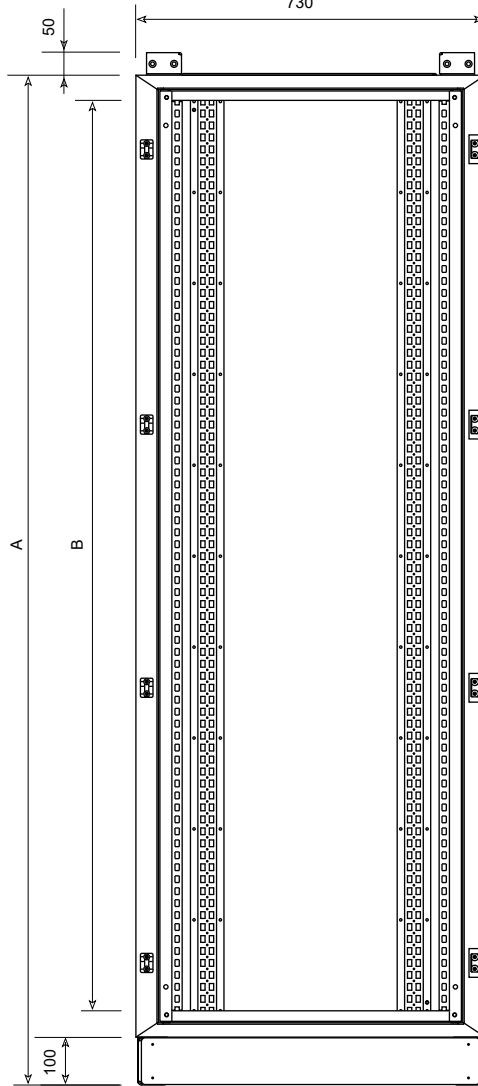
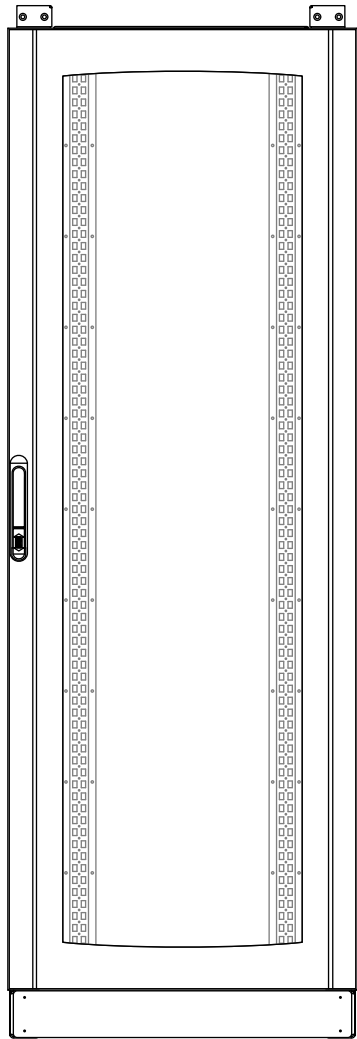
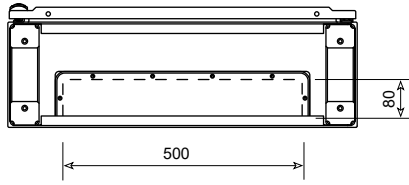
ATLANTIC PLUS

IP40-IP55 steel distribution cabinets

Dimensions: IP40 combinable cabinets



Dimensions: IP55 compact cabinets



ATLANTIC PLUS

IP40-IP55 steel distribution cabinet accessories

Auxiliary module



| Reference No. | Dimensions | Usable space | For cabinet |
|-----------------|--------------------|--------------|--------------|
| | HEIGHTXWIDTHXDEPTH | HEIGHT | |
| ME401810 | 1810x430x250 | 1650 | 40ENL192-240 |
| ME402110 | 2110x430x250 | 1950 | 40ENL216-288 |

MATERIAL: RAL 9003 painted sheet steel.

CHARACTERISTICS: Possibility of installing side or central auxiliary module.

The cabinet and auxiliary module are joined by means of a jumper, leaving free inner passage space.

Used for the installation of busbars, switches, control equipment etc., leaving more space inside the cabinet.

Opaque door with a standard 4-point lock, double-bit insert with retractable handle in RAL 7016 grey.

FOR THE FOLLOWING CABINETS: 40ENL.



Accessories for auxiliary module



Upon request, custom machined lids for different types of MCCB or control and measurement elements. Request more information at export@ide.es

| Reference No. | Dimensions | Dimensions | |
|---------------|----------------------------------|------------|---------|
| | | PLATE | COVER |
| 48705 | Moulded-case circuit breaker kit | 300x273 | 450x303 |

MATERIAL: Mounting plate in galvanised steel. RAL 9003 painted steel protection cover.
CHARACTERISTICS: It features a protective cover and mounting plate with adjustment supports included. Possibility of fitting the moulded-case circuit breaker (MCCB) up to 630 A in the upright position.

FOR THE AUXILIARY MODULE: ME.



| Reference No. | Dimensions |
|-------------------------------------|-----------------------|
| PROTECTIVE COVERS FOR BUSBAR | HEIGHT X WIDTH |
| 48370 | 300x303 |
| 48371 | 450x303 |
| 48372 | 600x303 |
| 48266 | 1200x303 |
| 48267 | 1500x303 |

MATERIAL: RAL 9003 painted sheet steel.

CHARACTERISTICS: Partial covers to divide the protection area into sectors. All the accessories necessary for assembly are supplied. They provide the switchgear and other devices inside the auxiliary cabinet with additional protection.

FOR THE AUXILIARY MODULE: ME.

ATLANTIC PLUS

IP40-IP55 steel distribution cabinet accessories

Combination + extension ENL cabinets



| Reference No. | Dimensions (mm) | For cabinet |
|-----------------|-----------------|----------------|
| HEIGHT | | |
| EE1810PO | 1810 | 40ENL192-240PO |
| EE2110PO | 2110 | 40ENL216-288PO |
| EE1810PT | 1810 | 40ENL192-240PT |
| EE2110PT | 2110 | 40ENL216-288PT |

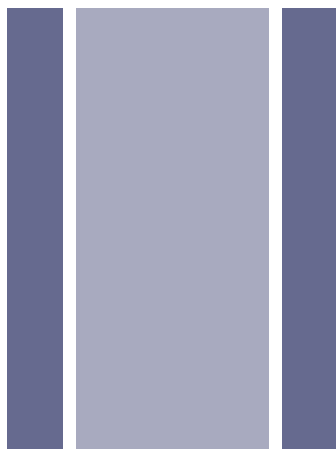
MATERIAL: RAL 9003 painted sheet steel.

CHARACTERISTICS: It permits the connection and extension of ENL-type surface enclosures using a clipping system. It contains the joining structure plus the cabinet and door extension.

FOR THE FOLLOWING CABINETS: 40ENL.

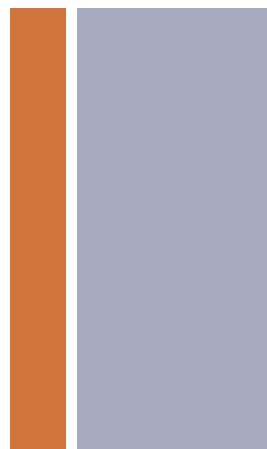
How to join two 40ENL192-240PO cabinets

REFERENCES



Ref. Cabinet 40ENL192-240PO
It includes one rear and two side panels.

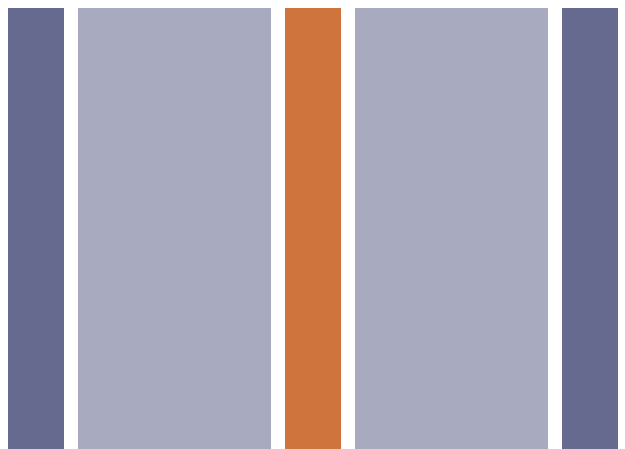
+



Ref. Extension EE1810PO
It includes one rear panel and one joining structure.

>

FINAL SET



Door included.

Trunking support kit



| Reference No. | Description |
|---------------|-------------|
|---------------|-------------|

VERTICAL

| | |
|--------------|------------------------------------------|
| 48243 | Vertical trunking support (6-piece pack) |
|--------------|------------------------------------------|

MATERIAL: Galvanised steel.

CHARACTERISTICS: Supports for fixing cable-distribution trunking vertically. Housing for vertical trunking up to 60x60.

Vertical and horizontal trunking supports can be linked together.

SUPPLY: Pack of 6 supports plus fixing screws.

FOR THE FOLLOWING CABINETS: 40ENL-55SUP.

| Reference No. | Description |
|---------------|-------------|
|---------------|-------------|

HORIZONTAL

| | |
|--------------|--------------------------------------------|
| 49368 | Horizontal trunking support (2-piece pack) |
|--------------|--------------------------------------------|

MATERIAL: ABS RAL 7035.

CHARACTERISTICS: Supports for fixing cable-distribution trunking horizontally.

Two horizontal trunking fixing positions for separation between 150 or 200 mm DIN rails.

Vertical and horizontal trunking supports can be linked together.

SUPPLY: Pack of 2 supports plus fixing screws.

FOR THE FOLLOWING CABINETS: 40ENL-55SUP.



Mounting plates



| Reference No. | Dimensions | No. of adjustable elements needed |
|---------------|------------|-----------------------------------|
|---------------|------------|-----------------------------------|

PARTIAL PLAIN

HEIGHTXWIDTH

| | | |
|---------------|---------|---|
| PLM200 | 200x478 | 1 |
| PLM300 | 300x478 | 1 |
| PLM400 | 400x478 | 2 |

TOTAL PLAIN

| | | |
|----------------|----------|---|
| PLM1600 | 1650x500 | 3 |
| PLM1900 | 1950x500 | 3 |

MATERIAL: Mounting plate in 2-mm thick galvanised steel.

CHARACTERISTICS: The mounting elements must be ordered for the height adjustment: ref. 48340.

FOR THE FOLLOWING CABINETS: 40ENL-55SUP.

| Reference No. | Description |
|---------------|-------------|
|---------------|-------------|

PLATE MOUNTING ELEMENTS

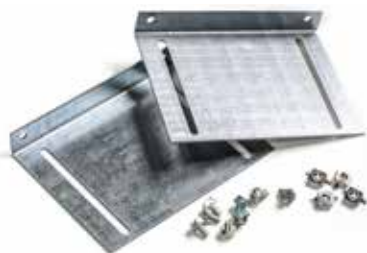
| | |
|--------------|------------------------------------|
| 48340 | Adjustable plate mounting elements |
|--------------|------------------------------------|

MATERIAL: Galvanised steel.

CHARACTERISTICS: All the accessories necessary for assembly are supplied.

They are used to adjust plate depth in surface cabinets.

FOR THE FOLLOWING CABINETS: 40ENL-55SUP.



Lifting and mounting elements

| Reference No. | Description |
|---------------|-------------|
|---------------|-------------|

| | |
|--------------|------------------------------------------|
| 48244 | Lifting and mounting pack (2-piece pack) |
|--------------|------------------------------------------|

| | |
|--------------|------------------------------------------------------|
| 48245 | Connection, lifting and mounting pack (1-piece pack) |
|--------------|------------------------------------------------------|

MATERIAL: RAL 9003 painted sheet steel.

CHARACTERISTICS: All enclosures are supplied with two flanges, Ref. 48244, to be used as a lifting and transport system and for subsequent wall-mounting.

Ref. 48245 also reinforces the connection between combinable cabinets.

FOR THE FOLLOWING CABINETS: 40ENL-55SUP.



ATLANTIC PLUS

IP40-IP55 steel distribution cabinet accessories

Spare doors



| Reference No. | Description | For cabinet |
|------------------------|-------------|-----------------------|
| IP40 COMBINABLE | | NO. OF MODULES |
| P040ENL192 | Opaque | 192-240 |
| PT40ENL192 | Transparent | 192-240 |
| P040ENL216 | Opaque | 216-288 |
| PT40ENL216 | Transparent | 216-288 |

| Reference No. | Description | For cabinet |
|---------------------|-------------|-----------------------|
| IP55 COMPACT | | NO. OF MODULES |
| P055SUP192 | Opaque | 192-240 |
| PT55SUP192 | Transparent | 192-240 |
| P055SUP216 | Opaque | 216-288 |
| PT55SUP216 | Transparent | 216-288 |



| Reference No. | Description | For cabinet |
|------------------------|-------------|---------------|
| FOR AUX. MODULE | | HEIGHT |
| POME1810 | Opaque | 1810 |
| POME2110 | Opaque | 2110 |

MATERIAL: RAL 9003 painted sheet steel.

CHARACTERISTICS: They feature a standard 4-point lock, double-bit insert with retractable handle in RAL 7016 grey.

For cabinets, possibility of opaque or transparent door.

Only available in opaque door for auxiliary module.

FOR THE FOLLOWING CABINETS: 40ENL-55SUP-ME.

Standard lock



Ref. 48522 Ref. 48523

| Reference No. | Description |
|---------------|----------------------------------------------------|
| 48522 | 1/4 turn lock + RAL 7016 handle (without rods) |
| 48523 | Lock with padlock + RAL 7016 handle (without rods) |

CHARACTERISTICS: Reference 48522: 4-point lock, double-bit insert with retractable handle in RAL 7016 grey. 5-mm double-bit key in zamak not included. (Ref. 48460)
Reference 48523: Padlock not included.

These references do not include the inside lock plus rods, which must be ordered separately, depending on the height of the cabinet.

Inserts for lock with handle



Ref. 48463 Ref. 48464 Ref. 48465

| Reference No. | Description |
|---------------|---------------------------------------------|
| 48541 | Triangular insert lock + triangular key 6.5 |
| 48463 | Triangular insert lock + triangular key 8 |
| 48464 | Keyless pressure insert lock |
| 48465 | Security insert lock with key code 333 |
| 48585 | Security insert lock with key code 405 |
| 48588 | Security insert lock with key code 1242E |

Key



| Reference No. | Description |
|---------------|------------------------------|
| 48460 | 5-mm double-bit key in zamak |

Packs for doors



| Reference No. | Description |
|----------------------|---------------------------------------|
| INTERNAL LOCK | |
| 48484 | Internal lock, double door + rod 1800 |
| 48485 | Internal lock, double door + rod 2000 |

MATERIAL: Handle made of polyamide with fibreglass.

CHARACTERISTICS: 2-point ¼ turn interior lock. Rods included depending on the height of the cabinet.

FOR THE FOLLOWING CABINETS: 40ENL-55SUP.



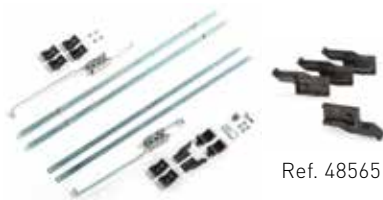
Ref. 48461 Ref. 48482

| Reference No. | Description |
|-----------------------------|------------------------------------|
| HINGES AND RETAINERS | |
| 48461 | Standard 120° hinge (4-piece pack) |
| 48482 | Lock retainer (4-piece pack) |

MATERIAL: Zamak.

SUPPLY: 4-piece pack.

FOR THE FOLLOWING CABINETS: 40ENL-55SUP.



Ref. 48565

| Reference No. | Description |
|-----------------------|--------------------------------|
| RODS FOR LOCKS | |
| 48560 | Single door rod 1800 mm height |
| 48561 | Single door rod 2000 mm height |
| 48565 | Rod end (4-piece pack) |

MATERIAL: Galvanised steel.

CHARACTERISTICS: They must be ordered for the installation of locks with handle.

FOR THE FOLLOWING CABINETS: 40ENL-55SUP.

DIAMANT



IP40 flush-fit distribution boxes

The distribution boxes of the Diamant series are specially designed for the tertiary and residential sectors. With a capacity from 36 to 84 modules, the installer has great versatility and modular capacity.

Available in two different versions, to be recessed in hollow or in brick walls.

They have a very neat aesthetic that adapts perfectly to all environments.



DIAMANT Technical specifications

- **Degree of protection:** IP40.
- **Resistance to impact:** IK08.
- **Glow wire resistance:**
 - Brick walls: 650 °C.
 - Hollow walls: 850 °C.
- **Ambient temperature range:** -25 °C / +40 °C.
- **Maximum operating voltage:** 1000 V AC / 1500 V DC.
- **Double insulation:** Class II.

DIAMANT Certifications



Compliant with the Low Voltage Directive 2014/35/EU.
Standards: EN 60670-24 and IEC 61439-1-3 (as applicable).

Neat aesthetic that adapts perfectly to all environments

DIAMANT

IP40 Flush-fit distribution boxes



Product range

- Modular capacity of 36, 42, 54, 72, 84 and 108 modules.
- Flush-mounted boxes:
 - Brick walls.
 - Hollow walls.
- White door.

Materials

- Halogen-free plastic materials.
- Flush-mounted bases:
 - In brick walls: PS.
 - In hollow walls: PS V0 RAL 7035 grey.
- Frame and white door: PS RAL 9003.

Supply

- Supplied in individual packaging. When several items are sent together, they are bundled together with transparent film.
- Supplied with all the elements assembled, except for the elements supplied in the accessory bag.
- **Accessories bag:**
 - 4x12 bolts.
 - 4x13 bolts.
 - Caps for 4x13 bolts.
 - Hollow wall fasteners.
 - Linking pieces (for boxes with 72-84-108 modules).
 - Cover for white modules (6 modules).
 - Module identification strip.
 - Instructions for assembly.

Available in two different versions, to be recessed in hollow or in brick walls



Base and cable entry

- Flush-mounted bases in brick walls manufactured in PS and flush-mounted bases in hollow walls manufactured in PS V0 RAL 7035 high impact grey.
- Easy-break entry holes on the upper, side and lower faces which facilitate the entry of cables and tubes of different diameters, with the option to tie these cables and tubes to the base in boxes with 36, 72, 54 and 108 modules.
- The cut-outs in the bottom of the base provide access to M24, and M32 tubes, and the double grooves permit the insertion of self-tapping screws with a diameter of 3.6 mm for increased versatility when configuring the interior of the casing.
- The upper and lower part of the base come with specific supports for mounting the neutral and earth bars.



Frame-base closure

- Wave-shaped frame for perfect integration in ambients where the appearance is fundamental.
- Frame-base fastening using 4x13 bolts. Plastic caps are supplied with the casing for covering the fastening bolts.
- The front has a space for attaching a module identification label, and covered module spaces, with pre-marked covers, for the easy assembly of different configurations of circuit breakers.
- The frame is larger than the base in order to cover any possible imperfections resulting from the flush-mounting.

Attachment of DIN rail

- Rails joined together with single metal frame, fastened to the base with 4x12 bolts.
- The base should be flush-mounted with the frame in place to provide greater strength and to reinforce the box during the flush-mounting process.



Wall mounting

- For flush-mounting in brick walls, the bases have horizontal and vertical ribs around the outer perimeter. Once the base has been mounted and the spaces filled with sealant, seal the base to the wall to prevent it from being pulled off by the weight of the interior wiring.
- For the flush-mounting in plasterboard hollow walls, the base has wings on the corners which, together with the assembly kit, make it possible to mount it on a hollow wall.
- The installation kit for hollow walls contains metal bolts with a diameter of \varnothing 3.5 mm and plastic elevation clips.
- The base also has ribs on the inner and outer walls to prevent damage caused by the pressure of the flush-mounting.



Doors

- Wave-shaped white door for perfect integration in ambients where the appearance is fundamental.
- All the doors are reversible, opening and closing with a horizontal rotation, opening to a 180° opening and closing with a clip system.

Connection of casings

- Option to connect boxes with the same modular capacity, in horizontal or vertical direction.
- Linking pieces supplied with the boxes with 72, 84 and 108 modules, for the connection, as the boxes are not supplied joined together to facilitate transport and storage.
- The linking pieces are pressure-fitted onto the casing, without the need to use tools during the assembly.
- The distance between casings once they have been connected and mounted is minimum.

DIAMANT

IP40 Flush-fit distribution boxes

IP40 distribution boxes. Flush-fit brick walls

| Reference | Composition | No. of modules | External dimensions | Dimensions of the flush-fit gap | Weight | Power dissipation according to temperature increase °C P(W)* | | | | |
|-----------------|---------------|----------------|---------------------|---------------------------------|--------|--------------------------------------------------------------|------|------|------|-------|
| | | | | | | 20 | 25 | 30 | 35 | 40 |
| DFF36PO | DFF36 | 2x18 (36) | 380x424x105 | 345x394x72 | 2.0 | 19.2 | 24.1 | 28.9 | 33.7 | 38.5 |
| DFF42PO | DFF42 | 3x14 (42) | 532x334x105 | 504x305x72 | 2.3 | 21.3 | 26.6 | 31.9 | 37.2 | 42.5 |
| DFF54PO | DFF54 | 3x18 (54) | 532x408x105 | 497x376x72 | 2.9 | 25.4 | 31.7 | 38.1 | 44.4 | 50.8 |
| DFF72PO | DFF36 + DFF36 | 4x18 (72) | 380x851x105 | 345x823x72 | 4.1 | 38.5 | 48.1 | 57.7 | 67.3 | 77.0 |
| DFF84PO | DFF42 + DFF42 | 6x14 (84) | 532x668x105 | 504x644x72 | 4.8 | 42.5 | 53.2 | 63.8 | 74.5 | 85.1 |
| DFF108PO | DFF54 + DFF54 | 6x18 (108) | 532x817x105 | 497x789x72 | 5.9 | 50.8 | 63.5 | 76.2 | 88.9 | 101.6 |

HALOGEN-FREE PLASTIC MATERIALS

Made in PS. Frame and door white RAL 9003.

Glow wire resistance: 650 °C.

IP40 - Flush-fit brick walls.

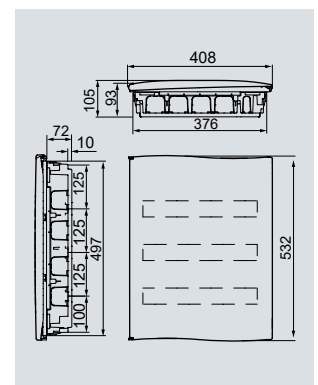
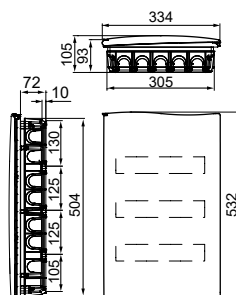
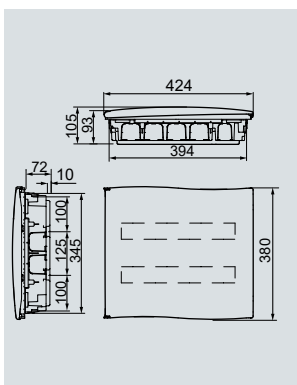
* Calculations obtained according to the CEI 890:1997 standard + Corrigendum 1998; "Method of temperature-rise assessment by extrapolation for partially type-tested assemblies (PTTA) of low-voltage switchgear and control gear".



**2x18 (36) modules
DFF36PO**

**3x14 (42) modules
DFF42PO**

**3x18 (54) modules
DFF54PO**



IP40 distribution boxes. **Flush-fit brick walls.** With neutral and earth bars

| Reference | Composition | No. of modules | External dimensions | Dimensions of the flush-fit gap | Weight | Power dissipation according to temperature increase °C P(W)* | | | | |
|--------------------|---------------|----------------|---------------------|---------------------------------|--------|--------------------------------------------------------------|------|------|------|-------|
| | | | | | | HEIGHT X WIDTH X DEPTH | KG | 20 | 25 | 30 |
| DFF36PO/RR | DFF36 | 2x18 (36) | 380x424x105 | 345x394x72 | 2.3 | 19.2 | 24.1 | 28.9 | 33.7 | 38.5 |
| DFF42PO/RR | DFF42 | 3x14 (42) | 532x334x105 | 504x305x72 | 2.6 | 21.3 | 26.6 | 31.9 | 37.2 | 42.5 |
| DFF54PO/RR | DFF54 | 3x18 (54) | 532x408x105 | 497x376x72 | 3.3 | 25.4 | 31.7 | 38.1 | 44.4 | 50.8 |
| DFF72PO/RR | DFF36 + DFF36 | 4x18 (72) | 380x851x105 | 345x823x72 | 4.7 | 38.5 | 48.1 | 57.7 | 67.3 | 77.0 |
| DFF84PO/RR | DFF42 + DFF42 | 6x14 (84) | 532x668x105 | 504x644x72 | 5.4 | 42.5 | 53.2 | 63.8 | 74.5 | 85.1 |
| DFF108PO/RR | DFF54 + DFF54 | 6x18 (108) | 532x817x105 | 497x789x72 | 6.7 | 50.8 | 63.5 | 76.2 | 88.9 | 101.6 |

HALOGEN-FREE PLASTIC MATERIALS

Made in PS. Frame and door white RAL 9003.

Glow wire resistance: 650 °C.

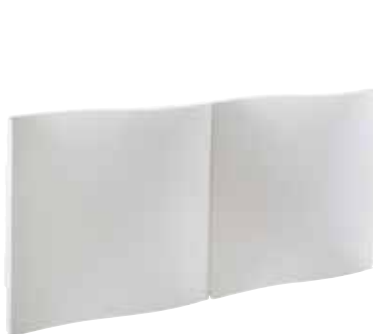
/RR: With neutral and earth bars.

IP40 - Flush-fit brick walls.

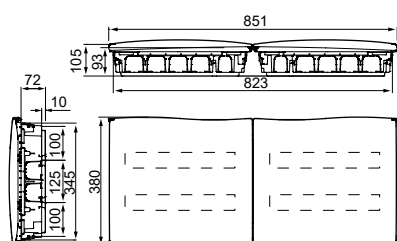
* Calculations obtained according to the CEI 890:1997 standard + Corrigendum 1998; "Method of temperature-rise assessment by extrapolation for partially type-tested assemblies (PTTA) of low-voltage switchgear and control gear".

Doors

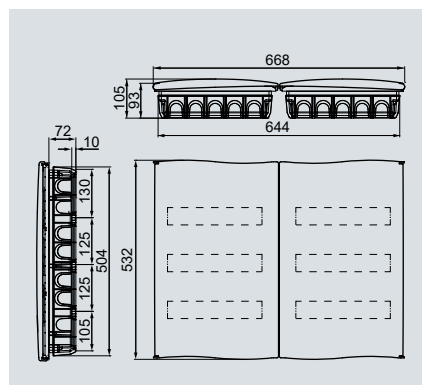
| | |
|--------------------------|--------------|
| For DFF36PO and DFF72PO | PBI28 |
| For DFF42PO and DFF84PO | PBI32 |
| For DFF54PO and DFF108PO | PBI44 |



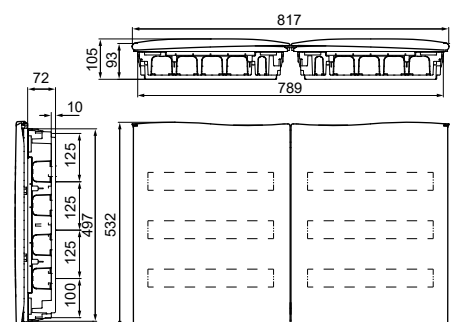
**4x18 (72) modules
DFF72PO**



**6x14 (84) modules
DFF84PO**



**6x18 (108) modules
DFF108PO**



DIAMANT

IP40 Flush-fit distribution boxes

IP40 distribution boxes. Flush-fit hollow walls

| Reference | Composition | No. of modules | External dimensions | Dimensions of the flush-fit gap | Weight | Power dissipation according to temperature increase °C P(W)* | | | | |
|--------------------|---------------|----------------|---------------------|---------------------------------|--------|--------------------------------------------------------------|------|------|------|-------|
| | | | | | | HEIGHT X WIDTH X DEPTH | KG | 20 | 25 | 30 |
| DFF36PO/PH | DFF36 | 2x18 (36) | 380x424x105 | 345x394x72 | 2.0 | 19.2 | 24.1 | 28.9 | 33.7 | 38.5 |
| DFF42PO/PH | DFF42 | 3x14 (42) | 532x334x105 | 500x305x72 | 2.6 | 21.3 | 26.6 | 31.9 | 37.2 | 42.5 |
| DFF54PO/PH | DFF54 | 3x18 (54) | 532x408x105 | 497x376x72 | 3.0 | 25.4 | 31.7 | 38.1 | 44.4 | 50.8 |
| DFF72PO/PH | DFF36 + DFF36 | 4x18 (72) | 380x851x105 | 345x823x72 | 4.2 | 38.5 | 48.1 | 57.7 | 67.3 | 77.0 |
| DFF84PO/PH | DFF42 + DFF42 | 6x14 (84) | 532x668x105 | 504x644x72 | 5.3 | 42.5 | 53.2 | 63.8 | 74.5 | 85.1 |
| DFF108PO/PH | DFF54 + DFF54 | 6x18 (108) | 532x817x105 | 497x789x72 | 6.2 | 50.8 | 63.5 | 76.2 | 88.9 | 101.6 |

HALOGEN-FREE PLASTIC MATERIALS

Made in PS. Frame and door white RAL 9003.

Base in grey V0 PS RAL 7035.

Glow wire resistance: 850 °C.

IP40 - Flush-fit hollow walls.

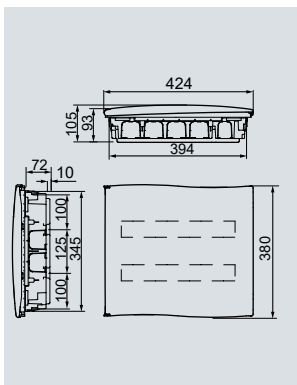
* Calculations obtained according to the CEI 890:1997 standard + Corrigendum 1998; "Method of temperature-rise assessment by extrapolation for partially type-tested assemblies (PTTA) of low-voltage switchgear and control gear".

Accessories

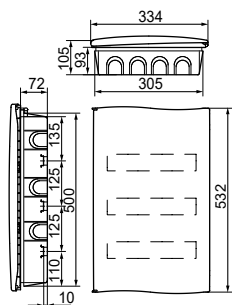
| | Ref. |
|-----------------------------------------------|--------------|
| White module cover (6 mod.) | 77600 |
| Fixing claws for hollow walls flush-fit boxes | 22100 |
| Link piece for flush-fit boxes | 22103 |



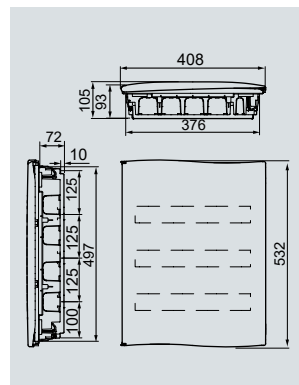
2x18 (36) modules
DFF36PO/PH



3x14 (42) modules
DFF42PO/PH



3x18 (54) modules
DFF54PO/PH



IP40 distribution boxes. **Flush-fit hollow walls.** With neutral and earth bars

| Reference | Composition | No. of modules | External dimensions | Dimensions of the flush-fit gap | Weight | Power dissipation according to temperature increase °C P(W)* | | | | |
|-----------------------|---------------|----------------|---------------------|---------------------------------|--------|--------------------------------------------------------------|------|------|------|-------|
| | | | | | | HEIGHT X WIDTH X DEPTH | KG | 20 | 25 | 30 |
| DFF36PO/PH/RR | DFF36 | 2x18 (36) | 380x424x105 | 345x394x72 | 2.3 | 19.2 | 24.1 | 28.9 | 33.7 | 38.5 |
| DFF42PO/PH/RR | DFF42 | 3x14 (42) | 532x334x105 | 504x305x72 | 2.9 | 21.3 | 26.6 | 31.9 | 37.2 | 42.5 |
| DFF54PO/PH/RR | DFF54 | 3x18 (54) | 532x408x105 | 497x376x72 | 3.4 | 25.4 | 31.7 | 38.1 | 44.4 | 50.8 |
| DFF72PO/PH/RR | DFF36 + DFF36 | 4x18 (72) | 380x851x105 | 345x823x72 | 4.8 | 38.5 | 48.1 | 57.7 | 67.3 | 77.0 |
| DFF84PO/PH/RR | DFF42 + DFF42 | 6x14 (84) | 532x668x105 | 504x644x72 | 5.9 | 42.5 | 53.2 | 63.8 | 74.5 | 85.1 |
| DFF108PO/PH/RR | DFF54 + DFF54 | 6x18 (108) | 532x817x105 | 497x789x72 | 7.0 | 50.8 | 63.5 | 76.2 | 88.9 | 101.6 |

HALOGEN-FREE PLASTIC MATERIALS

Made in PS. Frame and door white RAL 9003.

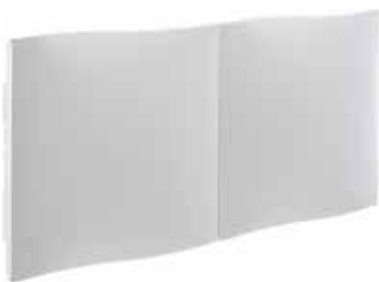
Base in grey V0 PS RAL 7035.

Glow wire resistance: 850 °C.

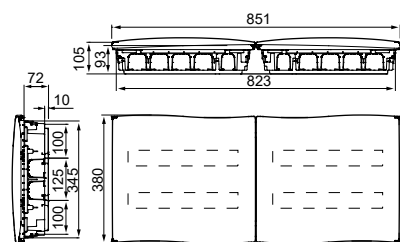
/RR: With neutral and earth bars.

IP40 - Flush-fit hollow walls.

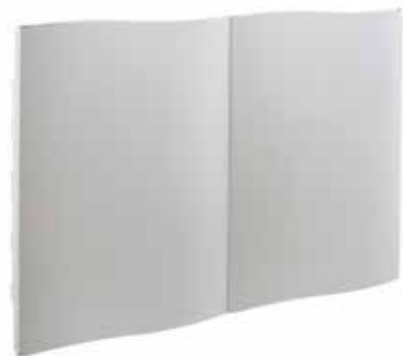
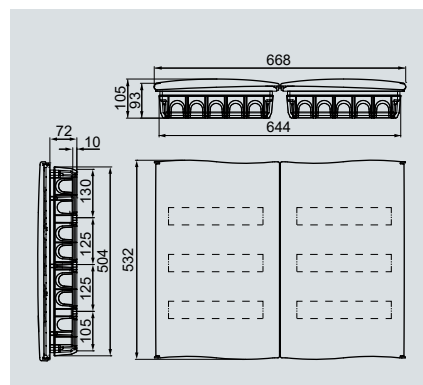
* Calculations obtained according to the CEI 890:1997 standard + Corrigendum 1998; "Method of temperature-rise assessment by extrapolation for partially type-tested assemblies (PTTA) of low-voltage switchgear and control gear".



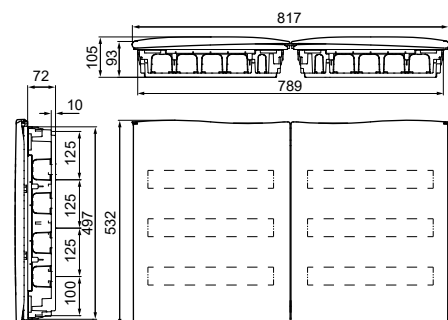
4x18 (72) modules
DFF72PO/PH



6x14 (84) modules
DFF84PO/PH



6x18 (108) modules
DFF108PO/PH



DOMOS-K



Flush-fit wiring and junction boxes (Hollow walls)

Wiring and junction boxes specially designed to be installed in prefabricated walls (such as plasterboard, wood, fibreboard, etc.).

Manufactured with high-quality and high-strength materials that make installation and flush-fitting easy. Designed for circuits whose voltage is not greater than 400 V in alternating current and a maximum current of 16 A.



DOMOS-K Technical Specifications

- Glow wire resistance: 850 °C.
- Ambient temperature range: -5 °C / +40 °C.
- Maximum operating voltage: 400 V.

DOMOS-K Certifications



Compliant with the Low Voltage Directive 2014/35/EU.
Standards: UNE-EN 60670-1-22.

Intended for tertiary and residential sectors, to be installed in walls made of plaster materials

DOMOS-K

Flush-fit wiring and junction boxes



Product series

- 5 models for wiring boxes of 1, 2, 3, 4 and 5 crowns.
- 3 models for junction boxes.

Material

- Self-extinguishing PVC.
- Colour: Yellow base.
- RAL 9003 white cover.

Supply

- Supplied in boxes per packaging multiple.
- D70-type boxes include:
 - Screws for mounting in hollow walls already mounted.
 - Partition (except reference D70/1K).
- CT-type boxes include:
 - Screw-on cover and screws for hollow wall-mounting mounted.
- CT115/K reference includes a partition.
- All the references are supplied with the screws already mounted.

Side and rear entries with double elastic material injection for maximum insulation



Wiring boxes. Base

- They have a circular shape with a 60-mm separation between screws on the inside, thus fulfilling the standard distances for the different mechanisms.
- All the references have entries manufactured with elastic material, permitting the installation of 16, 20 and 25 mm pipes.
- Guaranteed airtight, even with a cable or pipe installed, thus preventing currents of air through the installation.
- The boxes are mounted with 45-mm-long screws with latch and triple thread for quick installation. These screws are supplied assembled in all references.
- At the rear, at the bottom of the multiple boxes, there are guides to make it easier to mark the drill hole position on the wall, thus facilitating installation.
- The references 1K and 2K have a protective cover, supplied as an accessory (Ref. 45915 and 45916) to prevent plaster from getting inside the enclosure during flush-fitting and plastering.
- All references (except 1K) have a partition between crowns.



Junction boxes. Base

- The flush-fit junction boxes have easy-to-remove knock-outs on the side walls for the entry of 8, 10, 20 and 32-mm diameter trunking. They also have oblong-shaped knock-outs and knock-outs for the entry of sloping 10 and 20-mm pipes.
- These knock-outs help to make pipe outlets that are sloping with regard to the planes of the ceiling and walls, reducing the outgoing tube's curvature when the enclosure is assembled in a high position, near the ceiling or in areas where there are different heights.
- There are recesses at the bottom for the installation of internal elements.
- At the rear, there are guides to make it easier to mark the drill hole position on the wall, thus facilitating installation.
- The boxes are mounted with 45-mm-long screws with latch and triple thread for quick installation. These screws are supplied assembled in all references.

- Reference CT115/K permits the connection of two different circuits up to a voltage of 400 V, separated by a partition included in the box.
- The side of references CT155/K and CT217/K can be broken in order to facilitate cable handling.

Junction boxes. Cover

- The cover has a slightly rough (satin) texture that facilitates the adherence of paint used to decorate the walls, and is wider than the base in order to correct possible flaws or damage caused by the flush-fitting.
- Cover attached with 2.8x13 mm metal screw. In the CT155/K and CT217/K models the cover is supplied assembled and screwed.
- The housing of the screws in the base makes it possible to level the cover if the base is not perfectly level when it is fitted.

DOMOS-K

Flush-fit wiring and junction boxes for hollow walls

Flush-fit wiring boxes. Hollow walls

| Reference No. | Dimensions of the flush-fit gap HEIGHT X WIDTH X DEPTH | Crown mm | Entry holes | Weight KG | Power dissipation according to temperature increase °C P(W)* | | | | |
|---------------|-----------------------------------------------------------|-------------|--------------------------------------------|--------------|--------------------------------------------------------------|-----|-----|-----|-----|
| | | | | | 20 | 25 | 30 | 35 | 40 |
| D70/1K | Ø70x50 | 68 | 4xØ16-20 4xØ20-25 | 0.1 | 0.8 | 1.0 | 1.2 | 1.4 | 1.6 |
| D70/2K | 138x68x50 | 68 | 2xØ16-20 2xØ20-25 14xØ6-10 | 0.1 | 1.6 | 2.0 | 2.5 | 2.9 | 3.3 |
| D70/3K | 209x68x50 | 68 | 4xØ16-20 2xØ20-25 12xØ6-10 2xØ6-9 | 0.1 | 2.5 | 3.1 | 3.7 | 4.3 | 4.9 |
| D70/4K | 280x68x50 | 68 | 6xØ16-20 2xØ20-25 18xØ6-10 | 0.2 | 3.3 | 4.1 | 4.9 | 5.7 | 6.5 |
| D70/5K | 351x68x50 mm | 68 | 22xØ6-10 8xØ16-20 2xØ20-25 | 0.2 | 4.1 | 5.1 | 6.1 | 7.2 | 8.2 |

The screws for hollow wall-mounting are supplied assembled in all references.

All references with double-injection elastic entries.

Ref. 2K-3K-4K-5K with partition.

Self-extinguishing PVC (lead-free).

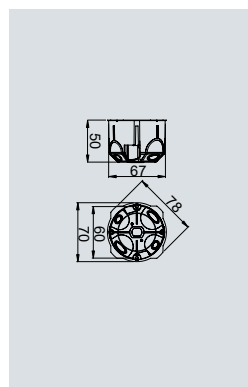
Yellow base.

Flush fit - Hollow walls - Glow wire resistance 850 °C.

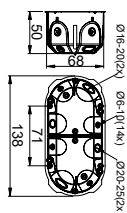
* Calculations obtained according to the CEI 890:1997 standard (including Corrigendum 1998). Method of temperature-rise assessment by extrapolation for partially type-tested assemblies (PTTA) of low-voltage switchgear and control gear.



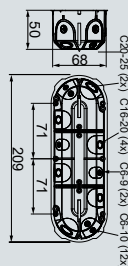
D70/1K



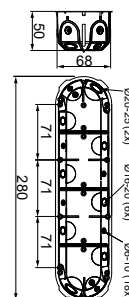
D70/2K



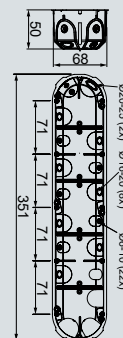
D70/3K



D70/4K



D70/5K





Flush-fit junction boxes with metal screws. Hollow walls

| Reference No. | Dimensions of the flush-fit gap HEIGHT X WIDTH X DEPTH | Crown mm | Entry holes | Weight KG | Power dissipation according to temperature increase °C P(W)* | | | | |
|---------------|-----------------------------------------------------------|-------------|----------------------------|--------------|--------------------------------------------------------------|-----|-----|------|------|
| | | | | | 20 | 25 | 30 | 35 | 40 |
| CT115/K | 115x115x45 | 40 | 4xØ8 8xØ10 4xØ20 | 0.2 | 1.9 | 2.4 | 2.9 | 3.3 | 3.8 |
| CT155/K | 155x155x64 | 40 | 12xØ10 12xØ20 2xØ25 | 0.2 | 3.5 | 4.4 | 5.3 | 6.2 | 7.1 |
| CT217/K | 234x176x79 | 40 | 22xØ10 26xØ20 10xØ30 | 0.5 | 6.0 | 7.5 | 9.0 | 10.5 | 12.0 |

The screws for hollow wall-mounting are supplied assembled in all references.

Ref. CT115/K with partition.

Self-extinguishing PVC (lead-free).

Yellow base - white cover RAL 9003.

Flush fit - Hollow walls - Glow wire resistance 850 °C.

* Calculations obtained according to the CEI 890:1997 standard (including Corrigendum 1998). Method of temperature-rise assessment by extrapolation for partially type-tested assemblies (PTTA) of low-voltage switchgear and control gear.

DOMOS-K accessories

| | Ref. |
|-------------------------------|-------|
| Cover for D70/1K | 45915 |
| Cover for D70/2K | 45916 |
| Cover for CT115/K | 45920 |
| Cover for CT155/K | 45921 |
| Cover for CT217/K | 45922 |
| Fixing claws for hollow walls | 45928 |



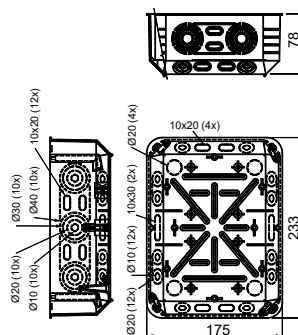
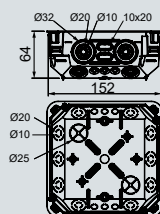
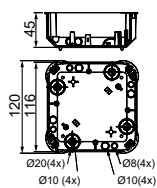
CT115/K



CT155/K



CT217/K



DOMOS



IP33 Flush-fit wiring and junction boxes (Brick walls)

The DOMOS series is a set of flush-fit junction boxes for indoor installations in the tertiary and residential sector.

These boxes consist of a base and a blanking cover, and the three smallest sizes are manufactured in two versions, a version with a cover closed using screws and a version with a cover closed by means of plastic claws.

This family is complemented with the 60 and 70 mm flush-fit wiring boxes.

IP
33

CE



DOMOS Technical Specifications

- Degree of protection: IP33*.
- Resistance to impact: IK07*.
- Glow wire resistance: 650 °C.
- Ambient temperature range: -5 °C / +40 °C.
- Maximum operating voltage: 1000 V AC/1500 V DC.
- Double insulation: Class II*.

* Except reference D88.

DOMOS Certifications



Compliant with the Low Voltage Directive 2014/35/EU.
Standards: UNE-EN 60670-1-22.

Flush-fit junction boxes for indoor installations in the tertiary and residential sector

DOMOS

Wiring and junction boxes



Product series

- Enclosure for 60-mm wiring (Ref. D88).
- Ten junction box models consisting of base and blanking cover. With possibility of metal screw and plastic claw (depending on models). Brick walls.
- Ref. CT536/PH for hollow walls.

Material

- Halogen-free plastic materials.
- Wiring boxes:
D88: Black PS.
- Junction boxes:
Base: Black PS.
Cover: PS RAL 9003 white.
D70-D100: Self-extinguishing PVC RAL 9003 white.
CT536/PH base: Grey high impact V0 PS.

Supply

- The boxes are supplied individually, shrink-wrapped and in multiple cardboard packaging, according to minimum packaging units.
- The D88 boxes are supplied on pallets. Minimum amount of 7680 pieces per order. Their storage system permits 20% space saving.

Easy-to-remove knock-outs for the entry of 25, 32 and 40-mm trunking and pipes

IP33 Flush-fit junction boxes with metal screw. **Hollow walls**

| Reference No. | External dimensions | Dimensions of the flush-fit gap | Weight | Power dissipation according to temperature increase °C P(W)* | | | | | |
|-----------------|------------------------|---------------------------------|--------|--------------------------------------------------------------|------|------|------|------|--|
| | | | | 20 | 25 | 30 | 35 | 40 | |
| | | | | | | | | | |
| | HEIGHT X WIDTH X DEPTH | | KG | | | | | | |
| CT536/PH | 320x520x78 | 305x500x72 | 2.29 | 19.7 | 24.6 | 29.5 | 34.4 | 39.3 | |

/PH: Reference for hollow walls. Glow wire resistance in base: 850 °C.

Base: Grey V0 PS. Cover: RAL 9003 white PS. With metal screw.

Halogen-free plastic materials.

IP33 - Flush fit.

* Calculations obtained according to the CEI 890:1997 standard (including Corrigendum 1998). Method of temperature-rise assessment by extrapolation for partially type-tested assemblies (PTTA) of low-voltage switchgear and control gear.

Accessories

Hollow walls

| | Ref. |
|------------------------------------------------|--------------|
| Hollow walls fixing claws (4 units) | 22100 |
| Linking piece for hollow walls boxes (2 units) | 22101 |





Reference D88

- These are square boxes with a 60-mm diameter circle on the inside to comply with the distance between standard screws for the different electric mechanisms.
- The boxes have a depth of 42 mm, which is a major advantage, particularly for the connection of Schuko-type sockets that take up the whole box area.
- There are folds on the sides that give the box greater rigidity against the forces created during flush-fitting.
- 20 or 25-mm pipes can be inserted.
- Supplied in blocks of four units, which may be fitted either joined together or individually. Once they have been separated, they can be connected again by the ribs on the sides.
- The boxes are supplied with 2.9x16 mm screws already assembled, intended to secure the mechanisms that will be installed on the inside. For mechanisms installed by means of the claw system, the enclosure has small recesses on the sides that secure the mechanisms perfectly.
- They have a protective cover, supplied as an accessory (Ref. 94380) to prevent plaster from getting inside the enclosure during flush-fitting and plastering.

Junction boxes. Base

- The geometry of the junction box flush-fit bases is such that it guarantees perfect installation on the wall, as well as the necessary rigidity to withstand the stress derived from the flush-fitting and interior wiring.
- The bottom and the sides of the boxes have easy-to-remove knock-outs for the entry of 25, 32 and 40-mm diameter trunking (depending on the version). They also have knock-outs for the entry of sloping pipes if the installation so requires.
- These entries are extra thick to prevent the box from breaking when the knock-outs are removed.
- For the CT/D210 – CT220 and CT225 versions: The bases have a wing around the side to make sure that the enclosure is perfectly secure and flush, besides affording it high rigidity to prevent possible deformations.
- The bottom has diagonal and straight recessed overhangs that allow the installer to screw terminals, bars or other accessories to the bottom.
- Ref. /PH specially designed for hollow walls.



Cover

- The cover has a slightly rough (satin) texture that facilitates the adherence of paint used to decorate the walls. This cover is wider than the base in order to cover possible flaws or damage caused by the flush-fitting.
- The covers for these boxes come in two versions, one closed using metal screws and another closed by means of plastic claws.

References D110 – D114 – D210

- They are closed by means of an extra-flat cover with a plastic claw to be able to adapt the cover functionally and aesthetically, concealing any alignment flaws generated during the flush-fitting. The length of the claws is 22 mm and they are tightened as soon as they are inserted, thus permitting good grip.

CT references in all versions:

- They are closed by means of an extra-flat plastic cover with 4x13 plastic threaded screws that are supplied with the enclosure in the accessory bag. The screws are inserted into the base in a rectangular housing so that the cover can be levelled in the event of possible flaws in the base caused by the flush-fitting.

DOMOS

Wiring and junction boxes - Brick walls

Flush-fit wiring boxes. Brick walls

| Reference No. | Dimensions of the flush-fit gap HEIGHT X WIDTH X DEPTH | Weight KG | Power dissipation according to temperature increase °C P(W)* | | | | |
|---------------|-----------------------------------------------------------|--------------|--------------------------------------------------------------|-----|-----|-----|-----|
| | | | 20 | 25 | 30 | 35 | 40 |
| D88 | 71x71x43 | 0.03 | 0.9 | 1.1 | 1.3 | 1.5 | 1.7 |

Flush-fit junction boxes with plastic claw. Brick walls

| Reference No. | Dimensions of the flush-fit gap HEIGHT X WIDTH X DEPTH | Weight KG | Power dissipation according to temperature increase °C P(W)* | | | | |
|---------------|-----------------------------------------------------------|--------------|--------------------------------------------------------------|-----|-----|-----|-----|
| | | | 20 | 25 | 30 | 35 | 40 |
| D70 | Ø73x42 | 0.1 | 0.9 | 1.1 | 1.3 | 1.6 | 1.8 |
| D100 | Ø103x50 | 0.1 | 1.7 | 2.1 | 2.5 | 2.9 | 3.3 |
| D110 | 108x108x50 | 0.1 | 2.2 | 2.7 | 3.2 | 3.8 | 4.3 |
| D114 | 108x168x50 | 0.1 | 3.3 | 4.1 | 4.9 | 5.7 | 6.5 |
| D210 | 148x218x57 | 0.2 | 4.6 | 5.8 | 6.9 | 8.1 | 9.2 |

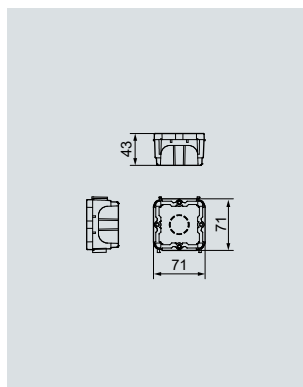
HALOGEN-FREE PLASTIC MATERIALS

Base in black PS and cover in RAL 9003 white PS / D70-D100: Base and cover in self-extinguishing PVC.

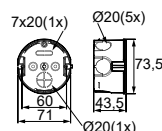
IP33 (Except D88) - Flush-fit.

* Calculations obtained according to the CEI 890:1997 standard (including Corrigendum 1998). Method of temperature-rise assessment by extrapolation for partially type-tested assemblies (PTTA) of low-voltage switchgear and control gear.

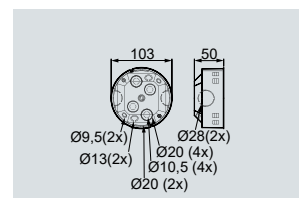
D88



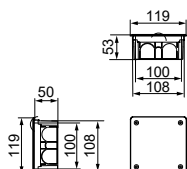
D70



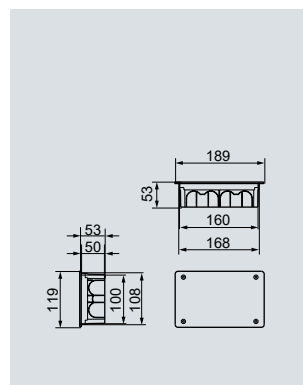
D100



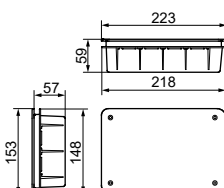
D110/CT110



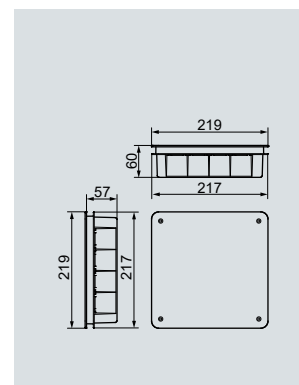
D114/CT114



D210/CT210



CT220



IP33 Flush-fit junction boxes with metal screw. Brick walls

| Reference No. | Dimensions of the flush-fit gap HEIGHT X WIDTH X DEPTH | Weight KG | Power dissipation according to temperature increase °C P(W)* | | | | |
|---------------|--------------------------------------------------------------|--------------|-----------------------------------------------------------------|------|------|------|------|
| | | | 20 | 25 | 30 | 35 | 40 |
| CT110 | 108x108x50 | 0.1 | 2.2 | 2.7 | 3.2 | 3.8 | 4.3 |
| CT114 | 108x168x50 | 0.1 | 3.3 | 4.1 | 4.9 | 5.7 | 6.5 |
| CT210 | 148x218x57 | 0.2 | 4.6 | 5.8 | 6.9 | 8.1 | 9.2 |
| CT220 | 217x217x57 | 0.3 | 6.3 | 7.8 | 9.4 | 11.0 | 12.5 |
| CT225 | 268x268x66 | 0.5 | 9.5 | 11.9 | 14.3 | 16.7 | 19.1 |
| CT326 | 223x318x60 | 0.6 | 8.9 | 11.1 | 13.4 | 15.6 | 17.8 |
| CT338 | 404x404x120 | 1.6 | 21.9 | 27.4 | 32.9 | 38.3 | 43.8 |
| CT536 | 326x518x66 | 1.3 | 19.7 | 24.6 | 29.5 | 34.4 | 39.3 |

HALOGEN-FREE PLASTIC MATERIALS

Base: Black PS.

Cover: RAL 9003 white PS.

IP33 - Flush fit.

* Calculations obtained according to the CEI 890:1997 standard (including Corrigendum 1998). Method of temperature-rise assessment by extrapolation for partially type-tested assemblies (PTTA) of low-voltage switchgear and control gear.

DOMOS Accessories

| | Ref. |
|--------------------------|--------------|
| Cover for D88 | 94380 |
| Cover for D70 | 45925 |
| Cover for D100 | 45926 |
| Cover for CT110 (screws) | 74480 |
| Cover for D110 (clips) | 74485 |
| Cover for CT114 (screws) | 74450 |
| Cover for D114 (clips) | 74455 |
| Cover for CT210 (screws) | 74510 |
| Cover for D210 (clips) | 74512 |

| | Ref. |
|--------------------------|--------------|
| Cover for CT220 (screws) | 74490 |
| Cover for CT225 (screws) | 74515 |
| Cover for CT326 (screws) | 74460 |
| Cover for CT338 (screws) | 74500 |
| Cover for CT536 (screws) | 74470 |
| 4x13 screws for covers | 92611 |



CT225



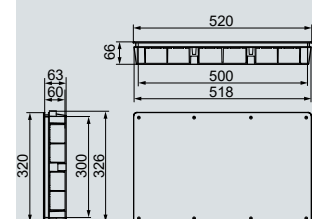
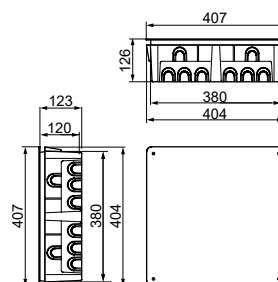
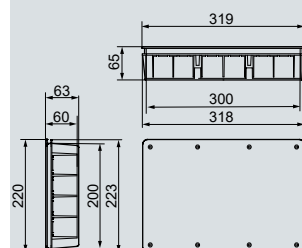
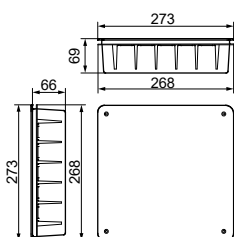
CT326



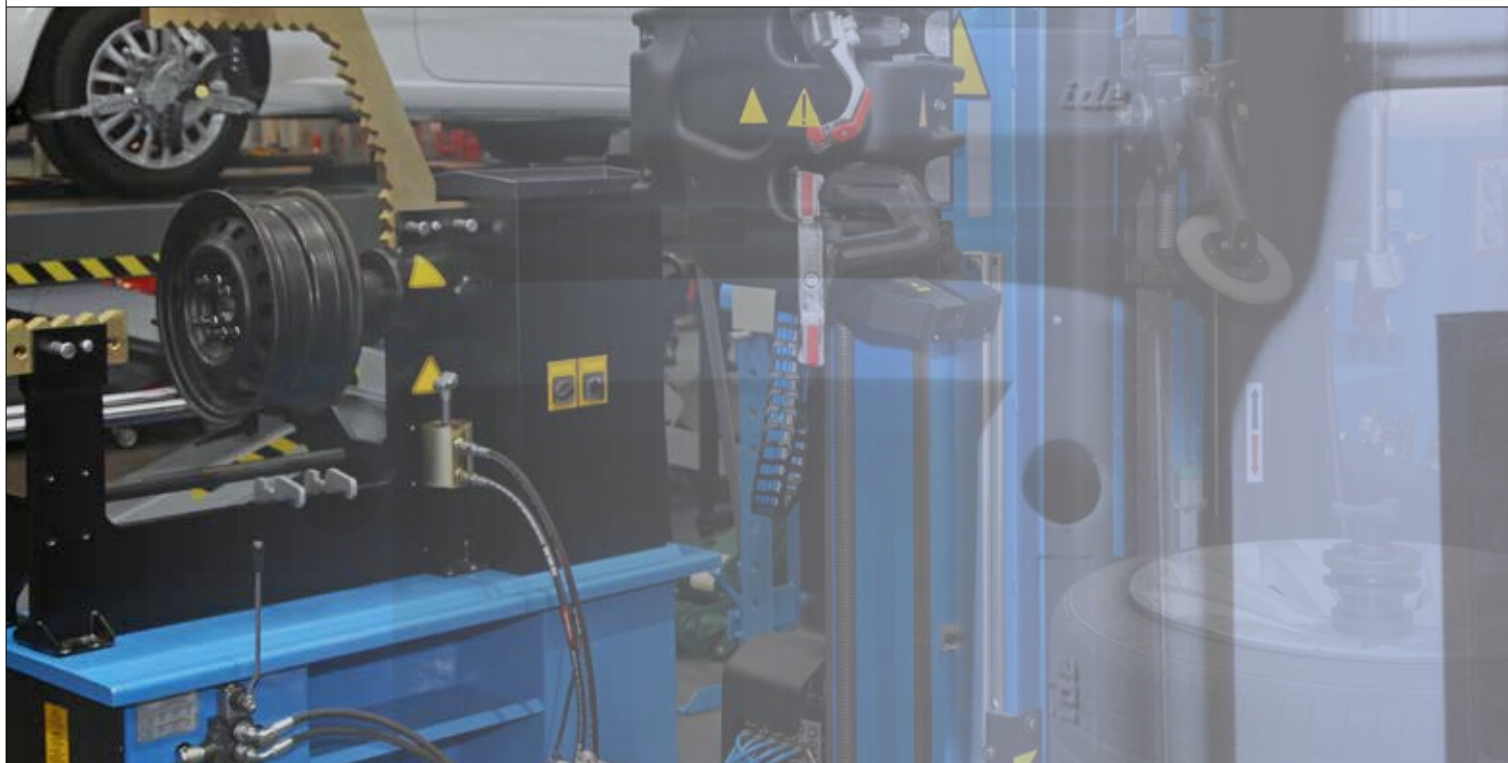
CT338



CT536



VERDI



IP40-IP55 Surface boxes and mechanisms

The VERDI series boxes and mechanisms are watertight terminal junction boxes manufactured with high-quality plastic. The wall-mounted enclosures may be IP40 or IP55, making them suitable for all types of indoor and outdoor installations. They have a flexible membrane that facilitates wiring, with sections of up to 6 mm, always guaranteeing perfect watertightness levels.

They include captive screws, and their ergonomic design makes for quick pressure installation.

The mechanisms are guaranteed for more than 40,000 manoeuvres and include special bases, industrial mechanisms, signalling, emergency and safety mechanisms, etc.

IP
40IP
55

CE



VERDI Enclosures Technical Specifications

- Degree of protection: IP40 / IP55.
- Resistance to impact: IK07.
- Glow wire resistance: 650 °C.
- Double insulation: Class II.

VERDI Mechanisms Technical Specifications

- Rated voltage: 250 V.
- Rated current: 10 A / 16 A / 20 A.
(20 A including fluorescent loads).
- Entry section: 4 mm².

VERDI Certifications

CE

Boxes: Compliant with 2014/35/EU.
Standards: UNE-EN 60670-1-22 and IEC 670 (as applicable).
Mechanisms: Compliant with the 2014/35/EU directive.
Standards: UNE-EN 60669-1 and IEC 60669-1
(as applicable).

IP40 or IP55 wall-mounted enclosures suitable for all types of indoor and outdoor installations

VERDI

IP40-IP55 surface boxes and mechanisms

IP40 mechanism boxes

| Reference No. | No. of modules | Dimensions | | Weight |
|---------------|----------------|------------|---------------|--------|
| | | HEIGHT | WIDTH X DEPTH | |
| 45011 | 1 module | 85 | 70x55 | 0.1 |
| 45012 | 2 modules | 85 | 70x55 | 0.1 |
| 45013 | 3 modules | 85 | 95x55 | 0.1 |
| 45014 | 4 modules | 85 | 142x55 | 0.1 |
| 45016 | 6 modules | 85 | 190x55 | 0.2 |
| 45018 | 12 modules | 157.4 | 185x78 | 0.3 |

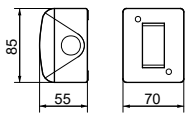
HALOGEN-FREE PLASTIC MATERIALS

ABS RAL 7035 grey.

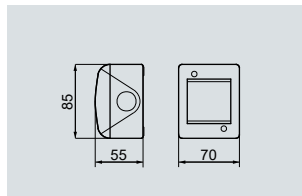
IP40 - Surface.



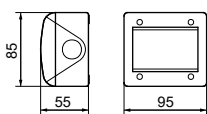
1 module
45011



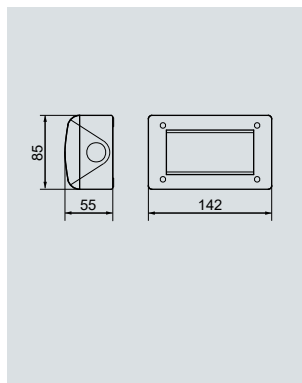
2 modules
45012



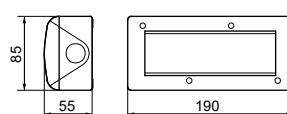
3 modules
45013



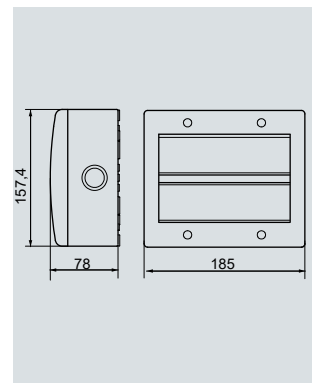
4 modules
45014



6 modules
45016



12 modules
45018



IP55 mechanism boxes

| Reference No. | No. of modules | Dimensions | Weight |
|---------------|----------------|------------------------|--------|
| | | HEIGHT X WIDTH X DEPTH | |
| 45001 | 1 module | 85x70x63 | 0.1 |
| 45002 | 2 modules | 85x70x63 | 0.1 |
| 45003 | 3 modules | 85x95x63 | 0.1 |
| 45004 | 4 modules | 85x142x63 | 0.2 |

HALOGEN-FREE PLASTIC MATERIALS

ABS RAL 7035 grey.

IP55 - Surface.



1 module
45001



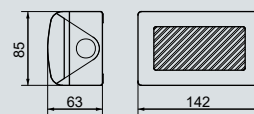
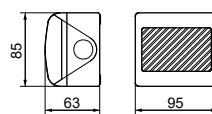
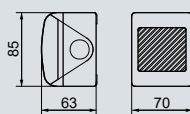
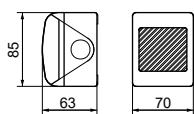
2 modules
45002



3 modules
45003



4 modules
45004





SWITCH



DOUBLE-ARROW SINGLE-POLE SWITCH



BELL BUTTON



DIMMER

Mechanisms

| Reference No. | Description | Characteristics | Modules |
|---------------|-----------------------------------------------|----------------------------------|---------|
| 45121 | Single-pole switch | 16 A - 250 V | 1/2 |
| 45101 | Single-pole switch (mechanism + key) | 16 A - 250 V | 1 |
| 45111 | Single-pole light-up switch* | 16 A - 250 V | 1 |
| 45110 | Double-pole switch | 16 A - 250 V | 1 |
| 45140 | Double-pole switch with key | 16 A - 250 V | 1 |
| 45122 | Single-pole switch | 16 A - 250 V | 1/2 |
| 45102 | Single-pole switch | 16 A - 250 V | 1 |
| 45112 | Single-pole light-up switch* | 16 A - 250 V | 1 |
| 45180 | Double-arrow single-pole switch | 10 A - 250 V | 1 |
| 45181 | Double-arrow double-pole switch | 10 A - 250 V | 1 |
| 45125 | Single-pole pushbutton | 16 A - 250 V | 1/2 |
| 45105 | Single-pole pushbutton | 10 A - 250 V | 1 |
| 45115 | Single-pole light-up pushbutton* | 10 A - 250 V | 1 |
| 45165 | Single-pole pushbutton with key | 16 A - 250 V | 1 |
| 45155 | Single-pole bell pushbutton w/light-up board* | 16 A - 250 V | 2 |
| 45104 | Crossing | 16 A - 250 V | 1 |
| 45400 | Dimmer | 100-500 W 230 V / 60-300 W 127 V | 1 |

* Lamp Ref. 45425 must be requested to obtain the full set (page 373).

Covers for mechanisms

| Reference No. | Description | Characteristics | Modules |
|---------------|----------------|-----------------|---------|
| 45401 | Blanking cover | - | 1/2 |
| 45402 | Blanking cover | - | 1 |



SCHUKO-TYPE
PLUGS

SIGNALLING
LIGHT

EMERGENCY
PUSHBUTTON

EMERGENCY LIGHT

Sockets

| Reference No. | Description | Characteristics | Modules |
|---------------|------------------------|---------------------------|---------|
| 45201 | Schuko-type socket | 2P+E - 16 A - 250 V | 2 |
| 45200 | Red Schuko-type socket | 2P+E - 16 A - 250 V | 2 |
| 45202 | Safety screen socket | 2P+E - 16 A - 250 V | - |
| 45231 | 4-pin phone socket | RJ11 connector | 1 |
| 45233 | 8-pin IT socket | RJ45 connector AMP Cat. 5 | 1 |
| 45250 | 8-pin IT socket | RJ45 connector 3M Cat.6 | 1 |
| 45240 | 9.5-mm TV socket | Frequency 40/862 MHz | - |

Signalling

| Reference No. | Description | Characteristics | Modules |
|---------------|---------------------------------|-----------------|---------|
| 45301 | Transparent signalling light* | - | - |
| 45302 | Green signalling light* | - | - |
| 45303 | Red signalling light* | - | - |
| 45425 | Bulb for mechanisms with cables | 230V | - |
| 45310 | LED emergency bulb 3-h life | 1.2mA - 230V | 2 |

* Lamp Ref 45425 or 45310 must be requested.

Emergency

| Reference No. | Description | Characteristics | Modules |
|---------------|--------------------------|-----------------|---------|
| 45175 | Red emergency pushbutton | 20A - 250V | 2 |

AMERICAN

IP20 boxes for electrical components



IP20 Boxes for electrical components

The AMERICAN boxes are manufactured in high-durability halogen-free plastic. The distance between screws for fixing switches is the standard measurement of the so-called American system.

The pipe entries correspond to the 1/2", 3/4" and 1" measurements. There are models with blanking or cut-out covers for the installation of different electronic devices with weak currents.

AMERICAN Technical Specifications

- Degree of protection: IP20.
- Resistance to impact: IK07.
- Glow wire resistance: 650 °C.

IP20 boxes for electrical components

| Reference No. | Description | Inches | Cable entry | Weight |
|---------------|----------------------|--------|---------------------------------|-----------|
| | | | | KG |
| 45080 | Box without cover | 4"x2" | 4x1/2 - 3x3/4 - 2x1 - 2x3/4 - 1 | 0.1 |
| 45081 | Box without cover | 4"x4" | 4x1/2 - 6x3/4 - 5x1 | 0.1 |
| 45082 | Cover for mechanisms | 4"x4" | - | 0.1 |
| 45083 | Blanking cover | 4"x4" | - | 0.1 |

HALOGEN-FREE PLASTIC MATERIALS

ABS RAL 7035 grey.

IP20 - Surface.



45080

CABLE ENTRY: 4xØ1/2" - 3xØ3/4" - 2xØ1" - 2xØ3/4" - 1"



45081

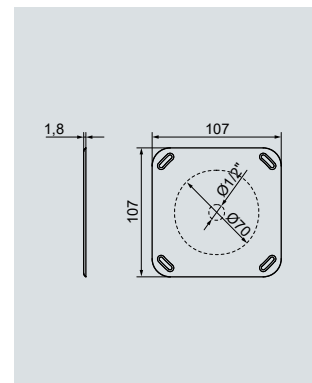
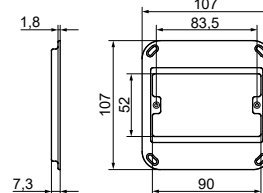
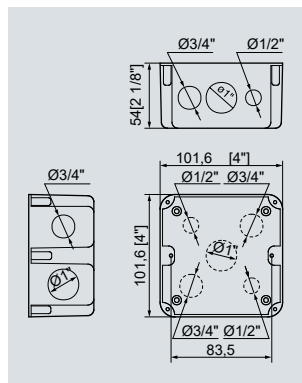
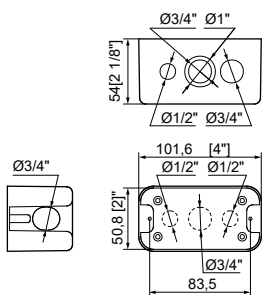
CABLE ENTRY: 4xØ1/2" - 6xØ3/4" - 5xØ1"



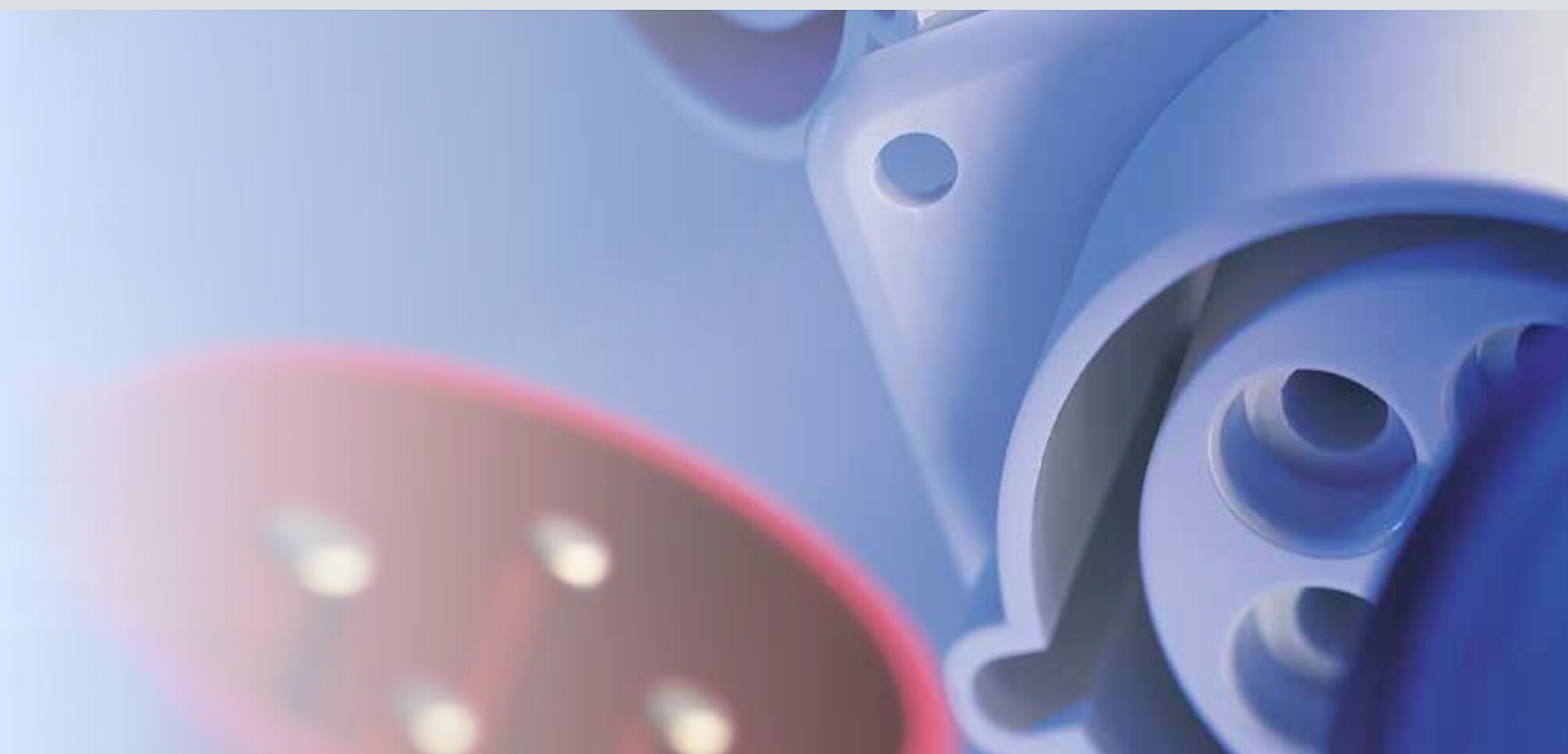
45082



45083







POWER SOCKETS

Industrial plugs and sockets

Mundial series
SCHUKO-TYPE
LOW VOLTAGE
INTERLOCKING
EXTRA LOW VOLTAGE

MUNDIAL



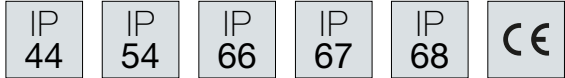
Industrial plugs and sockets

The MUNDIAL series is a set of power sockets for industrial uses. They are manufactured in accordance with the most demanding national and international standards so they can be distributed and installed in all markets. These parts undergo rigorous testing, thus guaranteeing all the required degrees of protection.

The sockets and plugs of this family are manufactured with high-durability halogen-free plastics and are available in a range of from 10 to 125 Amperes and from 24 to 500 Volts. Their ergonomic design greatly facilitates cable connection and installation.

They are intended for installation in places requiring power points for fixed machinery, portable tools or auxiliary electrical equipment. Their sphere of application therefore includes industrial premises and workshops, warehouses and depot areas, building sites, etc.





MUNDIAL Technical Specifications

- **Degree of protection:**
Schuko-type: IP44 / IP54 / IP66 / IP67 / IP68.
Low voltage: IP44 / IP66 / IP67.
Interlocking: IP44 / IP54 / IP67.
Extra low voltage: IP44.
- **Resistance to impact:** IK08.
- **Glow wire resistance:** 960 °C.
- **Ball pressure test:** 125 °C.
- **Ambient temperature range:** -25 °C / +40 °C.

MUNDIAL Certifications



Compliant with the Low Voltage Directive 2014/35/EU.
Standard: UNE-EN 60309-1, UNE-EN 60309-2 and IEC 60884-1 and Directive 2011/65/EU RoHS for Schuko-type sockets.

MUNDIAL



IDE sockets and plugs are designed for a maximum conductor section, as indicated in the following table:

Terminals

| Current (A) | Cross-section conductors | |
|-------------|--------------------------|-----------------------|
| | Flexible mm ² | Rigid mm ² |
| 16 | 4 | 6 |
| 32 | 6 | 10 |
| 63 | 16 | 25 |
| 125 | 50 | 70 |

Position of the earth contact (According to IEC 60309-2 - Series I)

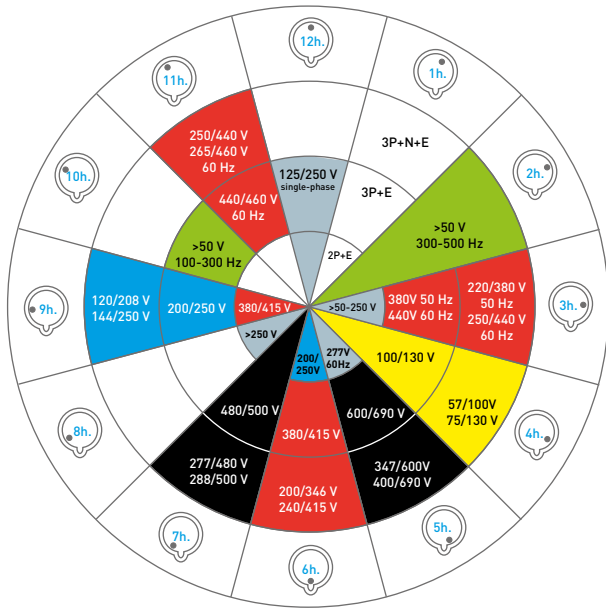
| Voltage (V) | Frequency (HZ) | 2P+E | | 3P+E | | 3P+N+E | |
|-------------------|----------------|---------|----------|---------|----------|---------|----------|
| | | 16-32 A | 63-125 A | 16-32 A | 63-125 A | 16-32 A | 63-125 A |
| 63.5/110 - 75/130 | 50/60 | - | - | - | - | 4 | 4 |
| 110 - 130 | 50/60 | 4 | 4 | 4 | 4 | - | - |
| 120/208 - 144/250 | 50/60 | - | - | - | - | 9 | 9 |
| 220 - 250 | 50/60 | 6 | 6 | 9 | 9 | - | - |
| 220/380 - 240/415 | 50/60 | - | - | - | - | 6 | 6 |
| 220/380 - 250/440 | 50/60 | - | - | - | - | 3 | 3* |
| 250/400 - 265/460 | 60 | - | - | - | - | 11 | 11 |
| 277 | 60 | 5 | 5 | - | - | - | - |
| 277/480 - 288/500 | 50/60 | - | - | - | - | 7 | 7 |
| 347/600 - 400/690 | 50/60 | - | - | - | - | 5 | 5 |
| 380 - 415 | 50/60 | 9 | 9 | 6 | 6 | - | - |
| 380 - 440 | 50/60 | - | - | 3 | 3* | - | - |
| 440 - 460 | 60 | - | - | 11 | 11 | - | - |
| 480 - 500 | 50/60 | 7 | 7 | 7 | 7 | - | - |
| 600 - 690 | 50/60 | - | - | 5 | 5 | - | - |
| >50 | 100/300 | 10* | 10* | 10 | 10* | 10* | 10* |
| >50 | <300/500 | 2 | 2* | 2 | 2* | 2 | 2* |
| >50 - 250 | DC | 3 | 3 | - | - | - | - |
| >250 | DC | 12 | 12 | 12 | 12 | - | - |

* NON-STANDARD

International colour and reference code

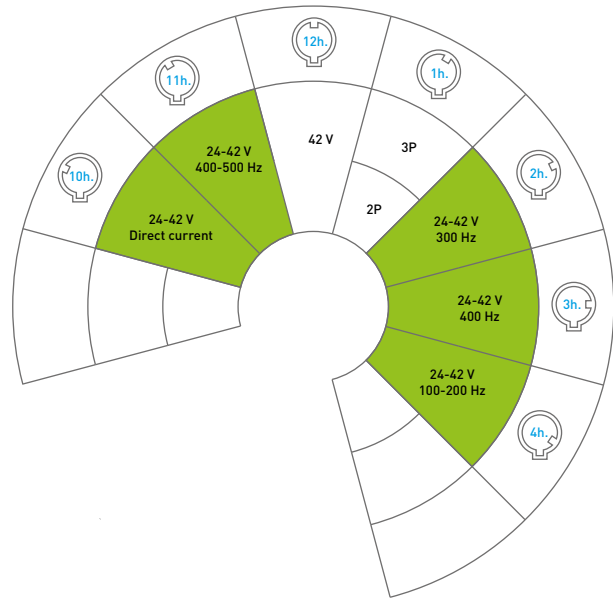
Low Voltage Elements

Earth contact according to the position clockwise from top.



Extra Low Voltage Elements

Auxiliary entry guide.



Colour code

| Voltage | Colour code |
|------------|-------------|
| 20-25 V | Violet |
| 40-50 V | White |
| 100-130 V | Yellow |
| 200-250 V | Blue |
| 380-480 V | Red |
| 500-690 V | Black |
| >60-500 Hz | Green |
| no code | Grey |

Codes showing the relationship between the number of poles, rated voltage, frequency, colour and time code that must be met by sockets manufactured in accordance with current regulations.

SCHUKO-TYPE

50/60 Hz industrial plugs and sockets

SCHUKO-TYPE PLUGS AND SOCKETS

Product series

- IP44 Schuko-type sockets.
- IP54 Schuko-type sockets.
- IP67 / IP68 Schuko-type sockets and plugs.
- IP44 rubber sockets and plugs.
- IP44 multiple socket.
- IP44 combo sockets and plugs.
- Current: 16 A.
- Voltage: 250 V.
- Poles: 2P+E.



IP54 FLUSH-FIT SOCKET



IP67 FLUSH-FIT SOCKET



IP67 WALL SOCKET



IP66-IP68 WANDER SOCKET

Material

- Plastic parts: Polyamide 6.
- Contacts: Copper-zinc alloy.
- Halogen-free plastic materials.
- High disruptive force.
- High resistance to extreme environmental agents.
- High resistance to chemical products and agents.

Main characteristics of the plastic material:

- Excellent resistance to impact.
- High thermal stability.
- Very good insulating qualities.

Main characteristics of the contacts:

- High-capacity electrical conduction: 15 mm²/(Ohm mm²).
- High corrosion resistance in industrial areas.

Supply

- Supplied in a single box per packaging multiple.

VERSIONS FOR IP54 SCHUKO-TYPE SOCKETS



WITH SCREWS



SCREWLESS



WITH SIDE
EARTH



FRENCH-TYPE



IP44-IP54-IP67-IP68 Schuko-type sockets

Broad range of Schuko-type sockets and plugs:

- IP44 Schuko-type sockets available in flush-fit and surface version.
- The IP54 Schuko-type sockets are always supplied with a shutter. They are available with a terminal with screws or a screwless terminal. They are also available in the French version.
- The IP67 Schuko-type sockets can be flush-fitted, wall-mounted, or as a wander socket and plug, thus delivering a full range of solutions.

Cable entry for IP54 sockets

- Screw-free cable connection allows the cables to enter in both directions (side and rear).
- The sockets can use flexible and rigid class I and class II cable, as well as treated and untreated Class II.

Shutter

- The Schuko-type sockets supplied with shutter deliver an additional safety system by covering the contact entry and preventing access by any foreign body other than a plug.

Broad range of Schuko-type sockets and plugs for global solutions



Covers

- 180° cover opening.
- Geometric forms that provide excellent rigidity and a personalised look for parts.

Rubber plugs and sockets

- The rubber wander sockets and plugs are available with an IP54 degree of protection.
- Manufactured in rubber, they provide perfect grip and maximum strength.
- They have a large connection area and a simple contact assembly and disassembly system.
- Cables with diameters of between 6 and 13 mm can be installed.

SCHUKO-TYPE

50/60 Hz industrial plugs and sockets

IP44 Schuko-type sockets



IP44 flush-fit socket



IP44 wall socket

| Current | Poles | Volt. (V) | Time code | Reference No. | Reference No. |
|---------|-------|-----------|-----------|----------------|----------------|
| 16A | 2P+E | 250 | - | 00101 00102 | 00103 00104 |

Sockets with screw terminal and lateral contact.

IP54 Schuko-type sockets



IP54 socket with shutter

With screw terminal
Type: SK54 LAT/CT



With screwless
terminal



IP54 French socket with shutter

With screw terminal
Type: SK54 PIN/CT



With screwless
terminal

| Current | Poles | Volt. (V) | Time code | Reference No. | Reference No. | Reference No. | Reference No. |
|---------|-------|-----------|-----------|----------------|---------------|---------------|---------------|
| 16A | 2P+E | 250 | - | 00456 00452 | 00402 | 00464 | 00414 |

IP66-IP67-IP68 Schuko-type sockets and plugs



IP67 flush-fit socket*



IP67 wall socket*



IP66-IP68
wander socket



IP66-IP68
wander plug

| Current | Poles | Volt. (V) | Time code | Reference No. | Reference No. | Reference No. | Reference No. |
|---------|-------|-----------|-----------|----------------|---------------|---------------|---------------|
| 16A | 2P+E | 250 | - | 00105 00164 | 00135 | 00118 | 00114 |

See dimensions on pages: 386-387.

* Ref. 00105-00135 with lateral contact. Ref. 00164 with type-PIN contact.

Rubber sockets and plugs



IP54 rubber wander plug



IP20 rubber wander socket



IP44 multiple rubber socket

| Current | Poles | Volt. (V) | Time code | Reference No. | Reference No. | Reference No. |
|---------|-------|-----------|-----------|---------------|------------------|---------------|
| 16A | 2P+E | 250 | - | 00115 | 00125 00125/F | 00130 |

Reference 00115 with dual earthing system. Reference 00125/F with French/Belgian system.

IP44 combo sockets and plugs



IP44 combo sockets



IP44 combo plugs

| Current | Poles | Voltage (V) | Time code | Reference No. | Reference No. |
|---------|--------|-------------------|-----------|---------------|---------------|
| 16A | 2P+E | 200/250 | 6 | 00211 | 00121 |
| | 3P+E | 380/415 | 6 | 00312 | - |
| | 3P+N+E | 200/346 - 240/415 | 6 | 00313 | 00123 |
| 32A | 2P+E | 200/250 | 6 | 00214 | - |
| | 3P+E | 380/415 | 6 | 00315 | - |
| | 3P+N+E | 200/346 - 240/415 | 6 | 00316 | - |

IP44 multiple socket



| Current | Poles | Voltage (V) | Time code | Reference No. | |
|---------|-------|-------------|-----------|--------------------|-------|
| 16A | 2P+E | 230 | - | 1 plug + 3 sockets | 00140 |

Data socket



| Description | Reference No. |
|---------------------------------------------------------|---------------|
| Network socket housing (for two RJ45 sockets). 50x50 mm | 00145 |
| Network socket connector 6A Keystone Jack RJ45 STP | 00146 |

Both references must be requested to obtain the full set.

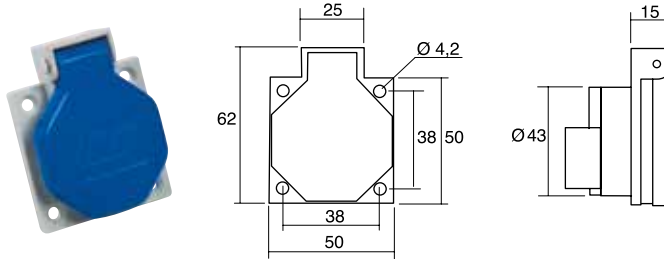
See dimensions on pages: 388-389.

SCHUKO-TYPE

50/60 Hz industrial plugs and sockets dimensions

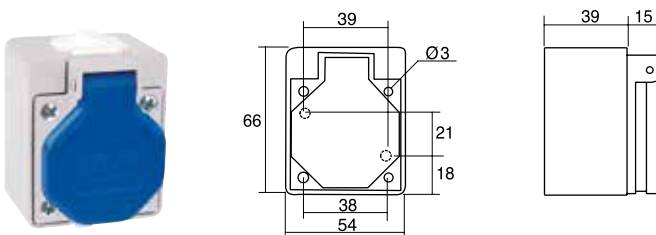
DIMENSIONS

IP44 Schuko-type flush-fit socket



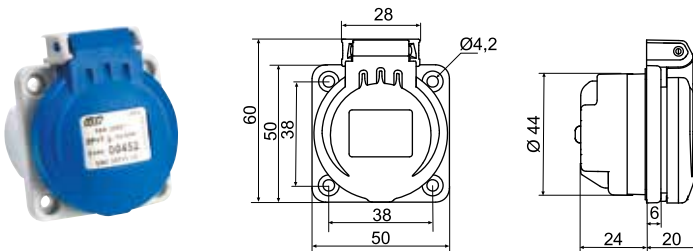
| Current | Poles | Dimensions | | |
|---------|-------|------------|-------|-------|
| | | HEIGHT | WIDTH | DEPTH |
| 16A | 2P+E | 62 | 50 | 40 |

IP44 Schuko-type wall socket



| Current | Poles | Dimensions | | |
|---------|-------|------------|-------|-------|
| | | HEIGHT | WIDTH | DEPTH |
| 16A | 2P+E | 66 | 54 | 54 |

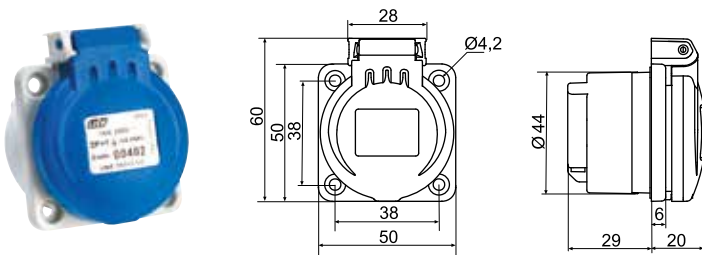
IP54 Schuko-type flush-fit sockets with shutter and screw terminal



| Current | Poles | Dimensions | | |
|---------|-------|------------|-------|-------|
| | | HEIGHT | WIDTH | DEPTH |
| 16A | 2P+E | 60 | 50 | 44 |

Flush-fit gap: $\varnothing 4^{+0}_{-0.5}$

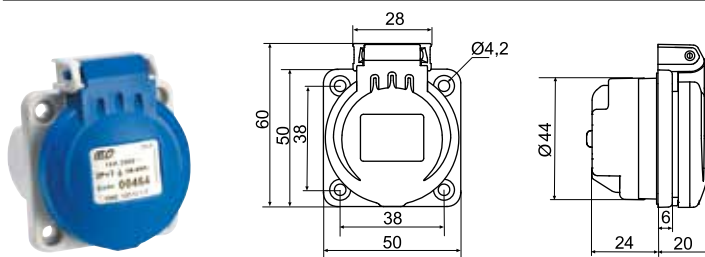
IP54 Schuko-type flush-fit sockets with shutter and screwless terminal



| Current | Poles | Dimensions | | |
|---------|-------|------------|-------|-------|
| | | HEIGHT | WIDTH | DEPTH |
| 16A | 2P+E | 60 | 50 | 49 |

Flush-fit gap: $\varnothing 4^{+0}_{-0.5}$

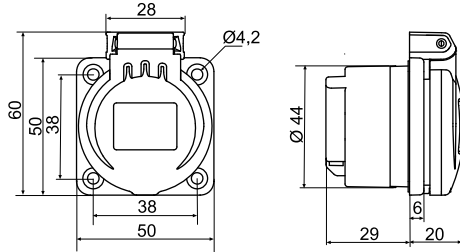
IP54 Schuko-type French-type sockets with shutter and screw terminal



| Current | Poles | Dimensions | | |
|---------|-------|------------|-------|-------|
| | | HEIGHT | WIDTH | DEPTH |
| 16A | 2P+E | 60 | 50 | 44 |

Flush-fit gap: $\varnothing 4^{+0}_{-0.5}$

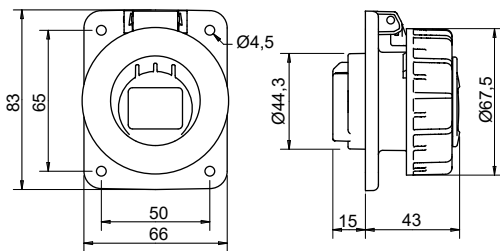
IP54 Schuko-type French-type sockets with shutter and screwless terminal



| Current | Poles | Dimensions | | |
|---------|-------|------------|-------|-------|
| | | HEIGHT | WIDTH | DEPTH |
| 16A | 2P+E | 60 | 50 | 49 |

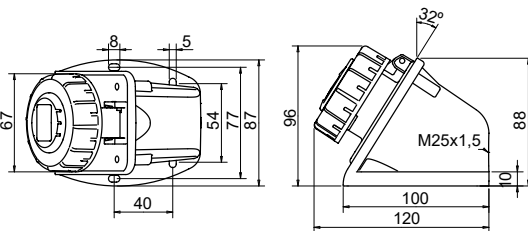
Flush-fit gap: $\varnothing 4^{+0}_{-0.5}$

IP66-IP67 Schuko-type flush-fit sockets



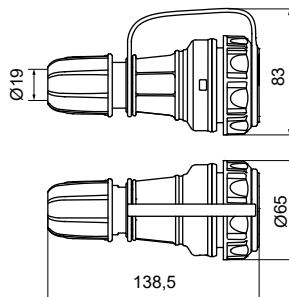
| Current | Poles | Dimensions | | |
|---------|-------|------------|-------|-------|
| | | HEIGHT | WIDTH | DEPTH |
| 16A | 2P+E | 83 | 66 | 58 |

IP67 Schuko-type wall sockets



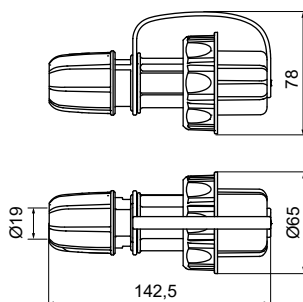
| Current | Poles | Dimensions | | |
|---------|-------|------------|-------|-------|
| | | HEIGHT | WIDTH | DEPTH |
| 16A | 2P+E | 96 | 87 | 120 |

IP66-IP68 Schuko-type wander socket



| Current | Poles | Dimensions | |
|---------|-------|------------|----|
| | | LENGTH | Ø |
| 16A | 2P+E | 139 | 65 |

IP66-IP68 Schuko-type wander plug

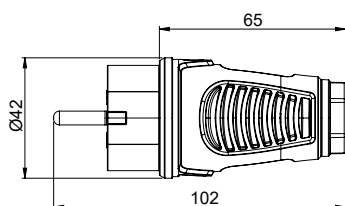


| Current | Poles | Dimensions | |
|---------|-------|------------|----|
| | | LENGTH | Ø |
| 16A | 2P+E | 143 | 65 |

SCHUKO-TYPE

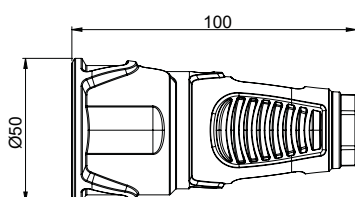
50/60 Hz industrial plugs and sockets dimensions

IP54 rubber wander plug



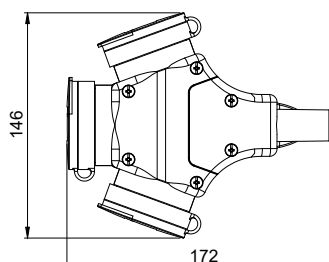
| Current | Poles | Dimensions | |
|---------|-------|------------|----|
| | | LENGTH | Ø |
| 16A | 2P+E | 102 | 42 |

IP20 rubber wander socket



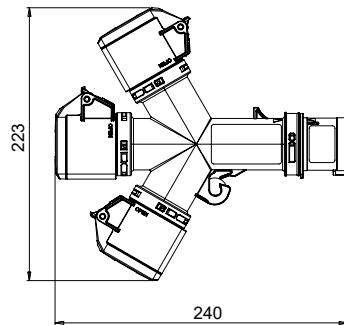
| Current | Poles | Dimensions | |
|---------|-------|------------|----|
| | | LENGTH | Ø |
| 16A | 2P+E | 100 | 50 |

IP44 multiple rubber socket



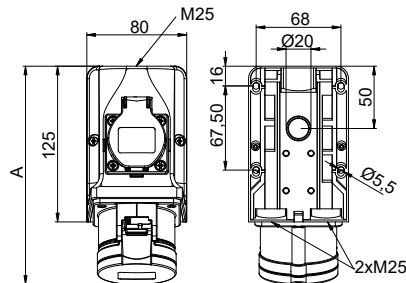
| Current | Poles | Dimensions | |
|---------|-------|------------|--------|
| | | LENGTH | HEIGHT |
| 16A | 2P+E | 172 | 146 |

IP44 multiple socket



| Current | Poles | Dimensions | |
|---------|-------|------------|--------|
| | | LENGTH | HEIGHT |
| 16A | 2P+E | 240 | 223 |

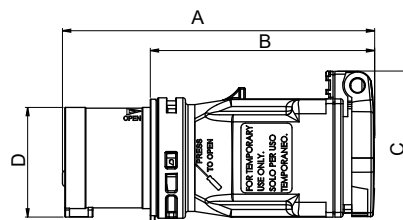
IP44 combo socket



B= Height:
15°= Slope

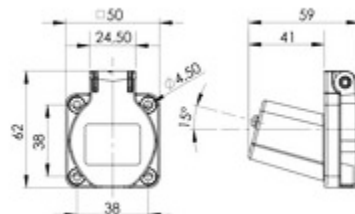
| Current | Poles | Dimensions | | |
|---------|--------|------------|-----|------|
| | | A | B | M |
| 16A | 2P+E | 175 | 127 | 3x25 |
| | 3P+E | 176 | 130 | 3x25 |
| | 3P+N+E | 176 | 133 | 3x25 |
| 32A | 2P+E | 188 | 136 | 3x25 |
| | 3P+E | 188 | 136 | 3x25 |
| | 3P+N+E | 188 | 141 | 3x25 |

IP44 combo plug



| Current | Poles | Dimensions | | | |
|---------|--------|------------|----|----|----|
| | | A | B | C | D |
| 16A | 2P+E | 134 | 96 | 65 | 47 |
| | 3P+N+E | 133 | 96 | 74 | 61 |

Data socket



LOW VOLTAGE

50/60 Hz industrial plugs and sockets

LOW VOLTAGE PLUGS AND SOCKETS

IP44 product series

- Wander sockets.
- Straight flush-fit sockets.
- Sloping flush-fit sockets.
- Wall sockets.
- Wander plugs.
- Straight flush-fit plugs.
- Wall plugs.
- Phase inverters.
- Current: 16 A – 32 A.
- Voltage: 110V – 220V – 380V – 500V.
- Poles: 2P+E – 3P+E – 3P+N+E.
- Time code: 2h – 4h – 6h – 7h – 9h – 10h.

IP67 product series

- Wander sockets.
- Sloping flush-fit sockets.
- Wall sockets.
- Wander plugs.
- Sloping flush-fit plugs.
- Wall plugs.
- Phase inverters.
- Current: 16 A – 32 A – 63 A – 125 A.
- Voltage: 110V – 220V – 380V – 500V.
- Poles: 2P+E – 3P+E – 3P+N+E.
- Time code: 2h – 4h – 6h – 7h – 9h – 10h.



IP44 WANDER PLUG



IP44 WALL SOCKET



IP67 FLUSH-FIT SOCKET



IP67 FLUSH-FIT PLUG

Material

- Plastic parts: Polyamide 6.
- Contacts: Copper-zinc alloy.
- Halogen-free plastic materials.

Main characteristics of the plastic material:

- Excellent resistance to impact.
- High thermal stability.
- Very good insulating qualities.
- High disruptive force.
- High resistance to extreme environmental agents.
- High resistance to chemical products and agents.

Main characteristics of the contacts:

- High-capacity electrical conduction: 15 mm/(Ohm mm²).
- High corrosion resistance in industrial areas.
- Possibility of requesting nickel-plated contacts to increase resistance in marine, steamy environments, etc. (Add /NC to the reference).

Supply

Supplied in an individual box per packaging multiple.

IP
44IP
67

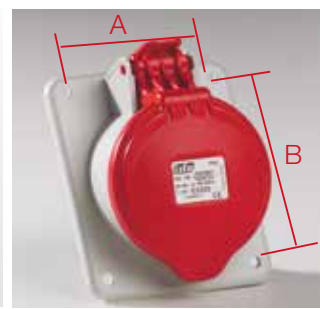
CE



Wander socket and plug

- They feature an ergonomic design that makes it extremely easy for the installer to hold and handle them.
- The cable hose is secured by means of a cable gland system that guarantees total protection against the entry of water and solid bodies.
- Clipping system opening and closing, with a tool required to access live parts, in compliance with regulations.
- Easy access to cable connection thanks to screws on the side facing in the same direction.

Ergonomic design that facilitates holding and handling



Cover

- It features geometric forms that provide it with excellent rigidity and resistance to knocks and handling. There are three recesses at the top which become connection ribs with the opening and rotation tab.
- 180° cover opening and rotation, thus providing total and unlimited opening.
- The IP67 sockets and plugs have a ring that guarantees their degree of protection.

Shield for flush-fit sockets

- Four unique shield sizes. Two for 16 A and 32 A sockets and two for 63 A and 125 A sockets.

Wall sockets

- The IP44 wall sockets have a threaded cap and the IP67 sockets a cable gland to guarantee their degree of protection.
- They have threaded holes for wall-mounting that facilitate installation and levelling.

LOW VOLTAGE

50/60 Hz industrial plugs and sockets

IP44 low voltage sockets



| Current | Poles | Voltage (V) | Time code | Straight flush-fit sockets | | | | Sloping flush-fit sockets | | | | Wall sockets | | | | Wander sockets | | | |
|-----------------|--------|-----------------|-----------|----------------------------|---------------|---------------|---------------|---------------------------|---------------|---------------|---------------|---------------|---------------|---------------|---------------|----------------|--|--|--|
| | | | | Reference No. | Reference No. | Reference No. | Reference No. | Reference No. | Reference No. | Reference No. | Reference No. | Reference No. | Reference No. | Reference No. | Reference No. | | | | |
| 16A | 2P+E | >50(301-500Hz) | 2 | █ | - | 07301 | 07321 | 07201 | | | | | | | | | | | |
| | | 100/130 | 4 | █ | 01311 | 01301 | 01321 | 01201 | | | | | | | | | | | |
| | | 200/250 | 6 | █ | 02311 | 02301 | 02321 | 02201 | | | | | | | | | | | |
| | | 480/500 | 7 | █ | - | 05301 | 05321 | 05201 | | | | | | | | | | | |
| | 3P+E | 380/415 | 9 | █ | 03311 | 03301 | 03321 | 03201 | | | | | | | | | | | |
| | | >50(301-500Hz) | 2 | █ | - | 07302 | 07322 | 07202 | | | | | | | | | | | |
| | | 100/130 | 4 | █ | 01312 | 01302 | 01322 | 01202 | | | | | | | | | | | |
| | | 380/415 | 6 | █ | 03312 | 03302 | 03322 | 03202 | | | | | | | | | | | |
| | 3P+N+E | 480/500 | 7 | █ | 05312 | 05302 | 05322 | 05202 | | | | | | | | | | | |
| | | 200/250 | 9 | █ | 02312 | 02302 | 02322 | 02202 | | | | | | | | | | | |
| | | >50(100-300Hz) | 10 | █ | - | 07382 | 07352 | 07282 | | | | | | | | | | | |
| | | >50(301-500Hz) | 2 | █ | - | 07303 | 07323 | 07203 | | | | | | | | | | | |
| | 3P+N+E | 57/100 75/130 | 4 | █ | 01313 | 01303 | 01323 | 01203 | | | | | | | | | | | |
| | | 200/346 240/415 | 6 | █ | 03313 | 03303 | 03323 | 03203 | | | | | | | | | | | |
| 277/480 288/500 | | 7 | █ | 05313 | 05303 | 05323 | 05203 | | | | | | | | | | | | |
| 120/208 144/250 | | 9 | █ | 02313 | 02303 | 02323 | 02203 | | | | | | | | | | | | |
| >50(301-500Hz) | | 2 | █ | - | 07304 | 07324 | 07204 | | | | | | | | | | | | |
| 100/130 | | 4 | █ | 01314 | 01304 | 01324 | 01204 | | | | | | | | | | | | |
| 32A | 2P+E | 200/250 | 6 | █ | 02314 | 02304 | 02324 | 02204 | | | | | | | | | | | |
| | | 480/500 | 7 | █ | - | 05304 | 05324 | 05204 | | | | | | | | | | | |
| | | 380/415 | 9 | █ | 03314 | 03304 | 03324 | 03204 | | | | | | | | | | | |
| | | >50(301-500Hz) | 2 | █ | - | 07305 | 07325 | 07205 | | | | | | | | | | | |
| | 3P+E | 100/130 | 4 | █ | 01315 | 01305 | 01325 | 01205 | | | | | | | | | | | |
| | | 380/415 | 6 | █ | 03315 | 03305 | 03325 | 03205 | | | | | | | | | | | |
| | | 480/500 | 7 | █ | 05315 | 05305 | 05325 | 05205 | | | | | | | | | | | |
| | | 200/250 | 9 | █ | 02315 | 02305 | 02325 | 02205 | | | | | | | | | | | |
| | 3P+N+E | >50(100-300Hz) | 10 | █ | - | 07385 | 07395 | 07285 | | | | | | | | | | | |
| | | >50(301-500Hz) | 2 | █ | - | 07306 | 07326 | 07206 | | | | | | | | | | | |
| | | 57/100 75/130 | 4 | █ | 01316 | 01306 | 01326 | 01206 | | | | | | | | | | | |
| | | 200/346 240/415 | 6 | █ | 03316 | 03306 | 03326 | 03206 | | | | | | | | | | | |
| | | 277/480 288/500 | 7 | █ | 05316 | 05306 | 05326 | 05206 | | | | | | | | | | | |
| | | 120/208 144/250 | 9 | █ | 02316 | 02306 | 02326 | 02206 | | | | | | | | | | | |

Available with nickel-plated contacts for marine environments. Ask us about price and delivery terms.
See dimensions on pages: 396-397.



IP44 low voltage plugs



| Current | Poles | Voltage (V) | Time code | Wander plugs | Straight flush-fit plugs | Wall plugs | |
|-----------------|--------|-----------------|-----------|---------------|--------------------------|---------------|-------|
| | | | | Reference No. | Reference No. | Reference No. | |
| 16A | 2P+E | >50(301-500Hz) | 2 | | 07101 | - | - |
| | | 100/130 | 4 | | 01101 | 01111 | 01121 |
| | | 200/250 | 6 | | 02101 | 02111 | 02121 |
| | | 480/500 | 7 | | 05101 | - | - |
| | | 380/415 | 9 | | 03101 | 03111 | 03121 |
| | 3P+E | >50(301-500Hz) | 2 | | 07102 | - | - |
| | | 100/130 | 4 | | 01102 | 01112 | 01122 |
| | | 380/415 | 6 | | 03102 | 03112 | 03122 |
| | | 480/500 | 7 | | 05102 | 05112 | 05122 |
| | | 200/250 | 9 | | 02102 | 02112 | 02122 |
| | 3P+N+E | >50(100-300Hz) | 10 | | 07182 | - | - |
| | | >50(301-500Hz) | 2 | | 07103 | - | - |
| | | 57/100 75/130 | 4 | | 01103 | 01113 | 01123 |
| | | 200/346 240/415 | 6 | | 03103 | 03113 | 03123 |
| | | 277/480 288/500 | 7 | | 05103 | 05113 | 05123 |
| 120/208 144/250 | 9 | | 02103 | 02113 | 02123 | | |
| 32A | 2P+E | >50(301-500Hz) | 2 | | 07104 | - | - |
| | | 100/130 | 4 | | 01104 | 01114 | 01124 |
| | | 200/250 | 6 | | 02104 | 02114 | 02124 |
| | | 480/500 | 7 | | 05104 | - | - |
| | | 380/415 | 9 | | 03104 | 03114 | 03124 |
| | 3P+E | >50(301-500Hz) | 2 | | 07105 | - | - |
| | | 100/130 | 4 | | 01105 | 01115 | 01125 |
| | | 380/415 | 6 | | 03105 | 03115 | 03125 |
| | | 480/500 | 7 | | 05105 | 05115 | 05125 |
| | | 200/250 | 9 | | 02105 | 02115 | 02125 |
| | 3P+N+E | >50(100-300Hz) | 10 | | 07185 | - | - |
| | | >50(301-500Hz) | 2 | | 07106 | - | - |
| | | 57/100 75/130 | 4 | | 01106 | 01116 | 01126 |
| | | 200/346 240/415 | 6 | | 03106 | 03116 | 03126 |
| | | 277/480 288/500 | 7 | | 05106 | 05116 | 05126 |
| 120/208 144/250 | 9 | | 02106 | 02116 | 02126 | | |

See dimensions on page: 397.

IP44-IP67 phase inverter connectors



IP44 phase inverter

IP67 phase inverter

| Current | Poles | Voltage (V) | Time code | Reference No. | Reference No. | |
|---------|--------|-------------------|-----------|---------------|---------------|-------|
| 16A | 3P+E | 200/250 | 9 | | 08509 | 08510 |
| | 3P+E | 380/415 | 6 | | 08501 | 08505 |
| | 3P+N+E | 200/346 - 240/415 | 6 | | 08502 | 08506 |
| 32A | 3P+E | 200/250 | 9 | | 08511 | 08512 |
| | 3P+E | 380/415 | 6 | | 08503 | 08507 |
| | 3P+N+E | 200/346 - 240/415 | 6 | | 08504 | 08508 |

LOW VOLTAGE

50/60 Hz industrial plugs and sockets

IP66-IP67 low voltage sockets



| I | Poles | Voltage (V) | Time code | Sloping flush-fit sockets | | Wall sockets | | Wander sockets | |
|-----------------|-----------------|-----------------|-----------|---------------------------|---------------|---------------|---------------|----------------|--------------|
| | | | | Reference No. | Reference No. | Reference No. | Reference No. | | |
| 16A | 2P+E | >50(301-500Hz) | 2 | | 07801 | | 07821 | | 07701 |
| | | 100/130 | 4 | | 01801 | | 01821 | | 01701 |
| | | 200/250 | 6 | | 02801 | | 02821 | | 02701 |
| | | 480/500 | 7 | | 05801 | | 05821 | | 05701 |
| | | 380/415 | 9 | | 03801 | | 03821 | | 03701 |
| | 3P+E | >50(301-500Hz) | 2 | | 07802 | | 07822 | | 07702 |
| | | 100/130 | 4 | | 01802 | | 01822 | | 01702 |
| | | 380/415 | 6 | | 03802 | | 03822 | | 03702 |
| | | 480/500 | 7 | | 05802 | | 05822 | | 05702 |
| | | 200/250 | 9 | | 02802 | | 02822 | | 02702 |
| | 3P+N+E | >50(100-300Hz) | 10 | | 07882 | | 07892 | | 07782 |
| | | >50(301-500Hz) | 2 | | 07803 | | 07823 | | 07703 |
| | | 57/100 75/130 | 4 | | 01803 | | 01823 | | 01703 |
| | | 200/346 240/415 | 6 | | 03803 | | 03823 | | 03703 |
| 277/480 288/500 | | 7 | | 05803 | | 05823 | | 05703 | |
| | | 120/208 144/250 | 9 | | 02803 | | 02823 | 02703 | |
| 32A | 2P+E | >50(301-500Hz) | 2 | | 07804 | | 07824 | | 07704 |
| | | 100/130 | 4 | | 01804 | | 01824 | | 01704 |
| | | 200/250 | 6 | | 02804 | | 02824 | | 02704 |
| | | 480/500 | 7 | | 05804 | | 05824 | | 05704 |
| | | 380/415 | 9 | | 03804 | | 03824 | | 03704 |
| | 3P+E | >50(301-500Hz) | 2 | | 07805 | | 07825 | | 07705 |
| | | 440 (60Hz) | 3 | | 07815 | | 07835 | | 07715 |
| | | 100/130 | 4 | | 01805 | | 01825 | | 01705 |
| | | 380/415 | 6 | | 03805 | | 03825 | | 03705 |
| | | 480/500 | 7 | | 05805 | | 05825 | | 05705 |
| | 3P+N+E | 200/250 | 9 | | 02805 | | 02825 | | 02705 |
| | | >50(100-300Hz) | 10 | | 07885 | | 07895 | | 07785 |
| | | >50(301-500Hz) | 2 | | 07806 | | 07826 | | 07706 |
| | | 57/100 75/130 | 4 | | 01806 | | 01826 | | 01706 |
| 200/346 240/415 | | 6 | | 03806 | | 03826 | | 03706 | |
| | | 277/480 288/500 | 7 | | 05806 | | 05826 | 05706 | |
| | | 120/208 144/250 | 9 | | 02806 | | 02826 | 02706 | |
| 63A | 2P+E | 100/130 | 4 | | 01851 | | 01871 | | 01751 |
| | | 200/250 | 6 | | 02851 | 02851P | 02871 | 02871P | 02751 02751P |
| | 3P+E | 380/415 | 6 | | 03852 | 03852P | 03872 | 03872P | 03752 03752P |
| | | 480/500 | 7 | | 05852 | | 05872 | | 05752 |
| | | 200/250 | 9 | | 02852 | | 02872 | | 02752 |
| 3P+N+E | 200/346 240/415 | 6 | | 03853 | 03853P | 03873 | 03873P | 03753 03753P | |
| 125A | 2P+E | 100/130 | 4 | | 01854 | | 01874 | | 01754 |
| | | 200/250 | 6 | | 02854 | 02854P | 02874 | 02874P | 02754 02754P |
| | 3P+E | 380/415 | 6 | | 03855 | 03855P | 03875 | 03875P | 03755 03755P |
| | | 480/500 | 7 | | 05855 | | 05875 | | 05755 |
| | 3P+N+E | 200/250 | 9 | | 02855 | | 02875 | | 02755 |
| | | 200/346 240/415 | 6 | | 03856 | 03856P | 03876 | 03876P | 03756 03756P |

Available with nickel-plated contacts for marine environments. Ask us about price and delivery terms.

See dimensions on pages: 398-399.

P: Sockets with pilot contact.

IP66-IP67 low voltage plugs



| I | Poles | Voltage (V) | Time code | Wander plugs | | | Flush-fit plugs* | | | Wall plugs | | |
|-----------------|-----------------|-----------------|-----------|---------------|---------------|---------------|------------------|---------------|---------------|---------------|---|--|
| | | | | Reference No. | Reference No. | Reference No. | Reference No. | Reference No. | Reference No. | Reference No. | | |
| 16A | 2P+E | >50(301-500Hz) | 2 | | 07601 | - | - | - | - | - | - | |
| | | 100/130 | 4 | | 01601 | 01611 | 01621 | | | | | |
| | | 200/250 | 6 | | 02601 | 02611 | 02621 | | | | | |
| | | 480/500 | 7 | | 05601 | - | - | | | | | |
| | | 380/415 | 9 | | 03601 | - | - | | | | | |
| | 3P+E | >50(301-500Hz) | 2 | | 07602 | - | - | | | | | |
| | | 100/130 | 4 | | 01602 | - | - | | | | | |
| | | 380/415 | 6 | | 03602 | 03612 | 03622 | | | | | |
| | | 480/500 | 7 | | 05602 | 05612 | 05622 | | | | | |
| | | 200/250 | 9 | | 02602 | 02612 | 02622 | | | | | |
| | 3P+N+E | >50(100-300Hz) | 10 | | 07682 | - | - | | | | | |
| | | >50(301-500Hz) | 2 | | 07603 | - | - | | | | | |
| | | 57/100 75/130 | 4 | | 01603 | - | - | | | | | |
| | | 200/346 240/415 | 6 | | 03603 | 03613 | 03623 | | | | | |
| | | 277/480 288/500 | 7 | | 05603 | - | - | | | | | |
| 120/208 144/250 | 9 | | 02603 | - | - | | | | | | | |
| 32A | 2P+E | >50(301-500Hz) | 2 | | 07604 | - | - | | | | | |
| | | 100/130 | 4 | | 01604 | 01614 | 01624 | | | | | |
| | | 200/250 | 6 | | 02604 | 02614 | 02624 | | | | | |
| | | 480/500 | 7 | | 05604 | - | - | | | | | |
| | | 380/415 | 9 | | 03604 | - | - | | | | | |
| | 3P+E | >50(301-500Hz) | 2 | | 07605 | - | - | | | | | |
| | | 440 (60Hz) | 3 | | 07615 | - | - | | | | | |
| | | 100/130 | 4 | | 01605 | - | - | | | | | |
| | | 380/415 | 6 | | 03605 | 03615 | 03625 | | | | | |
| | | 480/500 | 7 | | 05605 | 05615 | 05625 | | | | | |
| | 3P+N+E | 200/250 | 9 | | 02605 | 02615 | 02625 | | | | | |
| | | >50(100-300Hz) | 10 | | 07685 | - | - | | | | | |
| | | >50(301-500Hz) | 2 | | 07606 | - | - | | | | | |
| | | 57/100 75/130 | 4 | | 01606 | - | - | | | | | |
| | | 200/346 240/415 | 6 | | 03606 | 03616 | 03626 | | | | | |
| 277/480 288/500 | 7 | | 05606 | - | - | | | | | | | |
| 120/208 144/250 | 9 | | 02606 | - | - | | | | | | | |
| 63A | 2P+E | 100/130 | 4 | | 01651 | 01661 | 01671 | | | | | |
| | | 200/250 | 6 | | 02651 | 02661 | 02671 | | | | | |
| | 3P+E | 380/415 | 6 | | 03652 | 03662 | 03672 | | | | | |
| | | 480/500 | 7 | | 05652 | 05662 | 05672 | | | | | |
| | | 200/250 | 9 | | 02652 | 02662 | 02672 | | | | | |
| 3P+N+E | 200/346 240/415 | 6 | | 03653 | 03663 | 03673 | | | | | | |
| 125A | 2P+E | 100/130 | 4 | | 01654 | 01664 | 01674 | | | | | |
| | | 200/250 | 6 | | 02654 | 02664 | 02674 | | | | | |
| | 3P+E | 380/415 | 6 | | 03655 | 03665 | 03675 | | | | | |
| | | 480/500 | 7 | | 05655 | 05665 | 05675 | | | | | |
| | | 200/250 | 9 | | 02655 | 02665 | 02675 | | | | | |
| | 3P+N+E | 200/346 240/415 | 6 | | 03656 | 03666 | 03676 | | | | | |

Available with nickel-plated contacts for marine environments.

Ask us about price and delivery terms.

63A and 125A plugs with pilot contact.

* Flush-fit plugs:

- 16 A - 32 A: Angled IP67.

- 63 A - 125 A: Sloping.

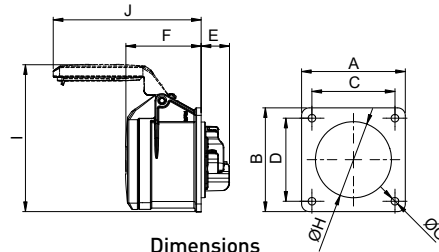
See dimensions on pages: 399-401.

LOW VOLTAGE

50/60 Hz industrial plugs and sockets dimensions

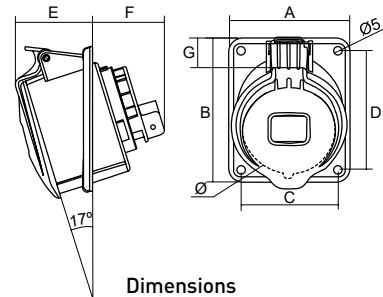
DIMENSIONS

IP44 straight flush-fit sockets



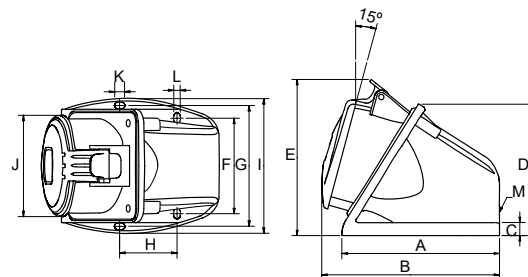
| Current | Poles | Dimensions | | | | | | | |
|---------|--------|------------|-------|----|----|-----|----|-----|-----|
| | | (AxB) | (CxD) | E | F | G | H | I | J |
| 16A | 2P+E | 70x70 | 56x56 | 21 | 55 | 5,5 | 43 | 87 | 101 |
| | 3P+E | 70x70 | 56x56 | 21 | 55 | 5,5 | 45 | 101 | 101 |
| | 3P+N+E | 70x70 | 56x56 | 21 | 55 | 5,5 | 55 | 105 | 107 |
| 32A | 2P+E | 70x70 | 56x56 | 23 | 67 | 5,5 | 55 | 112 | 122 |
| | 3P+E | 70x70 | 56x56 | 23 | 67 | 5,5 | 55 | 112 | 122 |
| | 3P+N+E | 70x70 | 56x56 | 23 | 67 | 5,5 | 58 | 108 | 136 |

IP44 sloping flush-fit sockets



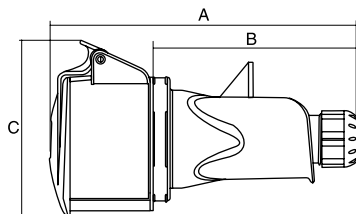
| Current | Poles | Dimensions | | | | | | | |
|---------|--------|------------|----|----|----|----|----|----|----|
| | | A | B | C | D | E | F | Ø | G |
| 16A | 2P+E | 66 | 83 | 50 | 65 | 43 | 43 | 53 | 17 |
| | 3P+E | 66 | 83 | 50 | 65 | 43 | 43 | 60 | 14 |
| | 3P+N+E | 80 | 96 | 64 | 79 | 43 | 47 | 66 | 15 |
| 32A | 2P+E | 80 | 96 | 64 | 79 | 50 | 51 | 68 | 14 |
| | 3P+E | 80 | 96 | 64 | 79 | 50 | 51 | 68 | 14 |
| | 3P+N+E | 80 | 96 | 64 | 79 | 50 | 51 | 74 | 11 |

IP44 wall sockets



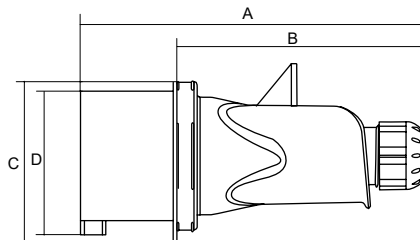
| Current | Poles | Dimensions | | | | | | | | | | | | |
|---------|--------|------------|-----|----|----|-----|------|------|----|-----|------|---|---|---------|
| | | A | B | C | D | E | F | G | H | I | J | K | L | M |
| 16A | 2P+E | 100 | 109 | 10 | 88 | 98 | 53.6 | 76.6 | 40 | 87 | 55.5 | 8 | 5 | M25x1.5 |
| | 3P+E | 100 | 109 | 10 | 88 | 103 | 53.6 | 76.6 | 40 | 87 | 61.8 | 8 | 5 | M25x1.5 |
| | 3P+N+E | 118 | 127 | 10 | 99 | 117 | 71.6 | 90.6 | 43 | 101 | 70 | 8 | 5 | M25x1.5 |
| 32A | 2P+E | 118 | 132 | 10 | 99 | 117 | 71.6 | 90.6 | 43 | 101 | 70 | 8 | 5 | M25x1.5 |
| | 3P+E | 118 | 132 | 10 | 99 | 117 | 71.6 | 90.6 | 43 | 101 | 70 | 8 | 5 | M25x1.5 |
| | 3P+N+E | 118 | 132 | 10 | 99 | 120 | 71.6 | 90.6 | 43 | 101 | 76.7 | 8 | 5 | M25x1.5 |

IP44 wander sockets



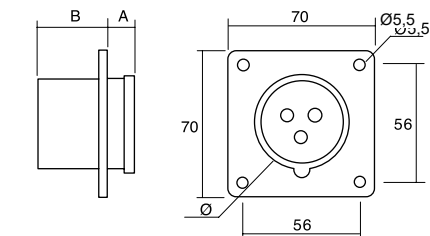
| Current | Poles | Dimensions | | |
|---------|--------|------------|-----|-----|
| | | A | B | C |
| 16A | 2P+E | 151 | 96 | 82 |
| | 3P+E | 156 | 106 | 86 |
| | 3P+N+E | 161 | 111 | 98 |
| 32A | 2P+E | 171 | 111 | 98 |
| | 3P+E | 171 | 111 | 98 |
| | 3P+N+E | 178 | 118 | 102 |

IP44 wander plugs



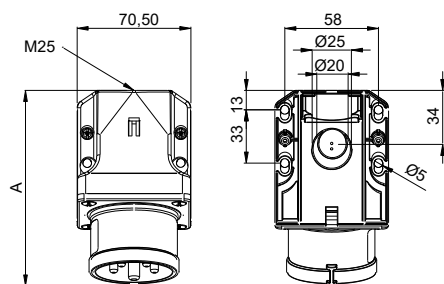
| Current | Poles | Dimensions | | | |
|---------|--------|------------|-----|----|----|
| | | A | B | C | D |
| 16A | 2P+E | 134 | 96 | 55 | 54 |
| | 3P+E | 144 | 106 | 61 | 58 |
| | 3P+N+E | 149 | 111 | 69 | 66 |
| 32A | 2P+E | 156 | 111 | 72 | 66 |
| | 3P+E | 156 | 111 | 72 | 66 |
| | 3P+N+E | 163 | 118 | 78 | 72 |

IP44 straight flush-fit plugs



| Current | Poles | Dimensions | | |
|---------|--------|------------|----|----|
| | | A | B | Ø |
| 16A | 2P+E | 21 | 42 | 43 |
| | 3P+E | 21 | 42 | 45 |
| | 3P+N+E | 20 | 42 | 55 |
| 32A | 2P+E | 21 | 51 | 55 |
| | 3P+E | 21 | 51 | 55 |
| | 3P+N+E | 21 | 51 | 55 |

IP44 wall plugs



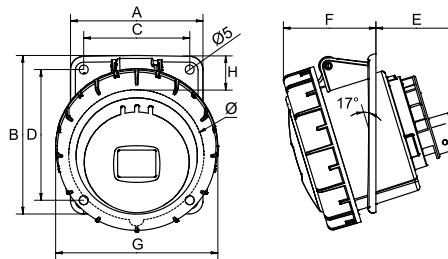
B= Height. 15°= Slope

| Current | Poles | Dimensions | | |
|---------|--------|------------|----|----|
| | | A | B | M |
| 16A | 2P+E | 120 | 76 | 25 |
| | 3P+E | 121 | 76 | 25 |
| | 3P+N+E | 122 | 79 | 25 |
| 32A | 2P+E | 131 | 82 | 25 |
| | 3P+E | 131 | 82 | 25 |
| | 3P+N+E | 132 | 85 | 25 |

LOW VOLTAGE

50/60 Hz industrial plugs and sockets dimensions

IP66-IP67 sloping flush-fit sockets



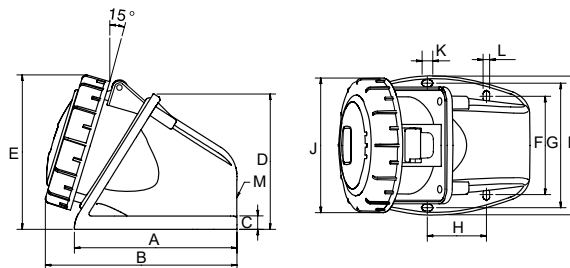
Current

Poles

Dimensions

| Current | Poles | Dimensions | | | | | | | | Ø Oblong (H X W) |
|---------|--------|------------|-----|-----|-----|----|----|-----|----|---------------------|
| | | A | B | C | D | E | F | G | H | |
| 16A | 2P+E | 66 | 83 | 50 | 65 | 43 | 50 | 69 | 17 | 53 |
| | 3P+E | 66 | 83 | 50 | 65 | 43 | 50 | 77 | 14 | 60 |
| | 3P+N+E | 80 | 98 | 64 | 79 | 43 | 50 | 89 | 15 | 66 |
| 32A | 2P+E | 80 | 96 | 64 | 79 | 50 | 56 | 89 | 14 | 68 |
| | 3P+E | 80 | 96 | 64 | 79 | 50 | 56 | 89 | 14 | 68 |
| | 3P+N+E | 80 | 96 | 64 | 79 | 50 | 56 | 98 | 11 | 74 |
| 63A | 2P+E | 100 | 112 | 80 | 88 | 64 | 80 | 109 | - | 92x82 |
| | 3P+E | 100 | 112 | 80 | 88 | 64 | 80 | 109 | - | 92x82 |
| | 3P+N+E | 100 | 112 | 80 | 88 | 64 | 80 | 109 | - | 92x82 |
| 125A | 2P+E | 120 | 130 | 100 | 108 | 92 | 77 | 124 | - | 102x90 |
| | 3P+E | 120 | 130 | 100 | 108 | 92 | 77 | 124 | - | 102x90 |
| | 3P+N+E | 120 | 130 | 100 | 108 | 92 | 77 | 124 | - | 102x90 |

IP66-IP67 wall sockets



Current

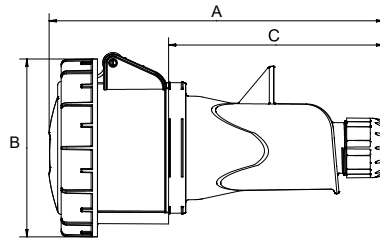
Poles

Dimensions

| Current | Poles | Dimensions | | | | | | | | | | | | |
|---------|--------|------------|-----|----|----|-----|------|------|-----|-----|----|---|---|-----------|
| | | A | B | C | D | E | F | G | H | I | J | K | L | M |
| 16A | 2P+E | 100 | 117 | 10 | 88 | 90 | 53.6 | 76.6 | 40 | 87 | 69 | 8 | 5 | M25x1.5 |
| | 3P+E | 100 | 117 | 10 | 88 | 95 | 53.6 | 76.6 | 40 | 87 | 77 | 8 | 5 | M25x1.5 |
| | 3P+N+E | 118 | 135 | 10 | 99 | 108 | 71.6 | 76.6 | 43 | 101 | 89 | 8 | 5 | M25x1.5 |
| 32A | 2P+E | 118 | 140 | 10 | 99 | 108 | 71.6 | 90.6 | 43 | 101 | 89 | 8 | 5 | M25x1.5 |
| | 3P+E | 118 | 140 | 10 | 99 | 108 | 71.6 | 90.6 | 43 | 101 | 89 | 8 | 5 | M25x1.5 |
| | 3P+N+E | 118 | 140 | 10 | 99 | 111 | 71.6 | 90.6 | 43 | 101 | 98 | 8 | 5 | M25x1.5 |
| 63A | 2P+E | 170 | 213 | - | - | 173 | 104 | - | 136 | 118 | - | - | 6 | M40+2xM32 |
| | 3P+E | 170 | 213 | - | - | 173 | 104 | - | 136 | 118 | - | - | 6 | M40+2xM32 |
| | 3P+N+E | 170 | 213 | - | - | 173 | 104 | - | 136 | 118 | - | - | 6 | M40+2xM32 |
| 125A | 2P+E | 262 | 322 | - | - | 205 | 140 | - | 240 | 162 | - | - | 8 | M63+2xM40 |
| | 3P+E | 262 | 322 | - | - | 205 | 140 | - | 240 | 162 | - | - | 8 | M63+2xM40 |
| | 3P+N+E | 262 | 322 | - | - | 205 | 140 | - | 240 | 162 | - | - | 8 | M63+2xM40 |

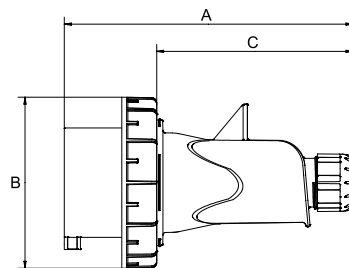
Photo and drawing representative for 16/32A.

IP66-IP67 wander sockets



| Current | Poles | Dimensions | | |
|---------|--------|------------|-----|-----|
| | | A | B | C |
| 16A | 2P+E | 156 | 69 | 96 |
| | 3P+E | 160 | 77 | 106 |
| | 3P+N+E | 172 | 89 | 111 |
| 32A | 2P+E | 182 | 89 | 111 |
| | 3P+E | 182 | 89 | 111 |
| | 3P+N+E | 189 | 98 | 118 |
| 63A | 2P+E | 269 | 114 | - |
| | 3P+E | 269 | 114 | - |
| | 3P+N+E | 269 | 114 | - |
| 125A | 2P+E | 287 | 124 | - |
| | 3P+E | 287 | 124 | - |
| | 3P+N+E | 287 | 124 | - |

IP66-IP67 wander plugs

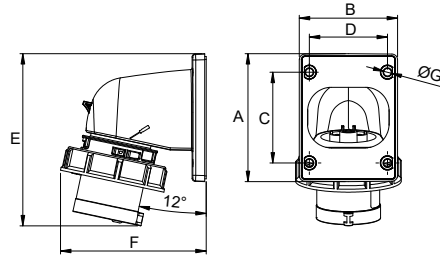


| Current | Poles | Dimensions | | |
|---------|--------|------------|-----|-----|
| | | A | B | C |
| 16A | 2P+E | 134 | 69 | 96 |
| | 3P+E | 144 | 77 | 106 |
| | 3P+N+E | 149 | 89 | 111 |
| 32A | 2P+E | 156 | 89 | 111 |
| | 3P+E | 156 | 89 | 111 |
| | 3P+N+E | 163 | 98 | 118 |
| 63A | 2P+E | 257 | 114 | - |
| | 3P+E | 257 | 114 | - |
| | 3P+N+E | 257 | 114 | - |
| 125A | 2P+E | 270 | 131 | - |
| | 3P+E | 270 | 131 | - |
| | 3P+N+E | 270 | 131 | - |

LOW VOLTAGE

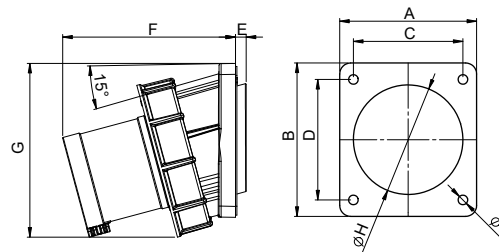
50/60 Hz industrial plugs and sockets dimensions

IP67 angled flush-fit plugs



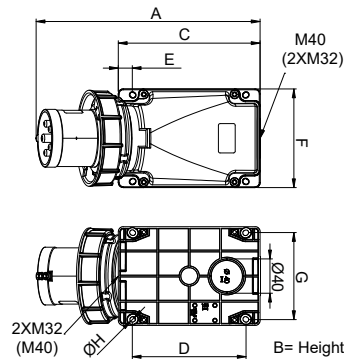
| Current | Poles | Dimensions | | | | | | |
|---------|--------|------------|----|----|----|-----|-----|---|
| | | A | B | C | D | E | F | G |
| 16A | 2P+E | 86 | 66 | 61 | 53 | 116 | 99 | 5 |
| | 3P+E | 86 | 66 | 61 | 53 | 117 | 103 | 5 |
| | 3P+N+E | 100 | 90 | 85 | 77 | 153 | 107 | 5 |
| 32A | 2P+E | 100 | 90 | 85 | 77 | 163 | 110 | 5 |
| | 3P+E | 100 | 90 | 85 | 77 | 163 | 110 | 5 |
| | 3P+N+E | 100 | 90 | 85 | 77 | 164 | 114 | 5 |

IP66-IP67 sloping flush-fit plugs



| Current | Poles | Dimensions | | | | | | | | |
|---------|--------|------------|-----|-----|-----|---|-----|-----|-----|---|
| | | A | B | C | D | E | F | G | H | I |
| 63A | 2P+E | 100 | 112 | 80 | 88 | 8 | 127 | 127 | 80 | 7 |
| | 3P+E | 100 | 112 | 80 | 88 | 8 | 127 | 127 | 80 | 7 |
| | 3P+N+E | 100 | 112 | 80 | 88 | 8 | 127 | 127 | 80 | 7 |
| 125A | 2P+E | 120 | 130 | 100 | 108 | 8 | 139 | 145 | 100 | 7 |
| | 3P+E | 120 | 130 | 100 | 108 | 8 | 139 | 145 | 100 | 7 |
| | 3P+N+E | 120 | 130 | 100 | 108 | 8 | 139 | 145 | 100 | 7 |

IP66-IP67 wall plugs



| Current | Poles | Dimensions | | | | | | | |
|---------|--------|------------|-----|-----|-----|----|-----|-----|----|
| | | A | B | C | D | E | F | G | ØH |
| 16A | 2P+E | 136 | 99 | 103 | 47 | - | 71 | 70 | 5 |
| | 3P+E | 138 | 94 | 100 | 47 | - | 79 | 70 | 5 |
| | 3P+N+E | 140 | 100 | 103 | 47 | - | 87 | 70 | 5 |
| 32A | 2P+E | 150 | 104 | 103 | 47 | - | 93 | 70 | 5 |
| | 3P+E | 153 | 104 | 103 | 47 | - | 93 | 70 | 5 |
| | 3P+N+E | 152 | 102 | 103 | 47 | - | 102 | 70 | 5 |
| 63A | 2P+E | 271 | 175 | 170 | 136 | 17 | 118 | 104 | 6 |
| | 3P+E | 271 | 175 | 170 | 136 | 17 | 118 | 104 | 6 |
| | 3P+N+E | 271 | 175 | 170 | 136 | 17 | 118 | 104 | 6 |
| 125A | 2P+E | 387 | 209 | 262 | 240 | 11 | 162 | 142 | 8 |
| | 3P+E | 387 | 209 | 262 | 240 | 11 | 162 | 142 | 8 |
| | 3P+N+E | 387 | 209 | 262 | 240 | 11 | 162 | 142 | 8 |

Hose diameters for IP44-IP67 plugs and sockets

| Current | Poles | Dimensions | |
|---------|--------|-----------------------|-----------------------|
| | | MINIMUM DIAMETER (mm) | MAXIMUM DIAMETER (mm) |
| 16A | 2P+E | 8.1 | 13 |
| | 3P+E | 8.8 | 14 |
| | 3P+N+E | 10 | 15.3 |
| 32A | 2P+E | 11 | 17.3 |
| | 3P+E | 12.5 | 19.3 |

INTERLOCKING

50/60 Hz industrial sockets



INTERLOCKING SOCKETS

Product series

- IP44-IP54 / IP66-IP67 flush-fit sockets.
- IP44-IP54 / IP66-IP67 wall sockets.
- IP66-IP67 Wall sockets with DIN rail.

- Current: 16 A – 32 A – 63 A.
- Voltage: 110 V – 220 V – 380 V – 500 V.
- Poles: 2P+E – 3P+E – 3P+N+E.
- Time code: 4h - 6h.



Material

- Plastic parts: Polyamide 6.
- Contacts: Copper-zinc alloy.
- Halogen-free plastic materials.

Main characteristics of the plastic material:

- Excellent resistance to impact.
- High thermal stability.
- Very good insulating qualities.
- High disruptive force.
- High resistance to extreme environmental agents.
- High resistance to chemical products and agents.

Main characteristics of the contacts:

- High-capacity electrical conduction: 15 mm²/(Ohm mm²).
- High corrosion resistance in industrial areas.
- Possibility of requesting nickel-plated contacts to increase resistance in marine, steamy environments, etc. (Add /NC to the reference).

Supply

- Supplied in an individual box per packaging multiple.

Technical characteristics

- Available in flush-fit and surface version.
- Sockets with mechanical interlocking with a compact design that saves storage space.
- All the components are assembled on the top part.
- Mechanical interlocking: when the plug is inserted it is blocked, and when the plug is removed, the socket is blocked.
- The interlocking socket with DIN rail has room for five modules.

IP44-IP54-IP66-IP67 low voltage interlocking sockets



| Current | Poles | Voltage (V) | Time code | | | | | |
|---------|--------|-------------------|-----------|---------------------|----------------|---------------------|----------------|------------------------------|
| | | | | IP44-IP54 flush-fit | IP44-IP54 wall | IP66-IP67 flush fit | IP66-IP67 wall | IP66-IP67 wall with DIN rail |
| | | | | Reference No. | Reference No. | Reference No. | Reference No. | Reference No. |
| 16A | 2P+E | 100/130 | 4 | 01351 | 01361 | 01811 | 01831 | 01841 |
| | | 200/250 | 6 | 02351 | 02361 | 02811 | 02831 | 02841 |
| | 3P+E | 380/415 | 6 | 03352 | 03362 | 03812 | 03832 | 03842 |
| | 3P+N+E | 200/346 - 240/415 | 6 | 03353 | 03363 | 03813 | 03833 | 03843 |
| 32A | 2P+E | 100/130 | 4 | 01354 | 01364 | 01814 | 01834 | 01844 |
| | | 200/250 | 6 | 02354 | 02364 | 02814 | 02834 | 02844 |
| | 3P+E | 380/415 | 6 | 03355 | 03365 | 03815 | 03835 | 03845 |
| | 3P+N+E | 200/346 - 240/415 | 6 | 03356 | 03366 | 03816 | 03836 | 03846 |
| 63A | 2P+E | 100/130 | 4 | - | - | - | - | 01881 |
| | | 200/250 | 6 | - | - | - | - | 02881 |
| | 3P+E | 380/415 | 6 | - | - | - | 03839 | 03882 |
| | 3P+N+E | 200/346 - 240/415 | 6 | - | - | - | 03840 | 03883 |

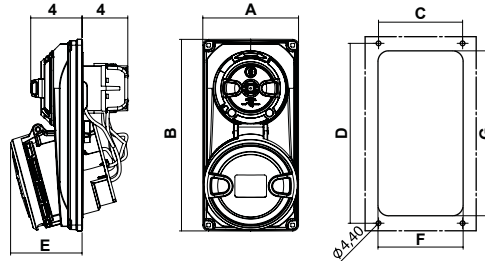
Available with nickel-plated contacts for marine environments. Ask us about price and delivery terms.
See dimensions on pages: 404-405.

INTERLOCKING

50/60 Hz industrial sockets dimensions

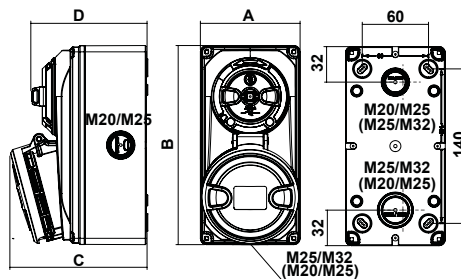
DIMENSIONS

IP44-IP54 flush-fit interlocking sockets



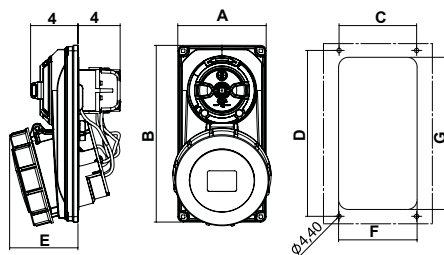
| Current | Poles | Dimensions | | | | | | |
|---------|--------|------------|-----|----|-----|----|----|-----|
| | | A | B | C | D | E | F | G |
| 16A | 2P+E | 90 | 180 | 79 | 169 | 58 | 80 | 155 |
| | 3P+E | 90 | 180 | 79 | 169 | 60 | 80 | 155 |
| | 3P+N+E | 90 | 180 | 79 | 169 | 61 | 80 | 155 |
| 32A | 2P+E | 90 | 180 | 79 | 169 | 66 | 80 | 155 |
| | 3P+E | 90 | 180 | 79 | 169 | 66 | 80 | 155 |
| | 3P+N+E | 90 | 180 | 79 | 169 | 67 | 80 | 155 |

IP44-IP54 wall interlocking sockets



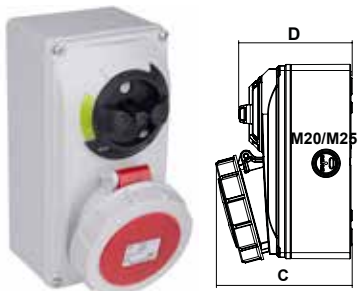
| Current | Poles | Dimensions | | | |
|---------|--------|------------|-----|-----|-----|
| | | A | B | C | D |
| 16A | 2P+E | 90 | 180 | 115 | 105 |
| | 3P+E | 90 | 180 | 117 | 105 |
| | 3P+N+E | 90 | 180 | 118 | 105 |
| 32A | 2P+E | 90 | 180 | 123 | 105 |
| | 3P+E | 90 | 180 | 123 | 105 |
| | 3P+N+E | 90 | 180 | 124 | 105 |

IP66-IP67 flush-fit interlocking sockets



| Current | Poles | Dimensions | | | | | | |
|---------|--------|------------|-----|----|-----|----|----|-----|
| | | A | B | C | D | E | F | G |
| 16A | 2P+E | 90 | 180 | 79 | 169 | 59 | 80 | 155 |
| | 3P+E | 90 | 180 | 79 | 169 | 61 | 80 | 155 |
| | 3P+N+E | 90 | 180 | 79 | 169 | 65 | 80 | 155 |
| 32A | 2P+E | 90 | 180 | 79 | 169 | 67 | 80 | 155 |
| | 3P+E | 90 | 180 | 79 | 169 | 67 | 80 | 155 |
| | 3P+N+E | 90 | 180 | 79 | 169 | 70 | 80 | 155 |


IP66-IP67 wall interlocking sockets



Technical drawings showing dimensions A, B, C, D, E, F, and ØG for 16A, 32A, and 63A sockets. Dimensions are in mm.

| I | Poles | Dimensions | | | | | | |
|-----|--------|------------|-----|-----|-----|----|-----|----|
| | | A | B | C | D | E | F | ØG |
| 16A | 2P+E | 90 | 180 | 116 | 105 | - | - | - |
| | 3P+E | 90 | 180 | 118 | 105 | - | - | - |
| | 3P+N+E | 90 | 180 | 122 | 105 | - | - | - |
| 32A | 2P+E | 90 | 180 | 124 | 105 | - | - | - |
| | 3P+E | 90 | 180 | 124 | 105 | - | - | - |
| | 3P+N+E | 90 | 180 | 127 | 105 | - | - | - |
| 63A | 3P+E | 162 | 310 | 140 | 240 | 11 | 184 | 9 |
| | 3P+N+E | 162 | 310 | 140 | 240 | 11 | 184 | 9 |


Photo and drawing representative for 16 A - 32 A sockets.



Technical drawings showing dimensions A, B, C, D, E, F, and ØG for 63A sockets. Dimensions are in mm.

Photo and drawing representative for 63 A sockets.


IP66-IP67 wall interlocking sockets with DIN rail



Technical drawings showing dimensions A, B, M, and ØG for 16A, 32A, and 63A sockets with DIN rail. Dimensions are in mm.

| Current | Poles | Dimensions | | |
|---------|--------|------------|-----|------|
| | | A | B | M |
| 16A | 2P+E | 361 | 153 | 3x25 |
| | 3P+E | 361 | 153 | 3x25 |
| | 3P+N+E | 363 | 153 | 3x25 |
| 32A | 2P+E | 371 | 153 | 3x25 |
| | 3P+E | 371 | 153 | 3x25 |
| | 3P+N+E | 372 | 153 | 3x25 |
| 63A | 2P+E | 496 | 195 | - |
| | 3P+E | 496 | 195 | - |
| | 3P+N+E | 496 | 195 | - |

Photo and drawing representative for 16 A - 32 A sockets.



Technical drawings showing dimensions A, B, and ØG for 63A sockets with DIN rail. Dimensions are in mm.

Photo and drawing representative for 63 A sockets.

EXTRA LOW VOLTAGE

50/60 Hz industrial plugs and sockets

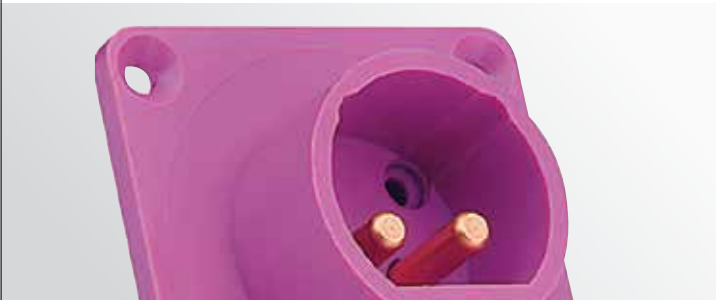


EXTRA LOW VOLTAGE

Product series

- IP44 wander sockets.
- IP44 straight flush-fit sockets.
- IP44 wall sockets.
- IP44 wander plugs.
- IP44 straight flush-fit plugs.
- IP44 wall plugs.

- Current: 16A – 32A.
- Voltage: 24V – 42V / 50/60 Hz – 100 up to 500 Hz.
- Poles: 2P+E – 3P+E.
- Time code: NR. – 2h – 3h – 4h – 10h – 11h – 12h.



Material

- Plastic parts: Polyamide 6.
- Contacts: Copper-zinc alloy.
- Halogen-free plastic materials.

Main characteristics of the plastic material:

- Excellent resistance to impact.
- High thermal stability.
- Very good insulating qualities.
- High disruptive force.
- High resistance to extreme environmental agents.
- High resistance to chemical products and agents.

Main characteristics of the contacts:

- High-capacity electrical conduction: 15 mm²/(Ohm mm²).
- High corrosion resistance in industrial areas.

Supply

- Supplied in an individual box per packaging multiple.

Technical characteristics

- They feature an ergonomic design that makes it extremely easy for the installer to hold and handle them.
- Clipping system opening and closing, with a tool required to access live parts, in compliance with regulations.
- Easy access to cable connection and quick installation.
- Protection from jolts thanks to strong cable sealing.
- Cable diameters from 8 to 24 mm can be used.

IP44 extra low voltage plugs and sockets



| I | Poles | Voltage (V) | Frequency (Hz) | Time code | Wander sockets | Straight flush-fit sockets | Wall sockets | Wander plugs | Straight flush-fit plugs | Wall plugs |
|-----|-------|-------------|----------------|-----------|----------------|----------------------------|---------------|---------------|--------------------------|---------------|
| | | | | | Reference No. | Reference No. | Reference No. | Reference No. | Reference No. | Reference No. |
| 16A | 2P | 24 | 50/60 | nr. | 08201 | 08311 | 08321 | 08101 | 08111 | 08121 |
| | | 42 | 50/60 | 12 | 09201 | 09311 | 09321 | 09101 | 09111 | 09121 |
| | | 24/42 | 100/200 | 4 | 08449 | 08465 | 08481 | 08401 | 08417 | 08433 |
| | | 24/42 | 300 | 2 | 08451 | 08467 | 08483 | 08403 | 08419 | 08435 |
| | | 24/42 | 400 | 3 | 08453 | 08469 | 08485 | 08405 | 08421 | 08437 |
| | | 24/42 | 400/500 | 11 | 08455 | 08471 | 08487 | 08407 | 08423 | 08439 |
| | | 24/42 | dc | 10 | 06201 | 06311 | 06321 | 06101 | 06111 | 06121 |
| | 3P | 24 | 50/60 | nr. | 08202 | 08312 | 08322 | 08102 | 08112 | 08122 |
| | | 42 | 50/60 | 12 | 09202 | 09312 | 09322 | 09102 | 09112 | 09122 |
| | | 24/42 | 100/200 | 4 | 08450 | 08466 | 08482 | 08402 | 08418 | 08434 |
| | | 24/42 | 300 | 2 | 08452 | 08468 | 08484 | 08404 | 08420 | 08436 |
| | | 24/42 | 400 | 3 | 08454 | 08470 | 08486 | 08406 | 08422 | 08438 |
| | | 24/42 | 400/500 | 11 | 08456 | 08472 | 08488 | 08408 | 08424 | 08440 |
| | | 24/42 | dc | 10 | 06202 | 06312 | 06322 | 06102 | 06112 | 06122 |
| 32A | 2P | 24 | 50/60 | nr. | 08204 | 08314 | 08324 | 08104 | 08114 | 08124 |
| | | 42 | 50/60 | 12 | 09204 | 09314 | 09324 | 09104 | 09114 | 09124 |
| | | 24/42 | 100/200 | 4 | 08457 | 08473 | 08489 | 08409 | 08425 | 08441 |
| | | 24/42 | 300 | 2 | 08459 | 08475 | 08491 | 08411 | 08427 | 08443 |
| | | 24/42 | 400 | 3 | 08461 | 08477 | 08493 | 08413 | 08429 | 08445 |
| | | 24/42 | 400/500 | 11 | 08463 | 08479 | 08495 | 08415 | 08431 | 08447 |
| | | 24/42 | dc | 10 | 06204 | 06314 | 06324 | 06104 | 06114 | 06124 |
| | 3P | 24 | 50/60 | nr. | 08205 | 08315 | 08325 | 08105 | 08115 | 08125 |
| | | 42 | 50/60 | 12 | 09205 | 09315 | 09325 | 09105 | 09115 | 09125 |
| | | 24/42 | 100/200 | 4 | 08458 | 08474 | 08490 | 08410 | 08426 | 08442 |
| | | 24/42 | 300 | 2 | 08460 | 08476 | 08492 | 08412 | 08428 | 08444 |
| | | 24/42 | 400 | 3 | 08462 | 08478 | 08494 | 08414 | 08430 | 08446 |
| | | 24/42 | 400/500 | 11 | 08464 | 08480 | 08496 | 08416 | 08432 | 08448 |
| | | 24/42 | dc | 10 | 06205 | 06315 | 06325 | 06105 | 06115 | 06125 |

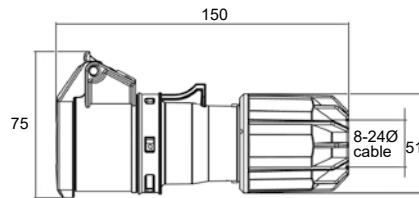
See dimensions on pages: 408-409.

EXTRA LOW VOLTAGE

50/60 Hz industrial plugs and sockets dimensions

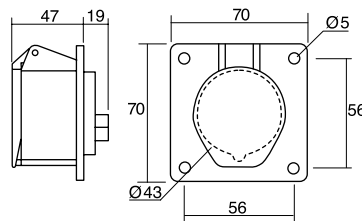
DIMENSIONS

IP44 wander sockets



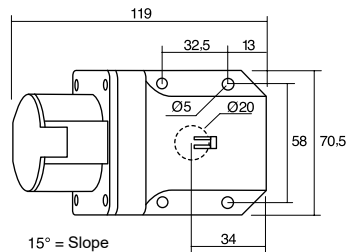
| Current | Poles | Dimensions | |
|---------|-------|------------|--------|
| | | HEIGHT | LENGTH |
| 16A | 2P | 75 | 150 |
| | 3P | 75 | 150 |
| 32A | 2P | 75 | 150 |
| | 3P | 75 | 150 |

IP44 straight flush-fit sockets



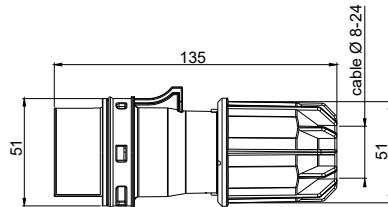
| Current | Poles | Dimensions | | |
|---------|-------|------------|-------|-------|
| | | HEIGHT | WIDTH | DEPTH |
| 16A | 2P | 70 | 70 | 66 |
| | 3P | 70 | 70 | 66 |
| 32A | 2P | 70 | 70 | 66 |
| | 3P | 70 | 70 | 66 |

IP44 wall sockets



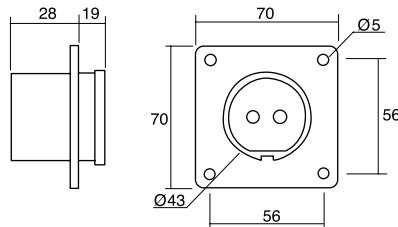
| Current | Poles | Dimensions | | |
|---------|-------|------------|-------|--------|
| | | HEIGHT | WIDTH | LENGTH |
| 16A | 2P | 85 | 70.5 | 119 |
| | 3P | 85 | 70.5 | 119 |
| 32A | 2P | 85 | 70.5 | 119 |
| | 3P | 85 | 70.5 | 119 |

IP44 wander plugs



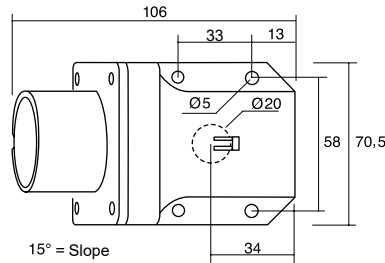
| Current | Poles | Dimensions | |
|---------|-------|------------|--------|
| | | HEIGHT | LENGTH |
| 16A | 2P | 51 | 135 |
| | 3P | 51 | 135 |
| 32A | 2P | 51 | 135 |
| | 3P | 51 | 135 |

IP44 straight flush-fit plugs



| Current | Poles | Dimensions | | |
|---------|-------|------------|-------|-------|
| | | HEIGHT | WIDTH | DEPTH |
| 16A | 2P | 70 | 70 | 47 |
| | 3P | 70 | 70 | 47 |
| 32A | 2P | 70 | 70 | 47 |
| | 3P | 70 | 70 | 47 |

IP44 wall plugs



| Current | Poles | Dimensions | | |
|---------|-------|------------|-------|-------|
| | | HEIGHT | WIDTH | DEPTH |
| 16A | 2P | 77 | 70.5 | 106 |
| | 3P | 77 | 70.5 | 106 |
| 32A | 2P | 77 | 70.5 | 106 |
| | 3P | 77 | 70.5 | 106 |

PACKING UNITS

Plastic enclosures

Pryma



| Ref. | MOQ | Packing |
|--------|-----|---------|
| 178P | 5 | Single |
| 178M | 5 | Single |
| 1712GM | 2 | Single |
| 1724GM | 2 | Single |

Star



| Ref. | MOQ | Packing |
|--------------------|-----|---------|
| CSNPLUS - PCSNPLUS | 6 | Single |
| CSN4PT | 6 | Single |
| CSN6PT - PCSN6PT | 6 | Single |
| CSN9PT - PCSN9PT | 5 | Single |
| CSN12PT - PCSN12PT | 4 | Single |
| CSN18PT - PCSN18PT | 2 | Single |
| CSN24PT - PCSN24PT | 1 | Single |
| CSN36PT - PCSN36PT | 1 | Single |

Ecology



| Ref. | MOQ | Packing |
|-----------------------|-----|---------|
| CDN4G | 15 | Single |
| CDN4PT - CDP4PT | 6 | Single |
| CDN6PT - CDP6PT | 6 | Single |
| CDN8PT - CDP8PT | 4 | Single |
| CDN12PT - CDP12PT | 4 | Single |
| CDN18PT - CDP18PT | 4 | Single |
| CDN24PT - CDP24PT | 4 | Single |
| CDN36PT2F - CDP36PT2F | 2 | Single |
| CDN36PT3F - CDP36PT3F | 2 | Single |
| CDN54PT - CDP54PT | 1 | Single |

Light



| Ref. | MOQ | Packing |
|-----------------------------|-----|----------|
| EP048 | 134 | Multiple |
| EP088 | 184 | Multiple |
| EV111 | 85 | Multiple |
| EV161 | 45 | Multiple |
| EV171 - EX171 - EL171 | 26 | Multiple |
| EVT171-EXT171-ELT171 | 10 | Multiple |
| EV231 | 16 | Multiple |
| EX231 - EL231 | 18 | Multiple |
| EVT231-EXT231-ELT231 | 6 | Multiple |
| EV322 - EX322 - EL322 | 6 | Multiple |
| EVT322 - EXT322 - ELT322 | 6 | Multiple |
| EX088 | 208 | Multiple |
| EX111 - EL111 | 88 | Multiple |
| EX161 - EL161 | 48 | Multiple |
| GSV171 - GSX171 - GSL171 | 12 | Multiple |
| GSVT171-GSXT171-GSLT171 | 6 | Multiple |
| GSV231 - GSX231 - GSL231 | 3 | Multiple |
| GSVT231 - GSXT231 - GSLT231 | 3 | Multiple |
| GSV322 - GSX322 - GSL322 | 2 | Multiple |
| GSVT322 - GSXT322 - GSLT322 | 2 | Multiple |

Small distribution boxes



| Ref. | MOQ | Packing |
|-----------|-----|----------|
| BT2 | 36 | Multiple |
| BT4 | 24 | Multiple |
| BV4 - BM4 | 12 | Single |
| BV8 - BM8 | 10 | Single |
| CDN4G | 15 | Single |

Gold



| Ref. | MOQ | Packing |
|-----------|-----|---------|
| GPS-GPE12 | 8 | Single |
| GPS-GPE18 | 6 | Single |
| GPS-GPE24 | 6 | Single |
| GPS-GPE36 | 4 | Single |

Diamant



| Ref. | MOQ | Packing |
|----------|-----|---------|
| DFF36PO | 5 | Single |
| DFF42PO | 3 | Single |
| DFF54PO | 3 | Single |
| DFF72PO | 1 | Single |
| DFF84PO | 1 | Single |
| DFF108PO | 1 | Single |

Silver



| Ref. | MOQ | Packing |
|----------------------|-----|---------|
| SIL14PO - SIL14PO/PH | 1 | Single |
| SIL28PO - SIL28PO/PH | 1 | Single |
| SIL42PO - SIL42PO/PH | 1 | Single |
| SIL56PO - SIL56PO/PH | 1 | Single |
| SIL70PO - SIL70PO/PH | 1 | Single |

PACKING UNITS

Plastic enclosures

Domos-K



| Ref. | MOQ | Packing |
|---------|-----|----------|
| D70/1K | 110 | Multiple |
| D70/2K | 60 | Multiple |
| D70/3K | 40 | Multiple |
| D70/4K | 28 | Multiple |
| D70/5K | 15 | Multiple |
| CT115/K | 60 | Multiple |
| CT155/K | 27 | Multiple |
| CT217/K | 12 | Multiple |

Domos



| Ref. | MOQ | Packing |
|--------------|-----|----------|
| D88 | 640 | Multiple |
| D70 | 200 | Multiple |
| D100 | 36 | Multiple |
| D110 - CT110 | 120 | Multiple |
| D114 | 70 | Multiple |
| D210 - CT210 | 38 | Multiple |
| CT114 | 70 | Multiple |
| CT220 | 18 | Multiple |
| CT225 | 14 | Multiple |
| CT326 | 9 | Multiple |
| CT338 | 2 | Multiple |
| CT536 | 7 | Multiple |
| CT536/PH | 6 | Multiple |

Verdi



| Ref. | MOQ | Packing |
|-------|-----|----------|
| 45001 | 40 | Multiple |
| 45002 | 40 | Multiple |
| 45003 | 36 | Multiple |
| 45004 | 20 | Multiple |
| 45011 | 50 | Multiple |
| 45012 | 50 | Multiple |
| 45013 | 40 | Multiple |
| 45014 | 20 | Multiple |
| 45016 | 18 | Multiple |
| 45018 | 1 | Multiple |

American



| Ref. | MOQ | Packing |
|-------|-----|----------|
| 45080 | 269 | Multiple |
| 45081 | 129 | Multiple |
| 45082 | 540 | Multiple |
| 45083 | 310 | Multiple |

PACKING UNITS

Industrial plugs and sockets

SCHUKO-TYPE

IP44 Schuko-type sockets



| Ref. | Description | MOQ |
|-------|-------------------------|-----|
| 00101 | IP44 2P+E 250V 16A GREY | 36 |
| 00102 | IP44 2P+E 250V 16A BLUE | 36 |
| 00103 | IP44 2P+E 250V 16A GREY | 18 |
| 00104 | IP44 2P+E 250V 16A BLUE | 18 |

IP54 Schuko-type sockets



| Ref. | Description | MOQ |
|-------|-----------------------------------------------------|-----|
| 00456 | IP54 2P+E 250V 16A RED | 24 |
| 00452 | IP54 2P+E 16A 250V SCREW TERMINAL BLUE | 24 |
| 00402 | IP54 2P+E 16A 250V SCREWLESS TERMINAL BLUE | 24 |
| 00464 | IP54 2P+E 16A 250V SCREW TERMINAL BLUE - FRENCH | 24 |
| 00414 | IP54 2P+E 16A 250V SCREWLESS TERMINAL BLUE - FRENCH | 24 |

IP67-IP68 Schuko-type sockets and plugs



| Ref. | Description | MOQ |
|-------|--------------------------------------|-----|
| 00105 | IP67 2P+E 220/230V 16A BLUE | 18 |
| 00164 | IP67 2P+E 220/230V 16A BLUE - FRENCH | 18 |
| 00135 | IP67 2P+E 220/230V 16A BLUE | 5 |
| 00118 | IP68 2P+E 220/230V 16A BLUE | 1 |
| 00114 | IP67 2P+E 220/230V 16A BLUE | 10 |

Rubber sockets and plugs



| Ref. | Description | MOQ |
|---------|----------------------------------------------|-----|
| 00115 | IP54 WANDER PLUG 2P+E 250V 16A GERMAN-FRENCH | 30 |
| 00125 | IP20 WANDER SOCKET 2P+E 250V 16A | 20 |
| 00125/F | IP20 WANDER SOCKET 2P+E 250V 16A FRENCH | 20 |
| 00130 | IP44 MULTIPLE SOCKET 3x 2P+E 250V 16A | 5 |

IP44 Combo sockets and plugs



| Ref. | Description | MOQ |
|-------|----------------------------------|-----|
| 00211 | IP44 SOCKET 2P+E 220V 16A 6H | 5 |
| 00312 | IP44 SOCKET 3P+E 380V 16A 6H | 5 |
| 00313 | IP44 SOCKET 3P+N+E 380V 16A 6H | 5 |
| 00214 | IP44 SOCKET 2P+E 220V 32A 6H | 5 |
| 00315 | IP44 SOCKET 3P+E 380V 32A 6H | 5 |
| 00316 | IP44 SOCKET 3P+N+E 380V 32A 6H | 5 |
| 00121 | IP44 SOCKET 2P+E 230/230V 16A 6H | 10 |
| 00123 | IP44 PLUG 3P+N+E 400/230V 16A 6H | 10 |

IP44 Multiple socket



| Ref. | Description | MOQ |
|-------|---------------------------------------|-----|
| 00140 | IP44 2P+E 230V 16A - 1 PLUG 3 SOCKETS | 1 |

Data socket



| Ref. | Description | MOQ |
|-------|--------------------------|-----|
| 00145 | Network socket housing | 10 |
| 00146 | Network socket connector | 10 |

PACKING UNITS

Industrial plugs and sockets

IP44 LOW VOLTAGE

IP44 Straight flush-fit sockets



| Ref. | Description | MOQ |
|-------|-------------------------|-----|
| 01311 | IP44 2P+E 110V 16A 4H | 10 |
| 02311 | IP44 2P+E 220V 16A 6H | 10 |
| 03311 | IP44 2P+E 380V 16A 9H | 10 |
| 01312 | IP44 3P+E 110V 16A 4H | 10 |
| 03312 | IP44 3P+E 380V 16A 6H | 10 |
| 05312 | IP44 3P+E 500V 16A 7H | 10 |
| 02312 | IP44 3P+E 220V 16A 9H | 10 |
| 01313 | IP44 3P+N+E 110V 16A 4H | 10 |
| 03313 | IP44 3P+N+E 380V 16A 6H | 10 |
| 05313 | IP44 3P+N+E 500V 16A 7H | 10 |
| 02313 | IP44 3P+N+E 220V 16A 9H | 10 |
| 01314 | IP44 2P+E 110V 32A 4H | 10 |
| 02314 | IP44 2P+E 220V 32A 6H | 10 |
| 03314 | IP44 2P+E 380V 32A 9H | 10 |
| 01315 | IP44 3P+E 110V 32A 4H | 10 |
| 03315 | IP44 3P+E 380V 32A 6H | 10 |
| 05315 | IP44 3P+E 500V 32A 7H | 10 |
| 02315 | IP44 3P+E 220V 32A 9H | 10 |
| 01316 | IP44 3P+N+E 110V 32A 4H | 10 |
| 03316 | IP44 3P+N+E 380V 32A 6H | 10 |
| 05316 | IP44 3P+N+E 500V 32A 7H | 10 |
| 02316 | IP44 3P+N+E 220V 32A 9H | 10 |

IP44 Sloping flush-fit sockets



| Ref. | Description | MOQ |
|-------|---------------------------|-----|
| 07301 | IP44 2P+E 300HZ 16A 2H | 10 |
| 01301 | IP44 2P+E 110V 16A 4H | 10 |
| 02301 | IP44 2P+E 220V 16A 6H | 10 |
| 05301 | IP44 2P+E 500V 16A 7H | 10 |
| 03301 | IP44 2P+E 380V 16A 9H | 10 |
| 07302 | IP44 3P+E 300HZ 16A 2H | 10 |
| 01302 | IP44 3P+E 110V 16A 4H | 10 |
| 03302 | IP44 3P+E 380V 16A 6H | 10 |
| 05302 | IP44 3P+E 500V 16A 7H | 10 |
| 02302 | IP44 3P+E 220V 16A 9H | 10 |
| 07382 | IP44 3P+E 16A 10H | 10 |
| 07303 | IP44 3P+N+E 300 HZ 16A 2H | 10 |
| 01303 | IP44 3P+N+E 110V 16A 4H | 10 |
| 03303 | IP44 3P+N+E 380V 16A 6H | 10 |
| 05303 | IP44 3P+N+E 500V 16A 7H | 10 |
| 02303 | IP44 3P+N+E 220V 16A 9H | 10 |
| 07304 | IP44 2P+E 300HZ 32A 2H | 8 |
| 01304 | IP44 2P+E 110V 32A 4H | 8 |
| 02304 | IP44 2P+E 220V 32A 6H | 8 |
| 05304 | IP44 2P+E 500V 32A 7H | 8 |
| 03304 | IP44 2P+E 380V 32A 9H | 8 |
| 07305 | IP44 3P+E 300HZ 32A 2H | 8 |
| 01305 | IP44 3P+E 110V 32A 4H | 8 |
| 03305 | IP44 3P+E 380V 32A 6H | 8 |
| 05305 | IP44 3P+E 500V 32A 7H | 8 |
| 02305 | IP44 3P+E 220V 32A 9H | 8 |
| 07385 | IP44 3P+E >50V 32A 10H | 8 |
| 07306 | IP44 3P+N+E 300HZ 32A 2H | 8 |
| 01306 | IP44 3P+N+E 110V 32A 4H | 8 |
| 03306 | IP44 3P+N+E 380V 32A 6H | 8 |
| 05306 | IP44 3P+N+E 500V 32A 7H | 8 |
| 02306 | IP44 3P+N+E 220V 32A 9H | 8 |

PACKING UNITS

Industrial plugs and sockets

IP44 Wall sockets



| Ref. | Description | MOQ |
|--------------|--------------------------|-----|
| 07321 | IP44 2P+E 300HZ 16A 2H | 10 |
| 01321 | IP44 2P+E 110V 16A 4H | 10 |
| 02321 | IP44 2P+E 220V 16A 6H | 10 |
| 05321 | IP44 2P+E 480V 16A 7H | 10 |
| 03321 | IP44 2P+E 380V 16A 9H | 10 |
| 07322 | IP44 3P+E 300HZ 16A 2H | 10 |
| 01322 | IP44 3P+E 110V 16A 4H | 10 |
| 03322 | IP44 3P+E 380V 16A 6H | 10 |
| 05322 | IP44 3P+E 500V 16A 7H | 10 |
| 02322 | IP44 3P+E 220V 16A 9H | 10 |
| 07352 | IP44 3P+E 100HZ 16A 10H | 10 |
| 07323 | IP44 3P+N+E 300HZ 16A 2H | 10 |
| 01323 | IP44 3P+N+E 110V 16A 4H | 10 |
| 03323 | IP44 3P+N+E 380V 16A 6H | 10 |
| 05323 | IP44 3P+N+E 500V 16A 7H | 10 |
| 02323 | IP44 3P+N+E 220V 16A 9H | 10 |
| 07324 | IP44 2P+E 300HZ 32A 2H | 10 |
| 01324 | IP44 2P+E 110V 32A 4H | 10 |
| 02324 | IP44 2P+E 220V 32A 6H | 10 |
| 05324 | IP44 2P+E 480V 32A 7H | 10 |
| 03324 | IP44 2P+E 380V 32A 9H | 10 |
| 07325 | IP44 3P+E 300HZ 32A 2H | 10 |
| 01325 | IP44 3P+E 110V 32A 4H | 10 |
| 03325 | IP44 3P+E 380V 32A 6H | 10 |
| 05325 | IP44 3P+E 500V 32A 7H | 10 |
| 02325 | IP44 3P+E 220V 32A 9H | 10 |
| 07395 | IP44 3P+E 100HZ 32A 10H | 10 |
| 07326 | IP44 3P+N+E 300HZ 32A 2H | 10 |
| 01326 | IP44 3P+N+E 110V 32A 4H | 10 |
| 03326 | IP44 3P+N+E 380V 32A 6H | 10 |
| 05326 | IP44 3P+N+E 500V 32A 7H | 10 |
| 02326 | IP44 3P+N+E 220V 32A 9H | 10 |

IP44 Wander sockets



| Ref. | Description | MOQ |
|--------------|--------------------------|-----|
| 07201 | IP44 2P+E 300HZ 16A 2H | 12 |
| 01201 | IP44 2P+E 110V 16A 4H | 12 |
| 02201 | IP44 2P+E 220V 16A 6H | 12 |
| 05201 | IP44 2P+E 500V 16A 7H | 12 |
| 03201 | IP44 2P+E 380V 16A 9H | 12 |
| 07202 | IP44 3P+E 300HZ 16A 2H | 10 |
| 01202 | IP44 3P+E 110V 16A 4H | 10 |
| 03202 | IP44 3P+E 380V 16A 6H | 10 |
| 05202 | IP44 3P+E 500V 16A 7H | 10 |
| 02202 | IP44 3P+E 220V 16A 9H | 10 |
| 07282 | IP44 3P+E 100HZ 16A 10H | 10 |
| 07203 | IP44 3P+N+E 300HZ 16A 2H | 10 |
| 01203 | IP44 3P+N+E 110V 16A 4H | 10 |
| 03203 | IP44 3P+N+E 380V 16A 6H | 10 |
| 05203 | IP44 3P+N+E 500V 16A 7H | 10 |
| 02203 | IP44 3P+N+E 220V 16A 9H | 10 |
| 07204 | IP44 2P+E 300HZ 32A 2H | 8 |
| 01204 | IP44 2P+E 110V 32A 4H | 8 |
| 02204 | IP44 2P+E 220V 32A 6H | 8 |
| 05204 | IP44 2P+E 500V 32A 7H | 8 |
| 03204 | IP44 2P+E 380V 32A 9H | 8 |
| 07205 | IP44 3P+E 300HZ 32A 2H | 8 |
| 01205 | IP44 3P+E 110V 32A 4H | 8 |
| 03205 | IP44 3P+E 380V 32A 6H | 8 |
| 05205 | IP44 3P+E 500V 32A 7H | 8 |
| 02205 | IP44 3P+E 220V 32A 9H | 8 |
| 07285 | IP44 3P+E 100HZ 32A 10H | 8 |
| 07206 | IP44 3P+N+E 300HZ 32A 2H | 8 |
| 01206 | IP44 3P+N+E 110V 32A 4H | 8 |
| 03206 | IP44 3P+N+E 380V 32A 6H | 8 |
| 05206 | IP44 3P+N+E 500V 32A 7H | 8 |
| 02206 | IP44 3P+N+E 220V 32A 9H | 8 |

PACKING UNITS

Industrial plugs and sockets

IP44 Straight flush-fit plugs



| Ref. | Description | MOQ |
|-------|-------------------------|-----|
| 01111 | IP44 2P+E 110V 16A 4H | 10 |
| 02111 | IP44 2P+E 220V 16A 6H | 10 |
| 03111 | IP44 2P+E 380V 16A 9H | 10 |
| 01112 | IP44 3P+E 110V 16A 4H | 10 |
| 03112 | IP44 3P+E 380V 16A 6H | 10 |
| 05112 | IP44 3P+E 500V 16A 7H | 10 |
| 02112 | IP44 3P+E 220V 16A 9H | 10 |
| 01113 | IP44 3P+N+E 110V 16A 4H | 10 |
| 03113 | IP44 3P+N+E 380V 16A 6H | 10 |
| 05113 | IP44 3P+N+E 500V 16A 7H | 10 |
| 02113 | IP44 3P+N+E 220V 16A 9H | 10 |
| 01114 | IP44 2P+E 110V 32A 4H | 10 |
| 02114 | IP44 2P+E 220V 32A 6H | 10 |
| 03114 | IP44 2P+E 380V 32A 9H | 10 |
| 01115 | IP44 3P+E 110V 32A 4H | 10 |
| 03115 | IP44 3P+E 380V 32A 6H | 10 |
| 05115 | IP44 3P+E 500V 32A 7H | 10 |
| 02115 | IP44 3P+E 220V 32A 9H | 10 |
| 01116 | IP44 3P+N+E 110V 32A 4H | 10 |
| 03116 | IP44 3P+N+E 380V 32A 6H | 10 |
| 05116 | IP44 3P+N+E 500V 32A 7H | 10 |
| 02116 | IP44 3P+N+E 220V 32A 9H | 10 |

IP44 Wall plugs



| Ref. | Description | MOQ |
|-------|-------------------------|-----|
| 01121 | IP44 2P+E 110V 16A 4H | 10 |
| 02121 | IP44 2P+E 220V 16A 6H | 10 |
| 03121 | IP44 2P+E 380V 16A 9H | 10 |
| 01122 | IP44 3P+E 110V 16A 4H | 10 |
| 03122 | IP44 3P+E 380V 16A 6H | 10 |
| 05122 | IP44 3P+E 500V 16A 7H | 10 |
| 02122 | IP44 3P+E 220V 16A 9H | 10 |
| 01123 | IP44 3P+N+E 110V 16A 4H | 10 |
| 03123 | IP44 3P+N+E 380V 16A 6H | 10 |
| 05123 | IP44 3P+N+E 500V 16A 7H | 10 |
| 02123 | IP44 3P+N+E 220V 16A 9H | 10 |
| 01124 | IP44 2P+E 110V 32A 4H | 10 |
| 02124 | IP44 2P+E 220V 32A 6H | 10 |
| 03124 | IP44 2P+E 380V 32A 9H | 10 |
| 01125 | IP44 3P+E 110V 32A 4H | 10 |
| 03125 | IP44 3P+E 380V 32A 6H | 10 |
| 05125 | IP44 3P+E 500V 32A 7H | 10 |
| 02125 | IP44 3P+E 220V 32A 9H | 10 |
| 01126 | IP44 3P+N+E 110V 32A 4H | 10 |
| 03126 | IP44 3P+N+E 380V 32A 6H | 10 |
| 05126 | IP44 3P+N+E 500V 32A 7H | 10 |
| 02126 | IP44 3P+N+E 220V 32A 9H | 10 |

IP44 Wander plugs



| Ref. | Description | MOQ |
|-------|---------------------------|-----|
| 07101 | IP44 2P+E 300HZ 16A 2H | 12 |
| 01101 | IP44 2P+E 110V 16A 4H | 12 |
| 02101 | IP44 2P+E 220V 16A 6H | 12 |
| 05101 | IP44 2P+E 500V 16A 7H | 12 |
| 03101 | IP44 2P+E 380V 16A 9H | 12 |
| 07102 | IP44 3P+E 300HZ 16A 2H | 10 |
| 01102 | IP44 3P+E 110V 16A 4H | 10 |
| 03102 | IP44 3P+E 380V 16A 6H | 10 |
| 05102 | IP44 3P+E 500V 16A 7H | 10 |
| 02102 | IP44 3P+E 220V 16A 9H | 10 |
| 07182 | IP44 3P+E 100HZ 16A 10H | 10 |
| 07103 | IP44 3P+N+E 300HZ 16A 2H | 10 |
| 01103 | IP44 3P+N+E 110V 16A 4H | 10 |
| 03103 | IP44 3P+N+E 380V 16A 6H | 10 |
| 05103 | IP44 3P+N+E 500V 16A 7H | 10 |
| 02103 | IP44 3P+N+E 220V 16A 9H | 10 |
| 07104 | IP44 2P+E 300HZ 32A 2H | 8 |
| 01104 | IP44 2P+E 110V 32A 4H | 8 |
| 02104 | IP44 2P+E 220V 32A 6H | 8 |
| 05104 | IP44 2P+E 500V 32A 7H | 8 |
| 03104 | IP44 2P+E 380V 32A 9H | 8 |
| 07105 | IP44 3P+E 300 HZ 32A 2H | 8 |
| 01105 | IP44 3P+E 110V 32A 4H | 8 |
| 03105 | IP44 3P+E 380V 32A 6H | 8 |
| 05105 | IP44 3P+E 500V 32A 7H | 8 |
| 02105 | IP44 3P+E 220V 32A 9H | 8 |
| 07185 | IP44 3P+E 100HZ 32A 10H | 12 |
| 07106 | IP44 3P+N+E 300HZ 32A 10H | 10 |
| 01106 | IP44 3P+N+E 110V 32A 4H | 8 |
| 03106 | IP44 3P+N+E 380V 32A 6H | 8 |
| 05106 | IP44 3P+N+E 500V 32A 7H | 8 |
| 02106 | IP44 3P+N+E 220V 32A 9H | 8 |

IP44-IP67 Phase inverter connectors



| Ref. | Description | MOQ |
|-------|-----------------------------|-----|
| 08509 | IP44 3P+E 200-250V 16A 9H | 1 |
| 08501 | IP44 3P+E 380-415V 16A 6H | 1 |
| 08502 | IP44 3P+N+E 200-415V 16A 6H | 1 |
| 08511 | IP44 3P+E 200-250V 32A 9H | 1 |
| 08503 | IP44 3P+E 380-415V 32A 6H | 1 |
| 08504 | IP44 3P+N+E 200-415V 32A 6H | 1 |
| 08510 | IP67 3P+E 200-250V 16A 9H | 1 |
| 08505 | IP67 3P+E 380-415V 16A 6H | 1 |
| 08506 | IP67 3P+N+E 200-415V 16A 6H | 1 |
| 08512 | IP67 3P+E 200-250V 32A 9H | 1 |
| 08507 | IP67 3P+E 380-415V 32A 6H | 1 |
| 08508 | IP67 3P+N+E 200-415V 32A 6H | 1 |

PACKING UNITS

Industrial plugs and sockets

IP67 LOW VOLTAGE

IP67 Sloping flush-fit sockets



| Ref. | Description | MOQ |
|--------|----------------------------------------|-----|
| 07801 | IP67 2P+E 300HZ 16A 2H | 8 |
| 01801 | IP67 2P+E 110V 16A 4H | 8 |
| 02801 | IP67 2P+E 220V 16A 6H | 8 |
| 05801 | IP67 2P+E 480V 16A 7H | 8 |
| 03801 | IP67 2P+E 380V 16A 9H | 8 |
| 07802 | IP67 3P+E 300HZ 16A 2H | 8 |
| 01802 | IP67 3P+E 100V 16A 4H | 8 |
| 03802 | IP67 3P+E 380V 16A 6H | 8 |
| 05802 | IP67 3P+E 500V 16A 7H | 8 |
| 02802 | IP67 3P+E 220V 16A 9H | 8 |
| 07882 | IP67 3P+E 100HZ 16A 10H | 8 |
| 07803 | IP67 3P+N+E 300HZ 16A 2H | 8 |
| 01803 | IP67 3P+N+E 57V 16A 4H | 8 |
| 03803 | IP67 3P+N+E 380V 16A 6H | 8 |
| 05803 | IP67 3P+N+E 277V 16A 7H | 8 |
| 02803 | IP67 3P+N+E 120V 16A 9H | 8 |
| 07804 | IP67 2P+E 300HZ 32A 2H | 6 |
| 01804 | IP67 2P+E 110V 32A 4H | 6 |
| 02804 | IP67 2P+E 220V 32A 6H | 6 |
| 05804 | IP67 2P+E 480V 32A 7H | 6 |
| 03804 | IP67 2P+E 380V 32A 9H | 6 |
| 07805 | IP67 3P+E 300HZ 32A 2H | 6 |
| 07815 | IP67 3P+E 440V 32A 3H | 6 |
| 01805 | IP67 3P+E 100V 32A 4H | 6 |
| 03805 | IP67 3P+E 380V 32A 6H | 6 |
| 05805 | IP67 3P+E 500V 32A 7H | 6 |
| 02805 | IP67 3P+E 220V 32A 9H | 6 |
| 07885 | IP67 3P+E 100HZ 32A 10H | 6 |
| 07806 | IP67 3P+N+E 300HZ 32A 2H | 6 |
| 01806 | IP67 3P+N+E 57V 32A 4H | 6 |
| 03806 | IP67 3P+N+E 380V 32A 6H | 6 |
| 05806 | IP67 3P+N+E 277V 32A 7H | 6 |
| 02806 | IP67 3P+N+E 32A 9H | 6 |
| 01851 | IP67 2P+E 110V 63A 4H | 2 |
| 02851 | IP67 2P+E 220V 63A 6H | 2 |
| 02851P | IP67 2P+E 220V 63A 6H Pilot Contact | 2 |
| 03852 | IP67 3P+E 380V 63A 6H | 2 |
| 03852P | IP67 3P+E 380V 63A 6H Pilot Contact | 2 |
| 05852 | IP67 3P+E 500V 63A 7H | 2 |
| 02852 | IP67 3P+E 220V 63A 9H | 2 |
| 03853 | IP67 3P+N+E 380V 63A 6H | 2 |
| 03853P | IP67 3P+N+E 280V 63A 6H Pilot Contact | 2 |
| 01854 | IP67 2P+E 110V 125A 4H | 2 |
| 02854 | IP67 2P+E 220V 125A 6H | 2 |
| 02854P | IP67 2P+E 220V 125A 6H Pilot Contact | 2 |
| 03855 | IP67 3P+E 380V 125A 6H | 1 |
| 03855P | IP67 3P+E 380V 125A 6H Pilot Contact | 2 |
| 05855 | IP67 3P+E 500V 125A 7H | 2 |
| 02855 | IP67 3P+E 220V 125A 9H | 2 |
| 03856 | IP67 3P+N+E 380V 125A 6H | 2 |
| 03856P | IP67 3P+N+E 380V 125A 6H Pilot Contact | 1 |

IP67 Wall sockets



| Ref. | Description | MOQ |
|--------|----------------------------------------|-----|
| 07821 | IP67 2P+E 300HZ 16A 2H | 5 |
| 01821 | IP67 2P+E 110V 16A 4H | 5 |
| 02821 | IP67 2P+E 220V 16A 6H | 5 |
| 05821 | IP67 2P+E 480V 16A 7H | 5 |
| 03821 | IP67 2P+E 380V 16A 9H | 5 |
| 07822 | IP67 3P+E 300HZ 16A 2H | 5 |
| 01822 | IP67 3P+E 100V 16A 4H | 5 |
| 03822 | IP67 3P+E 380V 16A 6H | 5 |
| 05822 | IP67 3P+E 500V 16A 7H | 5 |
| 02822 | IP67 3P+E 220V 16A 9H | 5 |
| 07892 | IP67 3P+E 100HZ 16A 10H | 5 |
| 07823 | IP67 3P+N+E 300HZ 16A 2H | 5 |
| 01823 | IP67 3P+N+E 57V 16A 4H | 5 |
| 03823 | IP67 3P+N+E 380V 16A 6H | 5 |
| 05823 | IP67 3P+N+E 277V 16A 7H | 5 |
| 02823 | IP67 3P+N+E 120V 16A 9H | 5 |
| 07824 | IP67 2P+E 300HZ 32A 2H | 5 |
| 01824 | IP67 2P+E 110V 32A 4H | 5 |
| 02824 | IP67 2P+E 220V 32A 6H | 5 |
| 05824 | IP67 2P+E 480V 32A 7H | 5 |
| 03824 | IP67 2P+E 380V 32A 9H | 5 |
| 07825 | IP67 3P+N+E 300HZ 32A 2H | 5 |
| 07835 | IP67 3P+E 60HZ 32A 3H | 6 |
| 01825 | IP67 3P+E 100V 32A 4H | 5 |
| 03825 | IP67 3P+E 380V 32A 6H | 5 |
| 05825 | IP67 3P+E 500V 32A 7H | 5 |
| 02825 | IP67 3P+E 220V 32A 9H | 5 |
| 07895 | IP67 3P+E 100HZ 32A 10H | 5 |
| 07826 | IP67 3P+N+E 300HZ 32A 2H | 5 |
| 01826 | IP67 3P+N+E 57V 32A 4H | 5 |
| 03826 | IP67 3P+N+E 380V 32A 6H | 5 |
| 05826 | IP67 3P+N+E 277V 32A 7H | 5 |
| 02826 | IP67 3P+N+E 120V 32A 9H | 5 |
| 01871 | IP67 2P+E 110V 63A 4H | 2 |
| 02871 | IP67 2P+E 220V 63A 6H | 2 |
| 02871P | IP67 2P+E 220V 63A 6H Pilot Contact | 2 |
| 03872 | IP67 3P+E 380V 63A 6H | 2 |
| 03872P | IP67 3P+E 380V 63A 6H Pilot Contact | 1 |
| 05872 | IP67 3P+E 500V 63A 7H | 2 |
| 02872 | IP67 3P+E 220V 63A 9H | 2 |
| 03873 | IP67 3P+N+E 380V 63A 6H | 2 |
| 03873P | IP67 3P+N+E 380V 63A 6H Pilot Contact | 1 |
| 01874 | IP67 2P+E 110V 125A 4H | 2 |
| 02874 | IP67 2P+E 220V 125A 6H | 2 |
| 02874P | IP67 2P+E 220V 125A Pilot Contact | 2 |
| 03875 | IP67 3P+E 380V 125A 6H | 1 |
| 03875P | IP67 3P+E 380V 125A 6H Pilot Contact | 1 |
| 05875 | IP67 3P+E 500V 125A 7H | 1 |
| 02875 | IP67 3P+E 220V 125A 9H | 1 |
| 03876 | IP67 3P+N+E 380V 125A 6H | 1 |
| 03876P | IP67 3P+N+E 380V 125A 6H Pilot Contact | 2 |

PACKING UNITS

Industrial plugs and sockets

IP67 Wander sockets



| Ref. | Description | MOQ |
|---------------|----------------------------------------|-----|
| 07701 | IP67 2P+E 300HZ 16A 2H | 6 |
| 01701 | IP67 2P+E 110V 16A 4H | 6 |
| 02701 | IP67 2P+E 220V 16A 6H | 6 |
| 05701 | IP67 2P+E 480V 16A 7H | 6 |
| 03701 | IP67 2P+E 380V 16A 9H | 6 |
| 07702 | IP67 3P+E 300HZ 16A 2H | 6 |
| 01702 | IP67 3P+E 100V 16A 4H | 6 |
| 03702 | IP67 3P+E 380V 16A 6H | 6 |
| 05702 | IP67 3P+E 500V 16A 7H | 6 |
| 02702 | IP67 3P+E 220V 16A 9H | 6 |
| 07782 | IP67 3P+E 100HZ 16A 10H | 6 |
| 07703 | IP67 3P+N+E 300HZ 16A 2H | 6 |
| 01703 | IP67 3P+N+E 57V 16A 4H | 6 |
| 03703 | IP67 3P+N+E 380V 16A 6H | 6 |
| 05703 | IP67 3P+N+E 277V 16A 7H | 6 |
| 02703 | IP67 3P+N+E 16A 9H | 6 |
| 07704 | IP67 2P+E 300HZ 32A 2H | 5 |
| 01704 | IP67 2P+E 110V 32A 4H | 5 |
| 02704 | IP67 2P+E 220V 32A 6H | 5 |
| 05704 | IP67 2P+E 32A 7H. | 5 |
| 03704 | IP67 2P+E 380V 32A 9H | 5 |
| 07705 | IP67 3P+E 300HZ 32A 2H | 5 |
| 07715 | IP67 3P+E 440V 3H | 5 |
| 01705 | IP67 3P+E 100V 32A 4H | 5 |
| 03705 | IP67 3P+E 380V 32A 6H | 5 |
| 05705 | IP67 3P+E 500V 32A 7H | 5 |
| 02705 | IP67 3P+E 220V 32A 9H | 5 |
| 07785 | IP67 3P+E 100HZ 32A 10H | 5 |
| 07706 | IP67 3P+N+E 300HZ 32A 2H | 5 |
| 01706 | IP67 3P+N+E 57V 32A 4H | 5 |
| 03706 | IP67 3P+N+E 380V 32A 6H | 5 |
| 05706 | IP67 3P+N+E 277V 32A 7H | 5 |
| 02706 | IP67 3P+N+E 120V 32A 9H | 5 |
| 01751 | IP67 2P+E 110V 63A 4H | 2 |
| 02751 | IP67 2P+E 220V 63A 6H | 2 |
| 02751P | IP67 2P+E 220V 63A 6H Pilot Contact | 2 |
| 03752 | IP67 3P+E 380V 63A 6H | 2 |
| 03752P | IP67 3P+E 380V 63A 6H Pilot Contact | 2 |
| 05752 | IP67 3P+E 500V 63A 7H | 2 |
| 02752 | IP67 3P+E 220V 63A 9H | 2 |
| 03753 | IP67 3P+N+E 380V 63A 6H | 2 |
| 03753P | IP67 3P+N+E 380V 63A 6H Pilot Contact | 1 |
| 01754 | IP67 2P+E 110V 125A 4H | 2 |
| 02754 | IP67 2P+E 220V 125A 6H | 2 |
| 02754P | IP67 2P+E 220V 125A 6H Pilot Contact | 2 |
| 03755 | IP67 3P+E 380V 125A 6H | 2 |
| 03755P | IP67 3P+E 380V 125A 6H Pilot Contact | 2 |
| 05755 | IP67 3P+E 500V 125A 7H | 2 |
| 02755 | IP67 3P+E 220V 125A 9H | 1 |
| 03756 | IP67 3P+N+E 380V 125A 6H | 2 |
| 03756P | IP67 3P+N+E 380V 125A 6H Pilot Contact | 1 |

IP67 Flush-fit plugs



| Ref. | Description | MOQ |
|--------------|----------------------------------|-----|
| 01611 | IP67 Angled 2P+E 110V 16A 4H | 10 |
| 02611 | IP67 Angled 2P+E 220V 16A 6H | 10 |
| 03612 | IP67 Angled 3P+E 380V 16A 6H | 10 |
| 05612 | IP67 Angled 3P+E 500V 16A 7H | 10 |
| 02612 | IP67 Angled 3P+E 220V 16A 9H | 10 |
| 03613 | IP67 Angled 3P+N+E 380V 16A 6H | 10 |
| 01614 | IP67 Angled 2P+E 110V 32A 4H | 10 |
| 02614 | IP67 Angled 2P+E 220V 32A 6H | 10 |
| 03615 | IP67 Angled 3P+E 380V 32A 6H | 10 |
| 05615 | IP67 Angled 3P+E 500V 32A 7H | 5 |
| 02615 | IP67 Angled 3P+E 220V 32A 9H | 10 |
| 03616 | IP67 Angled 3P+N+E 380V 32A 6H | 5 |
| 01661 | IP67 Sloping 2P+E 110V 63A 4H | 2 |
| 02661 | IP67 Sloping 2P+E 220V 63A 6H | 2 |
| 03662 | IP67 Sloping 3P+E 380V 63A 6H | 2 |
| 05662 | IP67 Sloping 3P+E 500V 63A 7H | 2 |
| 02662 | IP67 Sloping 3P+E 220V 63A 9H | 2 |
| 03663 | IP67 Sloping 3P+N+E 380V 63A 6H | 2 |
| 01664 | IP67 Sloping 2P+E 110V 125A 4H | 2 |
| 02664 | IP67 Sloping 2P+E 220V 125A 6H | 2 |
| 03665 | IP67 Sloping 3P+E 380V 125A 6H | 2 |
| 05665 | IP67 Sloping 3P+E 500V 125A 7H | 2 |
| 02665 | IP67 Sloping 3P+E 220V 125A 9H | 2 |
| 03666 | IP67 Sloping 3P+N+E 380V 125A 6H | 2 |

IP67 Wall plugs



| Ref. | Description | MOQ |
|--------------|--------------------------|-----|
| 01621 | IP67 2P+E 110V 16A 4H | 10 |
| 02621 | IP67 2P+E 220V 16A 6H | 10 |
| 03622 | IP67 3P+E 380V 16A 6H | 1 |
| 05622 | IP67 3P+E 500V 16A 7H | 5 |
| 02622 | IP67 3P+E 220V 16A 9H | 5 |
| 03623 | IP67 3P+N+E 380V 16A 6H | 5 |
| 01624 | IP67 2P+E 110V 32A 4H | 5 |
| 02624 | IP67 2P+E 220V 32A 6H | 1 |
| 03625 | IP67 3P+E 380V 32A 6H | 5 |
| 05625 | IP67 3P+E 500V 32A 7H | 5 |
| 02625 | IP67 3P+E 220V 32A 9H | 5 |
| 03626 | IP67 3P+N+E 380V 32A 6H | 10 |
| 01671 | IP67 2P+E 110V 63A 4H | 2 |
| 02671 | IP67 2P+E 220V 63A 6H | 1 |
| 03672 | IP67 3P+E 380V 63A 6H | 1 |
| 05672 | IP67 3P+E 500V 63A 7H | 2 |
| 02672 | IP67 3P+E 220V 63A 9H | 1 |
| 03673 | IP67 3P+N+E 380V 63A 6H | 2 |
| 01674 | IP67 2P+E 110V 125A 4H | 2 |
| 02674 | IP67 2P+E 220V 125A 6H | 2 |
| 03675 | IP67 3P+E 380V 125A 6H | 1 |
| 05675 | IP67 3P+E 500V 125A 7H | 2 |
| 02675 | IP67 3P+E 220V 125A 9H | 2 |
| 03676 | IP67 3P+N+E 380V 125A 6H | 2 |

PACKING UNITS

Industrial plugs and sockets

IP67 Wander plugs



| Ref. | Description | MOQ |
|-------|--------------------------|-----|
| 07601 | IP67 2P+E 300HZ 16A 2H | 6 |
| 01601 | IP67 2P+E 110V 16A 4H | 6 |
| 02601 | IP67 2P+E 220V 16A 6H | 6 |
| 05601 | IP67 2P+E 400V 16A 7H | 6 |
| 03601 | IP67 2P+E 380V 16A 9H | 6 |
| 07602 | IP67 3P+E 300HZ 16A 2H | 6 |
| 01602 | IP67 3P+E 100V 16A 4H | 6 |
| 03602 | IP67 3P+E 380V 16A 6H | 6 |
| 05602 | IP67 3P+E 500V 16A 7H | 6 |
| 02602 | IP67 3P+E 220V 16A 9H | 6 |
| 07682 | IP67 3P+E 100HZ 16A 10H | 6 |
| 07603 | IP67 3P+N+E 300HZ 16A 2H | 6 |
| 01603 | IP67 3P+N+E 57V 16A 4H | 6 |
| 03603 | IP67 3P+N+E 380V 16A 6H | 6 |
| 05603 | IP67 3P+N+E 277V 16A 7H | 6 |
| 02603 | IP67 3P+N+E 16A 9H | 6 |
| 07604 | IP67 2P+E 300HZ 32A 2H | 5 |
| 01604 | IP67 2P+E 110V 32A 4H | 5 |
| 02604 | IP67 2P+E 220V 32A 6H | 5 |
| 05604 | IP67 2P+E 220V 32A 7H | 5 |
| 03604 | IP67 2P+E 380V 32A 9H | 5 |
| 07605 | IP67 3P+E 300HZ 32A 2H | 5 |
| 07615 | IP67 3P+E 440V 32A 3H | 5 |
| 01605 | IP67 3P+E 100V 32A 4H | 5 |
| 03605 | IP67 3P+E 380V 32A 6H | 5 |
| 05605 | IP67 3P+E 500V 32A 7H | 5 |
| 02605 | IP67 3P+E 220V 32A 9H | 5 |
| 07685 | IP67 3P+N+E 300HZ 32A 2H | 5 |
| 07606 | IP67 3P+N+E 57V 32A 4H | 5 |
| 01606 | IP67 3P+N+E 380V 32A | 5 |
| 03606 | IP67 3P+N+E 380V 32A 6H | 5 |
| 05606 | IP67 3P+N+E 32A 9H | 5 |
| 02606 | IP67 3P+N+E 32A 9H | 5 |
| 01651 | IP67 2P+E 110V 63A 4H | 2 |
| 02651 | IP67 2P+E 220V 63A 6H | 2 |
| 03652 | IP67 3P+E 380V 63A 6H | 2 |
| 05652 | IP67 3P+E 500V 63A 7H | 2 |
| 02652 | IP67 3P+E 220V 63A 9H | 2 |
| 03653 | IP67 3P+N+E 380V 63A 6H | 2 |
| 01654 | IP67 2P+E 110V 125A 4H | 2 |
| 02654 | IP67 2P+E 220V 125A 6H | 2 |
| 03655 | IP67 3P+E 380V 125A 6H | 2 |
| 05655 | IP67 3P+E 500V 125A 7H | 2 |
| 02655 | IP67 3P+E 220V 125A 9H | 1 |
| 03656 | IP67 3P+N+E 380V 125A 6H | 2 |

PACKING UNITS

Industrial plugs and sockets

IP44-IP67 LOW VOLTAGE INTERLOCKING SOCKETS

IP44 Flush-fit interlocking sockets



| Ref. | Description | MOQ |
|-------|-------------------------|-----|
| 01351 | IP44 2P+E 110V 16A 4H | 1 |
| 02351 | IP44 2P+E 220V 16A 6H | 1 |
| 03352 | IP44 3P+E 380V 16A 6H | 1 |
| 03353 | IP44 3P+N+E 380V 16A 6H | 1 |
| 01354 | IP44 2P+E 110V 32A 4H | 1 |
| 02354 | IP44 2P+E 220V 32A 6H | 1 |
| 03355 | IP44 3P+E 380V 32A 6H | 1 |
| 03356 | IP44 3P+N+E 380V 32A 6H | 1 |

IP67 Wall interlocking sockets



| Ref. | Description | MOQ |
|-------|-------------------------|-----|
| 01831 | IP67 2P+E 110V 16A 4H | 1 |
| 02831 | IP67 2P+E 220V 16A 6H | 1 |
| 03832 | IP67 3P+E 380V 16A 6H | 1 |
| 03833 | IP67 3P+N+E 380V 16A 6H | 1 |
| 01834 | IP67 2P+E 110V 32A 4H | 1 |
| 02834 | IP67 2P+E 220V 32A 6H | 1 |
| 03835 | IP67 3P+E 380V 32A 6H | 1 |
| 03836 | IP67 3P+N+E 380V 32A 6H | 1 |
| 03839 | IP67 3P+E 380V 63A 6H | 1 |
| 03840 | IP67 3P+N+E 240V 63A 6H | 1 |

IP44 Wall interlocking sockets



| Ref. | Description | MOQ |
|-------|-------------------------|-----|
| 01361 | IP44 2P+E 110V 16A 4H | 1 |
| 02361 | IP44 2P+E 220V 16A 6H | 1 |
| 03362 | IP44 3P+E 380V 16A 6H | 1 |
| 03363 | IP44 3P+N+E 380V 16A 6H | 1 |
| 01364 | IP44 2P+E 110V 32A 4H | 1 |
| 02364 | IP44 2P+E 220V 32A 6H | 1 |
| 03365 | IP44 3P+E 380V 32A 6H | 1 |
| 03366 | IP44 3P+N+E 380V 32A 6H | 1 |

IP67 Wall sockets with DIN rail



| Ref. | Description | MOQ |
|-------|-------------------------|-----|
| 01841 | IP67 2P+E 110V 16A 4H | 1 |
| 02841 | IP67 2P+E 220V 16A 6H | 1 |
| 03842 | IP67 3P+E 380V 16A 6H | 1 |
| 03843 | IP67 3P+N+E 382V 16A 6H | 1 |
| 01844 | IP67 2P+E 110V 32A 4H | 1 |
| 02844 | IP67 2P+E 220V 32A 6H | 1 |
| 03845 | IP67 3P+E 380V 32A 6H | 1 |
| 03846 | IP67 3P+N+E 380V 32A 6H | 1 |
| 01881 | IP67 2P+E 110V 63A 4H | 1 |
| 02881 | IP67 2P+E 220V 63A 6H | 1 |
| 03882 | IP67 3P+E 380V 63A 6H | 1 |
| 03883 | IP67 3P+N+E 380V 63A 6H | 1 |

IP67 Flush-fit interlocking sockets



| Ref. | Description | MOQ |
|-------|-------------------------|-----|
| 01811 | IP67 2P+E 110V 16A 4H | 1 |
| 02811 | IP67 2P+E 220V 16A 6H | 1 |
| 03812 | IP67 3P+E 380V 16A 6H | 1 |
| 03813 | IP67 3P+N+E 380V 16A 6H | 1 |
| 01814 | IP67 2P+E 110V 32A 4H | 1 |
| 02814 | IP67 2P+E 220V 32A 6H | 1 |
| 03815 | IP67 3P+E 380V 32A 6H | 1 |
| 03816 | IP67 3P+N+E 380V 32A 6H | 1 |

PACKING UNITS

Industrial plugs and sockets

IP44 EXTRA LOW VOLTAGE

IP44 Wander sockets



| Ref. | Description | MOQ |
|--------------|------------------------|-----|
| 08201 | IP44 2P 24V 16A NR | 10 |
| 09201 | IP44 2P 42V 16A 12H | 10 |
| 08449 | IP44 2P 24/42V 16A 4H | 10 |
| 08451 | IP44 2P 24/42V 16A 2H | 10 |
| 08453 | IP44 2P 24/42V 16A 3H | 10 |
| 08455 | IP44 2P 24/42V 16A 11H | 10 |
| 06201 | IP44 2P 24/42V 16A 10H | 10 |
| 08202 | IP44 3P 24V 16A NR | 10 |
| 09202 | IP44 3P 42V 16A 12H | 10 |
| 08450 | IP44 3P 24/42V 16A 4H | 10 |
| 08452 | IP44 3P 24/42V 16A 2H | 10 |
| 08454 | IP44 3P 24/42V 16A 3H | 10 |
| 08456 | IP44 3P 24/42V 16A 11H | 10 |
| 06202 | IP44 3P 24/42V 16A 10H | 10 |
| 08204 | IP44 2P 24V 32A NR | 10 |
| 09204 | IP44 2P 42V 32A 12H | 10 |
| 08457 | IP44 2P 24/42V 32A 4H | 10 |
| 08459 | IP44 2P 24/42V 32A 2H | 10 |
| 08461 | IP44 2P 24/42V 32A 3H | 10 |
| 08463 | IP44 2P 24/42V 32A 11H | 10 |
| 06204 | IP44 2P 24/42V 32A 10H | 10 |
| 08205 | IP44 3P 24V 32A NR | 10 |
| 09205 | IP44 3P 42V 32A 12H | 10 |
| 08458 | IP44 3P 24/42V 32A 4H | 10 |
| 08460 | IP44 3P 24/42V 32A 2H | 10 |
| 08462 | IP44 3P 24/42V 32A 3H | 10 |
| 08464 | IP44 3P 24/42V 32A 11H | 10 |
| 06205 | IP44 3P 24/42V 32A 10H | 10 |

IP44 Straight flush-fit sockets



| Ref. | Description | MOQ |
|--------------|------------------------|-----|
| 08311 | IP44 2P 24V 16A NR | 10 |
| 09311 | IP44 2P 42V 16A 12H | 10 |
| 08465 | IP44 2P 24/42V 16A 4H | 10 |
| 08467 | IP44 2P 24/42V 16A 2H | 10 |
| 08469 | IP44 2P 24/42V 16A 3H | 10 |
| 08471 | IP44 2P 24/42V 16A 11H | 10 |
| 06311 | IP44 2P 24/42V 16A 10H | 10 |
| 08312 | IP44 3P 24V 16A NR | 10 |
| 09312 | IP44 3P 42V 16A 12H | 10 |
| 08466 | IP44 3P 24/42V 16A 4H | 10 |
| 08468 | IP44 3P 24/42V 16A 2H | 10 |
| 08470 | IP44 3P 24/42V 16A 3H | 10 |
| 08472 | IP44 3P 24/42V 16A 11H | 10 |
| 06312 | IP44 3P 24/42V 16A 10H | 10 |
| 08314 | IP44 2P 24V 32A NR | 10 |
| 09314 | IP44 2P 42V 32A 12H | 10 |
| 08473 | IP44 2P 24/42V 32A 4H | 10 |
| 08475 | IP44 2P 24/42V 32A 2H | 10 |
| 08477 | IP44 2P 24/42V 32A 3H | 10 |
| 08479 | IP44 2P 24/42V 32A 11H | 10 |
| 06314 | IP44 2P 24/42V 32A 10H | 10 |
| 08315 | IP44 3P 24V 32A NR | 10 |
| 09315 | IP44 3P 42V 32A 12H | 10 |
| 08474 | IP44 3P 24/42V 32A 4H | 10 |
| 08476 | IP44 3P 24/42V 32A 2H | 10 |
| 08478 | IP44 3P 24/42V 32A 3H | 10 |
| 08480 | IP44 3P 24/42V 32A 11H | 10 |
| 06315 | IP44 3P 24/42V 32A 10H | 10 |

PACKING UNITS

Industrial plugs and sockets

IP44 Wall sockets



| Ref. | Description | MOQ |
|--------------|------------------------|-----|
| 08321 | IP44 2P 24V 16A NR | 10 |
| 09321 | IP44 2P 42V 16A 12H | 10 |
| 08481 | IP44 2P 24/42V 16A 4H | 10 |
| 08483 | IP44 2P 24/42V 16A 2H | 10 |
| 08485 | IP44 2P 24/42V 16A 3H | 10 |
| 08487 | IP44 2P 24/42V 16A 11H | 10 |
| 06321 | IP44 2P 24/42V 16A 10H | 10 |
| 08322 | IP44 3P 24V 16A NR | 10 |
| 09322 | IP44 3P 42V 16A 12H | 10 |
| 08482 | IP44 3P 24/42V 16A 4H | 10 |
| 08484 | IP44 3P 24/42V 16A 2H | 10 |
| 08486 | IP44 3P 24/42V 16A 3H | 10 |
| 08488 | IP44 3P 24/42V 16A 11H | 10 |
| 06322 | IP44 3P 24/42V 16A 10H | 10 |
| 08324 | IP44 2P 24V 32A NR | 6 |
| 09324 | IP44 2P 42V 32A 12H | 6 |
| 08489 | IP44 2P 24/42V 32A 4H | 6 |
| 08491 | IP44 2P 24/42V 32A 2H | 6 |
| 08493 | IP44 2P 24/42V 32A 3H | 6 |
| 08495 | IP44 2P 24/42V 32A 11H | 6 |
| 06324 | IP44 2P 24/42V 32A 10H | 6 |
| 08325 | IP44 3P 24V 32A NR | 6 |
| 09325 | IP44 3P 42V 32A 12H | 6 |
| 08490 | IP44 3P 24/42V 32A 4H | 6 |
| 08492 | IP44 3P 24/42V 32A 2H | 6 |
| 08494 | IP44 3P 24/42V 32A 3H | 6 |
| 08496 | IP44 3P 24/42V 32A 11H | 6 |
| 06325 | IP44 3P 24/42V 32A 10H | 6 |

IP44 Wander plugs



| Ref. | Description | MOQ |
|--------------|------------------------|-----|
| 08101 | IP44 2P 24V 16A NR | 10 |
| 09101 | IP44 2P 42V 16A 12H | 10 |
| 08401 | IP44 2P 24/42V 16A 4H | 10 |
| 08403 | IP44 2P 24/42V 16A 2H | 10 |
| 08405 | IP44 2P 24/42V 16A 3H | 10 |
| 08407 | IP44 2P 24/42V 16A 11H | 10 |
| 06101 | IP44 2P 24/42V 16A 10H | 10 |
| 08102 | IP44 3P 24V 16A NR | 10 |
| 09102 | IP44 3P 42V 16A 12H | 10 |
| 08402 | IP44 3P 24/42V 16A 4H | 10 |
| 08404 | IP44 3P 24/42V 16A 2H | 10 |
| 08406 | IP44 3P 24/42V 16A 3H | 10 |
| 08408 | IP44 3P 24/42V 16A 11H | 10 |
| 06102 | IP44 3P 24/42V 16A 10H | 10 |
| 08104 | IP44 2P 24V 32A NR | 10 |
| 09104 | IP44 2P 42V 32A 12H | 10 |
| 08409 | IP44 2P 24/42V 32A 4H | 10 |
| 08411 | IP44 2P 24/42V 32A 2H | 10 |
| 08413 | IP44 2P 24/42V 32A 3H | 10 |
| 08415 | IP44 2P 24/42V 32A 11H | 10 |
| 06104 | IP44 2P 24/42V 32A 10H | 10 |
| 08105 | IP44 3P 24V 32A NR | 10 |
| 09105 | IP44 3P 42V 32A 12H | 10 |
| 08410 | IP44 3P 24/42V 32A 4H | 10 |
| 08412 | IP44 3P 24/42V 32A 2H | 10 |
| 08414 | IP44 3P 24/42V 32A 3H | 10 |
| 08416 | IP44 3P 24/42V 32A 11H | 10 |
| 06105 | IP44 3P 24/42V 32A 10H | 10 |

PACKING UNITS

Industrial plugs and sockets

IP44 Straight flush-fit plugs



| Ref. | Description | MOQ |
|-------|------------------------|-----|
| 08111 | IP44 2P 24V 16A NR | 10 |
| 09111 | IP44 2P 42V 16A 12H | 10 |
| 08417 | IP44 2P 24/42V 16A 4H | 10 |
| 08419 | IP44 2P 24/42V 16A 2H | 10 |
| 08421 | IP44 2P 24/42V 16A 3H | 10 |
| 08423 | IP44 2P 24/42V 16A 11H | 10 |
| 06111 | IP44 2P 24/42V 16A 10H | 10 |
| 08112 | IP44 3P 24V 16A NR | 10 |
| 09112 | IP44 3P 42V 16A 12H | 10 |
| 08418 | IP44 3P 24/42V 16A 4H | 10 |
| 08420 | IP44 3P 24/42V 16A 2H | 10 |
| 08422 | IP44 3P 24/42V 16A 3H | 10 |
| 08424 | IP44 3P 24/42V 16A 11H | 10 |
| 06112 | IP44 3P 24/42V 16A 10H | 10 |
| 08114 | IP44 2P 24V 32A NR | 10 |
| 09114 | IP44 2P 42V 32A 12H | 10 |
| 08425 | IP44 2P 24/42V 32A 4H | 10 |
| 08427 | IP44 2P 24/42V 32A 2H | 10 |
| 08429 | IP44 2P 24/42V 32A 3H | 10 |
| 08431 | IP44 2P 24/42V 32A 11H | 10 |
| 06114 | IP44 2P 24/42V 32A 10H | 10 |
| 08115 | IP44 3P 24V 32A NR | 10 |
| 09115 | IP44 3P 42V 32A 12H | 10 |
| 08426 | IP44 3P 24/42V 32A 4H | 10 |
| 08428 | IP44 3P 24/42V 32A 2H | 10 |
| 08430 | IP44 3P 24/42V 32A 3H | 10 |
| 08432 | IP44 3P 24/42V 32A 11H | 10 |
| 06115 | IP44 3P 24/42V 32A 10H | 10 |

IP44 Wall plugs



| Ref. | Description | MOQ |
|-------|------------------------|-----|
| 08121 | IP44 2P 24V 16A NR | 10 |
| 09121 | IP44 2P 42V 16A 12H | 10 |
| 08433 | IP44 2P 24/42V 16A 4H | 10 |
| 08435 | IP44 2P 24/42V 16A 2H | 10 |
| 08437 | IP44 2P 24/42V 16A 3H | 10 |
| 08439 | IP44 2P 24/42V 16A 11H | 10 |
| 06121 | IP44 2P 24/42V 16A 10H | 10 |
| 08122 | IP44 3P 24V 16A NR | 10 |
| 09122 | IP44 3P 42V 16A 12H | 10 |
| 08434 | IP44 3P 24/42V 16A 4H | 10 |
| 08436 | IP44 3P 24/42V 16A 2H | 10 |
| 08438 | IP44 3P 24/42V 16A 3H | 10 |
| 08440 | IP44 3P 24/42V 16A 11H | 10 |
| 06122 | IP44 3P 24/42V 16A 10H | 10 |
| 08124 | IP44 2P 24V 32A NR | 6 |
| 09124 | IP44 2P 42V 32A 12H | 6 |
| 08441 | IP44 2P 24/42V 32A 4H | 6 |
| 08443 | IP44 2P 24/42V 32A 2H | 6 |
| 08445 | IP44 2P 24/42V 32A 3H | 6 |
| 08447 | IP44 2P 24/42V 32A 11H | 6 |
| 06124 | IP44 2P 24/42V 32A 10H | 6 |
| 08125 | IP44 3P 24V 32A NR | 6 |
| 09125 | IP44 3P 42V 32A 12H | 6 |
| 08442 | IP44 3P 24/42V 32 A 4H | 6 |
| 08444 | IP44 3P 24/42V 32A 2H | 6 |
| 08446 | IP44 3P 24/42V 32A 3H | 6 |
| 08448 | IP44 3P 24/42V 32A 11H | 6 |
| 06125 | IP44 3P 24/42V 32A 10H | 6 |

QUICK SEARCH

| Reference No. | Page | Reference No. | Page | Reference No. | Page |
|---------------|------|---------------|------|---------------|------|
| 00101 | 384 | 01311 | 392 | 01854 | 394 |
| 00102 | 384 | 01312 | 392 | 01871 | 394 |
| 00103 | 384 | 01313 | 392 | 01874 | 394 |
| 00104 | 384 | 01314 | 392 | 01881 | 403 |
| 00105 | 384 | 01315 | 392 | 02101 | 393 |
| 00114 | 384 | 01316 | 392 | 02102 | 393 |
| 00115 | 385 | 01321 | 392 | 02103 | 393 |
| 00118 | 384 | 01322 | 392 | 02104 | 393 |
| 00121 | 385 | 01323 | 392 | 02105 | 393 |
| 00123 | 385 | 01324 | 392 | 02106 | 393 |
| 00125 | 385 | 01325 | 392 | 02111 | 393 |
| 00125/F | 385 | 01326 | 392 | 02112 | 393 |
| 00130 | 385 | 01351 | 403 | 02113 | 393 |
| 00135 | 385 | 01354 | 403 | 02114 | 393 |
| 00140 | 385 | 01361 | 403 | 02115 | 393 |
| 00145 | 385 | 01364 | 403 | 02116 | 393 |
| 00146 | 385 | 01601 | 395 | 02121 | 393 |
| 00164 | 384 | 01602 | 395 | 02122 | 393 |
| 00211 | 385 | 01603 | 395 | 02123 | 393 |
| 00214 | 385 | 01604 | 395 | 02124 | 393 |
| 00312 | 385 | 01605 | 395 | 02125 | 393 |
| 00313 | 385 | 01606 | 395 | 02126 | 393 |
| 00315 | 385 | 01611 | 395 | 02201 | 392 |
| 00316 | 385 | 01614 | 395 | 02202 | 392 |
| 00402 | 384 | 01621 | 395 | 02203 | 392 |
| 00414 | 384 | 01624 | 395 | 02204 | 392 |
| 00452 | 384 | 01651 | 395 | 02205 | 392 |
| 00456 | 384 | 01654 | 395 | 02206 | 392 |
| 00464 | 384 | 01661 | 395 | 02301 | 392 |
| 01101 | 393 | 01664 | 395 | 02302 | 392 |
| 01102 | 393 | 01671 | 395 | 02303 | 392 |
| 01103 | 393 | 01674 | 395 | 02304 | 392 |
| 01104 | 393 | 01701 | 394 | 02305 | 392 |
| 01105 | 393 | 01702 | 394 | 02306 | 392 |
| 01106 | 393 | 01703 | 394 | 02311 | 392 |
| 01111 | 393 | 01704 | 394 | 02312 | 392 |
| 01112 | 393 | 01705 | 394 | 02313 | 392 |
| 01113 | 393 | 01706 | 394 | 02314 | 392 |
| 01114 | 393 | 01751 | 394 | 02315 | 392 |
| 01115 | 393 | 01754 | 394 | 02316 | 392 |
| 01116 | 393 | 01801 | 394 | 02321 | 392 |
| 01121 | 393 | 01802 | 394 | 02322 | 392 |
| 01122 | 393 | 01803 | 394 | 02323 | 392 |
| 01123 | 393 | 01804 | 394 | 02324 | 392 |
| 01124 | 393 | 01805 | 394 | 02325 | 392 |
| 01125 | 393 | 01806 | 394 | 02326 | 392 |
| 01126 | 393 | 01811 | 403 | 02351 | 403 |
| 01201 | 392 | 01814 | 403 | 02354 | 403 |
| 01202 | 392 | 01821 | 394 | 02361 | 403 |
| 01203 | 392 | 01822 | 394 | 02364 | 403 |
| 01204 | 392 | 01823 | 394 | 02601 | 395 |
| 01205 | 392 | 01824 | 394 | 02602 | 395 |
| 01206 | 392 | 01825 | 394 | 02603 | 395 |
| 01301 | 392 | 01826 | 394 | 02604 | 395 |
| 01302 | 392 | 01831 | 403 | 02605 | 395 |
| 01303 | 392 | 01834 | 403 | 02606 | 395 |
| 01304 | 392 | 01841 | 403 | 02611 | 395 |
| 01305 | 392 | 01844 | 403 | 02612 | 395 |
| 01306 | 392 | 01851 | 394 | 02614 | 395 |

QUICK SEARCH

| Reference No. | Page | Reference No. | Page | Reference No. | Page |
|---------------|------|---------------|------|---------------|------|
| 02615 | 395 | 02881 | 403 | 03615 | 395 |
| 02621 | 395 | 03101 | 393 | 03616 | 395 |
| 02622 | 395 | 03102 | 393 | 03622 | 395 |
| 02624 | 395 | 03103 | 393 | 03623 | 395 |
| 02625 | 395 | 03104 | 393 | 03625 | 395 |
| 02651 | 395 | 03105 | 393 | 03626 | 395 |
| 02652 | 395 | 03106 | 393 | 03652 | 395 |
| 02654 | 395 | 03111 | 393 | 03653 | 395 |
| 02655 | 395 | 03112 | 393 | 03655 | 395 |
| 02661 | 395 | 03113 | 393 | 03656 | 395 |
| 02662 | 395 | 03114 | 393 | 03662 | 395 |
| 02664 | 395 | 03115 | 393 | 03663 | 395 |
| 02665 | 395 | 03116 | 393 | 03665 | 395 |
| 02671 | 395 | 03121 | 393 | 03666 | 395 |
| 02672 | 395 | 03122 | 393 | 03672 | 395 |
| 02674 | 395 | 03123 | 393 | 03673 | 395 |
| 02675 | 395 | 03124 | 393 | 03675 | 395 |
| 02701 | 394 | 03125 | 393 | 03676 | 395 |
| 02702 | 394 | 03126 | 393 | 03701 | 394 |
| 02703 | 394 | 03201 | 392 | 03702 | 394 |
| 02704 | 394 | 03202 | 392 | 03703 | 394 |
| 02705 | 394 | 03203 | 392 | 03704 | 394 |
| 02706 | 394 | 03204 | 392 | 03705 | 394 |
| 02751 | 394 | 03205 | 392 | 03706 | 394 |
| 02751P | 394 | 03206 | 392 | 03752 | 394 |
| 02752 | 394 | 03301 | 392 | 03752P | 394 |
| 02754 | 394 | 03302 | 392 | 03753 | 394 |
| 02754P | 394 | 03303 | 392 | 03753P | 394 |
| 02755 | 394 | 03304 | 392 | 03755 | 394 |
| 02801 | 394 | 03305 | 392 | 03755P | 394 |
| 02802 | 394 | 03306 | 392 | 03756 | 394 |
| 02803 | 394 | 03311 | 392 | 03756P | 394 |
| 02804 | 394 | 03312 | 392 | 03801 | 394 |
| 02805 | 394 | 03313 | 392 | 03802 | 394 |
| 02806 | 394 | 03314 | 392 | 03803 | 394 |
| 02811 | 403 | 03315 | 392 | 03804 | 394 |
| 02814 | 403 | 03316 | 392 | 03805 | 394 |
| 02821 | 394 | 03321 | 392 | 03806 | 394 |
| 02822 | 394 | 03322 | 392 | 03812 | 403 |
| 02823 | 394 | 03323 | 392 | 03813 | 403 |
| 02824 | 394 | 03324 | 392 | 03815 | 403 |
| 02825 | 394 | 03325 | 392 | 03816 | 403 |
| 02826 | 394 | 03326 | 392 | 03821 | 394 |
| 02831 | 403 | 03352 | 403 | 03822 | 394 |
| 02834 | 403 | 03353 | 403 | 03823 | 394 |
| 02841 | 403 | 03355 | 403 | 03824 | 394 |
| 02844 | 403 | 03356 | 403 | 03825 | 394 |
| 02851 | 394 | 03362 | 403 | 03826 | 394 |
| 02851P | 394 | 03363 | 403 | 03832 | 403 |
| 02852 | 394 | 03365 | 403 | 03833 | 403 |
| 02854 | 394 | 03366 | 403 | 03835 | 403 |
| 02854P | 394 | 03601 | 395 | 03836 | 403 |
| 02855 | 394 | 03602 | 395 | 03839 | 403 |
| 02871 | 394 | 03603 | 395 | 03840 | 403 |
| 02871P | 394 | 03604 | 395 | 03842 | 403 |
| 02872 | 394 | 03605 | 395 | 03843 | 403 |
| 02874 | 394 | 03606 | 395 | 03845 | 403 |
| 02874P | 394 | 03612 | 395 | 03846 | 403 |
| 02875 | 394 | 03613 | 395 | 03852 | 394 |

QUICK SEARCH

| Reference No. | Page | Reference No. | Page | Reference No. | Page |
|---------------|------|---------------|------|---------------|------|
| 03852P | 394 | 05612 | 395 | 07102 | 393 |
| 03853 | 394 | 05615 | 395 | 07103 | 393 |
| 03853P | 394 | 05622 | 395 | 07104 | 393 |
| 03855 | 394 | 05625 | 395 | 07105 | 393 |
| 03855P | 394 | 05652 | 395 | 07106 | 393 |
| 03856 | 394 | 05655 | 395 | 07182 | 393 |
| 03856P | 394 | 05662 | 395 | 07185 | 393 |
| 03872 | 394 | 05665 | 395 | 07201 | 392 |
| 03872P | 394 | 05672 | 395 | 07202 | 392 |
| 03873 | 394 | 05675 | 395 | 07203 | 392 |
| 03873P | 394 | 05701 | 394 | 07204 | 392 |
| 03875 | 394 | 05702 | 394 | 07205 | 392 |
| 03875P | 394 | 05703 | 394 | 07206 | 392 |
| 03876 | 394 | 05704 | 394 | 07282 | 392 |
| 03876P | 394 | 05705 | 394 | 07285 | 392 |
| 03882 | 403 | 05706 | 394 | 07301 | 392 |
| 03883 | 403 | 05752 | 394 | 07302 | 392 |
| 05101 | 393 | 05755 | 394 | 07303 | 392 |
| 05102 | 393 | 05801 | 394 | 07304 | 392 |
| 05103 | 393 | 05802 | 394 | 07305 | 392 |
| 05104 | 393 | 05803 | 394 | 07306 | 392 |
| 05105 | 393 | 05804 | 394 | 07321 | 392 |
| 05106 | 393 | 05805 | 394 | 07322 | 392 |
| 05112 | 393 | 05806 | 394 | 07323 | 392 |
| 05113 | 393 | 05821 | 394 | 07324 | 392 |
| 05115 | 393 | 05822 | 394 | 07325 | 392 |
| 05116 | 393 | 05823 | 394 | 07326 | 392 |
| 05122 | 393 | 05824 | 394 | 07352 | 392 |
| 05123 | 393 | 05825 | 394 | 07382 | 392 |
| 05125 | 393 | 05826 | 394 | 07385 | 392 |
| 05126 | 393 | 05852 | 394 | 07395 | 392 |
| 05201 | 392 | 05855 | 394 | 07601 | 395 |
| 05202 | 392 | 05872 | 394 | 07602 | 395 |
| 05203 | 392 | 05875 | 394 | 07603 | 395 |
| 05204 | 392 | 06101 | 407 | 07604 | 395 |
| 05205 | 392 | 06102 | 407 | 07605 | 395 |
| 05206 | 392 | 06104 | 407 | 07606 | 395 |
| 05301 | 392 | 06105 | 407 | 07615 | 395 |
| 05302 | 392 | 06111 | 407 | 07682 | 395 |
| 05303 | 392 | 06112 | 407 | 07685 | 395 |
| 05304 | 392 | 06114 | 407 | 07701 | 394 |
| 05305 | 392 | 06115 | 407 | 07702 | 394 |
| 05306 | 392 | 06121 | 407 | 07703 | 394 |
| 05312 | 392 | 06122 | 407 | 07704 | 394 |
| 05313 | 392 | 06124 | 407 | 07705 | 394 |
| 05315 | 392 | 06125 | 407 | 07706 | 394 |
| 05316 | 392 | 06201 | 407 | 07715 | 394 |
| 05321 | 392 | 06202 | 407 | 07782 | 394 |
| 05322 | 392 | 06204 | 407 | 07785 | 394 |
| 05323 | 392 | 06205 | 407 | 07801 | 394 |
| 05324 | 392 | 06311 | 407 | 07802 | 394 |
| 05325 | 392 | 06312 | 407 | 07803 | 394 |
| 05326 | 392 | 06314 | 407 | 07804 | 394 |
| 05601 | 395 | 06315 | 407 | 07805 | 394 |
| 05602 | 395 | 06321 | 407 | 07806 | 394 |
| 05603 | 395 | 06322 | 407 | 07815 | 394 |
| 05604 | 395 | 06324 | 407 | 07821 | 394 |
| 05605 | 395 | 06325 | 407 | 07822 | 394 |
| 05606 | 395 | 07101 | 393 | 07823 | 394 |

QUICK SEARCH

| Reference No. | Page | Reference No. | Page | Reference No. | Page |
|---------------|------|---------------|------|---------------|-------------|
| 07824 | 394 | 08428 | 407 | 08487 | 407 |
| 07825 | 394 | 08429 | 407 | 08488 | 407 |
| 07826 | 394 | 08430 | 407 | 08489 | 407 |
| 07835 | 394 | 08431 | 407 | 08490 | 407 |
| 07882 | 394 | 08432 | 407 | 08491 | 407 |
| 07885 | 394 | 08433 | 407 | 08492 | 407 |
| 07892 | 394 | 08434 | 407 | 08493 | 407 |
| 07895 | 394 | 08435 | 407 | 08494 | 407 |
| 08101 | 407 | 08436 | 407 | 08495 | 407 |
| 08102 | 407 | 08437 | 407 | 08496 | 407 |
| 08104 | 407 | 08438 | 407 | 08501 | 393 |
| 08105 | 407 | 08439 | 407 | 08502 | 393 |
| 08111 | 407 | 08440 | 407 | 08503 | 393 |
| 08112 | 407 | 08441 | 407 | 08504 | 393 |
| 08114 | 407 | 08442 | 407 | 08505 | 393 |
| 08115 | 407 | 08443 | 407 | 08506 | 393 |
| 08121 | 407 | 08444 | 407 | 08507 | 393 |
| 08122 | 407 | 08445 | 407 | 08508 | 393 |
| 08124 | 407 | 08446 | 407 | 08509 | 393 |
| 08125 | 407 | 08447 | 407 | 08510 | 393 |
| 08201 | 407 | 08448 | 407 | 08511 | 393 |
| 08202 | 407 | 08449 | 407 | 08512 | 393 |
| 08204 | 407 | 08450 | 407 | 09101 | 407 |
| 08205 | 407 | 08451 | 407 | 09102 | 407 |
| 08311 | 407 | 08452 | 407 | 09104 | 407 |
| 08312 | 407 | 08453 | 407 | 09105 | 407 |
| 08314 | 407 | 08454 | 407 | 09111 | 407 |
| 08315 | 407 | 08455 | 407 | 09112 | 407 |
| 08321 | 407 | 08456 | 407 | 09114 | 407 |
| 08322 | 407 | 08457 | 407 | 09115 | 407 |
| 08324 | 407 | 08458 | 407 | 09121 | 407 |
| 08325 | 407 | 08459 | 407 | 09122 | 407 |
| 08401 | 407 | 08460 | 407 | 09124 | 407 |
| 08402 | 407 | 08461 | 407 | 09125 | 407 |
| 08403 | 407 | 08462 | 407 | 09201 | 407 |
| 08404 | 407 | 08463 | 407 | 09202 | 407 |
| 08405 | 407 | 08464 | 407 | 09204 | 407 |
| 08406 | 407 | 08465 | 407 | 09205 | 407 |
| 08407 | 407 | 08466 | 407 | 09311 | 407 |
| 08408 | 407 | 08467 | 407 | 09312 | 407 |
| 08409 | 407 | 08468 | 407 | 09314 | 407 |
| 08410 | 407 | 08469 | 407 | 09315 | 407 |
| 08411 | 407 | 08470 | 407 | 09321 | 407 |
| 08412 | 407 | 08471 | 407 | 09322 | 407 |
| 08413 | 407 | 08472 | 407 | 09324 | 407 |
| 08414 | 407 | 08473 | 407 | 09325 | 407 |
| 08415 | 407 | 08474 | 407 | 22000 | 271 |
| 08416 | 407 | 08475 | 407 | 22001 | 259-271 |
| 08417 | 407 | 08476 | 407 | 22002 | 259-271 |
| 08418 | 407 | 08477 | 407 | 22003 | 259-271 |
| 08419 | 407 | 08478 | 407 | 22004 | 259-271 |
| 08420 | 407 | 08479 | 407 | 22005 | 271 |
| 08421 | 407 | 08480 | 407 | 22007 | 259 |
| 08422 | 407 | 08481 | 407 | 22008 | 245 |
| 08423 | 407 | 08482 | 407 | 22009 | 245 |
| 08424 | 407 | 08483 | 407 | 22010 | 259-271 |
| 08425 | 407 | 08484 | 407 | 22012 | 259-271 |
| 08426 | 407 | 08485 | 407 | 22015 | 305 |
| 08427 | 407 | 08486 | 407 | 22019 | 259-271-305 |

QUICK SEARCH

| Reference No. | Page |
|---------------|-------------|
| 22020 | 311 |
| 22021 | 311 |
| 22022 | 311 |
| 22023 | 311 |
| 22024 | 311 |
| 22025 | 311 |
| 22031 | 305 |
| 22032 | 305 |
| 22033 | 305 |
| 22034 | 305 |
| 22041 | 305 |
| 22042 | 305 |
| 22043 | 305 |
| 22044 | 305 |
| 22050 | 281 |
| 22060 | 281 |
| 22073 | 305 |
| 22100 | 305-354-364 |
| 22101 | 364 |
| 22103 | 354 |
| 22150 | 305 |
| 29221 | 95 |
| 29222 | 95 |
| 29223 | 95 |
| 29224 | 95 |
| 29225 | 95 |
| 29229 | 95 |
| 29230 | 95 |
| 29231 | 95 |
| 29233 | 95 |
| 29235 | 96 |
| 29236 | 96 |
| 29240 | 97 |
| 29241 | 97 |
| 29242 | 97 |
| 29243 | 97 |
| 29244 | 97 |
| 29247 | 97 |
| 29266 | 48-95 |
| 29503 | 104 |
| 29504 | 104 |
| 29513 | 104 |
| 29514 | 104 |
| 29521 | 105 |
| 29524 | 105 |
| 29530 | 105 |
| 29531 | 105-234 |
| 29532 | 105-234 |
| 29540 | 105 |
| 29541 | 105 |
| 29542 | 105 |
| 29545 | 105 |
| 29546 | 105 |
| 29550 | 105 |
| 29551 | 105 |
| 29552 | 105 |
| 29553 | 105 |
| 29554 | 105 |
| 29555 | 105 |

| Reference No. | Page |
|---------------|---------|
| 45001 | 371 |
| 45002 | 371 |
| 45003 | 371 |
| 45004 | 371 |
| 45011 | 371 |
| 45012 | 371 |
| 45013 | 371 |
| 45014 | 371 |
| 45016 | 371 |
| 45018 | 371 |
| 45080 | 375 |
| 45081 | 375 |
| 45082 | 375 |
| 45083 | 375 |
| 45101 | 372 |
| 45102 | 372 |
| 45104 | 372 |
| 45105 | 372 |
| 45110 | 372 |
| 45111 | 372 |
| 45112 | 372 |
| 45115 | 372 |
| 45121 | 372 |
| 45122 | 372 |
| 45125 | 372 |
| 45140 | 372 |
| 45155 | 372 |
| 45165 | 372 |
| 45175 | 373 |
| 45180 | 372 |
| 45181 | 372 |
| 45200 | 373 |
| 45201 | 373 |
| 45202 | 373 |
| 45231 | 373 |
| 45233 | 373 |
| 45240 | 373 |
| 45250 | 373 |
| 45301 | 373 |
| 45302 | 373 |
| 45303 | 373 |
| 45310 | 373 |
| 45400 | 372 |
| 45401 | 372 |
| 45402 | 372 |
| 45425 | 373 |
| 45915 | 361 |
| 45916 | 361 |
| 45920 | 361 |
| 45921 | 361 |
| 45922 | 361 |
| 45925 | 367 |
| 45926 | 367 |
| 45928 | 361 |
| 46250 | 175 |
| 46251 | 174 |
| 48007 | 328 |
| 48013 | 319-326 |
| 48014 | 319-327 |

| Reference No. | Page |
|---------------|-------------|
| 48019 | 165-223 |
| 48021 | 223 |
| 48107 | 331 |
| 48108 | 331 |
| 48111 | 141 |
| 48112 | 141 |
| 48113 | 141 |
| 48114 | 141 |
| 48115 | 141-223 |
| 48116 | 141 |
| 48152 | 164 |
| 48154 | 147 |
| 48156 | 147 |
| 48158 | 147 |
| 48205 | 245-259 |
| 48228 | 34-79 |
| 48242 | 339 |
| 48243 | 224-329-345 |
| 48244 | 345 |
| 48245 | 345 |
| 48250 | 232 |
| 48251 | 232 |
| 48252 | 232 |
| 48253 | 232 |
| 48256 | 232 |
| 48257 | 232 |
| 48258 | 232 |
| 48259 | 232 |
| 48262 | 232 |
| 48263 | 232 |
| 48264 | 232 |
| 48265 | 232 |
| 48266 | 343 |
| 48267 | 343 |
| 48268 | 232 |
| 48269 | 232 |
| 48270 | 232 |
| 48271 | 232 |
| 48274 | 232 |
| 48275 | 232 |
| 48283 | 231 |
| 48286 | 232 |
| 48287 | 232 |
| 48288 | 232 |
| 48289 | 232 |
| 48290 | 265-223 |
| 48292 | 265-223 |
| 48294 | 265-223 |
| 48300 | 265-223 |
| 48307 | 265-223 |
| 48338 | 234 |
| 48339 | 234 |
| 48340 | 329-345 |
| 48343 | 223 |
| 48370 | 343 |
| 48371 | 343 |
| 48372 | 343 |
| 48380 | 45-224 |
| 48383 | 45-224 |

QUICK SEARCH

| Reference No. | Page | Reference No. | Page | Reference No. | Page |
|---------------|----------------|---------------|-------------|---------------|---------|
| 48385 | 44 | 48461 | 347 | 48565 | 163-347 |
| 48386 | 44 | 48462 | 45-165-224 | 48568 | 116 |
| 48387 | 44 | 48463 | 162-347 | 48569 | 116 |
| 48388 | 44 | 48464 | 162-347 | 48574 | 116 |
| 48390 | 46 | 48465 | 162-347 | 48575 | 116 |
| 48391 | 46 | 48466 | 163-224 | 48576 | 116 |
| 48400 | 46-83 | 48468 | 235 | 48577 | 116 |
| 48401 | 46-83 | 48470 | 235 | 48580 | 47 |
| 48404 | 48 | 48471 | 138-141 | 48581 | 163 |
| 48405 | 46-83 | 48472 | 138-141 | 48582 | 163 |
| 48406 | 46-83 | 48473 | 141 | 48583 | 163 |
| 48409 | 47 | 48474 | 141 | 48584 | 163 |
| 48410 | 47 | 48475 | 49-174 | 48585 | 162-347 |
| 48411 | 47 | 48476 | 235 | 48587 | 47 |
| 48412 | 47 | 48478 | 142 | 48588 | 162-347 |
| 48413 | 47 | 48479 | 142 | 48589 | 47 |
| 48414 | 46 | 48480 | 142 | 48590 | 47 |
| 48415 | 48 | 48481 | 142 | 48591 | 47 |
| 48416 | 235 | 48482 | 163-347 | 48592 | 47 |
| 48417 | 235 | 48483 | 163 | 48593 | 48 |
| 48418 | 235 | 48484 | 163-347 | 48594 | 48 |
| 48419 | 141 | 48485 | 163-347 | 48595 | 116 |
| 48420/3040 | 49-95 | 48493 | 47 | 48622 | 149 |
| 48420/5060 | 49-95 | 48495 | 47 | 48623 | 49-63 |
| 48421 | 231 | 48496 | 47 | 48625 | 63 |
| 48422 | 49 | 48497 | 37 | 48626 | 163 |
| 48423 | 49-63 | 48498 | 37 | 48627 | 138-141 |
| 48424 | 235 | 48499 | 37 | 48628 | 163 |
| 48425 | 235 | 48500 | 140 | 48629 | 163 |
| 48427 | 331 | 48501 | 48 | 48630 | 230 |
| 48428 | 235 | 48511 | 235 | 48635 | 45 |
| 48429 | 235 | 48512 | 235 | 48636 | 142 |
| 48431 | 235 | 48515 | 162 | 48642 | 149 |
| 48432 | 235 | 48516 | 162 | 48644 | 231 |
| 48433 | 235 | 48517 | 162 | 48645 | 231 |
| 48434 | 235 | 48518 | 162 | 48646 | 231 |
| 48435 | 235 | 48519 | 162 | 48647 | 231 |
| 48436 | 235 | 48522 | 162-347 | 48651 | 231 |
| 48437 | 225 | 48523 | 162-347 | 48652 | 231 |
| 48438 | 235 | 48526 | 136 | 48660 | 327 |
| 48439 | 235 | 48527 | 136 | 48661 | 327 |
| 48440 | 225 | 48528 | 136 | 48662 | 327 |
| 48444 | 329 | 48531 | 233 | 48663 | 327 |
| 48445 | 331 | 48539 | 235 | 48664 | 327 |
| 48446 | 331 | 48540 | 48 | 48669 | 233 |
| 48447 | 331 | 48541 | 162-347 | 48670 | 233 |
| 48448 | 331 | 48542 | 331 | 48671 | 233 |
| 48449 | 48-175-331 | 48545 | 35 | 48672 | 233 |
| 48450 | 46 | 48546 | 48 | 48673 | 233 |
| 48451 | 48 | 48547 | 48 | 48674 | 233 |
| 48452 | 225 | 48550 | 48-331 | 48675 | 233 |
| 48453 | 226 | 48551 | 48 | 48676 | 233 |
| 48454 | 227 | 48552 | 48 | 48677 | 233 |
| 48455 | 48 | 48559 | 162 | 48678 | 233 |
| 48456 | 47 | 48560 | 116-163-347 | 48679 | 233 |
| 48457 | 47 | 48561 | 116-163-347 | 48680 | 228 |
| 48458 | 331 | 48562 | 163 | 48681 | 229 |
| 48459 | 331 | 48563 | 163 | 48685 | 228 |
| 48460 | 48-162-331-347 | 48564 | 163 | 48686 | 227 |

QUICK SEARCH

| Reference No. | Page |
|---------------|-----------------|
| 48687 | 227 |
| 48688 | 229 |
| 48690 | 110-122 |
| 48700 | 327 |
| 48701 | 327 |
| 48702 | 327 |
| 48703 | 327 |
| 48704 | 327 |
| 48705 | 343 |
| 48720 | 225 |
| 48721 | 225 |
| 48722 | 225 |
| 48723 | 225 |
| 48724 | 225 |
| 48725 | 225 |
| 48726 | 225 |
| 48727 | 225 |
| 48728 | 225 |
| 48729 | 225 |
| 48776 | 159 |
| 48783 | 232 |
| 48784 | 232 |
| 48785 | 232 |
| 48786 | 232 |
| 48787 | 232 |
| 48788 | 232 |
| 48791 | 230 |
| 48792 | 230 |
| 48793 | 230 |
| 48794 | 230 |
| 48795 | 230 |
| 48800 | 226 |
| 49330 | 234 |
| 49331 | 234 |
| 49332 | 234 |
| 49335 | 234 |
| 49336 | 234 |
| 49366 | 147-224 |
| 49367 | 147-224 |
| 49368 | 147-224-329-345 |
| 49385 | 45-83-164-223 |
| 49386 | 164-223 |
| 49387 | 164-223 |
| 49390 | 224 |
| 49730 | 49 |
| 49731 | 49 |
| 74450 | 367 |
| 74455 | 367 |
| 74460 | 367 |
| 74470 | 367 |
| 74480 | 367 |
| 74485 | 367 |
| 74490 | 367 |
| 74500 | 367 |
| 74510 | 367 |
| 74512 | 367 |
| 74515 | 367 |
| 74745 | 305 |
| 74746 | 305 |

| Reference No. | Page |
|---------------|---------------------|
| 74765 | 305 |
| 74766 | 305 |
| 74785 | 305 |
| 74786 | 305 |
| 74805 | 305 |
| 74806 | 305 |
| 74830 | 305 |
| 77020 | 259-271 |
| 77200 | 271 |
| 77430 | 245 |
| 77590 | 165-223-245-259-271 |
| 77600 | 223-311-354 |
| 77650 | 245-259-271-281 |
| 77670 | 245 |
| 77702 | 281 |
| 77712 | 281 |
| 77720 | 281 |
| 77952 | 281 |
| 77953 | 281 |
| 77962 | 281 |
| 77963 | 281 |
| 86020 | 245 |
| 86040 | 245 |
| 86400 | 271 |
| 86410 | 271 |
| 86420 | 271 |
| 86430 | 259-271 |
| 86440 | 271 |
| 86450 | 271 |
| 86460 | 271 |
| 86470 | 271 |
| 86490 | 259-271 |
| 86520 | 271 |
| 86550 | 259 |
| 86560 | 259 |
| 86570 | 259 |
| 86580 | 259 |
| 92000 | 259-271 |
| 92110 | 245-259 |
| 92110/1 | 245-259 |
| 92119 | 281 |
| 92121 | 281 |
| 92122 | 281 |
| 92123 | 281 |
| 92124 | 281 |
| 92125 | 281 |
| 92126 | 281 |
| 92127 | 281 |
| 92128 | 281 |
| 92129 | 281 |
| 92150 | 259-271 |
| 92580 | 245-259-271 |
| 92581 | 245-259-271 |
| 92582 | 245-259-271 |
| 92583 | 245-259-271 |
| 92584 | 245-259-271 |
| 92585 | 245-259-271 |
| 92589 | 259-271 |
| 92590 | 259-271 |

| Reference No. | Page |
|----------------|-------------|
| 92591 | 259-271 |
| 92609 | 281 |
| 92611 | 259-271-367 |
| 92620 | 245 |
| 92640 | 245 |
| 92713 | 281 |
| 92714 | 281 |
| 92721 | 281 |
| 92722 | 281 |
| 94270 | 259 |
| 94271 | 259 |
| 94272 | 259 |
| 94273 | 245-259-271 |
| 94274 | 245-259-271 |
| 94280 | 245 |
| 94292 | 245-259 |
| 94293 | 245 |
| 94380 | 367 |
| 94422 | 329 |
| 98460 | 281 |
| 178M | 242 |
| 178M/RR | 243 |
| 178P | 242 |
| 178P/RR | 243 |
| 1712GM | 242 |
| 1712GM/RR | 243 |
| 1724GM | 242 |
| 1724GM/RR | 243 |
| 40EMP48-72PO | 323 |
| 40EMP48-72PT | 323 |
| 40EMP72-96PO | 323 |
| 40EMP72-96PT | 323 |
| 40EMP96-120PO | 323 |
| 40EMP96-120PT | 323 |
| 40EMP120-168PO | 323 |
| 40EMP120-168PT | 323 |
| 40EMP144-192PO | 323 |
| 40EMP144-192PT | 323 |
| 40ENL48-72 | 320 |
| 40ENL72-96 | 320 |
| 40ENL96-120 | 320 |
| 40ENL120-168 | 320 |
| 40ENL144-192 | 320 |
| 40ENL192-240PO | 338 |
| 40ENL192-240PT | 338 |
| 40ENL216-288PO | 338 |
| 40ENL216-288PT | 338 |
| 40SUP48-72PO | 321 |
| 40SUP48-72PT | 321 |
| 40SUP72-96PO | 321 |
| 40SUP72-96PT | 321 |
| 40SUP96-120PO | 321 |
| 40SUP96-120PT | 321 |
| 40SUP120-168PO | 321 |
| 40SUP120-168PT | 321 |
| 40SUP144-192PO | 321 |
| 40SUP144-192PT | 321 |
| 55SUP192-240PO | 338 |
| 55SUP192-240PT | 338 |

QUICK SEARCH

| Reference No. | Page | Reference No. | Page | Reference No. | Page |
|-------------------|------|--------------------|------|----------------|---------|
| 55SUP216-288PO | 338 | ATX604020/INX-316 | 74 | BIG20016040POD | 110 |
| 55SUP216-288PT | 338 | ATX604025 | 70 | BIG20016050POD | 110 |
| 65SUP48-72PO | 322 | ATX605025 | 70 | BM4PO | 287 |
| 65SUP48-72PT | 322 | ATX605025/INX | 74 | BM4PO/RR | 287 |
| 65SUP72-96PO | 322 | ATX605025/INX-316 | 74 | BM4PT | 287 |
| 65SUP72-96PT | 322 | ATX606025 | 70 | BM4PT/RR | 287 |
| 65SUP96-120PO | 322 | ATX606025/INX | 74 | BM8PO | 287 |
| 65SUP96-120PT | 322 | ATX606025/INX-316 | 74 | BM8PO/RR | 287 |
| 65SUP120-168PO | 322 | ATX705025 | 70 | BM8PT | 287 |
| 65SUP120-168PT | 322 | ATX705025/INX | 74 | BM8PT/RR | 287 |
| 65SUP144-192PO | 322 | ATX705025/INX-316 | 74 | BNE19/6060 | 154 |
| 65SUP144-192PT | 322 | ATX806030 | 70 | BNE19/6080 | 154 |
| AS380/230 | 196 | ATX806030/INX | 74 | BNE6060 | 159 |
| AS640/230 | 197 | ATX806030/INX-316 | 74 | BNE6060/BTM | 159 |
| AS820/230 | 198 | ATX808030 | 70 | BNE6080 | 159 |
| AS1000/230 | 199 | ATX808030/INX | 74 | BNE6080/BTM | 159 |
| AS1600/230 | 200 | ATX808030/INX-316 | 74 | BNF19-1/2U | 154 |
| AS2000/230 | 201 | ATX1008030 | 70 | BNF19-1U/200 | 154 |
| AS2900/400 | 202 | ATX1008030/INX | 74 | BNF19-2U/250 | 154 |
| AS3850/400 | 203 | ATX1008030/INX-316 | 74 | BNF19-2U/400 | 154 |
| AS5800/400 | 204 | BF19/38U | 152 | BNF6040 | 136-159 |
| ASE380/230 | 196 | BF19/42U | 152 | BNF6060 | 136-159 |
| ASE640/230 | 197 | BF19/47U | 152 | BNF6080 | 136-159 |
| ASE820/230 | 198 | BIG1656040PO | 110 | BNF8040 | 159 |
| ASE1000/230 | 199 | BIG1656040PO/INX | 114 | BNF8060 | 159 |
| ASE1600/230 | 200 | BIG1658040PO | 110 | BNF8080 | 159 |
| ASE2000/230 | 201 | BIG1658040PO/INX | 114 | BP19/36U | 151 |
| ASE2900/400 | 202 | BIG16510040PO | 110 | BP19/40U | 151 |
| ASE3850/400 | 203 | BIG16510040PO/INX | 114 | BP19/45U | 151 |
| AT820/230 | 205 | BIG16510040POD | 110 | BPP19/6U | 151 |
| AT1150/230 | 206 | BIG16512040POD | 110 | BPP19/9U | 151 |
| AT1550/230 | 207 | BIG1806040PO | 110 | BPP19/12U | 151 |
| AT2050/230 | 208 | BIG1806040PO/INX | 114 | BPP19/15U | 151 |
| AT2900/400 | 209 | BIG1808040PO | 110 | BPP19/18U | 151 |
| AT3850/400 | 210 | BIG1808040PO/INX | 114 | BT2 | 286 |
| ATX302015 | 70 | BIG1808050PO | 110 | BT4 | 286 |
| ATX302015/INX | 74 | BIG1808050PO/INX | 114 | BTM16560 | 144 |
| ATX302015/INX-316 | 74 | BIG18010040PO | 110 | BTM16580 | 144 |
| ATX302515 | 70 | BIG18010040PO/INX | 114 | BTM165100 | 144 |
| ATX302515/INX | 74 | BIG18010040POD | 110 | BTM165100/P400 | 145 |
| ATX302515/INX-316 | 74 | BIG18010050PO | 110 | BTM165120 | 144 |
| ATX303015 | 70 | BIG18010050PO/INX | 114 | BTM165120/P400 | 145 |
| ATX303015/INX | 74 | BIG18010050POD | 110 | BTM18060 | 144 |
| ATX303015/INX-316 | 74 | BIG18012040POD | 110 | BTM18080 | 144 |
| ATX303020 | 70 | BIG18012050POD | 110 | BTM18080/E200 | 145 |
| ATX403020 | 70 | BIG20010040PO | 110 | BTM180100 | 144 |
| ATX403020/INX | 74 | BIG2006040PO | 110 | BTM180100/E200 | 145 |
| ATX403020/INX-316 | 74 | BIG2006040PO/INX | 114 | BTM180100/P400 | 145 |
| ATX404020 | 70 | BIG2008040PO | 110 | BTM180120 | 144 |
| ATX404020/INX | 74 | BIG2008040PO/INX | 114 | BTM180120/P400 | 145 |
| ATX404020/INX-316 | 74 | BIG2008050PO | 110 | BTM180160 | 144 |
| ATX406020 | 70 | BIG2008050PO/INX | 114 | BTM20060 | 144 |
| ATX406020/INX | 74 | BIG20010040PO/INX | 114 | BTM20080 | 144 |
| ATX406020/INX-316 | 74 | BIG20010040POD | 110 | BTM20080/E200 | 145 |
| ATX504020 | 70 | BIG20010050PO | 110 | BTM200100 | 144 |
| ATX504020/INX | 74 | BIG20010050PO/INX | 114 | BTM200100/E200 | 145 |
| ATX504020/INX-316 | 74 | BIG20010050POD | 110 | BTM200100/P400 | 145 |
| ATX604020 | 70 | BIG20012040POD | 110 | BTM200120 | 144 |
| ATX604020/INX | 74 | BIG20012050POD | 110 | BTM200120/P400 | 145 |

QUICK SEARCH

| Reference No. | Page |
|-----------------------|---------|
| BTM200160 | 144 |
| BTM22060 | 144 |
| BTM22080 | 144 |
| BTM22080/E200 | 145 |
| BV4PO | 287 |
| BV4PO/RR | 287 |
| BV4PT | 287 |
| BV4PT/RR | 287 |
| BV8PO | 287 |
| BV8PO/RR | 287 |
| BV8PT | 287 |
| BV8PT/RR | 287 |
| CDN4G | 264-286 |
| CDN4G/R | 265-286 |
| CDN4PT | 264 |
| CDN4PT/RR | 265 |
| CDN6PT | 264 |
| CDN6PT/RR | 265 |
| CDN8PT | 264 |
| CDN8PT/RR | 265 |
| CDN12PT | 264 |
| CDN12PT/RR | 265 |
| CDN18PT | 264 |
| CDN18PT/RR | 265 |
| CDN24PT | 264 |
| CDN24PT/PLUS | 257-269 |
| CDN24PT/RR | 267 |
| CDN36PT2F | 266 |
| CDN36PT2F/PLUS | 257-269 |
| CDN36PT2F/RR | 267 |
| CDN36PT3F | 266 |
| CDN36PT3F/RR | 267 |
| CDN54PT | 266 |
| CDN54PT/RR | 267 |
| CDP4PT | 264 |
| CDP4PT/RR | 265 |
| CDP6PT | 264 |
| CDP6PT/RR | 265 |
| CDP8PT | 264 |
| CDP8PT/RR | 265 |
| CDP12PT | 264 |
| CDP12PT/RR | 265 |
| CDP18PT | 264 |
| CDP18PT/RR | 265 |
| CDP24PT | 266 |
| CDP24PT/RR | 267 |
| CDP36PT2F | 266 |
| CDP36PT2F/RR | 267 |
| CDP36PT3F | 266 |
| CDP36PT3F/RR | 267 |
| CDP54PT | 266 |
| CDP54PT/RR | 267 |
| CE304060 | 150 |
| CE304080 | 150 |
| CE306050 | 150 |
| CE306060 | 150 |
| CE306080 | 150 |
| CE308050 | 150 |
| CE308060 | 150 |

| Reference No. | Page |
|---------------------|---------|
| CE308080 | 150 |
| CE3010050 | 150 |
| CE3010060 | 150 |
| CE3010080 | 150 |
| CE3012050 | 150 |
| CE3012060 | 150 |
| CE3012080 | 150 |
| CE404060 | 150 |
| CE404080 | 150 |
| CE406050 | 150 |
| CE406060 | 150 |
| CE406080 | 150 |
| CE408050 | 150 |
| CE408060 | 150 |
| CE408080 | 150 |
| CE4010050 | 150 |
| CE4010060 | 150 |
| CE4010080 | 150 |
| CE4012050 | 150 |
| CE4012060 | 150 |
| CE4012080 | 150 |
| CH3025/1520 | 35-80 |
| CH3030/1520 | 35-80 |
| CH4030/1520 | 35-80 |
| CH4040/1520 | 35-80 |
| CH4040/2530 | 35-80 |
| CH4060/1520 | 35-80 |
| CH4060/2530 | 35-80 |
| CH5040/1520 | 35-80 |
| CH5040/2530 | 35-80 |
| CH6040/1520 | 35-80 |
| CH6040/2530 | 35-80 |
| CH6060/1520 | 35-80 |
| CH6060/2530 | 35-80 |
| CH7050/1520 | 35-80 |
| CH7050/2530 | 35-80 |
| CH8060/1520 | 35-80 |
| CH8060/2530 | 35-80 |
| CH8080/1520 | 35-80 |
| CH8080/2530 | 35-80 |
| CH10060/2530 | 35-80 |
| CH10080/2530 | 35-80 |
| CH10080/40 | 35-80 |
| CSN4PT | 250 |
| CSN4PT/R | 251 |
| CSN6PT | 250 |
| CSN6PT/RR | 251 |
| CSN9PT | 250 |
| CSN9PT/RR | 251 |
| CSN12PT | 250 |
| CSN12PT/PLUS | 257-269 |
| CSN12PT/RR | 251 |
| CSN18PT | 250 |
| CSN18PT/PLUS | 257-269 |
| CSN18PT/RR | 251 |
| CSN24PT | 250 |
| CSN24PT/RR | 251 |
| CSN36PT | 250 |
| CSN36PT/RR | 251 |

| Reference No. | Page |
|-----------------------|------|
| CSNPLUS | 250 |
| CSNPLUS/RR | 251 |
| CT110 | 367 |
| CT114 | 367 |
| CT115/K | 361 |
| CT155/K | 361 |
| CT210 | 367 |
| CT217/K | 361 |
| CT220 | 367 |
| CT225 | 367 |
| CT326 | 367 |
| CT338 | 367 |
| CT536 | 367 |
| CT536/PH | 364 |
| D70 | 366 |
| D70/1K | 360 |
| D70/2K | 360 |
| D70/3K | 360 |
| D70/4K | 360 |
| D70/5K | 360 |
| D88 | 366 |
| D100 | 366 |
| D110 | 366 |
| D114 | 366 |
| D210 | 366 |
| DFF36PO | 352 |
| DFF36PO/PH | 354 |
| DFF36PO/PH/RR | 355 |
| DFF36PO/RR | 353 |
| DFF42PO | 352 |
| DFF42PO/PH | 354 |
| DFF42PO/PH/RR | 355 |
| DFF42PO/RR | 353 |
| DFF54PO | 352 |
| DFF54PO/PH | 354 |
| DFF54PO/PH/RR | 355 |
| DFF54PO/RR | 353 |
| DFF72PO | 352 |
| DFF72PO/PH | 354 |
| DFF72PO/PH/RR | 355 |
| DFF72PO/RR | 353 |
| DFF84PO | 352 |
| DFF84PO/PH | 354 |
| DFF84PO/PH/RR | 355 |
| DFF84PO/RR | 353 |
| DFF108PO | 352 |
| DFF108PO/PH | 354 |
| DFF108PO/PH/RR | 355 |
| DFF108PO/RR | 353 |
| E48M200 | 323 |
| E48P200 | 323 |
| E72M150 | 323 |
| E72M200 | 323 |
| E72P150 | 323 |
| E72P200 | 323 |
| E96M150 | 323 |
| E96M200 | 323 |
| E96P150 | 323 |
| E96P200 | 323 |

QUICK SEARCH

| Reference No. | Page | Reference No. | Page | Reference No. | Page |
|--------------------|------|----------------------|------|------------------|------|
| E120M150 | 323 | ELA3030135/INX-316 | 58 | ELT231 | 277 |
| E120M200 | 323 | ELA402090 | 54 | ELT322 | 277 |
| E120P150 | 323 | ELA402090/INX | 58 | ENL1656050PO/SP | 128 |
| E120P200 | 323 | ELA402090/INX-316 | 58 | ENL1656050PT/SP | 128 |
| E144M200 | 323 | ELA4020135 | 54 | ENL1656060PO/SP | 128 |
| E144P200 | 323 | ELA4020135/INX | 58 | ENL1656060PT/SP | 128 |
| E168M150 | 323 | ELA4020135/INX-316 | 58 | ENL1658050PO/SP | 128 |
| E168P150 | 323 | ELA4030135 | 54 | ENL1658050PT/SP | 128 |
| E192M150 | 323 | ELA4030135/INX | 58 | ENL1658060PO/SP | 128 |
| E192P150 | 323 | ELA4030135/INX-316 | 58 | ENL1658060PT/SP | 128 |
| EBF19/38U | 152 | ELA4040135 | 54 | ENL16510050PO/DC | 129 |
| EBF19/42U | 152 | ELA4040135/INX | 58 | ENL16510050PO/SP | 128 |
| EBF19/47U | 152 | ELA4040135/INX-316 | 58 | ENL16510050PT/DC | 129 |
| EE6751 | 328 | ELA5020135 | 54 | ENL16510060PO/DC | 129 |
| EE6771 | 328 | ELA5020135/INX | 58 | ENL16510060PO/SP | 128 |
| EE6791 | 328 | ELA5020135/INX-316 | 58 | ENL16510060PT/DC | 129 |
| EE67111 | 328 | ELA5030135 | 54 | ENL16512050PO/DC | 129 |
| EE67113 | 328 | ELA5030135/INX | 58 | ENL16512050PT/DC | 129 |
| EE1810PO | 344 | ELA5030135/INX-316 | 58 | ENL16512060PO/DC | 129 |
| EE1810PT | 344 | ELA6020135 | 54 | ENL16512060PT/DC | 129 |
| EE2110PO | 344 | ELA6040135 | 54 | ENL1806040PO/SP | 128 |
| EE2110PT | 344 | ELA8020135 | 54 | ENL1806040PT/SP | 128 |
| EL111 | 276 | ELAB1515135/INX | 60 | ENL1806050PO/SP | 128 |
| EL161 | 276 | ELAB1515135/INX-316 | 60 | ENL1806050PT/SP | 128 |
| EL171 | 276 | ELAB2015135/INX | 60 | ENL1806060PO/SP | 128 |
| EL231 | 276 | ELAB2015135/INX-316 | 60 | ENL1806060PT/SP | 128 |
| EL322 | 276 | ELAB2020135/INX | 60 | ENL1808040PO/SP | 128 |
| ELA151590 | 54 | ELAB2020135/INX-316 | 60 | ENL1808040PT/SP | 128 |
| ELA151590/INX | 58 | ELAB3015135/INX | 60 | ENL1808050PO/SP | 128 |
| ELA151590/INX-316 | 58 | ELAB3015135/INX-316 | 60 | ENL1808050PT/SP | 128 |
| ELA1515135 | 54 | ELAB3020135/INX | 60 | ENL1808060PO/SP | 128 |
| ELA1515135/INX | 58 | ELAB3020135/INX-316 | 60 | ENL1808060PT/SP | 128 |
| ELA1515135/INX-316 | 58 | ELAB3030135/INX | 60 | ENL18010040PO/DC | 129 |
| ELA201590 | 54 | ELAB3030135/INX-316 | 60 | ENL18010040PO/SP | 128 |
| ELA201590/INX | 58 | ELAB4020135/INX | 60 | ENL18010040PT/DC | 129 |
| ELA201590/INX-316 | 58 | ELAB4020135/INX-316 | 60 | ENL18010050PO/DC | 129 |
| ELA2015135 | 54 | ELAB4030135/INX | 60 | ENL18010050PO/SP | 128 |
| ELA2015135/INX | 58 | ELAB4030135/INX-316 | 60 | ENL18010050PT/DC | 129 |
| ELA2015135/INX-316 | 58 | ELAB4040135/INX | 60 | ENL18010060PO/DC | 129 |
| ELA202090 | 54 | ELAB4040135/INX-316 | 60 | ENL18010060PO/SP | 128 |
| ELA202090/INX | 58 | ELATX1515135/INX | 84 | ENL18010060PT/DC | 129 |
| ELA202090/INX-316 | 58 | ELATX1515135/INX-316 | 84 | ENL18012040PO/DC | 129 |
| ELA2020135 | 54 | ELATX2015135/INX | 84 | ENL18012040PT/DC | 129 |
| ELA2020135/INX | 58 | ELATX2015135/INX-316 | 84 | ENL18012050PO/DC | 129 |
| ELA2020135/INX-316 | 58 | ELATX2020135/INX | 84 | ENL18012050PT/DC | 129 |
| ELA301590 | 54 | ELATX2020135/INX-316 | 84 | ENL18012060PO/DC | 129 |
| ELA301590/INX | 58 | ELATX3015135/INX | 84 | ENL18012060PT/DC | 129 |
| ELA301590/INX-316 | 58 | ELATX3015135/INX-316 | 84 | ENL18016040PO/DC | 129 |
| ELA3015135 | 54 | ELATX3020135/INX | 84 | ENL18016050PO/DC | 129 |
| ELA3015135/INX | 58 | ELATX3020135/INX-316 | 84 | ENL2006040PO/SP | 128 |
| ELA3015135/INX-316 | 58 | ELATX3030135/INX | 84 | ENL2006040PT/SP | 128 |
| ELA302090 | 54 | ELATX3030135/INX-316 | 84 | ENL2006050PO/SP | 128 |
| ELA302090/INX | 58 | ELATX4020135/INX | 84 | ENL2006050PT/SP | 128 |
| ELA302090/INX-316 | 58 | ELATX4020135/INX-316 | 84 | ENL2006060PO/SP | 128 |
| ELA3020135 | 54 | ELATX4030135/INX | 84 | ENL2006060PT/SP | 128 |
| ELA3020135/INX | 58 | ELATX4030135/INX-316 | 84 | ENL2006080PO/SP | 128 |
| ELA3020135/INX-316 | 58 | ELATX4040135/INX | 84 | ENL2006080PT/SP | 128 |
| ELA3030135 | 54 | ELATX4040135/INX-316 | 84 | ENL20060100PO/SP | 128 |
| ELA3030135/INX | 58 | ELT171 | 277 | ENL20060100PT/SP | 128 |

QUICK SEARCH

| Reference No. | Page |
|--------------------|------|
| ENL2008040PO/SP | 128 |
| ENL2008040PT/SP | 128 |
| ENL2008050PO/SP | 128 |
| ENL2008050PT/SP | 128 |
| ENL2008060PO/SP | 128 |
| ENL2008060PT/SP | 128 |
| ENL2008080PO/SP | 128 |
| ENL2008080PT/SP | 128 |
| ENL20080100PO/SP | 128 |
| ENL20080100PT/SP | 128 |
| ENL20010040PO/DC | 129 |
| ENL20010040PO/SP | 128 |
| ENL20010040PT/DC | 129 |
| ENL20010050PO/DC | 129 |
| ENL20010050PO/SP | 128 |
| ENL20010050PT/DC | 129 |
| ENL20010060PO/DC | 129 |
| ENL20010060PO/SP | 128 |
| ENL20010060PT/DC | 129 |
| ENL20010080PO/DC | 129 |
| ENL20010080PO/SP | 128 |
| ENL20010080PT/DC | 129 |
| ENL20012040PO/DC | 129 |
| ENL20012040PT/DC | 129 |
| ENL20012050PO/DC | 129 |
| ENL20012050PT/DC | 129 |
| ENL20012060PO/DC | 129 |
| ENL20012060PT/DC | 129 |
| ENL20012080PO/DC | 129 |
| ENL20012080PT/DC | 129 |
| ENL20016040PO/DC | 129 |
| ENL20016050PO/DC | 129 |
| ENL20016060PO/DC | 129 |
| ENL20016080PO/DC | 129 |
| ENL2206060PO/SP | 128 |
| ENL22060100PO/SP | 128 |
| ENL22060100PT/SP | 128 |
| ENL2208060PO/SP | 128 |
| ENL2208060PT/SP | 128 |
| ENL2208080PO/SP | 128 |
| ENL2208080PT/SP | 128 |
| ENL22080100PO/SP | 128 |
| ENL22080100PT/SP | 128 |
| ENLBP1808060PT/SP | 153 |
| ENLBP1808080PT/SP | 153 |
| ENLBP18010060PT/SP | 153 |
| ENLBP18010080PT/SP | 153 |
| ENLBP2008060PT/SP | 153 |
| ENLBP2008080PT/SP | 153 |
| ENLBP20010060PT/SP | 153 |
| ENLBP20010080PT/SP | 153 |
| ENLBP2208060PT/SP | 153 |
| ENLBP2208080PT/SP | 153 |
| ENLPC1656060 | 136 |
| ENLPC1656060/PMO | 136 |
| ENLPC1656080 | 136 |
| EP048 | 276 |
| EP088 | 276 |
| ESQ1804040 | 148 |

| Reference No. | Page |
|------------------|------|
| ESQ1804050 | 148 |
| ESQ1804060 | 148 |
| ESQ1805050 | 148 |
| ESQ1805060 | 148 |
| ESQ1806060 | 148 |
| ESQ1806080 | 148 |
| ESQ2004040 | 148 |
| ESQ2004050 | 148 |
| ESQ2004060 | 148 |
| ESQ2004080 | 148 |
| ESQ2005050 | 148 |
| ESQ2005060 | 148 |
| ESQ2005080 | 148 |
| ESQ2006050 | 148 |
| ESQ2006060 | 148 |
| ESQ2006080 | 148 |
| ESQ2008080 | 148 |
| EV111 | 276 |
| EV161 | 276 |
| EV171 | 276 |
| EV231 | 276 |
| EV322 | 276 |
| EVT171 | 277 |
| EVT231 | 277 |
| EVT322 | 277 |
| EX088 | 276 |
| EX111 | 276 |
| EX161 | 276 |
| EX171 | 276 |
| EX231 | 276 |
| EX322 | 276 |
| EXA3015135 | 54 |
| EXA3020135 | 54 |
| EXA3030135 | 54 |
| EXA4020135 | 54 |
| EXA4030135 | 54 |
| EXA4040135 | 54 |
| EXA5020135 | 54 |
| EXA5030135 | 54 |
| EXA6020135 | 54 |
| EXA6030135 | 54 |
| EXA6040135 | 54 |
| EXA8020135 | 54 |
| EXA8040135 | 54 |
| EXT171 | 277 |
| EXT231 | 277 |
| EXT322 | 277 |
| F93 | 189 |
| F123 | 189 |
| F222 | 189 |
| F290 | 189 |
| FSC1656040PO/SP | 122 |
| FSC1656040PT/SP | 122 |
| FSC1658040PO/SP | 122 |
| FSC1658040PT/SP | 122 |
| FSC1658050PO/SP | 122 |
| FSC1658050PT/SP | 122 |
| FSC16510040PO/DC | 122 |
| FSC16510040PO/SP | 122 |

| Reference No. | Page |
|------------------|------|
| FSC16510040PT/DC | 122 |
| FSC16510050PO/DC | 122 |
| FSC16510050PO/SP | 122 |
| FSC16510050PT/DC | 122 |
| FSC16512040PO/DC | 122 |
| FSC16512040PT/DC | 122 |
| FSC1806040PO/SP | 122 |
| FSC1806040PT/SP | 122 |
| FSC1808040PO/SP | 122 |
| FSC1808040PT/SP | 122 |
| FSC1808050PO/SP | 122 |
| FSC1808050PT/SP | 122 |
| FSC18010040PO/DC | 122 |
| FSC18010040PO/SP | 122 |
| FSC18010040PT/DC | 122 |
| FSC18010050PO/DC | 122 |
| FSC18010050PO/SP | 122 |
| FSC18010050PT/DC | 122 |
| FSC18012040PO/DC | 122 |
| FSC18012040PT/DC | 122 |
| FSC18012050PO/DC | 122 |
| FSC18012050PT/DC | 122 |
| FSC18016040PO/DC | 122 |
| FSC18016050PO/DC | 122 |
| FSC2006040PO/SP | 122 |
| FSC2006040PT/SP | 122 |
| FSC2008040PO/SP | 122 |
| FSC2008040PT/SP | 122 |
| FSC2008050PO/SP | 122 |
| FSC2008050PT/SP | 122 |
| FSC20010040PO/DC | 122 |
| FSC20010040PO/SP | 122 |
| FSC20010040PT/DC | 122 |
| FSC20010050PO/DC | 122 |
| FSC20010050PO/SP | 122 |
| FSC20010050PT/DC | 122 |
| FSC20012040PO/DC | 122 |
| FSC20012040PT/DC | 122 |
| FSC20012050PO/DC | 122 |
| FSC20012050PT/DC | 122 |
| FSC20016040PO/DC | 122 |
| FSC20016050PO/DC | 122 |
| GD400 | 140 |
| GD600 | 140 |
| GD800 | 140 |
| GD1000 | 140 |
| GD1200 | 140 |
| GN252015 | 22 |
| GN252015/SP | 22 |
| GN252515 | 22 |
| GN252515/SP | 22 |
| GN302015 | 22 |
| GN302015/SP | 22 |
| GN302515 | 22 |
| GN302515/SP | 22 |
| GN302520 | 22 |
| GN302520/SP | 22 |
| GN303015 | 22 |
| GN303015/SP | 22 |

QUICK SEARCH

| Reference No. | Page | Reference No. | Page | Reference No. | Page |
|----------------|------|----------------|------|-----------------|------|
| GN303020 | 22 | GN604025/SP | 22 | GN8010030 | 23 |
| GN303020/SP | 22 | GN604030 | 22 | GN8010030/PD | 24 |
| GN304015 | 22 | GN604030/SP | 22 | GN8010030/SP | 23 |
| GN304015/SP | 22 | GN605015 | 22 | GN8010030PD/SP | 24 |
| GN304020 | 22 | GN605015/SP | 22 | GN8010040/PD | 24 |
| GN304020/SP | 22 | GN605020 | 22 | GN8010040PD/SP | 24 |
| GN403015 | 22 | GN605020/SP | 22 | GN8012030/PD | 24 |
| GN403015/SP | 22 | GN605025 | 22 | GN8012030PD/SP | 24 |
| GN403020 | 22 | GN605025/SP | 22 | GN8012040/PD | 24 |
| GN403020/SP | 22 | GN605030 | 22 | GN8012040PD/SP | 24 |
| GN404015 | 22 | GN605030/SP | 22 | GN1006025 | 23 |
| GN404015/SP | 22 | GN606020 | 22 | GN1006025/SP | 23 |
| GN404020 | 22 | GN606020/SP | 22 | GN1006030 | 23 |
| GN404020/SP | 22 | GN606025 | 22 | GN1006030/SP | 23 |
| GN404025 | 22 | GN606025/SP | 22 | GN1006040 | 23 |
| GN404025/SP | 22 | GN606030 | 22 | GN1006040/SP | 23 |
| GN406020 | 22 | GN606030/SP | 22 | GN1008025 | 23 |
| GN406020/SP | 22 | GN606040 | 22 | GN1008025/SP | 23 |
| GN406025 | 22 | GN606040/SP | 22 | GN1008030 | 23 |
| GN406025/SP | 22 | GN608025 | 22 | GN1008030/SP | 23 |
| GN406030 | 22 | GN608025/SP | 22 | GN1008040 | 23 |
| GN406030/SP | 22 | GN608030 | 22 | GN1008040/SP | 23 |
| GN503015 | 22 | GN608030/SP | 22 | GN10010030 | 23 |
| GN503015/SP | 22 | GN6012025/PD | 24 | GN10010030/PD | 24 |
| GN503020 | 22 | GN6012025PD/SP | 24 | GN10010030/SP | 23 |
| GN503020/SP | 22 | GN6012030/PD | 24 | GN10010030PD/SP | 24 |
| GN503025 | 22 | GN6012030PD/SP | 24 | GN10010040/PD | 24 |
| GN503025/SP | 22 | GN705015 | 22 | GN10010040PD/SP | 24 |
| GN504015 | 22 | GN705015/SP | 22 | GN10012030/PD | 24 |
| GN504015/SP | 22 | GN705020 | 22 | GN10012030PD/SP | 24 |
| GN504020 | 22 | GN705020/SP | 22 | GN10012040/PD | 24 |
| GN504020/SP | 22 | GN705025 | 22 | GN10012040PD/SP | 24 |
| GN504025 | 22 | GN705025/SP | 22 | GN1206025 | 23 |
| GN504025/SP | 22 | GN705030 | 22 | GN1206025/SP | 23 |
| GN504030 | 22 | GN705030/SP | 22 | GN1206030 | 23 |
| GN504030/SP | 22 | GN804020 | 22 | GN1206030/SP | 23 |
| GN505015 | 22 | GN804020/SP | 22 | GN1206040 | 23 |
| GN505015/SP | 22 | GN804025 | 22 | GN1206040/SP | 23 |
| GN505020 | 22 | GN804025/SP | 22 | GN1208030 | 23 |
| GN505020/SP | 22 | GN804030 | 22 | GN1208030/SP | 23 |
| GN505025 | 22 | GN804030/SP | 22 | GN1208040 | 23 |
| GN505025/SP | 22 | GN806020 | 22 | GN1208040/SP | 23 |
| GN505030 | 22 | GN806020/SP | 22 | GN1209030 | 23 |
| GN505030/SP | 22 | GN806025 | 22 | GN1209030/SP | 23 |
| GN507020 | 22 | GN806025/SP | 22 | GN12010030 | 23 |
| GN507020/SP | 22 | GN806030 | 22 | GN12010030/PD | 24 |
| GN508025 | 22 | GN806030/SP | 22 | GN12010030/SP | 23 |
| GN508025/SP | 22 | GN806040 | 22 | GN12010030PD/SP | 24 |
| GN508030 | 22 | GN806040/SP | 22 | GN12010040/PD | 24 |
| GN508030/SP | 22 | GN808020 | 22 | GN12010040PD/SP | 24 |
| GN5010025/PD | 24 | GN808020/SP | 22 | GN12012025 | 23 |
| GN5010025PD/SP | 24 | GN808025 | 22 | GN12012025/PD | 24 |
| GN5010030/PD | 24 | GN808025/SP | 22 | GN12012025/SP | 23 |
| GN5010030PD/SP | 24 | GN808030 | 23 | GN12012025PD/SP | 24 |
| GN604015 | 22 | GN808030/SP | 23 | GN12012030/PD | 24 |
| GN604015/SP | 22 | GN808040 | 23 | GN12012030PD/SP | 24 |
| GN604020 | 22 | GN808040/SP | 23 | GN12012040/PD | 24 |
| GN604020/SP | 22 | GN8010020/PD | 24 | GN12012040PD/SP | 24 |
| GN604025 | 22 | GN8010020PD/SP | 24 | GN1406030 | 23 |

QUICK SEARCH

| Reference No. | Page |
|-----------------|------|
| GN1406030/SP | 23 |
| GN1406040 | 23 |
| GN1406040/SP | 23 |
| GN1408030 | 23 |
| GN1408030/SP | 23 |
| GN1408040 | 23 |
| GN1408040/SP | 23 |
| GN14010030/PD | 24 |
| GN14010030PD/SP | 24 |
| GN14010040 | 23 |
| GN14010040/PD | 24 |
| GN14010040/SP | 23 |
| GN14010040PD/SP | 24 |
| GN14012040/PD | 24 |
| GN14012040PD/SP | 24 |
| GNL605040 | 26 |
| GNL606040 | 26 |
| GNL608040 | 26 |
| GNL6010040 | 26 |
| GNL6012040 | 26 |
| GNT252015 | 22 |
| GNT252515 | 22 |
| GNT302015 | 22 |
| GNT302515 | 22 |
| GNT302520 | 22 |
| GNT303015 | 22 |
| GNT303020 | 22 |
| GNT304015 | 22 |
| GNT304020 | 22 |
| GNT403015 | 22 |
| GNT403020 | 22 |
| GNT404015 | 22 |
| GNT404020 | 22 |
| GNT404025 | 22 |
| GNT406020 | 22 |
| GNT406025 | 22 |
| GNT406030 | 22 |
| GNT503015 | 22 |
| GNT503020 | 22 |
| GNT503025 | 22 |
| GNT504015 | 22 |
| GNT504020 | 22 |
| GNT504025 | 22 |
| GNT504030 | 22 |
| GNT505015 | 22 |
| GNT505020 | 22 |
| GNT505025 | 22 |
| GNT505030 | 22 |
| GNT507020 | 22 |
| GNT508025 | 22 |
| GNT508030 | 22 |
| GNT604015 | 22 |
| GNT604020 | 22 |
| GNT604025 | 22 |
| GNT604030 | 22 |
| GNT605015 | 22 |
| GNT605020 | 22 |
| GNT605025 | 22 |
| GNT605030 | 22 |

| Reference No. | Page |
|---------------|------|
| GNT606020 | 22 |
| GNT606025 | 22 |
| GNT606030 | 22 |
| GNT606040 | 22 |
| GNT608025 | 22 |
| GNT608030 | 22 |
| GNT705015 | 22 |
| GNT705020 | 22 |
| GNT705025 | 22 |
| GNT705030 | 22 |
| GNT804020 | 22 |
| GNT804025 | 22 |
| GNT804030 | 22 |
| GNT806020 | 22 |
| GNT806025 | 22 |
| GNT806030 | 22 |
| GNT806040 | 22 |
| GNT808020 | 22 |
| GNT808025 | 22 |
| GNT808030 | 23 |
| GNT808040 | 23 |
| GNT8010030 | 23 |
| GNT1006025 | 23 |
| GNT1006030 | 23 |
| GNT1006040 | 23 |
| GNT1008025 | 23 |
| GNT1008030 | 23 |
| GNT1008040 | 23 |
| GNT10010030 | 23 |
| GNT1206025 | 23 |
| GNT1206030 | 23 |
| GNT1206040 | 23 |
| GNT1208030 | 23 |
| GNT1208040 | 23 |
| GNT1209030 | 23 |
| GNT12010030 | 23 |
| GNT12012025 | 23 |
| GNT1406030 | 23 |
| GNT1406040 | 23 |
| GNT1408030 | 23 |
| GNT1408040 | 23 |
| GNT14010040 | 23 |
| GPE12PO | 300 |
| GPE12PO/PH | 302 |
| GPE12PO/PH/RA | 303 |
| GPE12PO/PH/RR | 303 |
| GPE12PO/RA | 301 |
| GPE12PO/RR | 301 |
| GPE12PT | 300 |
| GPE12PT/PH | 302 |
| GPE12PT/PH/RA | 303 |
| GPE12PT/PH/RR | 303 |
| GPE12PT/RA | 301 |
| GPE12PT/RR | 301 |
| GPE18PO | 300 |
| GPE18PO/PH | 302 |
| GPE18PO/PH/RA | 303 |
| GPE18PO/PH/RR | 303 |
| GPE18PO/RA | 301 |

| Reference No. | Page |
|---------------|------|
| GPE18PO/RR | 301 |
| GPE18PT | 300 |
| GPE18PT/PH | 302 |
| GPE18PT/PH/RA | 303 |
| GPE18PT/PH/RR | 303 |
| GPE18PT/RA | 301 |
| GPE18PT/RR | 301 |
| GPE24PO | 300 |
| GPE24PO/PH | 302 |
| GPE24PO/PH/RA | 303 |
| GPE24PO/PH/RR | 303 |
| GPE24PO/RA | 301 |
| GPE24PO/RR | 301 |
| GPE24PT | 300 |
| GPE24PT/PH | 302 |
| GPE24PT/PH/RA | 303 |
| GPE24PT/PH/RR | 303 |
| GPE24PT/RA | 301 |
| GPE24PT/RR | 301 |
| GPE36PO | 300 |
| GPE36PO/PH | 302 |
| GPE36PO/PH/RA | 303 |
| GPE36PO/PH/RR | 303 |
| GPE36PO/RA | 301 |
| GPE36PO/RR | 301 |
| GPE36PT | 300 |
| GPE36PT/PH | 302 |
| GPE36PT/PH/RA | 303 |
| GPE36PT/PH/RR | 303 |
| GPE36PT/RA | 301 |
| GPE36PT/RR | 301 |
| GPS12PO | 294 |
| GPS12PO/RA | 295 |
| GPS12PO/RR | 295 |
| GPS12PT | 294 |
| GPS12PT/RA | 295 |
| GPS12PT/RR | 295 |
| GPS18PO | 294 |
| GPS18PO/RA | 295 |
| GPS18PO/RR | 295 |
| GPS18PT | 294 |
| GPS18PT/RA | 295 |
| GPS18PT/RR | 295 |
| GPS24PO | 294 |
| GPS24PO/RA | 295 |
| GPS24PO/RR | 295 |
| GPS24PT | 294 |
| GPS24PT/RA | 295 |
| GPS24PT/RR | 295 |
| GPS36PO | 294 |
| GPS36PO/RA | 295 |
| GPS36PO/RR | 295 |
| GPS36PT | 294 |
| GPS36PT/RA | 295 |
| GPS36PT/RR | 295 |
| GSL171 | 278 |
| GSL231 | 278 |
| GSL322 | 278 |
| GSLT171 | 279 |

QUICK SEARCH

| Reference No. | Page | Reference No. | Page | Reference No. | Page |
|---------------|------|--------------------|-------|-----------------|------|
| GSLT231 | 279 | INX1008030-316 | 30 | INXT605025-316 | 30 |
| GSLT322 | 279 | INX10010030/PD | 30 | INXT606025 | 30 |
| GSV171 | 278 | INX10010030/PD-316 | 30 | INXT606025-316 | 30 |
| GSV231 | 278 | INX12010030/PD | 30 | INXT705025 | 30 |
| GSV322 | 278 | INX12010030/PD-316 | 30 | INXT705025-316 | 30 |
| GSVT171 | 279 | INXCH3025/1520 | 35-80 | INXT806030 | 30 |
| GSVT231 | 279 | INXCH4030/1520 | 35-80 | INXT806030-316 | 30 |
| GSVT322 | 279 | INXCH5040/1520 | 35-80 | INXT808030 | 30 |
| GSX171 | 278 | INXCH6040/1520 | 35-80 | INXT808030-316 | 30 |
| GSX231 | 278 | INXCH6060/2530 | 35-80 | INXT1008030 | 30 |
| GSX322 | 278 | INXCH7050/2530 | 35-80 | INXT1008030-316 | 30 |
| GSXT171 | 279 | INXCH8060/2530 | 35-80 | INXTEJ2015 | 42 |
| GSXT231 | 279 | INXCH8080/2530 | 35-80 | INXTEJ2515 | 42 |
| GSXT322 | 279 | INXCH10080/2530 | 35-80 | INXTEJ3015 | 42 |
| HG02 | 194 | INXPIN3020 | 42-81 | INXTEJ3020 | 42 |
| HT250 | 195 | INXPIN3025 | 42-81 | INXTEJ4020 | 42 |
| IG1000/230 | 215 | INXPIN3030 | 42-81 | INXTEJ5025 | 42 |
| IGV1000/230 | 215 | INXPIN4030 | 42-81 | INXTEJ6020 | 42 |
| IG1750/230 | 216 | INXPIN4040 | 42-81 | INXTEJ6025 | 42 |
| IGV1750/230 | 216 | INXPIN4060 | 42 | INXTEJ6030 | 42 |
| IG2500/230 | 217 | INXPIN5040 | 42-81 | INXTEJ8030 | 42 |
| IGV2500/230 | 217 | INXPIN6040 | 42-81 | INXTEJ10030 | 42 |
| IGT2500/230 | 218 | INXPIN6050 | 42-81 | INXZCLA104020 | 37 |
| IGVT2500/230 | 218 | INXPIN6060 | 42-81 | INXZCLA105025 | 37 |
| IG4500/230 | 219 | INXPIN7050 | 42-81 | INXZCLA106020 | 37 |
| IGV4500/230 | 219 | INXPIN8060 | 42-81 | INXZCLA106025 | 37 |
| IG6000/230 | 220 | INXPIN8080 | 42-81 | INXZCLA106030 | 37 |
| IGV6000/230 | 220 | INXPIN10080 | 42-81 | INXZCLA108030 | 37 |
| IG10000/230 | 221 | INXPIN100100 | 42 | INXZCLA1010030 | 37 |
| IGV10000/230 | 221 | INXPIN120100 | 42 | INXZCLB6040 | 116 |
| INX302015 | 30 | INXP03020 | 44-82 | INXZCLB8040 | 116 |
| INX302015-316 | 30 | INXP03025 | 44-82 | INXZCLB8050 | 116 |
| INX302515 | 30 | INXP03030 | 44-82 | INXZCLB10040 | 116 |
| INX302515-316 | 30 | INXP04030 | 44-82 | INXZCLB10050 | 116 |
| INX303015 | 30 | INXP04040 | 44-82 | IR22/230 | 211 |
| INX303015-316 | 30 | INXP04060 | 44-82 | IR36/230 | 212 |
| INX403020 | 30 | INXP05040 | 44-82 | IR50/230 | 213 |
| INX403020-316 | 30 | INXP06040 | 44-82 | IR80/230 | 214 |
| INX404020 | 30 | INXP06050 | 44-82 | KRS2006040 | 143 |
| INX404020-316 | 30 | INXP06060 | 44-82 | KRS2006060 | 143 |
| INX406020 | 30 | INXP07050 | 44-82 | KRS2008060 | 143 |
| INX406020-316 | 30 | INXP08060 | 44-82 | KRS2008080 | 143 |
| INX504020 | 30 | INXP08080 | 44-82 | KRSPL20060 | 143 |
| INX504020-316 | 30 | INXP010080 | 44-82 | KRSPL20080 | 143 |
| INX504025 | 30 | INXP0100100/PD | 44 | KRSZCL106040 | 143 |
| INX504025-316 | 30 | INXP0120100/PD | 44 | KRSZCL106060 | 143 |
| INX604020 | 30 | INXT403020 | 30 | KRSZCL108060 | 143 |
| INX604020-316 | 30 | INXT403020-316 | 30 | KRSZCL108080 | 143 |
| INX605025 | 30 | INXT404020 | 30 | LED400M | 234 |
| INX605025-316 | 30 | INXT404020-316 | 30 | LED400T | 234 |
| INX606025 | 30 | INXT406020 | 30 | ME401810 | 342 |
| INX606025-316 | 30 | INXT406020-316 | 30 | ME402110 | 342 |
| INX705025 | 30 | INXT504020 | 30 | MEB16560 | 144 |
| INX705025-316 | 30 | INXT504020-316 | 30 | MEB16580 | 144 |
| INX806030 | 30 | INXT504025 | 30 | MEB18060 | 144 |
| INX806030-316 | 30 | INXT504025-316 | 30 | MEB18080 | 144 |
| INX808030 | 30 | INXT604020 | 30 | MEB20060 | 144 |
| INX808030-316 | 30 | INXT604020-316 | 30 | MEB20080 | 144 |
| INX1008030 | 30 | INXT605025 | 30 | MEB22060 | 144 |

QUICK SEARCH

| Reference No. | Page |
|---------------|------|
| MEB22080 | 144 |
| MEC4048 | 327 |
| MEC4072 | 327 |
| MEC4096 | 327 |
| MEC40120 | 327 |
| MEC40144 | 327 |
| MEL4048 | 327 |
| MEL4072 | 327 |
| MEL4096 | 327 |
| MEL40120 | 327 |
| MEL40144 | 327 |
| MEX1803040 | 149 |
| MEX1803050 | 149 |
| MEX1803060 | 149 |
| MEX1803080 | 149 |
| MEX1804040 | 149 |
| MEX1804050 | 149 |
| MEX1804060 | 149 |
| MEX1804080 | 149 |
| MEX2003040 | 149 |
| MEX2003050 | 149 |
| MEX2003060 | 149 |
| MEX2003080 | 149 |
| MEX2004040 | 149 |
| MEX2004050 | 149 |
| MEX2004060 | 149 |
| MEX2004080 | 149 |
| MEX2203060 | 149 |
| MEX2203080 | 149 |
| MEX2204060 | 149 |
| MEX2204080 | 149 |
| PAT16560 | 131 |
| PAT16580 | 131 |
| PAT165100 | 131 |
| PAT165120 | 131 |
| PAT18030 | 131 |
| PAT18040 | 131 |
| PAT18060 | 131 |
| PAT18080 | 131 |
| PAT180100 | 131 |
| PAT180120 | 131 |
| PAT180160 | 131 |
| PAT20030 | 131 |
| PAT20040 | 131 |
| PAT20060 | 131 |
| PAT20080 | 131 |
| PAT200100 | 131 |
| PAT200120 | 131 |
| PAT200160 | 131 |
| PAT22030 | 131 |
| PAT22040 | 131 |
| PAT22060 | 131 |
| PAT22080 | 131 |
| PBI28 | 353 |
| PBI32 | 353 |
| PBI44 | 353 |
| PBL3025 | 94 |
| PBL32 | 104 |
| PBL33 | 104 |

| Reference No. | Page |
|---------------|---------|
| PBL34 | 104 |
| PBL4030 | 94 |
| PBL4040 | 94 |
| PBL42 | 104 |
| PBL44 | 104 |
| PBL5040 | 94 |
| PBL6040 | 94 |
| PBL6050 | 94 |
| PBL63 | 104 |
| PBL64 | 104 |
| PBL66 | 104 |
| PBL8060 | 94 |
| PBL84 | 104 |
| PBL86 | 104 |
| PC600 | 170 |
| PC1000 | 170 |
| PC1000/PD | 170 |
| PC1200 | 170 |
| PCH4030 | 95 |
| PCH4040 | 95 |
| PCH5040 | 95 |
| PCH6040 | 95 |
| PCH6050 | 95 |
| PCH8060 | 95 |
| PCH8060/5 | 95 |
| PCSN6PT | 254 |
| PCSN6PT/RR | 255 |
| PCSN9PT | 254 |
| PCSN9PT/RR | 255 |
| PCSN12PT | 254 |
| PCSN12PT/PLUS | 257-269 |
| PCSN12PT/RR | 255 |
| PCSN18PT | 254 |
| PCSN18PT/PLUS | 257-269 |
| PCSN18PT/RR | 255 |
| PCSN24PT | 254 |
| PCSN24PT/RR | 255 |
| PCSN36PT | 254 |
| PCSN36PT/RR | 255 |
| PCSNPLUS | 254 |
| PCSNPLUS/RR | 255 |
| PIN3020 | 41-81 |
| PIN3025 | 41-81 |
| PIN3030 | 41-81 |
| PIN3040 | 41 |
| PIN4030 | 41-81 |
| PIN4040 | 41-81 |
| PIN4060 | 41-81 |
| PIN5030 | 41 |
| PIN5040 | 41-81 |
| PIN5050 | 41 |
| PIN5070 | 41 |
| PIN6040 | 41-81 |
| PIN6050 | 41-81 |
| PIN6060 | 41-81 |
| PIN6080 | 41 |
| PIN7050 | 41-81 |
| PIN8040 | 41 |
| PIN8060 | 41-81 |

| Reference No. | Page |
|---------------|-------|
| PIN8080 | 41-81 |
| PIN80100 | 41 |
| PIN80120 | 41 |
| PIN10060 | 41 |
| PIN10080 | 41-81 |
| PIN100100 | 41 |
| PIN100120 | 41 |
| PIN12060 | 41 |
| PIN12080 | 41 |
| PIN12090 | 41 |
| PIN120100 | 41 |
| PIN120120 | 41 |
| PIN14060 | 41 |
| PIN14080 | 41 |
| PIN140100 | 41 |
| PIN16560 | 161 |
| PIN16580 | 161 |
| PIN165100 | 161 |
| PIN18040 | 161 |
| PIN18060 | 161 |
| PIN18080 | 161 |
| PIN180100 | 161 |
| PIN20040 | 161 |
| PIN20060 | 161 |
| PIN20080 | 161 |
| PIN200100 | 161 |
| PIN22060 | 161 |
| PIN22080 | 161 |
| PL2520 | 32 |
| PL2525 | 32 |
| PL3020 | 32-78 |
| PL3025 | 32-78 |
| PL3030 | 32-78 |
| PL3040 | 32 |
| PL4030 | 32-78 |
| PL4040 | 32-78 |
| PL4060 | 32-78 |
| PL5030 | 32 |
| PL5040 | 32-78 |
| PL5050 | 32 |
| PL5070 | 32 |
| PL5080 | 32 |
| PL50100 | 32 |
| PL6040 | 32-78 |
| PL6050 | 32-78 |
| PL6060 | 32-78 |
| PL6080 | 32 |
| PL60120 | 32 |
| PL7050 | 32-78 |
| PL8040 | 32 |
| PL8060 | 32-78 |
| PL8080 | 32-78 |
| PL80100 | 32 |
| PL80120 | 32 |
| PL10060 | 32 |
| PL10080 | 32-78 |
| PL100100 | 32 |
| PL100120 | 32 |
| PL12060 | 32 |

QUICK SEARCH

| Reference No. | Page | Reference No. | Page | Reference No. | Page |
|---------------|---------|---------------|---------|---------------|-------|
| PL12080 | 32 | PLB8040 | 33 | PLP30120 | 138 |
| PL12090 | 32 | PLB8060 | 33-78 | PLP4040 | 138 |
| PL120100 | 32 | PLB8080 | 33-78 | PLP4060 | 138 |
| PL120120 | 32 | PLB80100 | 33 | PLP4080 | 138 |
| PL14060 | 32 | PLB80120 | 33 | PLP40100 | 138 |
| PL14080 | 32 | PLB10060 | 33 | PLP40120 | 138 |
| PL140100 | 32 | PLB10080 | 33-78 | PLP6040 | 138 |
| PL140120 | 32 | PLB100100 | 33 | PLP6060 | 138 |
| PL16560 | 138 | PLB100120 | 33 | PLP6080 | 138 |
| PL16580 | 138 | PLB12060 | 33 | PLP60100 | 138 |
| PL165100 | 138 | PLB12080 | 33 | PLP60120 | 138 |
| PL165120 | 138 | PLB12090 | 33 | PLS18040 | 139 |
| PL18040 | 138 | PLB120100 | 33 | PLS18050 | 139 |
| PL18060 | 138 | PLB120120 | 33 | PLS18060 | 139 |
| PL18080 | 138 | PLB140100 | 33 | PLS18080 | 139 |
| PL180100 | 138 | PLBA600 | 172 | PLS20040 | 139 |
| PL180120 | 138 | PLBA800 | 172 | PLS20050 | 139 |
| PL180160 | 138 | PLBA1000 | 172 | PLS20060 | 139 |
| PL20040 | 138 | PLBA1200 | 172 | PLS20080 | 139 |
| PL20060 | 138 | PLBA1600 | 172 | PLS22080 | 139 |
| PL20080 | 138 | PLBE600 | 172 | PLT1515 | 62-84 |
| PL200100 | 138 | PLBE800 | 172 | PLT2015 | 62-84 |
| PL200120 | 138 | PLBE1000 | 172 | PLT2020 | 62-84 |
| PL200160 | 138 | PLBE1200 | 172 | PLT3015 | 62-84 |
| PL22040 | 138 | PLBE1600 | 172 | PLT3020 | 62-84 |
| PL22060 | 138 | PLBI600 | 172 | PLT3030 | 62-84 |
| PL22080 | 138 | PLBI800 | 172 | PLT4020 | 62-84 |
| PLA6040 | 26 | PLBI1000 | 172 | PLT4030 | 62-84 |
| PLA16550 | 128-131 | PLBI1200 | 172 | PLT4040 | 62-84 |
| PLA16560 | 128-131 | PLBI1600 | 172 | PLT5020 | 62 |
| PLA18040 | 128-131 | PLC450 | 329 | PLT5030 | 62 |
| PLA18050 | 128-131 | PLC600 | 329 | PLT6020 | 62 |
| PLA18060 | 128-131 | PLC1650 | 139 | PLT6030 | 62 |
| PLA20040 | 128-131 | PLC1800 | 139 | PLT6040 | 62 |
| PLA20050 | 128-131 | PLC2000 | 139 | PLT8020 | 62 |
| PLA20060 | 128-131 | PLC2200 | 139 | PLT8040 | 62 |
| PLA20080 | 128-131 | PLCE3050 | 150 | PLU2520 | 34 |
| PLA200100 | 128-131 | PLCE3060 | 150 | PLU2525 | 34 |
| PLA22060 | 128-131 | PLCE3080 | 150 | PLU3020 | 34-79 |
| PLA22080 | 128-131 | PLCE4050 | 150 | PLU3025 | 34-79 |
| PLA220100 | 128-131 | PLCE4060 | 150 | PLU3030 | 34-79 |
| PLB2520 | 33 | PLCE4080 | 150 | PLU3040 | 34 |
| PLB2525 | 33 | PLM200 | 329-345 | PLU4030 | 34-79 |
| PLB3020 | 33-78 | PLM300 | 329-345 | PLU4040 | 34-79 |
| PLB3025 | 33-78 | PLM400 | 329 | PLU4060 | 34-79 |
| PLB3030 | 33-78 | PLM850 | 329 | PLU5030 | 34 |
| PLB3040 | 33 | PLM1050 | 329 | PLU5040 | 34-79 |
| PLB4030 | 33-78 | PLM1250 | 329 | PLU5050 | 34 |
| PLB4040 | 33-78 | PLM1600 | 345 | PLU5070 | 34 |
| PLB4060 | 33-78 | PLM1900 | 345 | PLU6040 | 34-79 |
| PLB5030 | 33 | PLP2040 | 138 | PLU6050 | 34-79 |
| PLB5040 | 33-78 | PLP2060 | 138 | PLU6060 | 34-79 |
| PLB5050 | 33 | PLP2080 | 138 | PLU6080 | 34 |
| PLB5070 | 33 | PLP20100 | 138 | PLU7050 | 34-79 |
| PLB6040 | 33-78 | PLP20120 | 138 | PLU8040 | 34 |
| PLB6050 | 33-78 | PLP3040 | 138 | PLU8060 | 34-79 |
| PLB6060 | 33-78 | PLP3060 | 138 | PLU8080 | 34-79 |
| PLB6080 | 33 | PLP3080 | 138 | PLU80100 | 34 |
| PLB7050 | 33-78 | PLP30100 | 138 | PLU80120 | 34 |

QUICK SEARCH

| Reference No. | Page |
|---------------|-------------|
| PLU10060 | 34 |
| PLU10080 | 34-79 |
| PLU100100 | 34 |
| PLU100120 | 34 |
| PLU12060 | 34 |
| PLU12080 | 34 |
| PLU12090 | 34 |
| PLU120100 | 34 |
| PLU120120 | 34 |
| PMB400 | 156 |
| PMB500 | 156 |
| PMB600 | 156 |
| PMB800 | 156 |
| PMB1000 | 156 |
| PMCB200 | 319-326-339 |
| PMCB250 | 319-326-339 |
| PMCB300 | 319-326-339 |
| PMCB350 | 319-326-339 |
| PME400 | 156 |
| PME500 | 156 |
| PME600 | 156 |
| PME800 | 156 |
| PME1000 | 156 |
| PME1200 | 156 |
| PME1650 | 156 |
| PME1800 | 156 |
| PME2000 | 156 |
| PMER400 | 156 |
| PMER500 | 156 |
| PMER600 | 156 |
| PMER800 | 156 |
| PMER1000 | 156 |
| PMER1200 | 156 |
| PMER1600 | 156 |
| PMES400 | 157 |
| PMES500 | 157 |
| PMES600 | 157 |
| PMES800 | 157 |
| PMES1000 | 157 |
| PMH400 | 175 |
| PMH500 | 175 |
| PMHR400 | 158 |
| PMHR500 | 158 |
| PMHR600 | 158 |
| PMHR800 | 158 |
| PMHR1000 | 158 |
| PMHR1200 | 158 |
| PMI400 | 157 |
| PMI500 | 157 |
| PMI600 | 157 |
| PMI800 | 157 |
| PMI1000 | 157 |
| PMI1200 | 157 |
| PMI1650 | 157 |
| PMI1800 | 157 |
| PMI2000 | 157 |
| PMIR400 | 157 |
| PMIR500 | 157 |
| PMIR600 | 157 |

| Reference No. | Page |
|---------------|-------|
| PMIR800 | 157 |
| PMIR1000 | 157 |
| PMIR1200 | 157 |
| PMIR1600 | 157 |
| PML3025 | 94 |
| PML32 | 104 |
| PML33 | 104 |
| PML34 | 104 |
| PML4030 | 94 |
| PML4040 | 94 |
| PML42 | 104 |
| PML44 | 104 |
| PML5040 | 94 |
| PML5050 | 96 |
| PML6040 | 94 |
| PML6050 | 94 |
| PML63 | 104 |
| PML64 | 104 |
| PML66 | 104 |
| PML7550 | 96 |
| PML8060 | 94 |
| PML84 | 104 |
| PML86 | 104 |
| PML10050 | 96 |
| PML10075 | 96 |
| PML100100 | 96 |
| PML12550 | 96 |
| PML12575 | 96 |
| PML125100 | 96 |
| PML125125 | 96 |
| PMP300 | 44-83 |
| PMP400 | 44-83 |
| PMP500 | 44-83 |
| PMP600 | 44-83 |
| PMP800 | 44-83 |
| PMP900 | 44 |
| PMP1000 | 44 |
| PMP1200 | 44 |
| PMR19/10U | 136 |
| PMR19/15U | 175 |
| PMT600 | 175 |
| PMT800 | 175 |
| PMT1000 | 175 |
| PMT1200 | 175 |
| PMT1600 | 175 |
| PMU3025 | 94 |
| PMU4030 | 94 |
| PMU5040 | 94 |
| PMU6040 | 94 |
| PMU8060 | 94 |
| PMV700 | 175 |
| PO2520 | 43 |
| PO2525 | 43 |
| PO3020 | 43-82 |
| PO3025 | 43-82 |
| PO3030 | 43-82 |
| PO3040 | 43 |
| PO4030 | 43-82 |
| PO4040 | 43-82 |

| Reference No. | Page |
|----------------|---------|
| P04060 | 43-82 |
| P040EMP48-72 | 330 |
| P040EMP72-96 | 330 |
| P040EMP96-120 | 330 |
| P040EMP120-168 | 330 |
| P040EMP144-192 | 330 |
| P040ENL192 | 346 |
| P040ENL216 | 346 |
| P040SUP48-72 | 320-330 |
| P040SUP72-96 | 320-330 |
| P040SUP96-120 | 320-330 |
| P040SUP120-168 | 320-330 |
| P040SUP144-192 | 320-330 |
| P05030 | 43 |
| P05040 | 43-82 |
| P05050 | 43 |
| P05070 | 43 |
| P05080 | 43 |
| P050100/PD | 43 |
| P055SUP192 | 346 |
| P055SUP216 | 346 |
| P06040 | 43-82 |
| P06050 | 43-82 |
| P06060 | 43-82 |
| P06080 | 43 |
| P060120/PD | 43 |
| P065SUP48-72 | 330 |
| P065SUP72-96 | 330 |
| P065SUP96-120 | 330 |
| P065SUP120-168 | 330 |
| P065SUP144-192 | 330 |
| P07050 | 43-82 |
| P08040 | 43 |
| P08060 | 43-82 |
| P08080 | 43-82 |
| P080100 | 43 |
| P080100/PD | 43 |
| P080120/PD | 43 |
| P010060 | 43 |
| P010080 | 43-82 |
| P0100100 | 43 |
| P0100100/PD | 43 |
| P0100120/PD | 43 |
| P012060 | 43 |
| P012080 | 43 |
| P012090 | 43 |
| P0120100 | 43 |
| P0120100/PD | 43 |
| P0120120 | 43 |
| P0120120/PD | 43 |
| P014060 | 43 |
| P014080 | 43 |
| P0140100 | 43 |
| P0140100/PD | 43 |
| P0140120/PD | 43 |
| P016560 | 132-160 |
| P016580 | 132-160 |
| P0165100 | 132-160 |
| P018030 | 132-160 |

QUICK SEARCH

| Reference No. | Page | Reference No. | Page | Reference No. | Page |
|---------------|---------|---------------|---------|----------------|---------|
| PO18040 | 132-160 | POL1257530 | 92 | PPL125100 | 96 |
| PO18060 | 132-160 | POL1257530/A | 92 | PPL125125 | 96 |
| PO18080 | 132-160 | POL1257530/T | 93 | PS800 | 170 |
| PO180100 | 132-160 | POL1257542 | 92 | PS1000 | 170 |
| PO20030 | 132-160 | POL1257542/A | 92 | PS1200 | 170 |
| PO20040 | 132-160 | POL1257542/T | 93 | PS1600 | 170 |
| PO20060 | 132-160 | POL12510030 | 92 | PSC600 | 170 |
| PO20080 | 132-160 | POL12510030/A | 92 | PSC800 | 170 |
| PO200100 | 132-160 | POL12510030/T | 93 | PSC1000 | 170 |
| PO22030 | 132-160 | POL12510042 | 92 | PSC1200 | 170 |
| PO22040 | 132-160 | POL12510042/A | 92 | PSC1600 | 170 |
| PO22060 | 132-160 | POL12510042/T | 93 | PSI3040 | 130 |
| PO22080 | 132-160 | POL12512530 | 92 | PSI3050 | 130 |
| PODCS165100 | 132-160 | POL12512530/A | 92 | PSI3060 | 130 |
| PODCS165120 | 132-160 | POL12512530/T | 93 | PSI3080 | 130 |
| PODCS180100 | 132-160 | POL12512542 | 92 | PSI4040 | 130 |
| PODCS180120 | 132-160 | POL12512542/A | 92 | PSI4050 | 130 |
| PODCS180160 | 132-160 | POL12512542/T | 93 | PSI4060 | 130 |
| PODCS200100 | 132-160 | POME1810 | 346 | PSI4080 | 130 |
| PODCS200120 | 132-160 | POME2110 | 346 | PSI6040 | 130 |
| PODCS200160 | 132-160 | PPAP600 | 116-158 | PSI6050 | 130 |
| POL302514 | 90 | PPAP800 | 158 | PSI6060 | 130 |
| POL302514PT | 90 | PPAP800X | 116-158 | PSI6080 | 130 |
| POL403020 | 90 | PPAP1000 | 158 | PSI60100 | 130 |
| POL403020PT | 90 | PPAP1000X | 116-158 | PSI8040 | 130 |
| POL404020 | 90 | PPI400 | 158 | PSI8050 | 130 |
| POL404020PT | 90 | PPI500 | 158 | PSI8060 | 130 |
| POL504020 | 90 | PPI600 | 158 | PSI8080 | 130 |
| POL504020PT | 90 | PPI800 | 158 | PSI80100 | 130 |
| POL505030 | 92 | PPIN4030 | 94 | PSI10040 | 130 |
| POL505030/A | 92 | PPIN4040 | 94 | PSI10050 | 130 |
| POL505030/T | 93 | PPIN5040 | 94 | PSI10060 | 130 |
| POL604023 | 90 | PPIN6040 | 94 | PSI10080 | 130 |
| POL604023PT | 90 | PPIN6050 | 94 | PSI12040 | 130 |
| POL605023 | 90 | PPIN8060 | 94 | PSI12050 | 130 |
| POL605023PT | 90 | PPL3025 | 94 | PSI12060 | 130 |
| POL755030 | 92 | PPL32 | 104 | PSI12080 | 130 |
| POL755030/A | 92 | PPL33 | 104 | PSI16040 | 130 |
| POL755030/T | 93 | PPL34 | 104 | PSI16050 | 130 |
| POL806030 | 90 | PPL4030 | 94 | PT16560 | 160 |
| POL806030PT | 90 | PPL4040 | 94 | PT16580 | 160 |
| POL1005030 | 92 | PPL42 | 104 | PT18060 | 160 |
| POL1005030/A | 92 | PPL44 | 104 | PT18080 | 160 |
| POL1005030/T | 93 | PPL5040 | 94 | PT20060 | 160 |
| POL1007530 | 92 | PPL5050 | 96 | PT20080 | 160 |
| POL1007530/A | 92 | PPL6040 | 94 | PT200100 | 160 |
| POL1007530/T | 93 | PPL6050 | 94 | PT22080 | 160 |
| POL1007542 | 92 | PPL63 | 104 | PT40EMP48-72 | 330 |
| POL1007542/A | 92 | PPL64 | 104 | PT40EMP72-96 | 330 |
| POL1007542/T | 93 | PPL66 | 104 | PT40EMP96-120 | 330 |
| POL10010030 | 92 | PPL7550 | 96 | PT40EMP120-168 | 330 |
| POL10010030/A | 92 | PPL8060 | 94 | PT40EMP144-192 | 330 |
| POL10010030/T | 93 | PPL84 | 104 | PT40ENL192 | 346 |
| POL10010042 | 92 | PPL86 | 104 | PT40ENL216 | 346 |
| POL10010042/A | 92 | PPL10050 | 96 | PT40SUP48-72 | 320-330 |
| POL10010042/T | 93 | PPL10075 | 96 | PT40SUP72-96 | 320-330 |
| POL1255030 | 92 | PPL100100 | 96 | PT40SUP96-120 | 320-330 |
| POL1255030/A | 92 | PPL12550 | 96 | PT40SUP120-168 | 320-330 |
| POL1255030/T | 93 | PPL12575 | 96 | PT40SUP144-192 | 320-330 |

QUICK SEARCH

| Reference No. | Page |
|----------------|------|
| PT55SUP192 | 346 |
| PT55SUP216 | 346 |
| PT65SUP48-72 | 330 |
| PT65SUP72-96 | 330 |
| PT65SUP96-120 | 330 |
| PT65SUP120-168 | 330 |
| PT65SUP144-192 | 330 |
| PTDCA165100 | 161 |
| PTDCA165120 | 161 |
| PTDCA180100 | 161 |
| PTDCA180120 | 161 |
| PTDCA200100 | 161 |
| PTDCA200120 | 161 |
| PTDCA220100 | 161 |
| PTDCA220120 | 161 |
| PTDCS165100 | 161 |
| PTDCS165120 | 161 |
| PTDCS180100 | 161 |
| PTDCS180120 | 161 |
| PTDCS200100 | 161 |
| PTDCS200120 | 161 |
| PTDCS220100 | 161 |
| PTDCS220120 | 161 |
| PV1650 | 130 |
| PV1800 | 130 |
| PV2000 | 130 |
| PV2200 | 130 |
| PVB1650 | 158 |
| PVB1800 | 158 |
| PVB2000 | 158 |
| RC15SV | 190 |
| RC30SV | 190 |
| RC60SV | 190 |
| RC75SV | 191 |
| RC100SV | 191 |
| RC150SV | 191 |
| RC250CV | 192 |
| RC500CV | 192 |
| RF93 | 188 |
| RF123 | 188 |
| RF222 | 189 |
| RF290 | 189 |
| ROC32APO | 102 |
| ROC32APT | 102 |
| ROC32PO | 102 |
| ROC32PT | 102 |
| ROC33PO | 102 |
| ROC33PT | 102 |
| ROC34APO | 102 |
| ROC34APT | 102 |
| ROC34PO | 102 |
| ROC34PT | 102 |
| ROC42PO | 102 |
| ROC42PT | 102 |
| ROC44APO | 102 |
| ROC44APT | 102 |
| ROC44PO | 102 |
| ROC44PT | 102 |
| ROC63APO | 102 |

| Reference No. | Page |
|---------------|-------------|
| ROC63APT | 102 |
| ROC63PO | 102 |
| ROC63PT | 102 |
| ROC64PO | 102 |
| ROC64PT | 102 |
| ROC64APO | 102 |
| ROC64APT | 102 |
| ROC66APO | 102 |
| ROC66APT | 102 |
| ROC66PO | 102 |
| ROC66PT | 102 |
| ROC84PO | 102 |
| ROC84PT | 102 |
| ROC86PO | 102 |
| ROC86PT | 102 |
| S48M200 | 320-321-322 |
| S48P200 | 320-321-322 |
| S72M150 | 320-321-322 |
| S72M200 | 320-321-322 |
| S72P150 | 320-321-322 |
| S72P200 | 320-321-322 |
| S96M150 | 320-321-322 |
| S96M200 | 320-321-322 |
| S96P150 | 320-321-322 |
| S96P200 | 320-321-322 |
| S120M150 | 320-321-322 |
| S120M200 | 320-321-322 |
| S120P150 | 320-321-322 |
| S120P200 | 320-321-322 |
| S144M200 | 320-321-322 |
| S144P200 | 320-321-322 |
| S168M150 | 320-321-322 |
| S168P150 | 320-321-322 |
| S192M150 | 320-321-322 |
| S192P150 | 320-321-322 |
| SBF19 | 152 |
| SIL14PO | 311 |
| SIL14PO/PH | 310 |
| SIL28PO | 311 |
| SIL28PO/PH | 310 |
| SIL42PO | 311 |
| SIL42PO/PH | 310 |
| SIL56PO | 311 |
| SIL56PO/PH | 310 |
| SIL70PO | 311 |
| SIL70PO/PH | 310 |
| SP150 | 34-79 |
| SP200 | 34-79 |
| SP250 | 34-79 |
| SP300 | 34-79 |
| SP400 | 34-79 |
| SV4100 | 137 |
| T06 | 38-63 |
| T07 | 38-63 |
| T08 | 38-63 |
| T09 | 38-63 |
| T11 | 38-63 |
| T12 | 38-63 |
| T13 | 38-63 |

| Reference No. | Page |
|---------------|-------------|
| T14 | 39 |
| T15 | 39 |
| T16 | 39 |
| T17 | 39 |
| TC50 | 319-326-339 |
| TC150 | 319-326-339 |
| TC200 | 319-326-339 |
| TCA1560 | 147 |
| TCA1580 | 147 |
| TCA2060 | 147 |
| TCA2080 | 147 |
| TCA20100 | 147 |
| TCA3060 | 147 |
| TCA3080 | 147 |
| TCA4060 | 147 |
| TCA4080 | 147 |
| TCA6060 | 147 |
| TCA6080 | 147 |
| TCB1U | 154 |
| TCB2U | 154 |
| TCB3U | 154 |
| TCB4U | 154 |
| TCB6U | 154 |
| TCB9U | 154 |
| TCB10U | 154 |
| TCB12U | 154 |
| TCF0560 | 146 |
| TCF0580 | 146 |
| TCF05100 | 146 |
| TCF1060 | 146 |
| TCF1080 | 146 |
| TCF10100 | 146 |
| TCF1560 | 146 |
| TCF1580 | 146 |
| TCF15100 | 146 |
| TCF2060 | 146 |
| TCF2080 | 146 |
| TCF20100 | 146 |
| TCF3030 | 149 |
| TCF3040 | 149 |
| TCF3060 | 146 |
| TCF3080 | 146 |
| TCF30100 | 146 |
| TCF4030 | 149 |
| TCF4040 | 149 |
| TCF4060 | 146 |
| TCF4080 | 146 |
| TCF40100 | 146 |
| TCF6030 | 149 |
| TCF6040 | 149 |
| TCF6060 | 146 |
| TCF6080 | 146 |
| TCF60100 | 146 |
| TCF16030 | 149 |
| TCF16040 | 149 |
| TCF18030 | 149 |
| TCF18040 | 149 |
| TCFL13 | 39 |
| TCFL21 | 38-63 |

QUICK SEARCH

| Reference No. | Page |
|---------------|-------------|
| TCM50F | 319-326-339 |
| TCM150F | 319-326-339 |
| TCM200F | 319-326-339 |
| TCM300F | 319-326-339 |
| TCM400F | 319-326-339 |
| TD03 | 193 |
| TEJ2015 | 40 |
| TEJ2515 | 40 |
| TEJ2520 | 40 |
| TEJ3015 | 40 |
| TEJ3020 | 40 |
| TEJ3025 | 40 |
| TEJ4015 | 40 |
| TEJ4020 | 40 |
| TEJ4025 | 40 |
| TEJ4030 | 40 |
| TEJ5015 | 40 |
| TEJ5020 | 40 |
| TEJ5025 | 40 |
| TEJ5030 | 40 |
| TEJ6020 | 40 |
| TEJ6025 | 40 |
| TEJ6030 | 40 |
| TEJ6040 | 40 |
| TEJ7020 | 40 |
| TEJ8020 | 40 |
| TEJ8025 | 40 |
| TEJ8030 | 40 |
| TEJ8040 | 40 |
| TEJ10020 | 40 |
| TEJ10025 | 40 |
| TEJ10030 | 40 |
| TEJ10040 | 40 |
| TEJ12025 | 40 |
| TEJ12030 | 40 |
| TEJ12040 | 40 |
| TF0820 | 39 |
| TF0830 | 39 |
| TF1423 | 38 |
| TF1430 | 38 |
| TF1440 | 38 |
| TF1450 | 38 |
| TF1470 | 38 |
| TF1490 | 38 |
| TFL13 | 39 |
| TFL21 | 38-63 |
| TLZCL1040 | 155-174 |
| TLZCL1050 | 155-174 |
| TLZCL1060 | 155 |
| TLZCL1080 | 155 |
| TLZCL10100 | 155 |
| TLZCL2040 | 155-174 |
| TLZCL2050 | 155-174 |
| TLZCL2060 | 155 |
| TLZCL2080 | 155 |
| TLZCL20100 | 155 |
| TM150 | 319-326-339 |
| TM200 | 319-326-339 |
| TMA1560 | 146 |

| Reference No. | Page |
|---------------|-------------|
| TMA1580 | 146 |
| TMA15100 | 146 |
| TMA2060 | 146 |
| TMA2080 | 146 |
| TMA20100 | 146 |
| TMA3060 | 146 |
| TMA3080 | 146 |
| TMA30100 | 146 |
| TMA4060 | 146 |
| TMA4080 | 146 |
| TMA40100 | 146 |
| TMB3U | 154 |
| TMCB200 | 319-326-339 |
| TMCB250 | 319-326-339 |
| TMCB300 | 319-326-339 |
| TMCB400 | 319-326-339 |
| TMF1560 | 146 |
| TMF1580 | 146 |
| TMF15100 | 146 |
| TMF2060 | 146 |
| TMF2080 | 146 |
| TMF20100 | 146 |
| TMF3060 | 146 |
| TMF3080 | 146 |
| TMF30100 | 146 |
| TMF4060 | 146 |
| TMF4080 | 146 |
| TMF40100 | 146 |
| TMM150F | 319-326-339 |
| TMM200F | 319-326-339 |
| TMM300F | 319-326-339 |
| TMM400F | 319-326-339 |
| TS01 | 193 |
| TS02 | 193 |
| TS0815 | 37 |
| TS0820 | 37 |
| TS0830 | 37 |
| TS1423 | 37 |
| TS1430 | 37 |
| TS1440 | 37 |
| TS1450 | 37 |
| TS1470 | 37 |
| TS1490 | 37 |
| TVN6040 | 164 |
| TVN6050 | 164 |
| TVN6060 | 164 |
| TVN6080 | 164 |
| TVN8040 | 164 |
| TVN8050 | 164 |
| TVN8060 | 164 |
| TVN8080 | 164 |
| TVN10040 | 164 |
| TVN10050 | 164 |
| TVN10060 | 164 |
| TVN10080 | 164 |
| TVN12040 | 164 |
| TVN12050 | 164 |
| TVN12060 | 164 |
| TVN12080 | 164 |

| Reference No. | Page |
|---------------|---------|
| TVN16040 | 164 |
| TVN16050 | 164 |
| VF34AC | 178 |
| VF60DC | 184 |
| VF92AC | 179 |
| VF113DC | 185 |
| VF224AC | 180 |
| VF245DC | 186 |
| VF280AC | 181 |
| VF637AC | 182 |
| VF1395AC | 183 |
| VT484 | 187 |
| VT730 | 187 |
| VT1020 | 187 |
| ZCL1030 | 155 |
| ZCL1040 | 155 |
| ZCL1050 | 155 |
| ZCL1060 | 155-174 |
| ZCL1080 | 155-174 |
| ZCL10100 | 155-174 |
| ZCL10120 | 155-174 |
| ZCL10160 | 155-174 |
| ZCL2030 | 155 |
| ZCL2040 | 155 |
| ZCL2050 | 155 |
| ZCL2060 | 155-174 |
| ZCL2080 | 155-174 |
| ZCL20100 | 155-174 |
| ZCL20120 | 155-174 |
| ZCL20160 | 155-174 |
| ZCL2T1040 | 155 |
| ZCL2T1050 | 155 |
| ZCL2T1060 | 155-174 |
| ZCL2T1080 | 155-174 |
| ZCL2T10100 | 155-174 |
| ZCL2T10120 | 155-174 |
| ZCLA106020 | 36 |
| ZCLA106025 | 36 |
| ZCLA106030 | 36 |
| ZCLA106040 | 36 |
| ZCLA108020 | 36 |
| ZCLA108025 | 36 |
| ZCLA108030 | 36 |
| ZCLA108040 | 36 |
| ZCLA1010025 | 36 |
| ZCLA1010030 | 36 |
| ZCLA1010040 | 36 |
| ZCLA1012025 | 36 |
| ZCLA1012030 | 36 |
| ZCLA1012040 | 36 |
| ZCLA206020 | 36 |
| ZCLA206025 | 36 |
| ZCLA206030 | 36 |
| ZCLA206040 | 36 |
| ZCLA208020 | 36 |
| ZCLA208025 | 36 |
| ZCLA208030 | 36 |
| ZCLA208040 | 36 |
| ZCLA2010025 | 36 |

QUICK SEARCH

| Reference No. | Page |
|---------------|------|
| ZCLA2010030 | 36 |
| ZCLA2010040 | 36 |
| ZCLA2012025 | 36 |
| ZCLA2012030 | 36 |
| ZCLA2012040 | 36 |
| ZCLV2040 | 154 |
| ZCLV2050 | 154 |
| ZCLV2060 | 154 |
| ZCLV2080 | 154 |
| ZCLV20100 | 154 |
| ZCLV20120 | 154 |
| ZOC5030/P | 97 |
| ZOC7530/P | 97 |
| ZOC7542/P | 97 |
| ZOC10030/P | 97 |
| ZOC10042/P | 97 |
| ZOC12530/P | 97 |
| ZOC12542/P | 97 |

CONDITIONS OF SALE

Conditions of Sale

These Conditions of Sale apply to all orders sent directly to **IDE ELECTRIC S.L.**'s main office. They also apply to orders placed with any Agent or Representative authorized by **IDE ELECTRIC S.L.**

Sales prices will be the ones in force at the time of the order specified in a duly identified Price List. Benefits and discounts agreed to in each case will also be applied.

Our prices include standard packaging. Orders must always be multiple of IDE's standard packaging units. **IDE ELECTRIC S.L.** may use its right to modify units of any reference requested if they do not correspond to packaging multiples.

Prices are quoted EX-WORKS. Any other conditions must be agreed to between the customer and **IDE ELECTRIC S.L.** Minimum order requirement €3,000.

For orders less than €3,000 **IDE ELECTRIC, S.L.** reserves the right to apply an administrative fee or even not to accept the order.

Goods will be delivered as soon as possible depending on the availability of the requested products. Partial shipments may be allowed for urgent deliveries. **IDE ELECTRIC, S.L.** is not liable for any possible loss or damage of goods in transit. In-transit damage must be confirmed by the client immediately, as otherwise there will be no entitlement to compensation.

Returned material must always be authorized by the Commercial Department of **IDE ELECTRIC S.L.** Authorized returns should be delivered carriage free for us to our warehouse. In any case, returns should be made within a maximum period of 30 days as of the order date unless there is a special agreement. All returned goods will have a minimum depreciation of 20% in their value due to our internal review and restocking process. This depreciation could be higher as a result of product conditions or handling requirements.

The established will be paid by the BUYER on the due date. If **IDE ELECTRIC S.L.** accepts any postponement of payment the BUYER undertakes to accept the resulting rates and expenses.

All goods delivered are the property of **IDE ELECTRIC S.L.** until fully payment has been made.

IDE ELECTRIC S.L. does not accept any economic penalty due to delivery delays unless there is a written and accepted agreement otherwise.

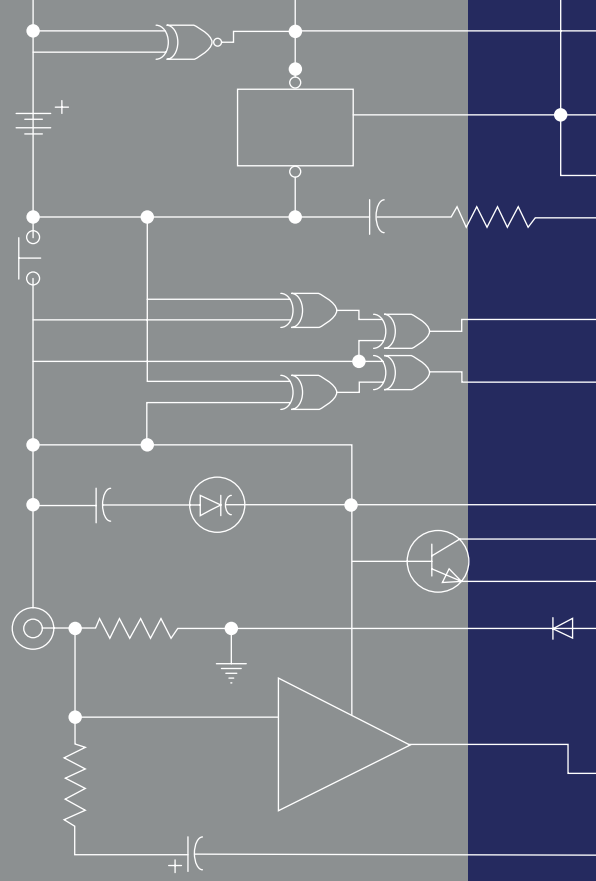
All goods manufactured by **IDE ELECTRIC S.L.** are GUARANTEED according to the current directives. In order to benefit from any such guarantee the BUYER should report the defect to **IDE ELECTRIC S.L.** immediately.

IDE ELECTRIC S.L. undertakes to replace defective goods free of charge, and **IDE ELECTRIC S.L.** will keep the defective goods to analyse and remedy the defects.

The GUARANTEE does not include products that have deteriorated through handling or inadequate assembly, improper storage or maintenance or products that have been modified in any way without the written authorisation of **IDE ELECTRIC S.L.**

In the event of litigation, the BUYER agrees to submit to the Jurisdiction of the Courts of Zaragoza, Spain, waiving any right it may have to another jurisdiction.

IDE ELECTRIC S.L. reserves the right to alter or modify references or characteristics of any of its products, if needed it by any technical improvement, standards modifications or logistic purposes, and without prior notification.



IDE ELECTRIC, S.L.

Head Office

Leonardo da Vinci 2
Pol. Ind. Los Huertos
E-50800 Zuera
Zaragoza (Spain)

Warehouse and logistics

Guttemberg 48
Pol. Ind. Los Huertos
E-50800 Zuera
Zaragoza (Spain)

Phone: +34 976 451 080

E-mail: ide@ide.es

Web: www.ide.es

